



US00D530287S

(12) **United States Design Patent** (10) **Patent No.:** **US D530,287 S**
Stolpe et al. (45) **Date of Patent:** **** Oct. 17, 2006**

(54) **CONTROL CABINET**

2004/0136165 A1 * 7/2004 Wang 361/727

(75) Inventors: **Johan Stolpe**, Vasteras (SE); **Sven-Eric Gunnarsson**, Vasteras (SE)

* cited by examiner

Primary Examiner—Selina Sikder

(73) Assignee: **ABB AB**, Vasteras (SE)

(74) *Attorney, Agent, or Firm*—Michael M. Rickin; Paul R. Katterle

(**) Term: **14 Years**

(57) **CLAIM**

(21) Appl. No.: **29/205,671**

We claim the ornamental design for the control cabinet, as shown.

(22) Filed: **May 19, 2004**

(30) **Foreign Application Priority Data**

Nov. 20, 2003 (SE) 03-1047

(51) **LOC (8) Cl.** **13-03**

(52) **U.S. Cl.** **D13/162; D13/164**

(58) **Field of Classification Search** D13/158,
D13/160, 162, 162.1, 184; D14/100, 102,
D14/240; 174/50, 52.1, 58; 312/223.1, 223.2;
220/3.8, 4.02, 3.2; 361/679, 692, 695, 724,
361/730

See application file for complete search history.

(56) **References Cited**

U.S. PATENT DOCUMENTS

- D269,605 S * 7/1983 Provanzano et al. D13/162.1
- 5,568,362 A * 10/1996 Hansson 361/736
- D375,942 S * 11/1996 Fursier et al. D13/184
- 6,467,640 B1 * 10/2002 Hung 220/4.02
- D473,196 S * 4/2003 Fujikura et al. D13/164
- 6,632,995 B1 * 10/2003 Knieriem 174/50

DESCRIPTION

FIG. 1 is a front and right side perspective view of a first embodiment for the control cabinet of the present invention; FIG. 2 is a front elevational view of the FIG. 1 cabinet; FIG. 3 is a left side elevational view of the FIG. 1 cabinet; FIG. 4 is a bottom plan view of the FIG. 1 cabinet; FIG. 5 is a right side elevational view of the FIG. 1 cabinet; FIG. 6 is a rear and right side perspective view of the FIG. 1 cabinet; FIG. 7 is a top plan view of the FIG. 1 cabinet; FIG. 8 is a front and right side perspective view of a second embodiment for the control cabinet of the present invention; FIG. 9 is a front elevational view of the FIG. 8 cabinet; FIG. 10 is a left side elevational view of the FIG. 8 cabinet; FIG. 11 is a bottom plan view of the FIG. 8 cabinet; FIG. 12 is a right side elevational view of the FIG. 8 cabinet; FIG. 13 is a rear and right side perspective view of the FIG. 8 cabinet; and, FIG. 14 is a top plan view of the FIG. 8 cabinet.

1 Claim, 7 Drawing Sheets

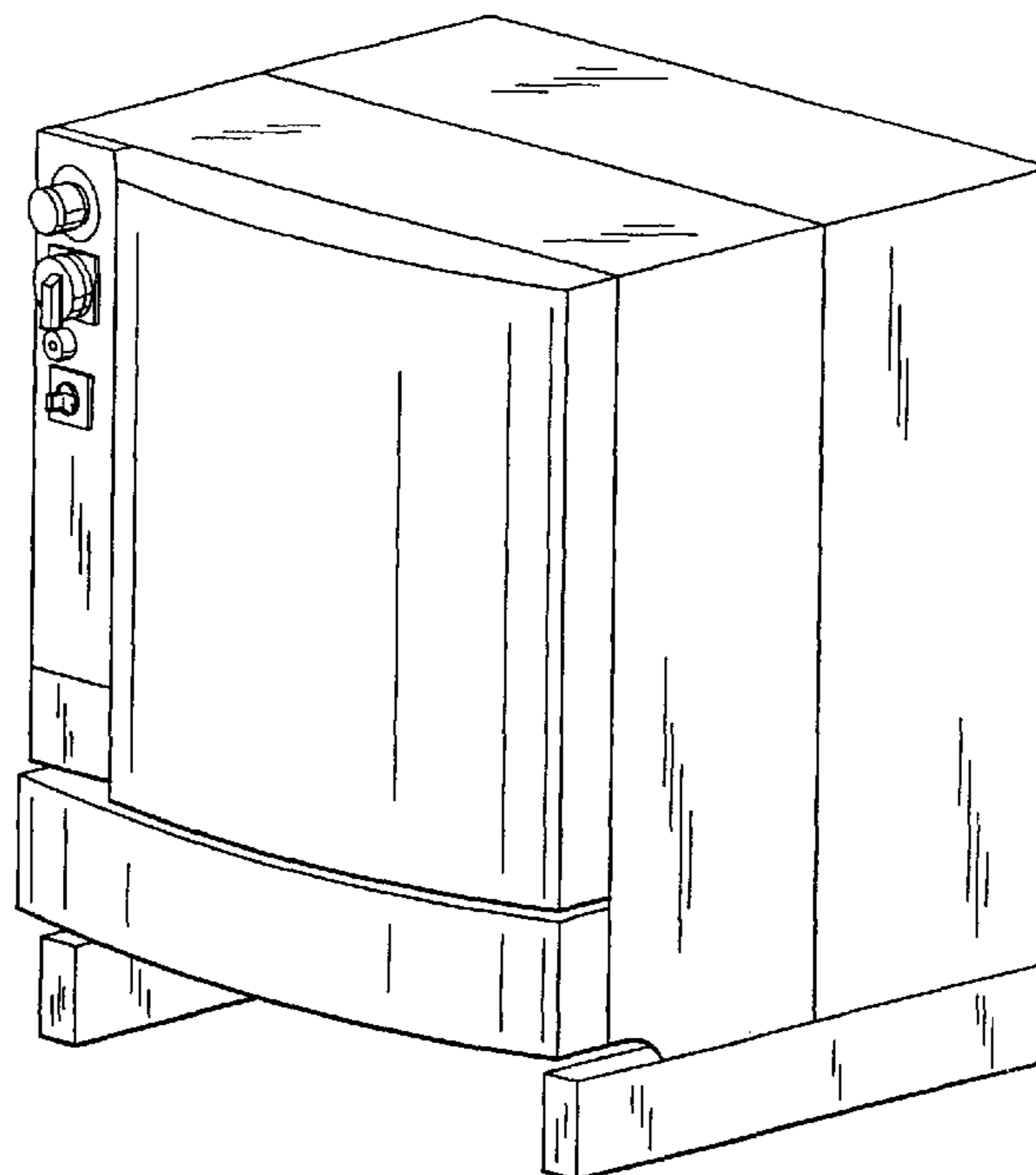


Fig.1

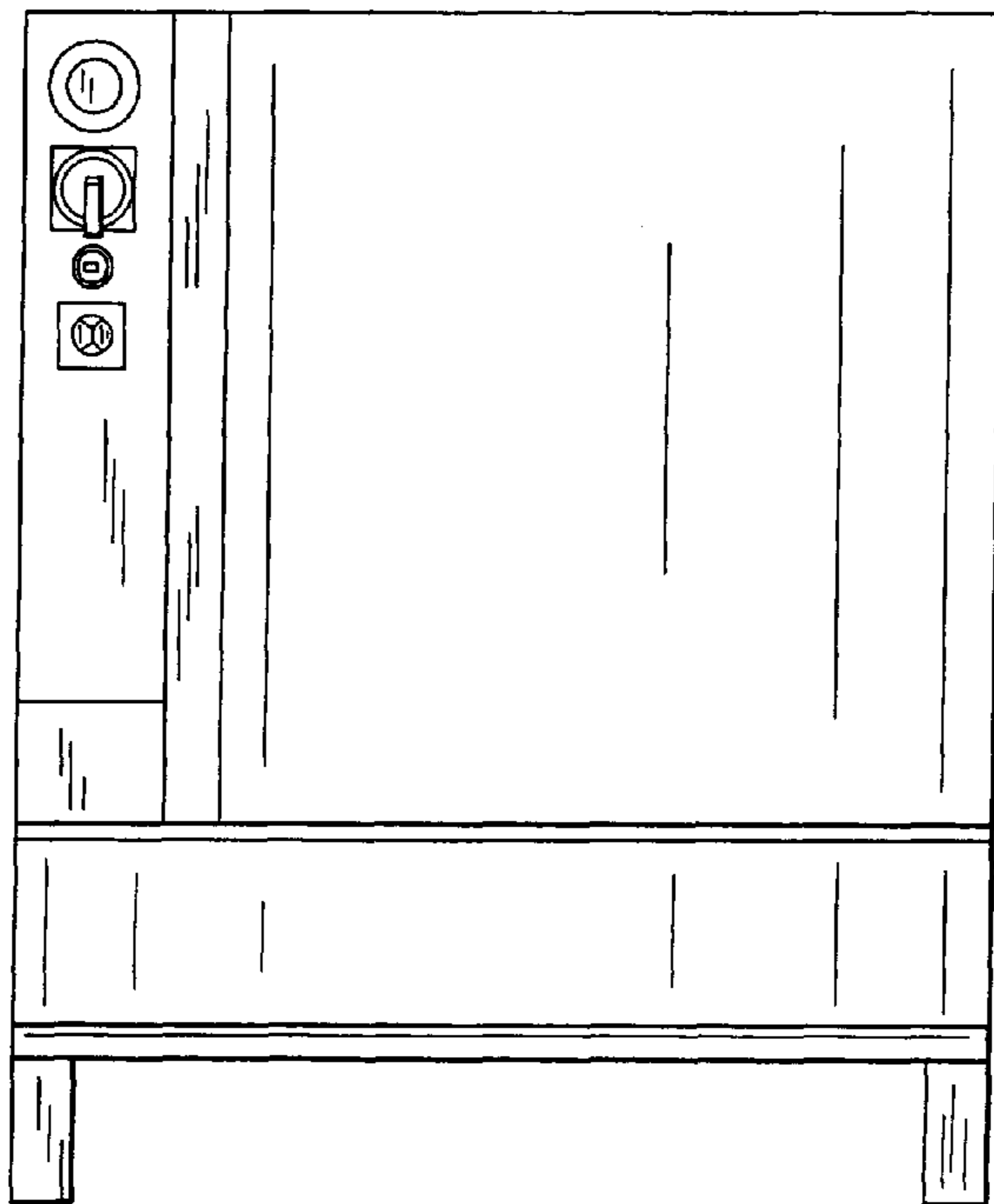
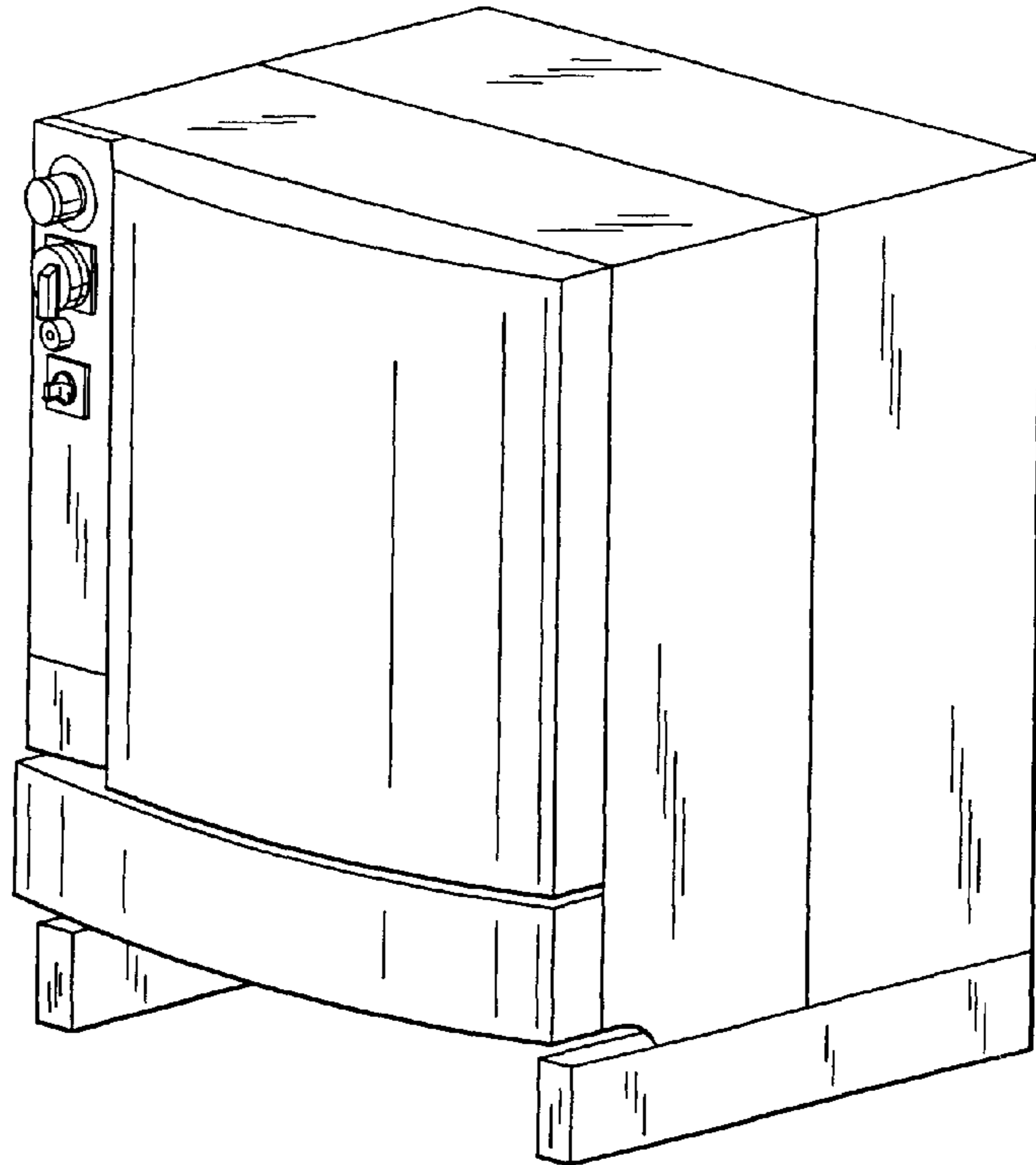


Fig.2

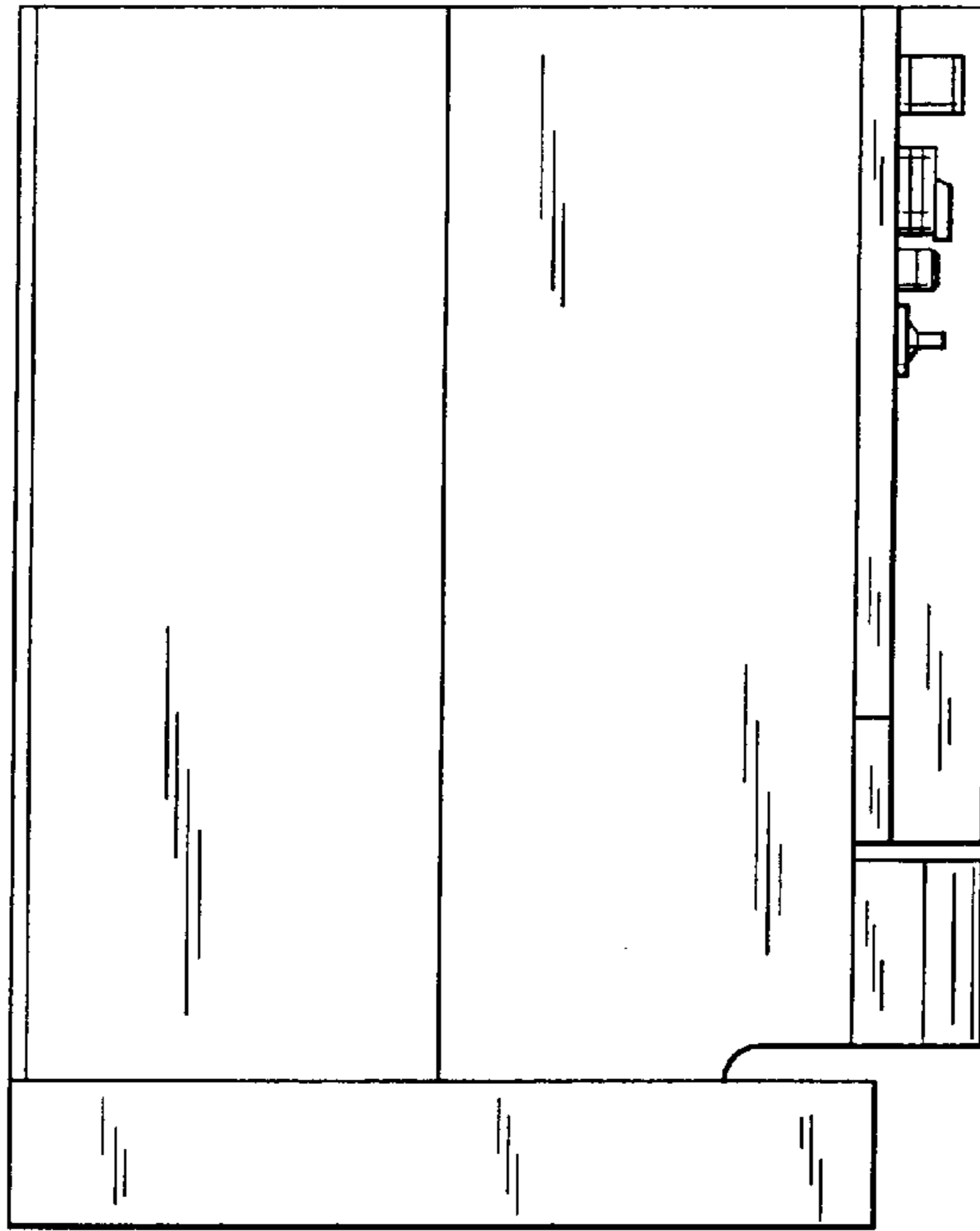


Fig.3

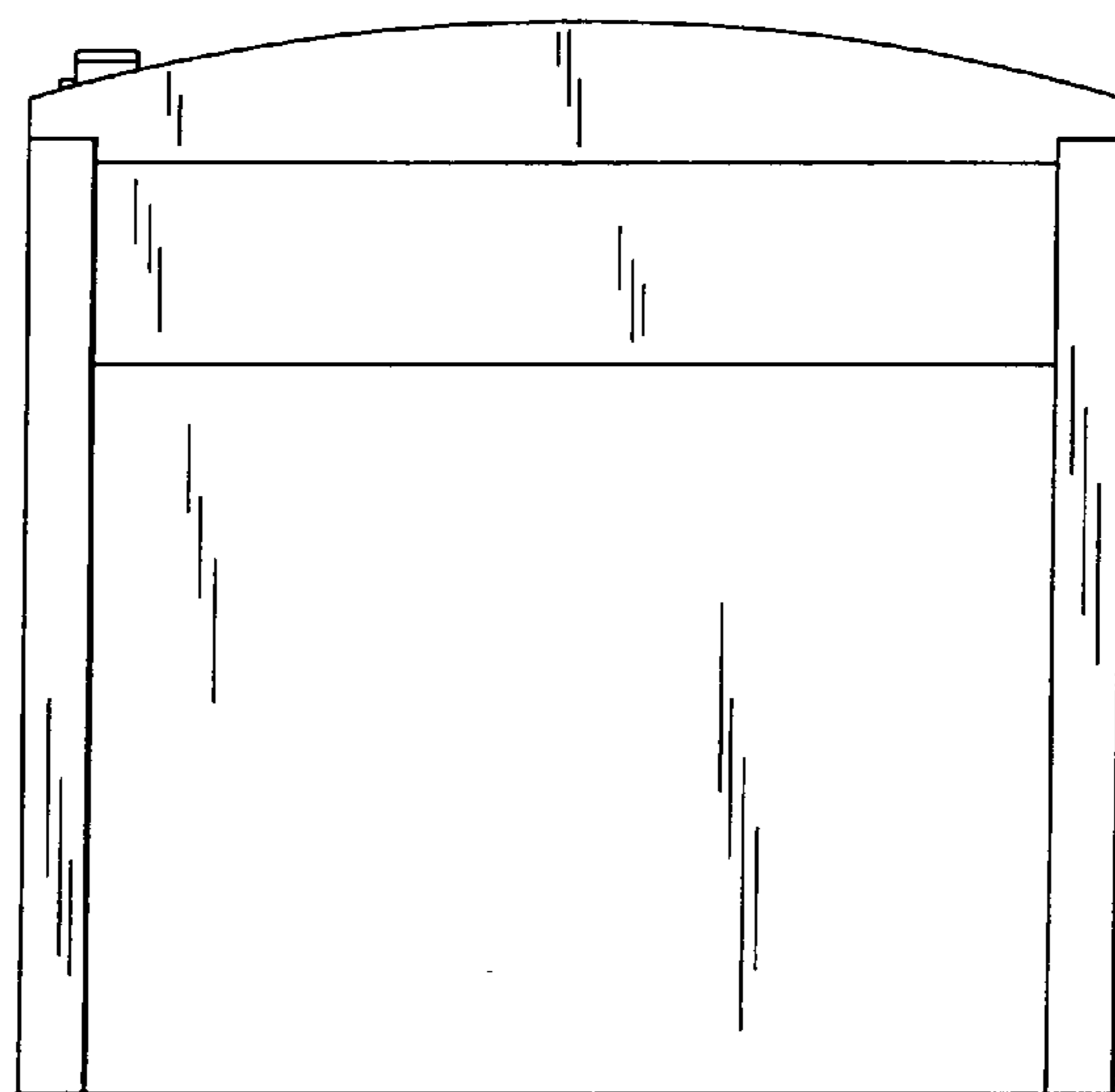


Fig.4

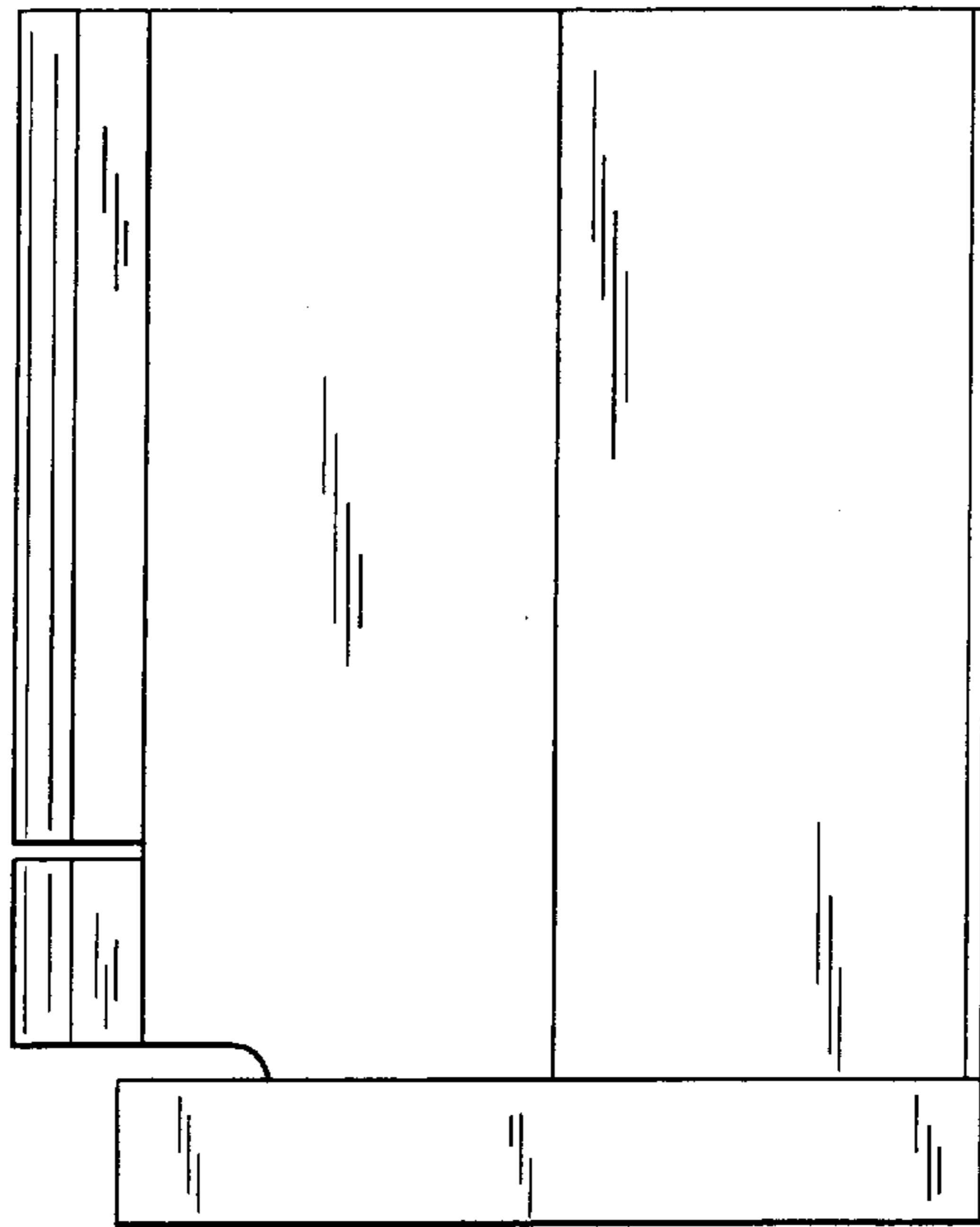


Fig.5

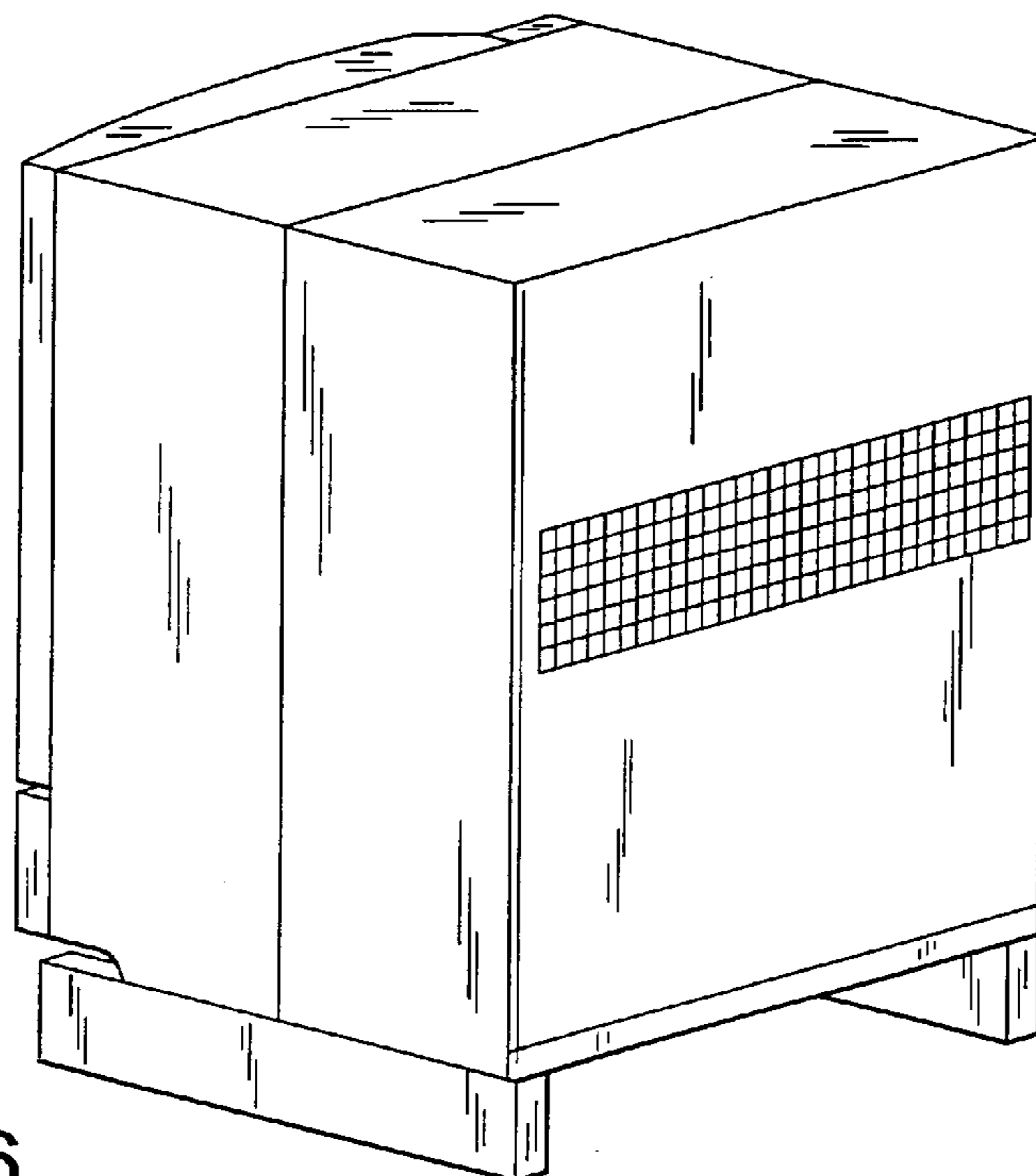


Fig.6

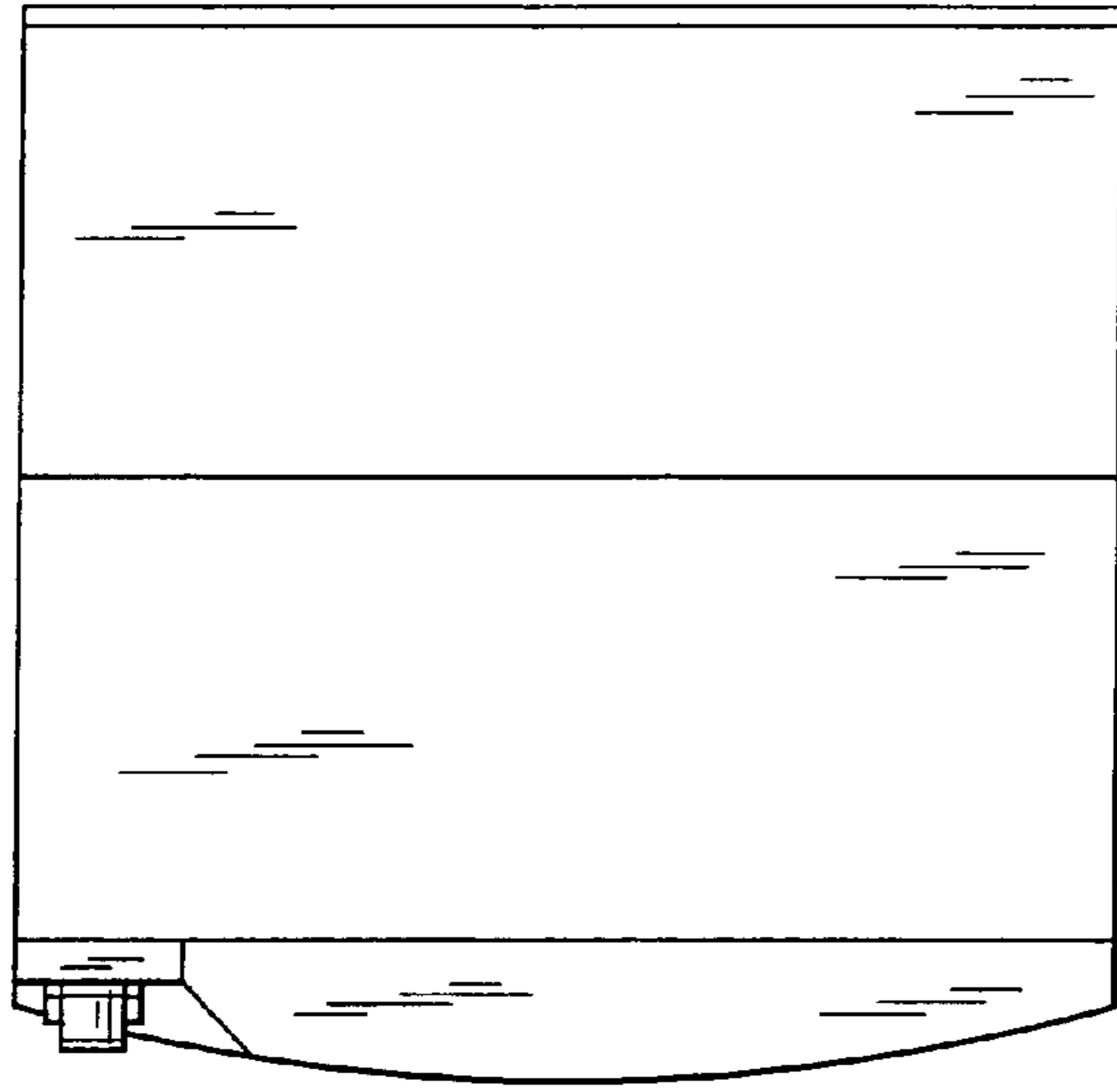


Fig.7



Fig.10

Fig.8

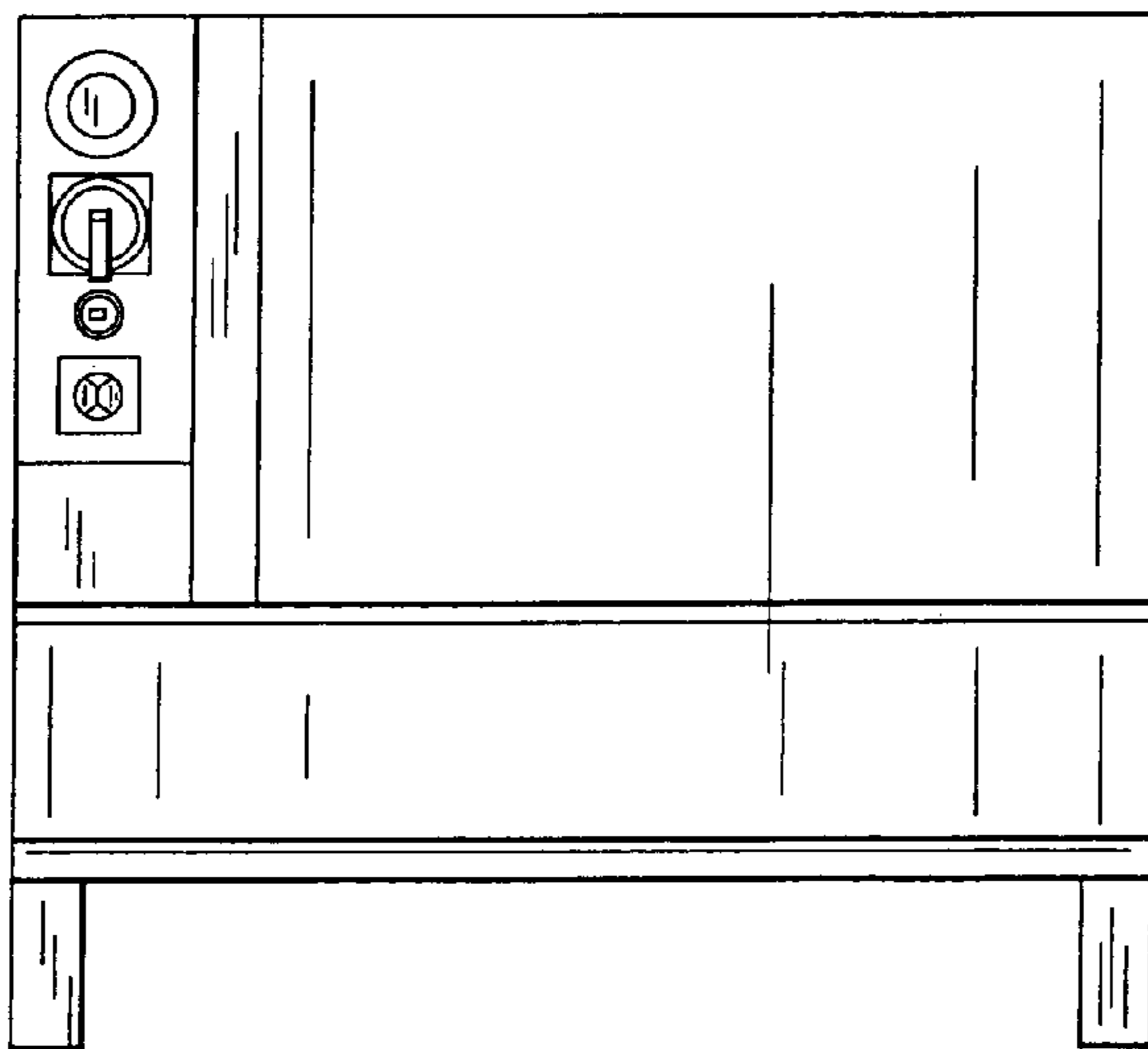
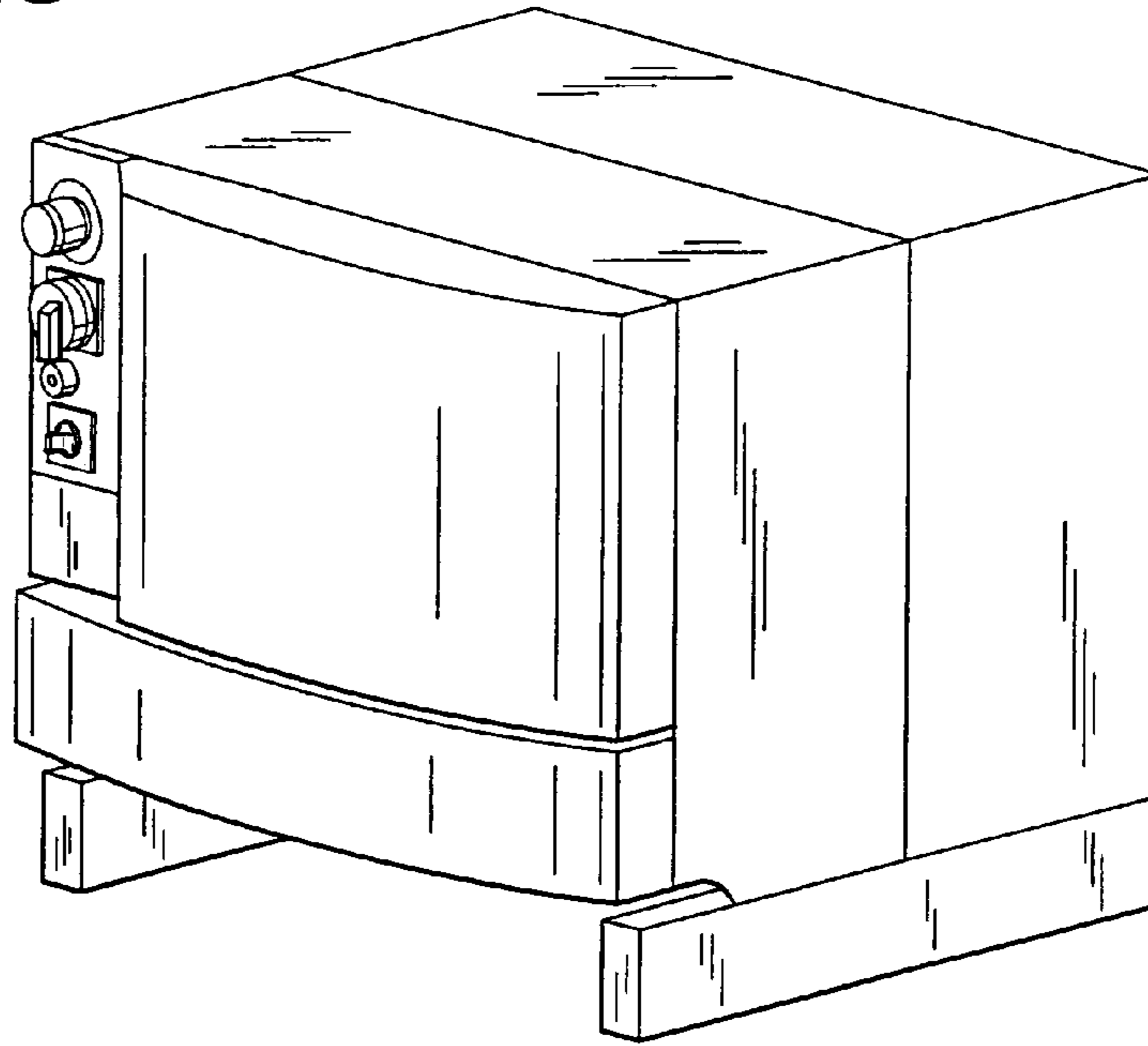


Fig.9

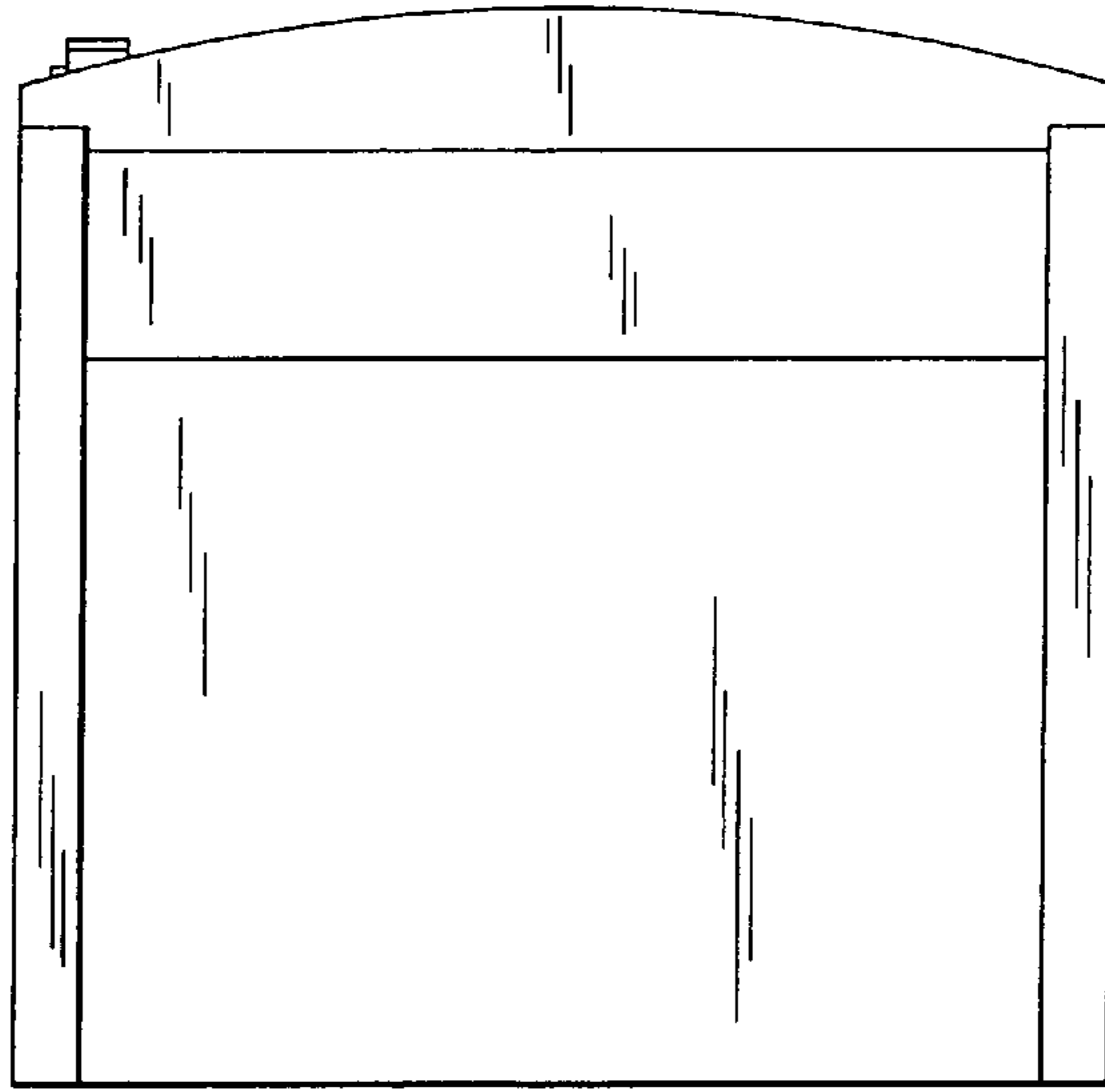


Fig. 11

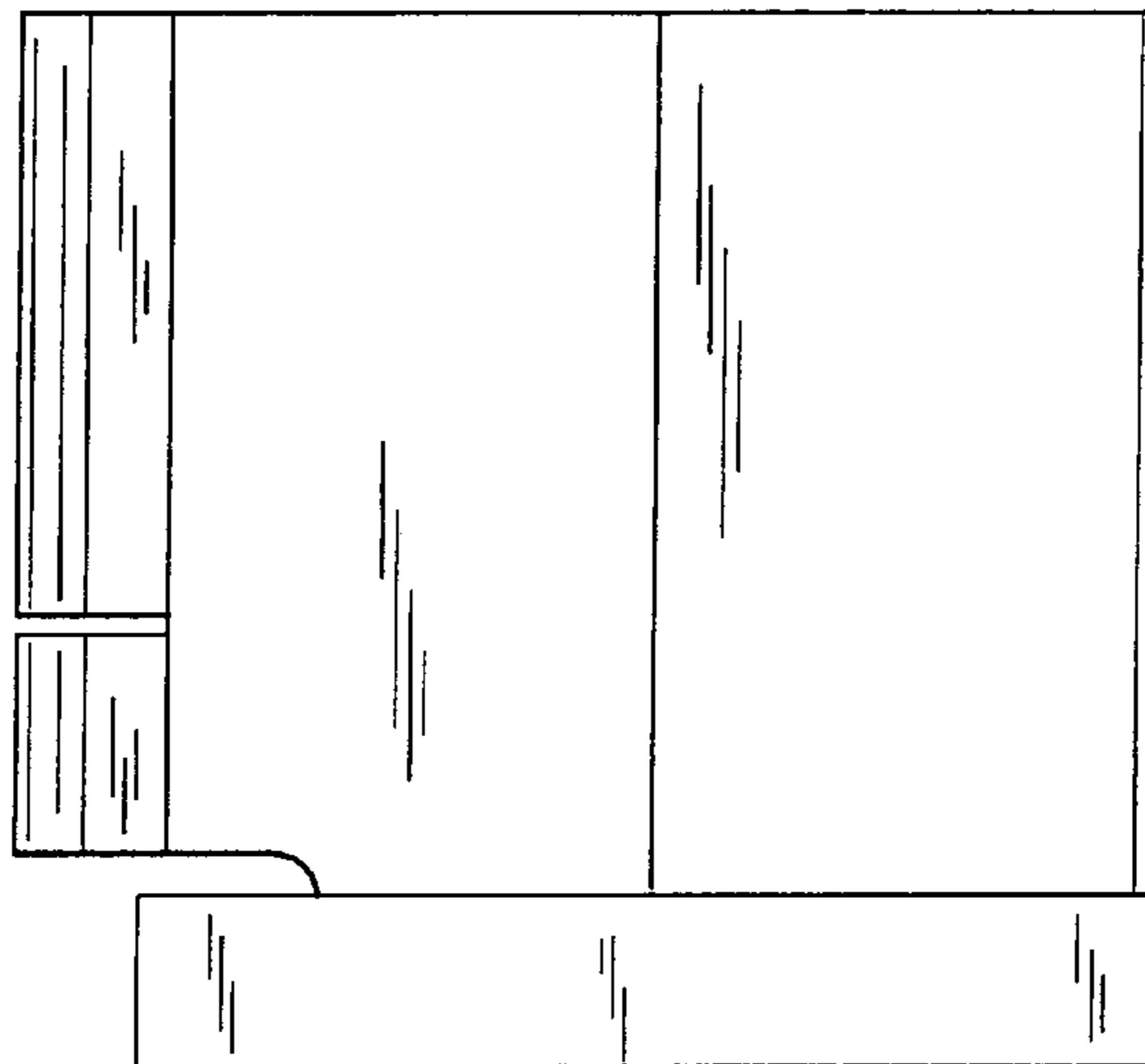


Fig. 12

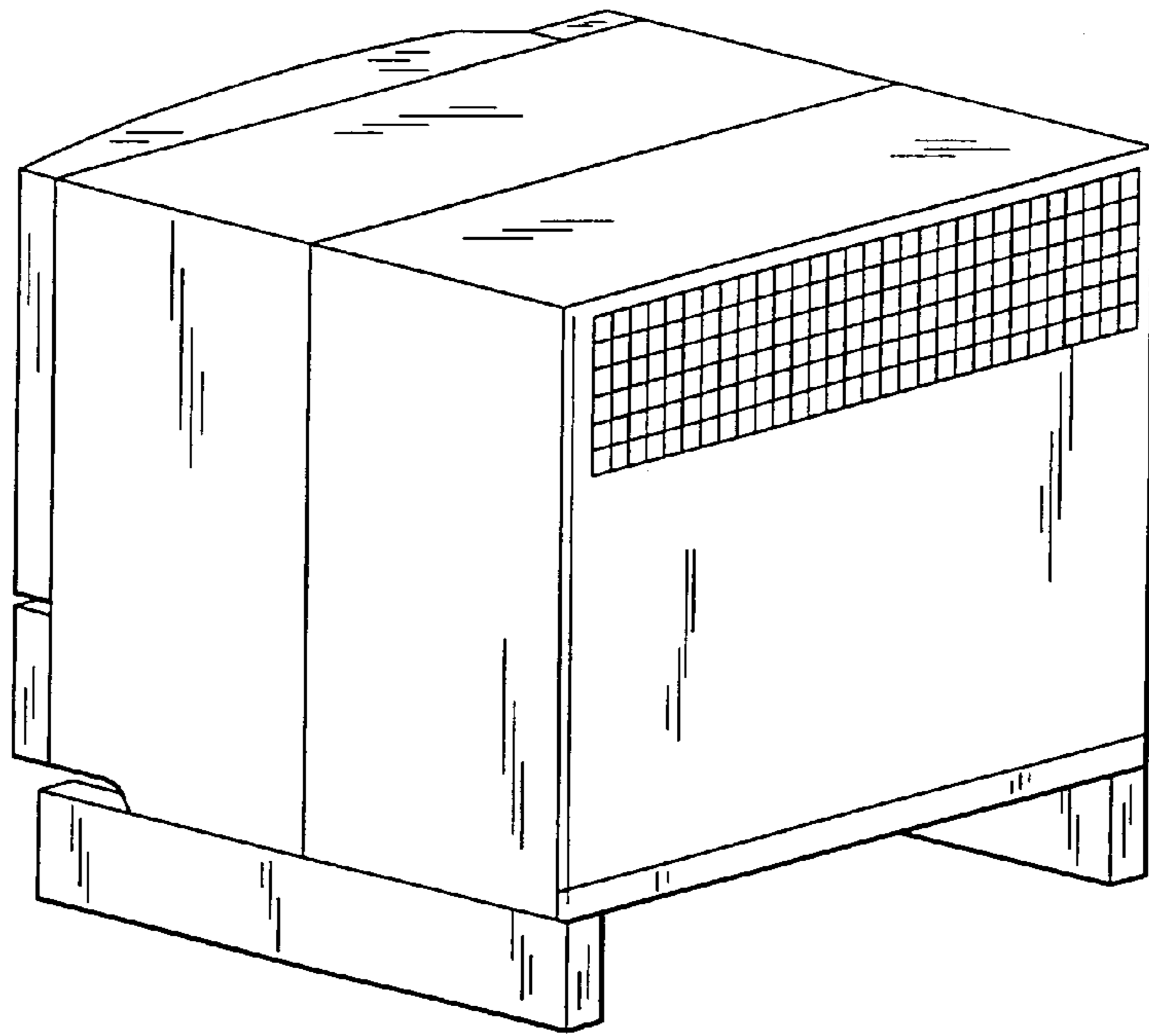


Fig.13

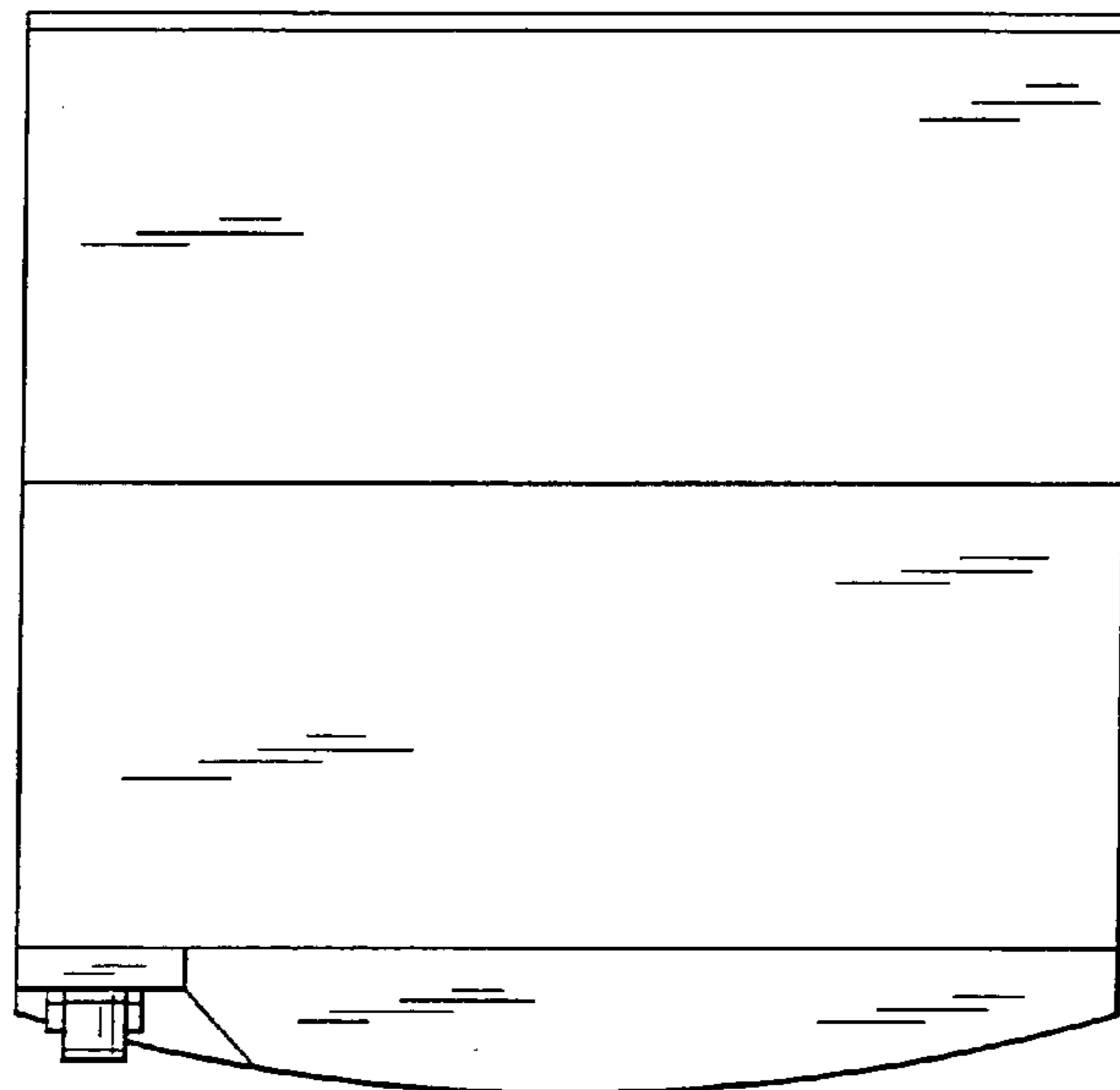


Fig.14