



US00D530286S

(12) **United States Design Patent** (10) **Patent No.:** **US D530,286 S**
Phung et al. (45) **Date of Patent:** **** Oct. 17, 2006**

(54) **CONNECTOR BOOT**

(75) Inventors: **Phillip Phung**, Kirkland, WA (US);
Jennifer M Waite, Renton, WA (US);
Max R Banakar, Bellevue, WA (US)

(73) Assignee: **Leviton Manufacturing Co., Inc.**,
Little Neck, NY (US)

(**) Term: **14 Years**

(21) Appl. No.: **29/212,933**

(22) Filed: **Sep. 9, 2004**

(51) **LOC (8) Cl.** **13-03**

(52) **U.S. Cl.** **D13/156**

(58) **Field of Classification Search** D13/129-133,
D13/150, 154-156, 184; 174/74 R, 74 A,
174/77 R, 82, 83, 89, 93, 135, 138 F, 188;
439/278, 296, 345, 346, 380, 519, 521, 527,
439/528, 588, 589, 750, 892, 901
See application file for complete search history.

(56) **References Cited**

U.S. PATENT DOCUMENTS

D303,656 S * 9/1989 Wong et al. D13/156
D317,900 S * 7/1991 Nagasaka et al. D13/133
5,334,044 A * 8/1994 Falossi et al. 439/491
D358,802 S * 5/1995 Kunz D13/154
5,462,457 A * 10/1995 Schroepfer et al. 439/736
5,620,335 A * 4/1997 Siemon 439/491
D379,177 S * 5/1997 Chu D13/156
5,685,736 A * 11/1997 Lung 439/447
D402,266 S * 12/1998 Siemon et al. D13/156

D412,314 S * 7/1999 Lee D13/156
D444,452 S * 7/2001 Smith D13/154
D450,303 S * 11/2001 Milan D13/154
D451,480 S * 12/2001 Milan D13/154

OTHER PUBLICATIONS

Hubbell Incorporated, Photograph of Boot, undated.
The Siemon Company, Photograph of Boot, undated.

* cited by examiner

Primary Examiner—Alan P. Douglas

Assistant Examiner—Rosemary K. Tarcza

(74) *Attorney, Agent, or Firm*—George C. Rondeau, Jr.;
Davis Wright Tremaine LLP

(57) **CLAIM**

The ornamental design for a connector boot, as shown and described.

DESCRIPTION

FIG. 1 is a front perspective view of a connector boot showing our new design.

FIG. 2 is a rear perspective view thereof.

FIG. 3 is a top plan view thereof.

FIG. 4 is a bottom plan view thereof.

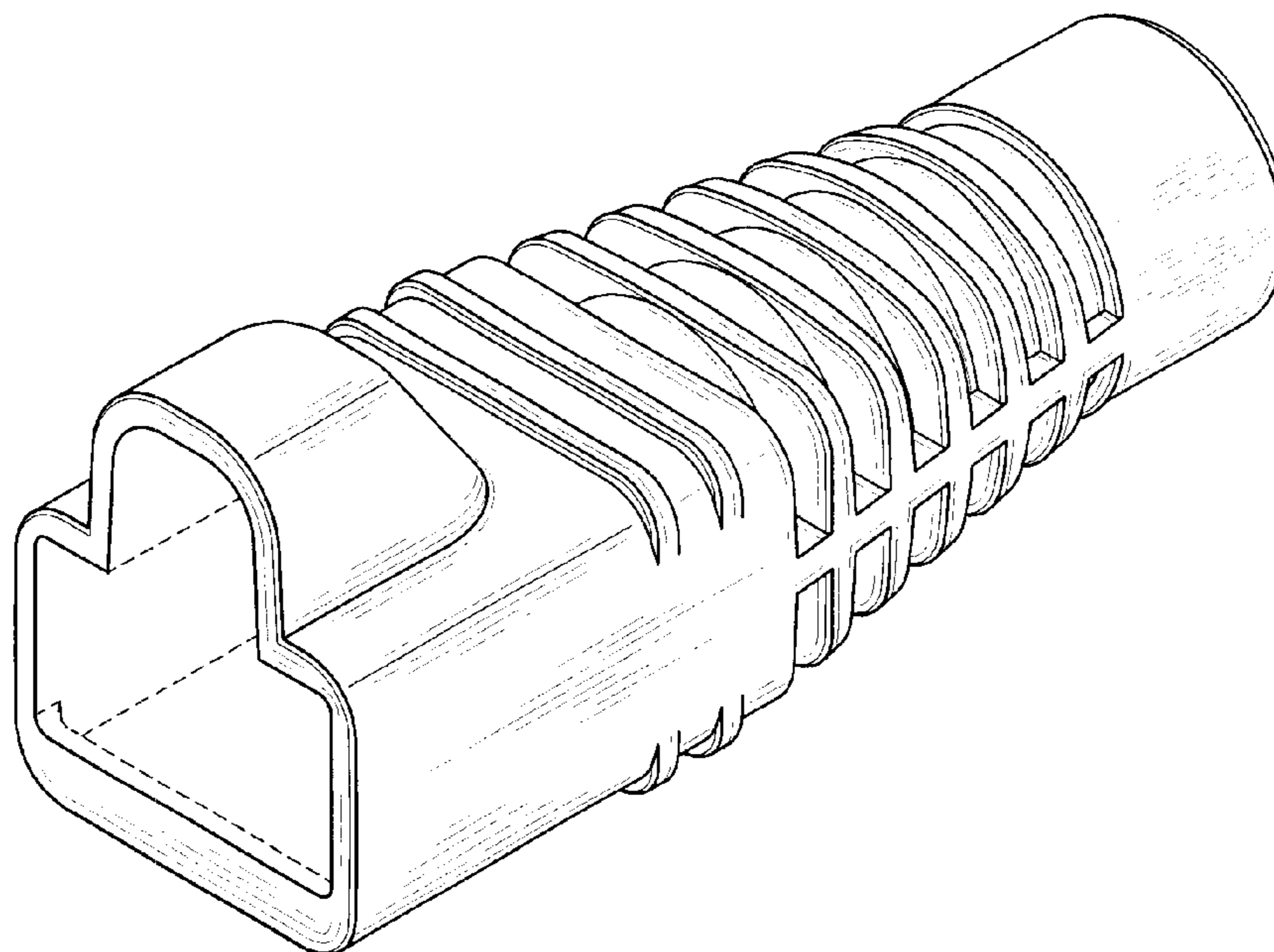
FIG. 5 is a left side elevational view thereof, the right side elevational view being a mirror image thereof.

FIG. 6 is a front elevational view thereof; and,

FIG. 7 is a rear elevational view thereof.

The broken lines are for illustrative purposes only and form no part of the claimed design.

1 Claim, 4 Drawing Sheets



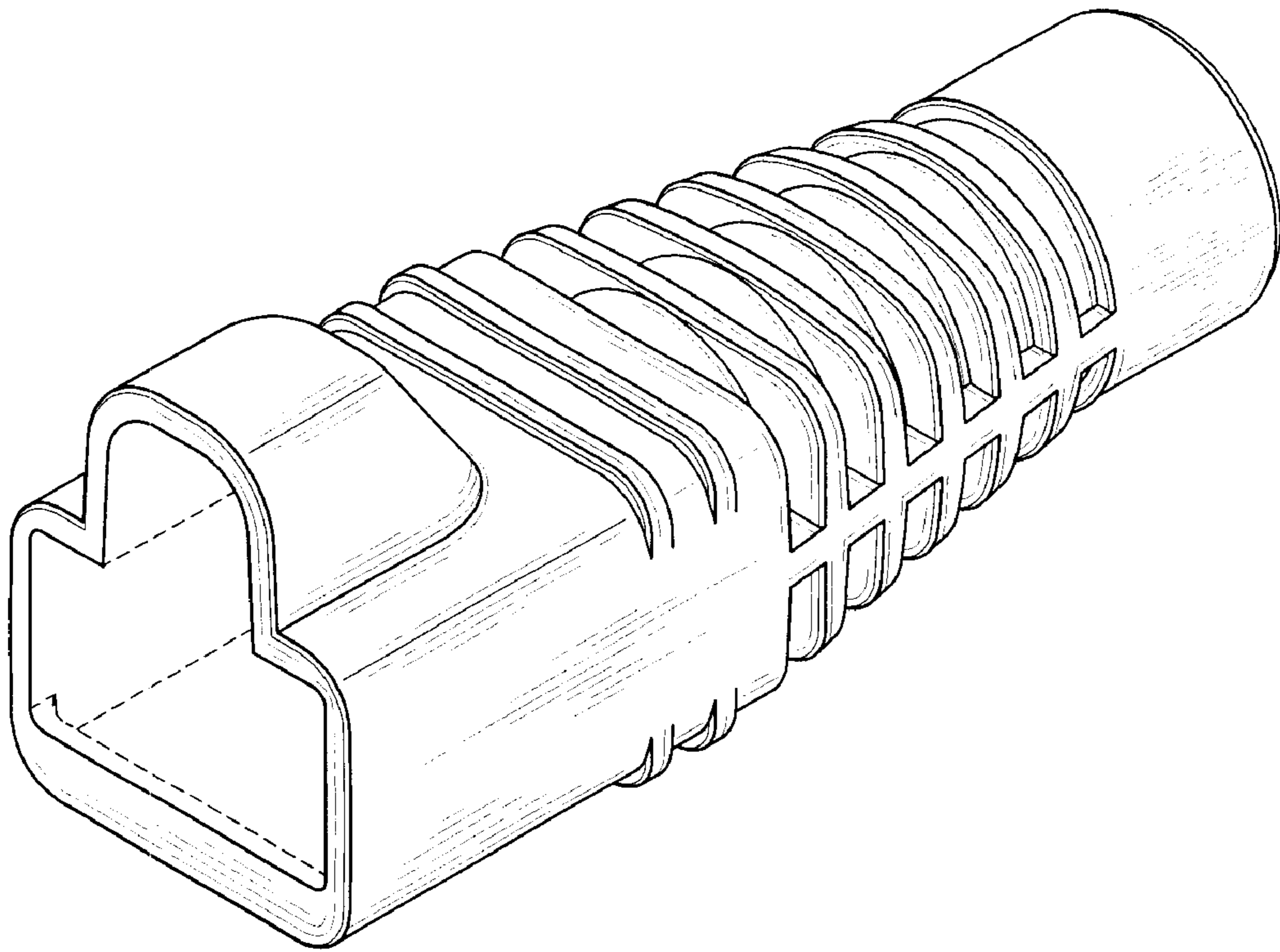


Fig. 1

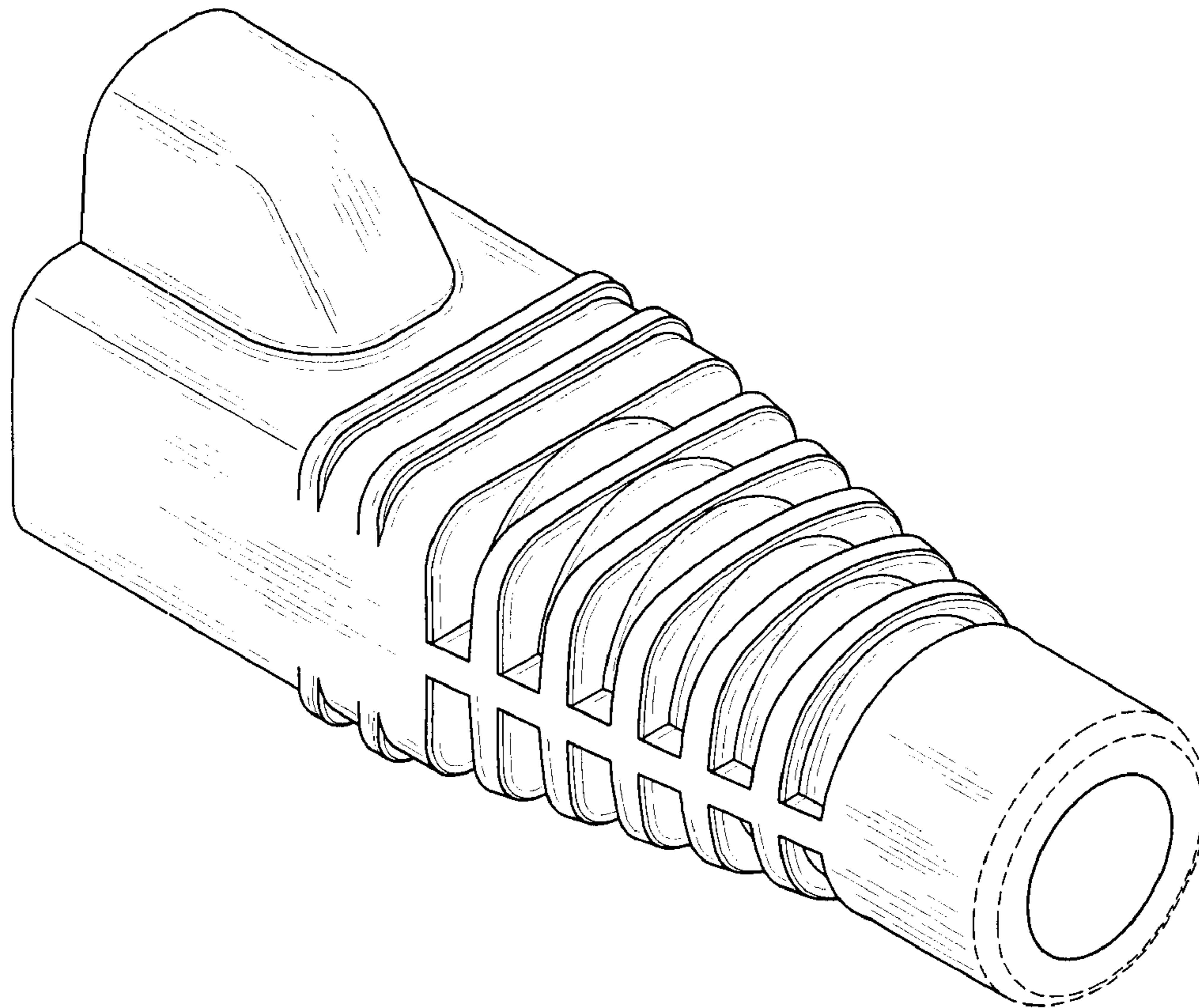


Fig. 2

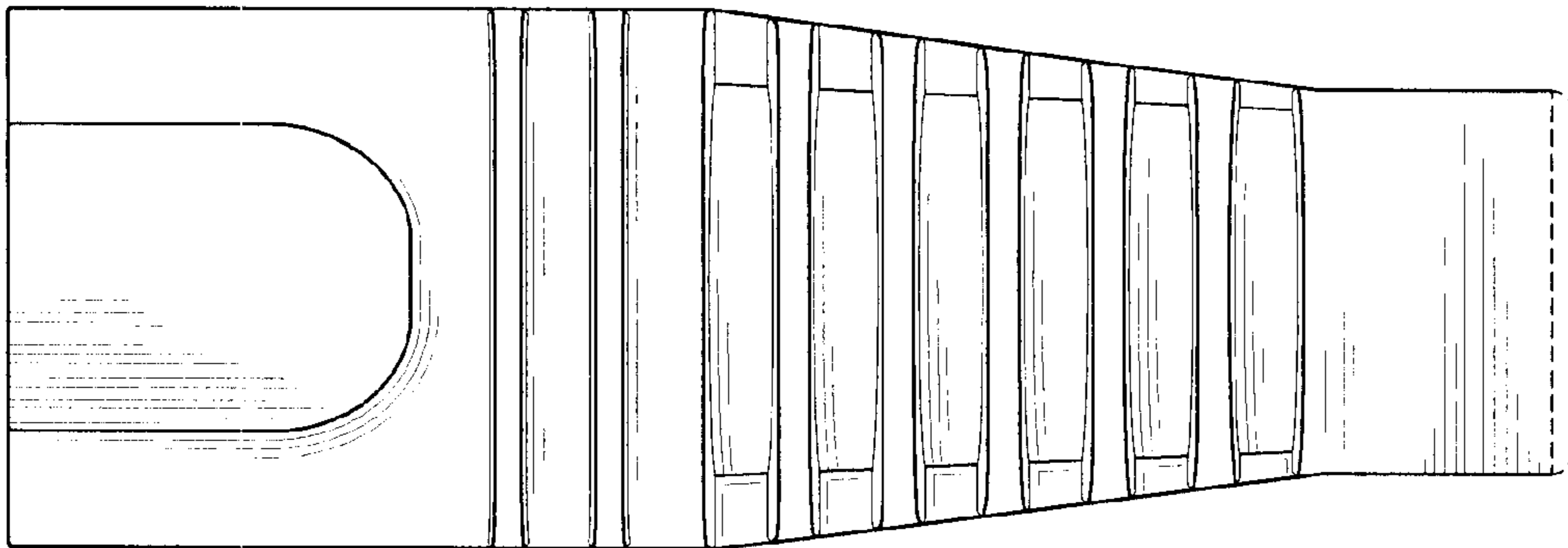


Fig. 3

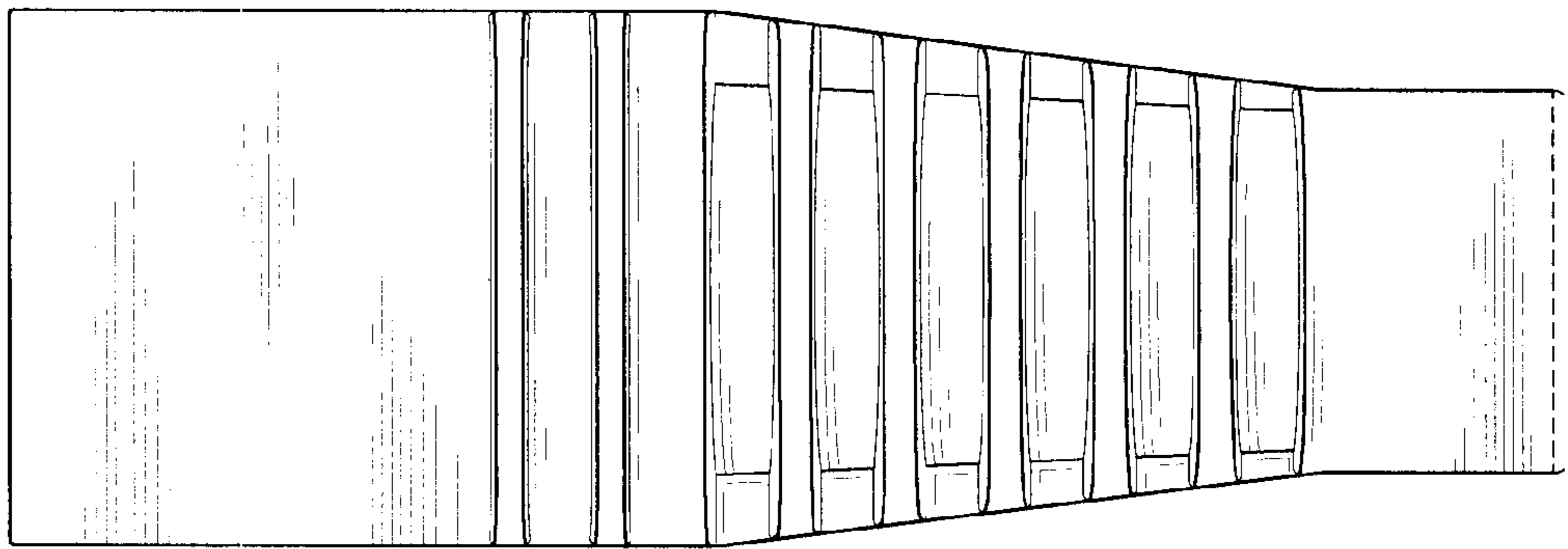


Fig. 4

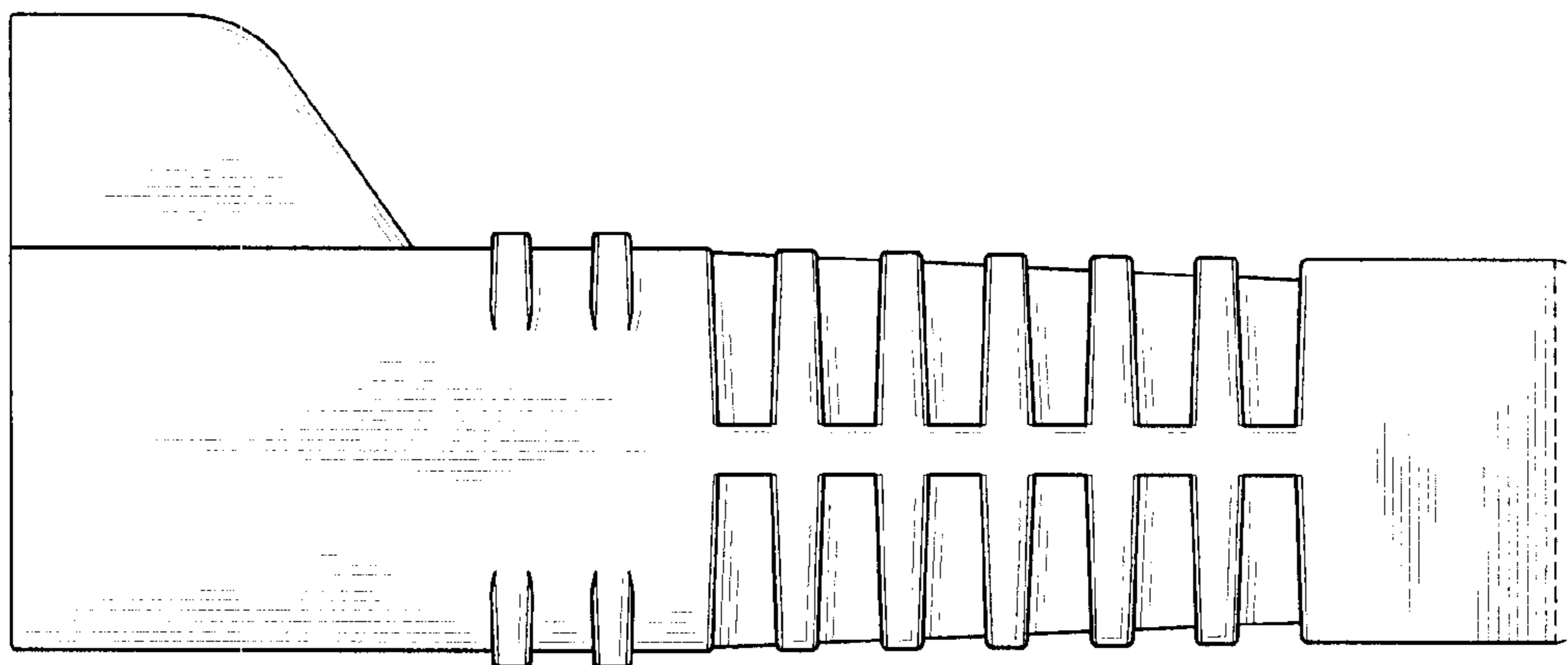


Fig. 5

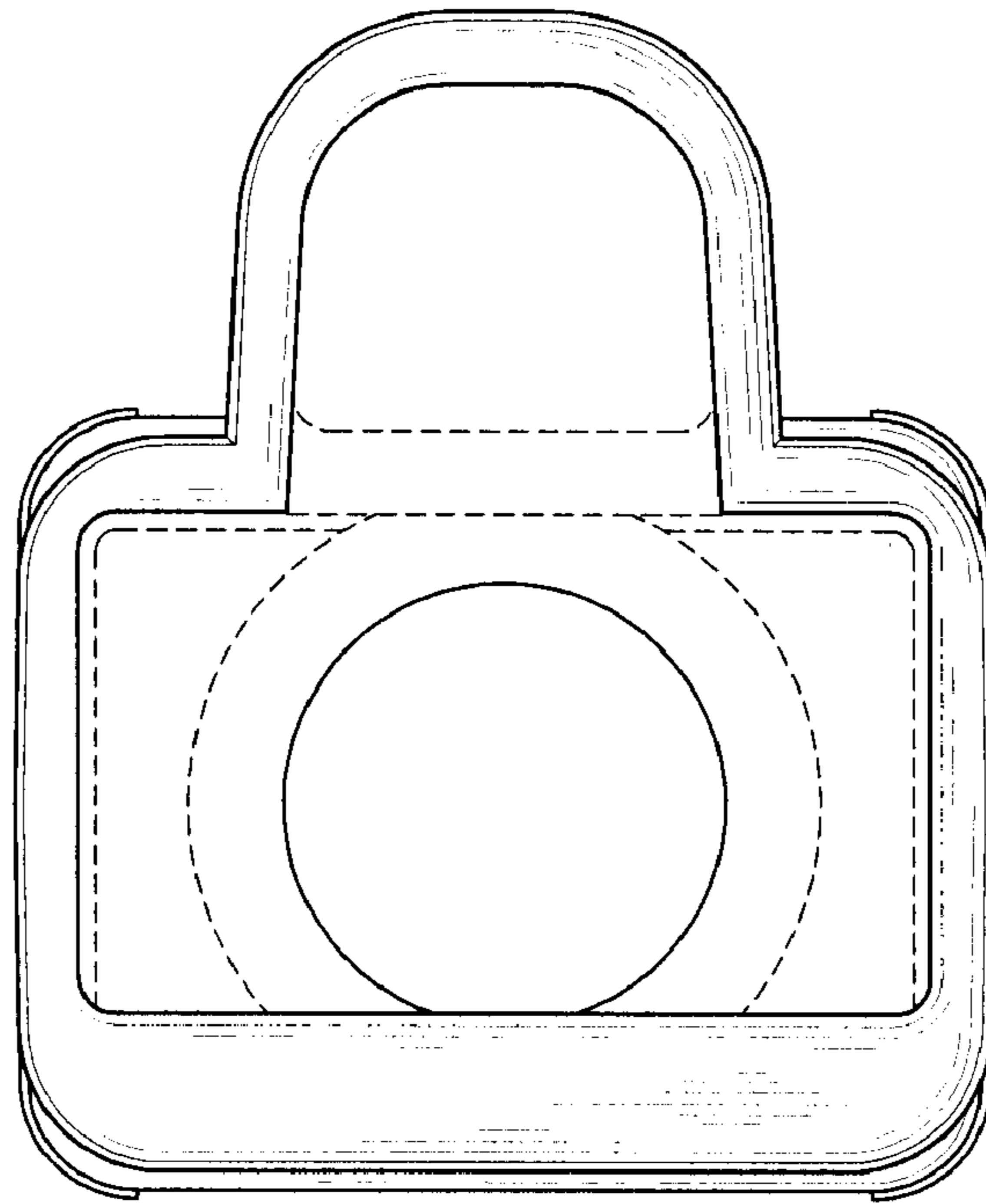


Fig. 6

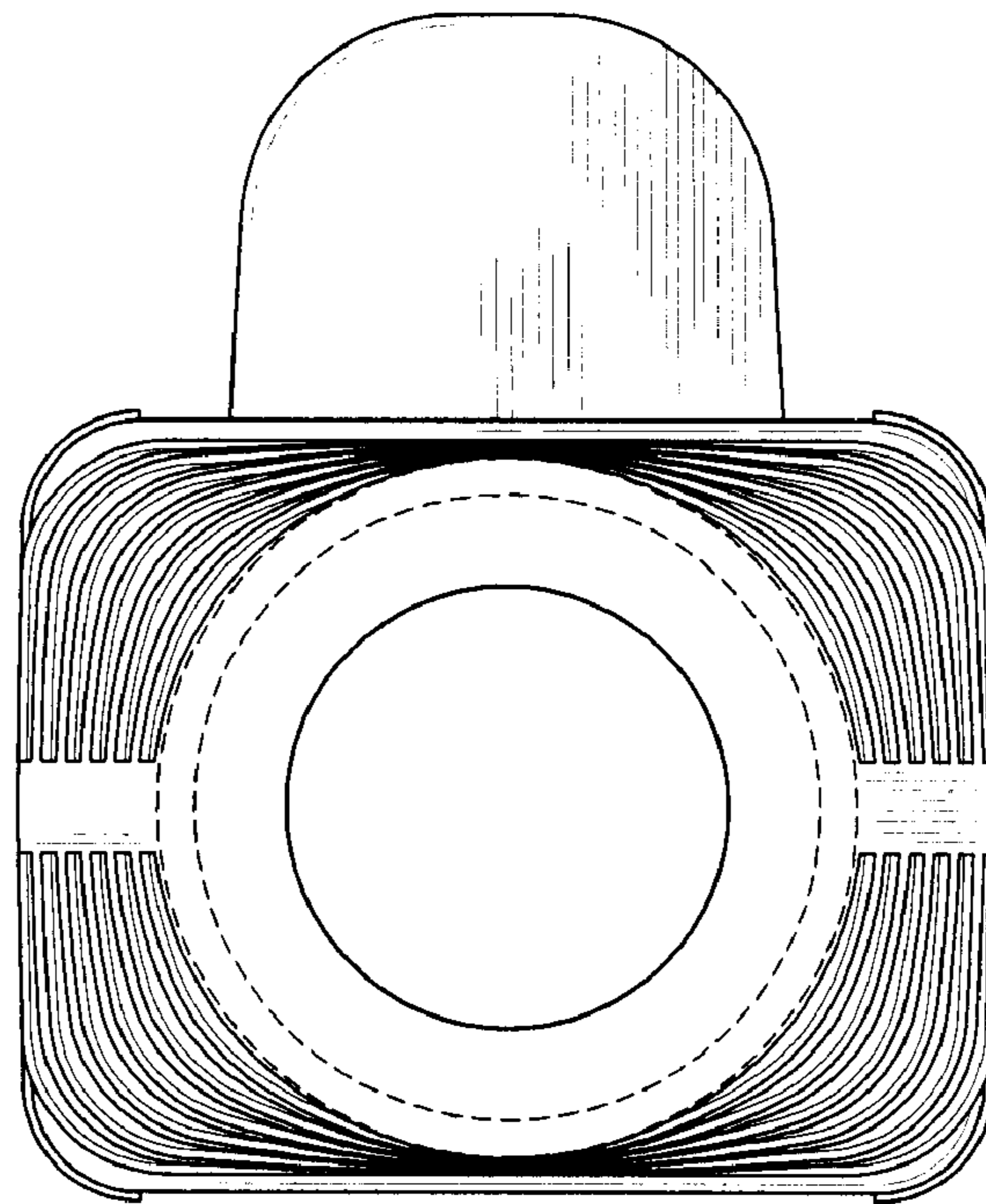


Fig. 7