



US00D530285S

(12) **United States Design Patent**
Sweeney

(10) **Patent No.:** **US D530,285 S**
(45) **Date of Patent:** **** Oct. 17, 2006**

(54) **INTERCONNECT FOR ELECTRICALLY
CONNECTING PLURAL ELECTRICALLY
CONDUCTIVE NEUTRAL BARS IN FIXED
SPACED-APART RELATIONSHIP**

(75) Inventor: **Thomas M. Sweeney**, Cincinnati, OH
(US)

(73) Assignee: **Isco Corporation**, Cincinnati, OH
(US)

(**) Term: **14 Years**

(21) Appl. No.: **29/233,347**

(22) Filed: **Jun. 30, 2005**

Related U.S. Application Data

(62) Division of application No. 29/170,701, filed on Nov. 12,
2002, now Pat. No. Des. 509,801.

(51) **LOC (8) Cl.** **13-03**

(52) **U.S. Cl.** **D13/154**

(58) **Field of Classification Search** D13/153,
D13/154, 155, 156; 439/362, 365, 367, 476.1,
439/478, 527, 528, 606, 731, 901; D8/354;
174/6, 51, 40, 135

See application file for complete search history.

(56) **References Cited**

U.S. PATENT DOCUMENTS

2,909,757 A 10/1959 Speck 439/723

3,757,170 A	9/1973	Kobryner	361/644
4,231,633 A	11/1980	Luke et al.	439/723
D291,406 S	8/1987	McNeese	D8/323
D298,213 S	10/1988	Iati	D8/354
D337,510 S	7/1993	Nasca	D8/354
5,901,028 A	5/1999	Hamard	361/129
6,459,570 B1	10/2002	Buchanan	361/648
6,666,729 B1	12/2003	Takamura et al.	439/723
2004/0072470 A1	4/2004	Lang et al.		

Primary Examiner—Holly Baynham

Assistant Examiner—Cynthia M. Chin

(74) *Attorney, Agent, or Firm*—Wood, Herron & Evans,
LLP

(57) **CLAIM**

The ornamental design for an interconnect for electrically connecting plural electrically conductive neutral bars in fixed spaced-apart relationship, as shown and described.

DESCRIPTION

FIG. 1 is a perspective view of the front, right side, and top of an interconnect for electrically connecting plural electrically conductive neutral bars in fixed spaced-apart relationship incorporating my new design;

FIG. 2 is a front elevational view thereof;

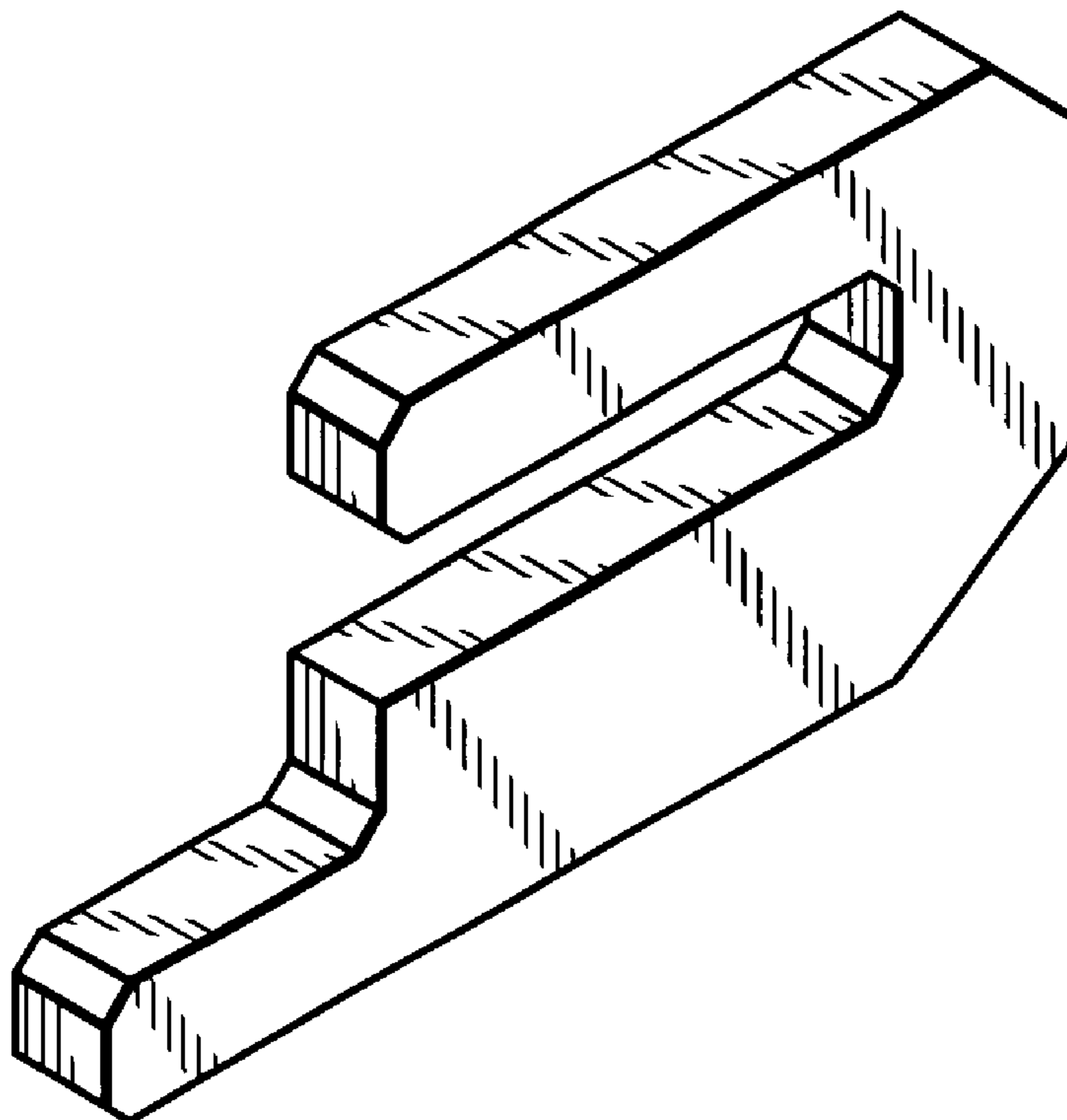
FIG. 3 is a right-side elevational view thereof, with the left-side elevational view being a mirror image of FIG. 3;

FIG. 4 is a rear elevational view thereof;

FIG. 5 is a top plan view thereof; and,

FIG. 6 is a bottom plan view thereof.

1 Claim, 1 Drawing Sheet



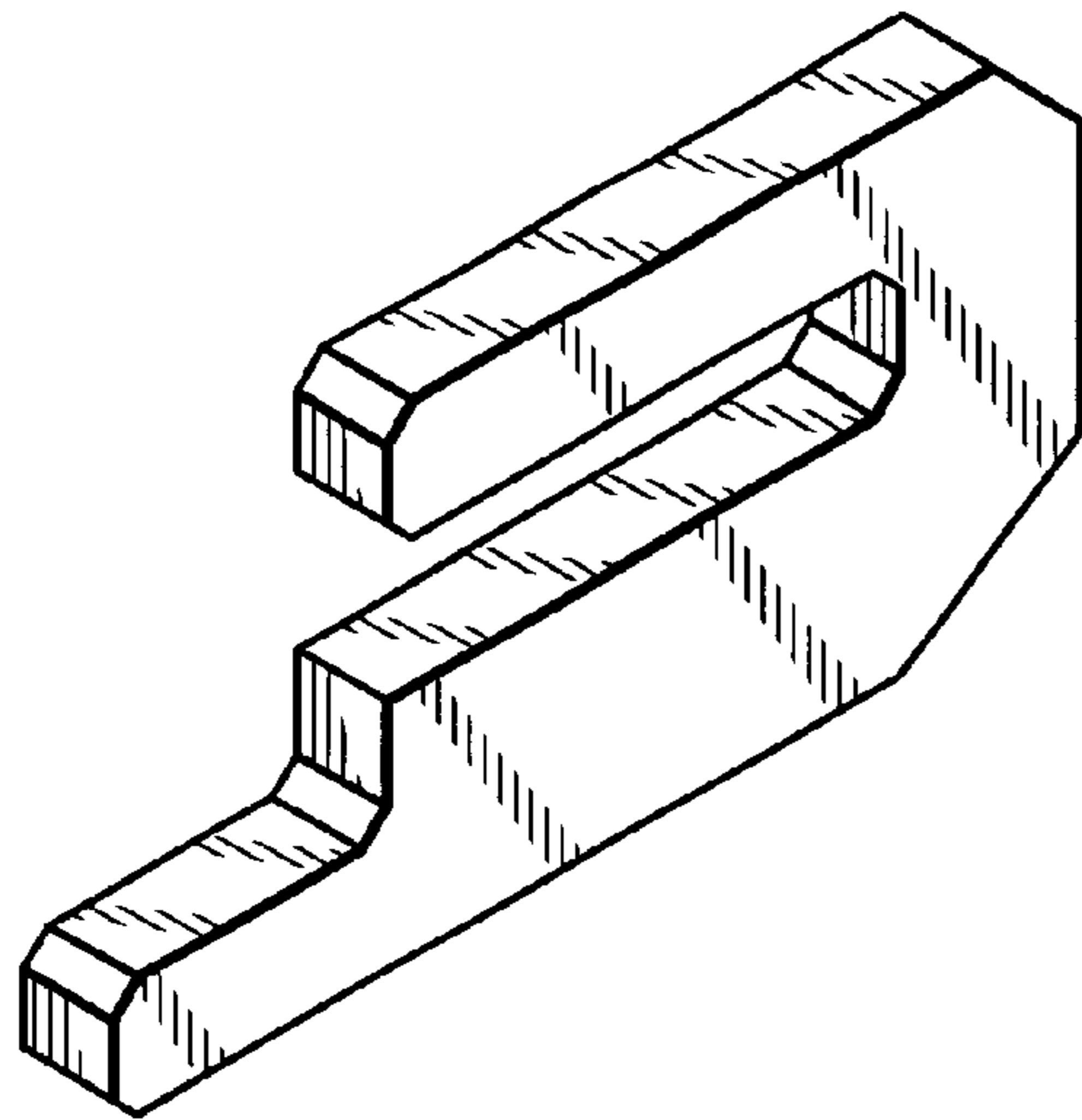


FIG. 1



FIG. 2

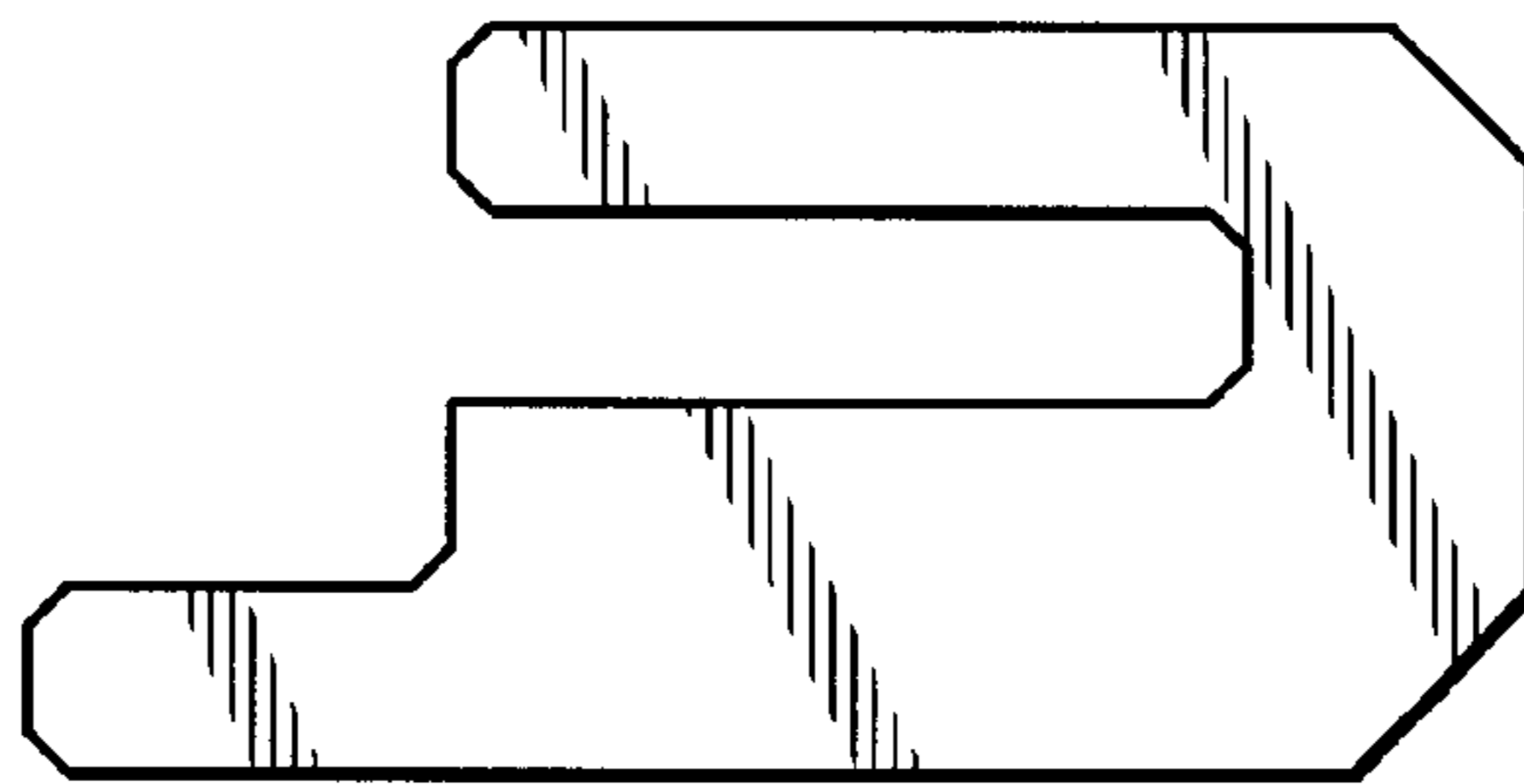


FIG. 3



FIG. 4

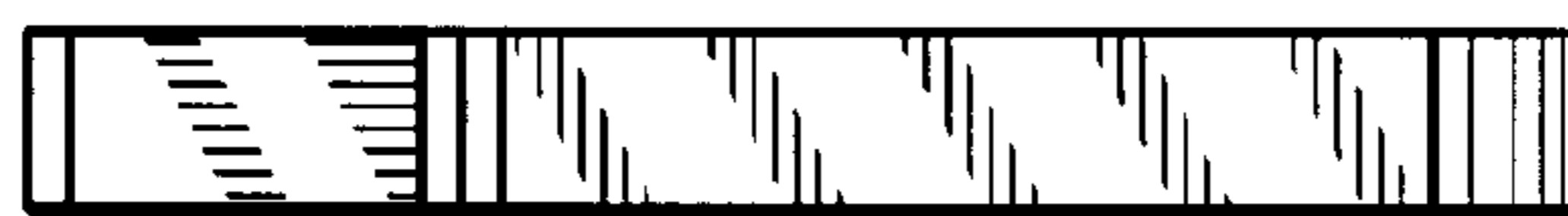


FIG. 5

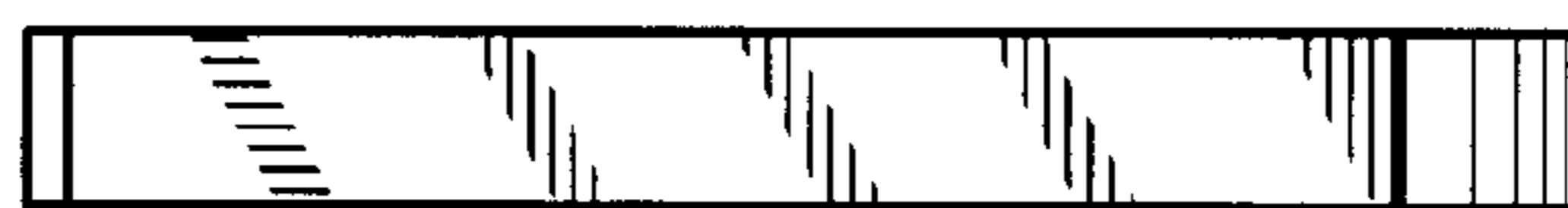


FIG. 6