



US00D530283S

(12) **United States Design Patent**
Kuo

(10) **Patent No.:** **US D530,283 S**

(45) **Date of Patent:** **** Oct. 17, 2006**

(54) **ELECTRICAL ADAPTOR**

(75) Inventor: **Peter Kuo**, Tu-Cheng (TW)

(73) Assignee: **Hon Hai Precision Ind. Co., Ltd.**,
Taipei Hsien (TW)

(**) Term: **14 Years**

(21) Appl. No.: **29/233,409**

(22) Filed: **Jun. 30, 2005**

(30) **Foreign Application Priority Data**

May 20, 2005 (CN) 2005 3 0083835

(51) **LOC (8) Cl.** **13-03**

(52) **U.S. Cl.** **D13/147**

(58) **Field of Classification Search** D13/133,
D13/146-147, 154, 184, 199; 439/352-353,
439/357-358, 677-681, 607, 610, 686
See application file for complete search history.

(56) **References Cited**

U.S. PATENT DOCUMENTS

- D275,850 S * 10/1984 Wilson D13/147
- 4,722,022 A * 1/1988 Myers et al. 361/818
- D312,816 S * 12/1990 Huang D13/147
- D319,431 S * 8/1991 Constien D13/184

- 5,108,294 A * 4/1992 Marsh et al. 439/76.1
- D375,724 S * 11/1996 Kammersgard et al. ... D13/147
- D411,827 S * 7/1999 Gilliland et al. D13/147
- 6,579,114 B1 * 6/2003 Lord 439/358
- D495,660 S * 9/2004 Huang D13/147
- D515,510 S * 2/2006 Huang D13/147

* cited by examiner

Primary Examiner—Stella Reid
Assistant Examiner—Daniel Bui

(74) *Attorney, Agent, or Firm*—Wei Te Chung

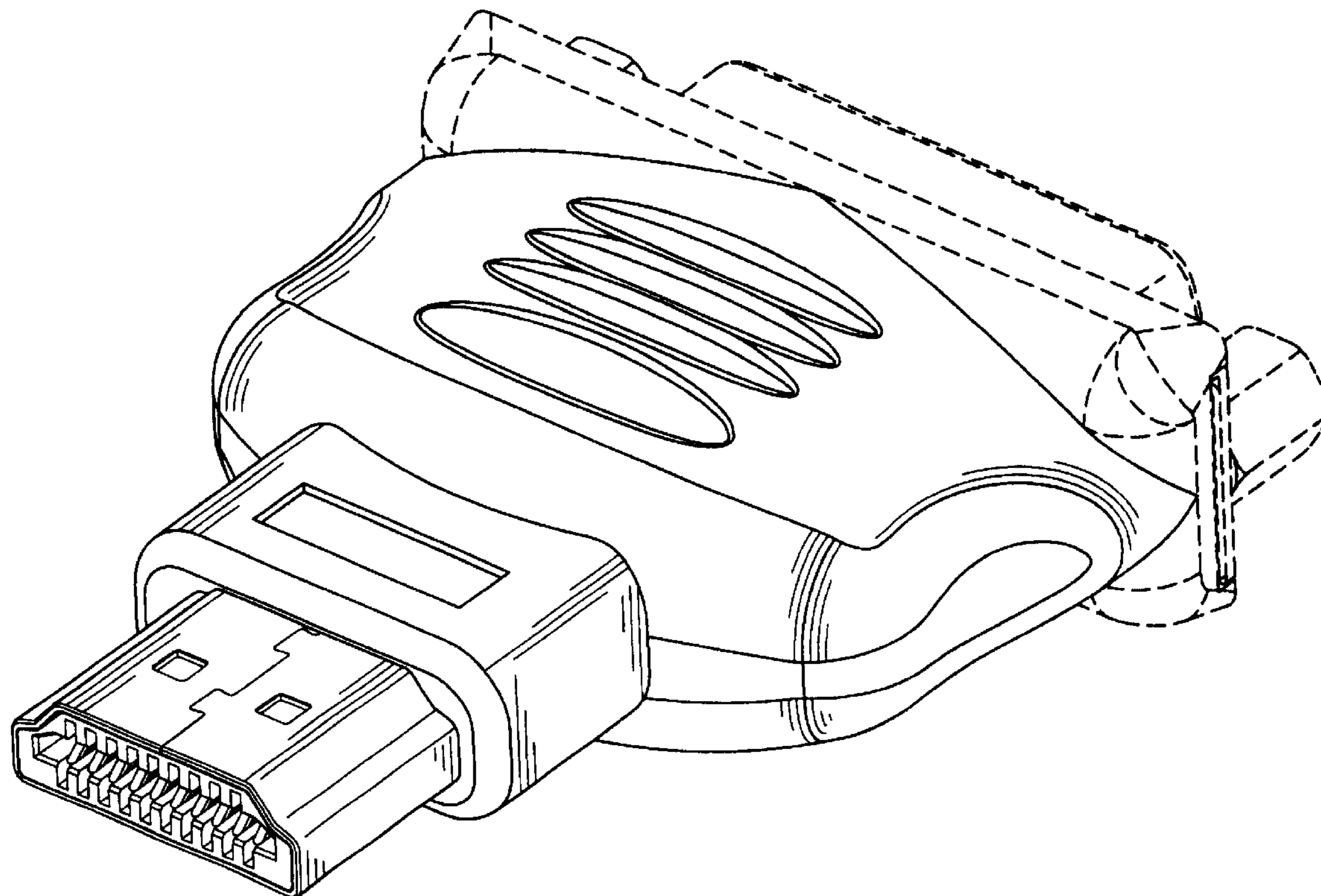
(57) **CLAIM**

The ornamental design for an electrical adaptor, as shown and described above.

DESCRIPTION

FIG. 1 is a front, top and right side perspective view of an electrical adaptor showing my new design;
FIG. 2 is a front elevation view thereof;
FIG. 3 is a left side elevation view thereof;
FIG. 4 is a right side elevation view thereof;
FIG. 5 is a top plan view thereof; and,
FIG. 6 is a bottom plan view thereof.
The broken line showing of the environment is for illustrative purposes only and forms no part of the claimed design.

1 Claim, 6 Drawing Sheets



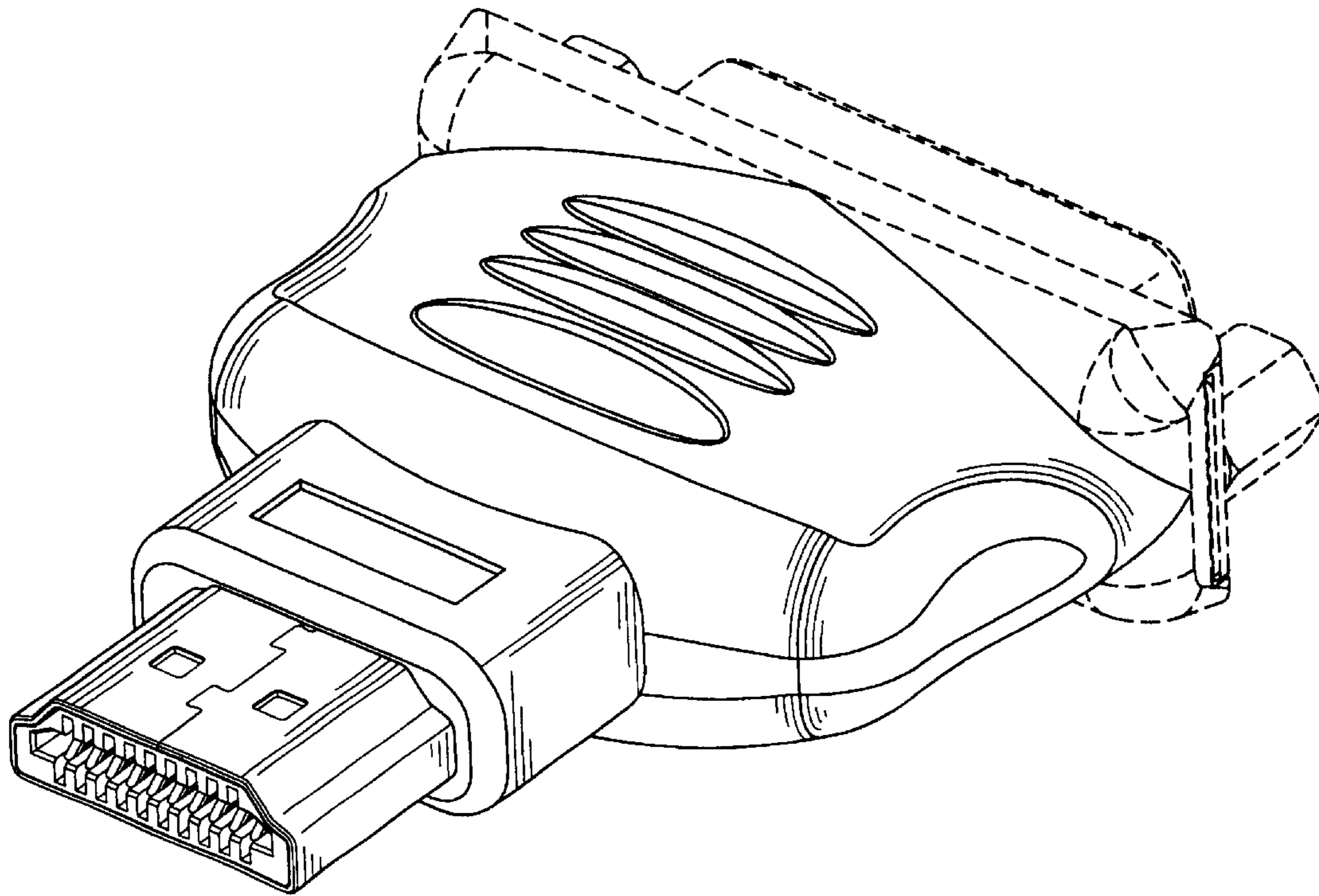


FIG. 1

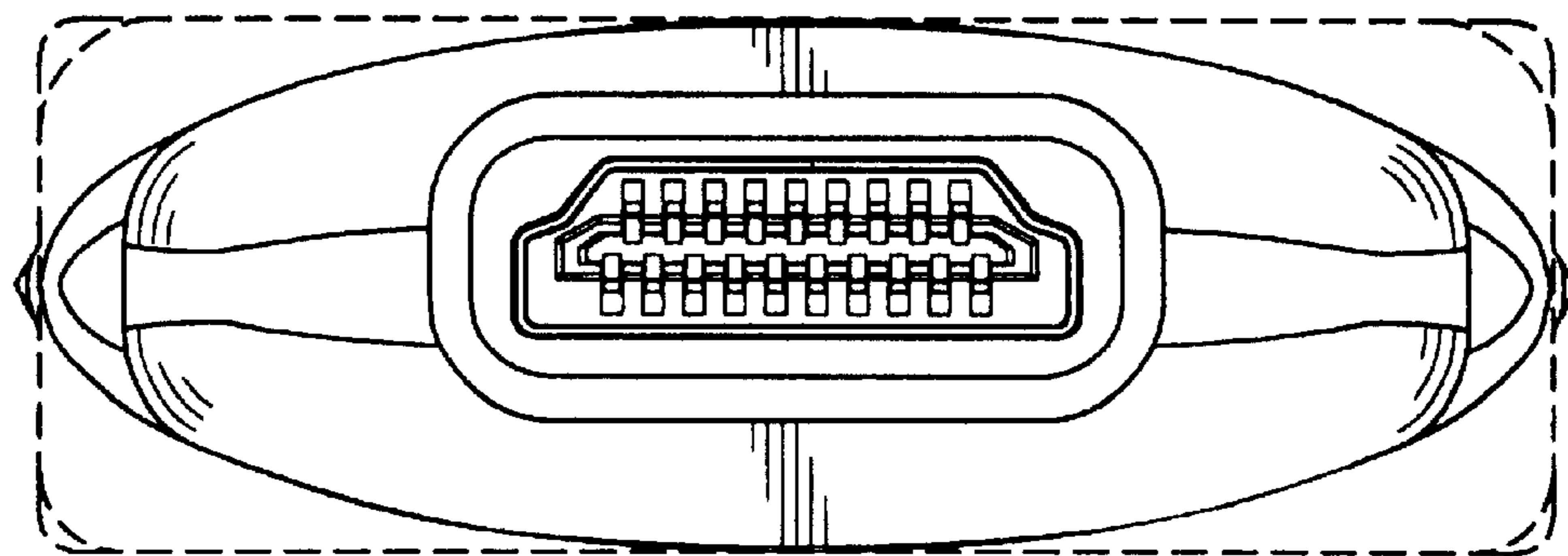


FIG. 2

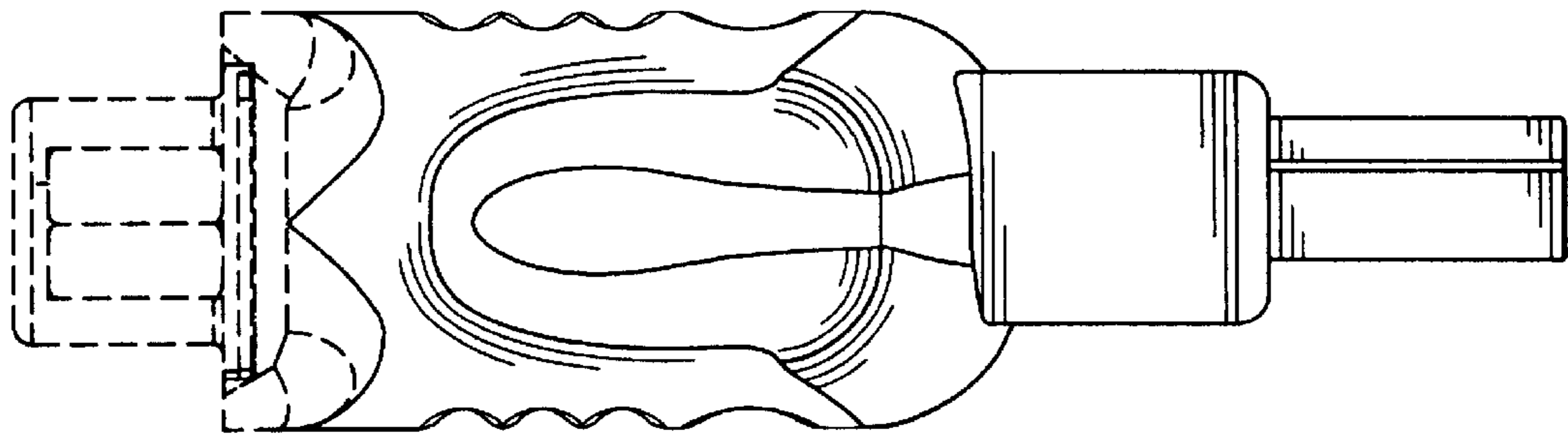


FIG. 3

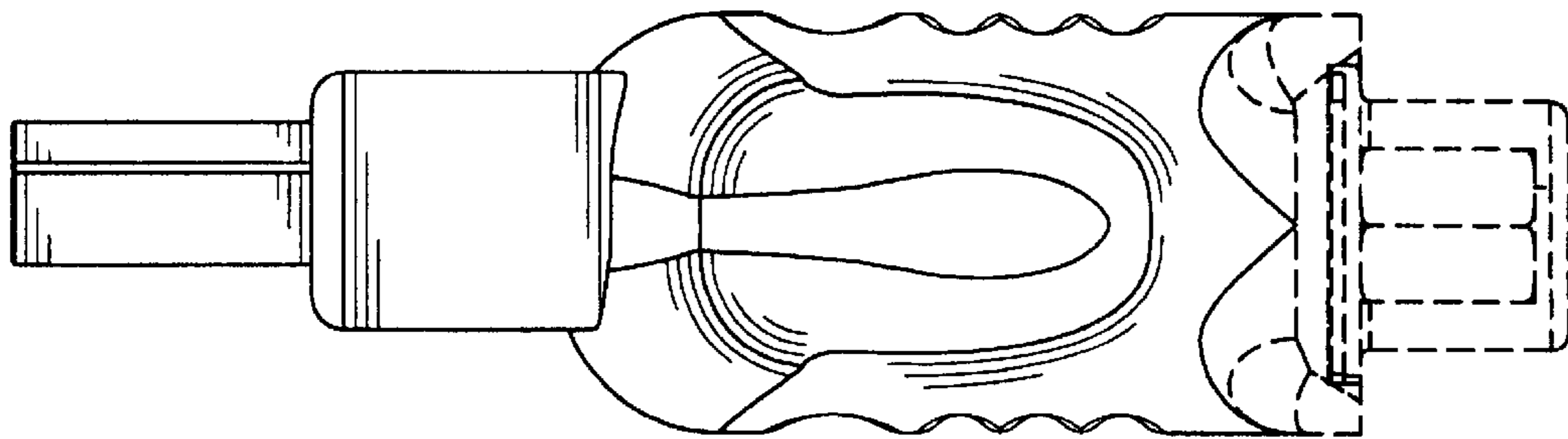


FIG. 4

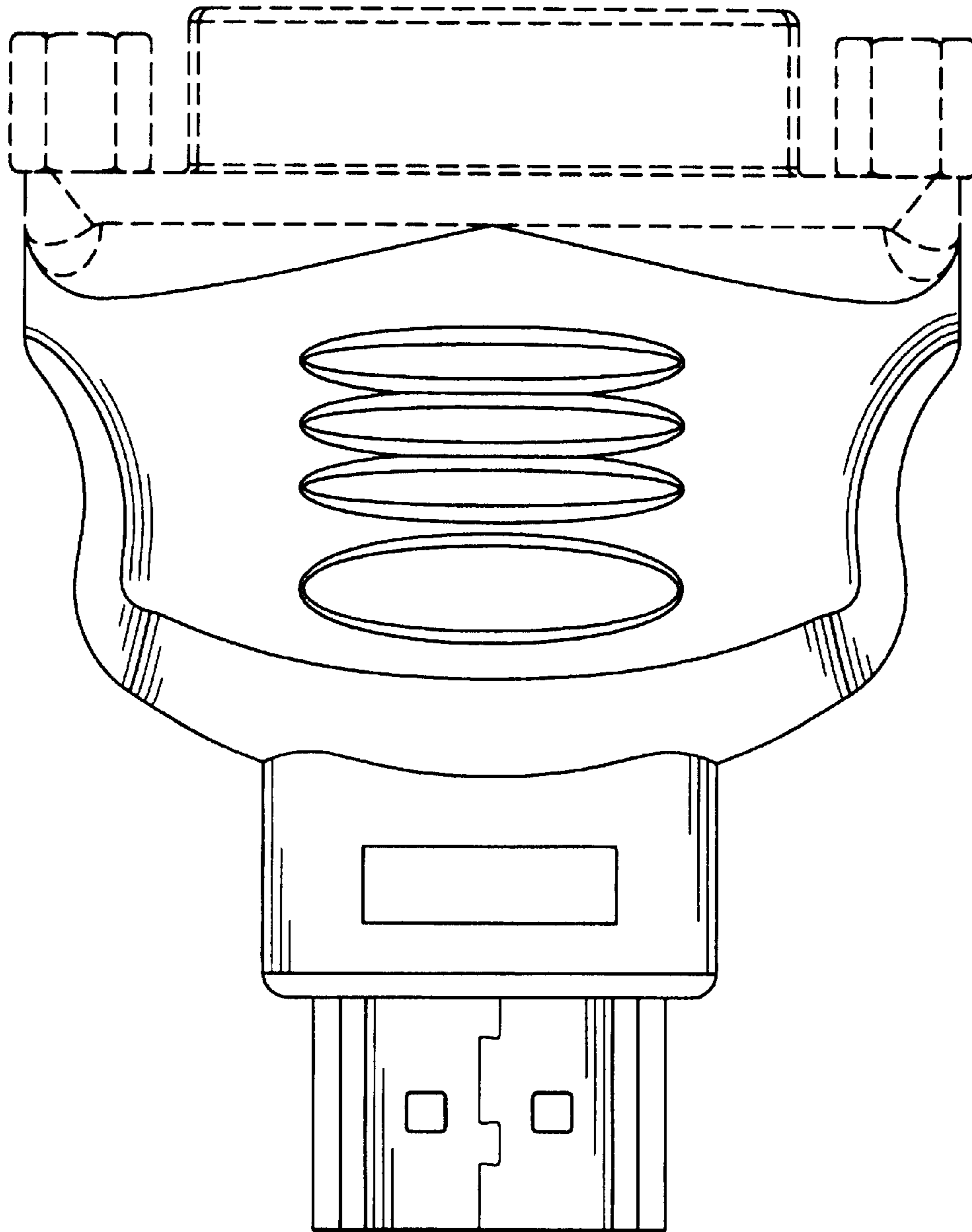


FIG. 5

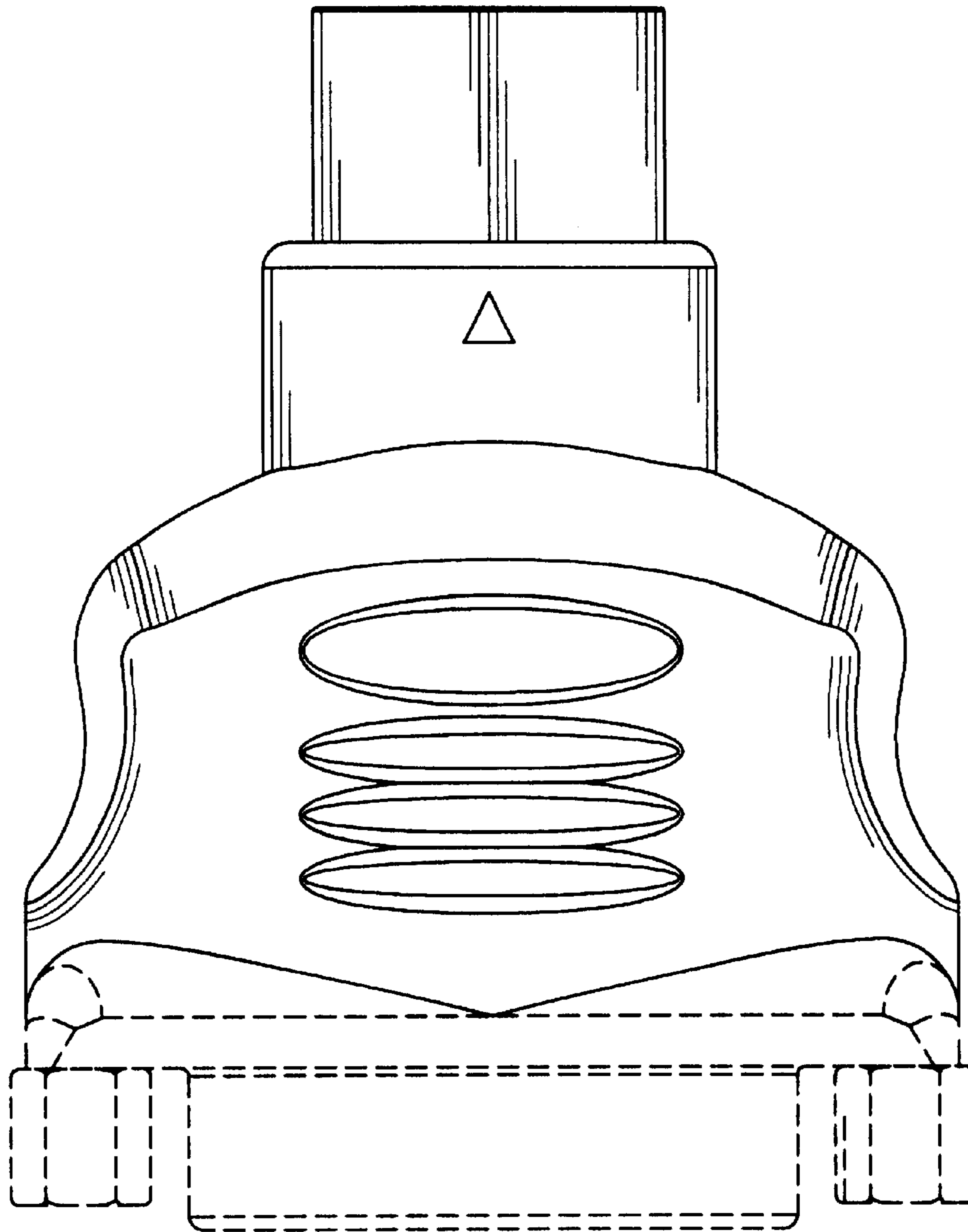


FIG. 6