



US00D530282S

(12) **United States Design Patent**  
**Sukegawa et al.**

(10) **Patent No.:** **US D530,282 S**

(45) **Date of Patent:** **\*\* Oct. 17, 2006**

(54) **CONNECTOR**

(75) Inventors: **Akihito Sukegawa**, Tama (JP); **Hiroshi Nakayama**, Tama (JP)

(73) Assignee: **Mitsumi Electric Co., Ltd.**, Tokyo (JP)

(\*\*) Term: **14 Years**

(21) Appl. No.: **29/223,252**

(22) Filed: **Feb. 14, 2005**

(30) **Foreign Application Priority Data**

Oct. 29, 2004 (JP) ..... 2004-033016

(51) **LOC (8) Cl.** ..... **13-03**

(52) **U.S. Cl.** ..... **D13/147**

(58) **Field of Classification Search** ..... D13/133,  
D13/146-147, 149, 154, 184; D14/432-436,  
D14/438; 439/64, 79, 108, 159-160, 492,  
439/496, 607-610, 630-631, 862

See application file for complete search history.

(56) **References Cited**

**U.S. PATENT DOCUMENTS**

5,752,841 A \* 5/1998 Hori ..... 439/108

D452,478 S \* 12/2001 Hiramoto et al. .... D13/147  
6,855,002 B1 \* 2/2005 Chiu ..... 439/495  
D506,182 S \* 6/2005 Tashiro ..... D13/147  
D510,564 S \* 10/2005 Chiu ..... D13/147  
2003/0190848 A1 \* 10/2003 Wu ..... 439/862  
2005/0136743 A1 \* 6/2005 Takei et al. .... 439/630

\* cited by examiner

*Primary Examiner*—Prabhakar Deshmukh

*Assistant Examiner*—Daniel Bui

(74) *Attorney, Agent, or Firm*—Sughrue Mion, PLLC

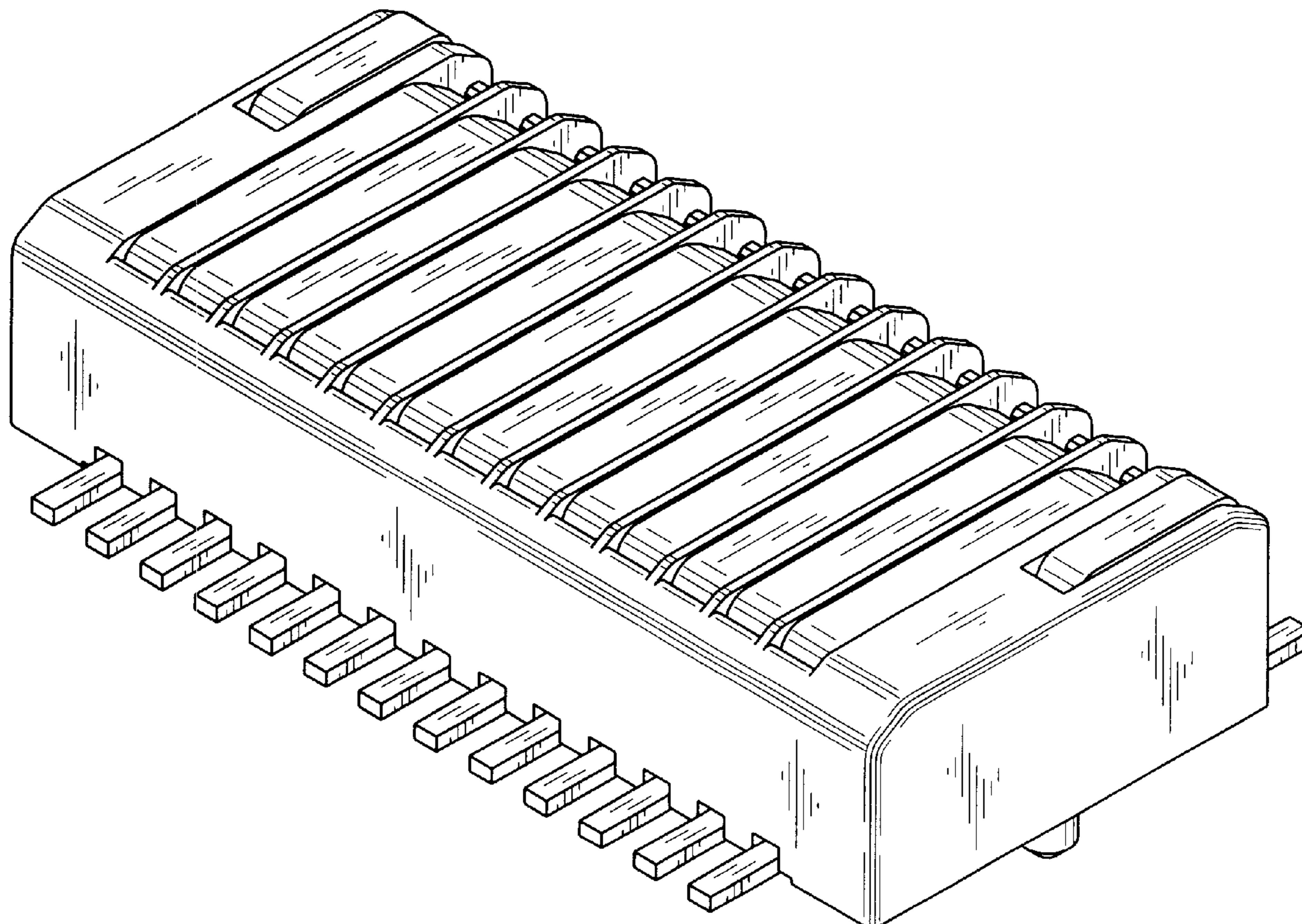
(57) **CLAIM**

The ornamental design for a connector, as shown.

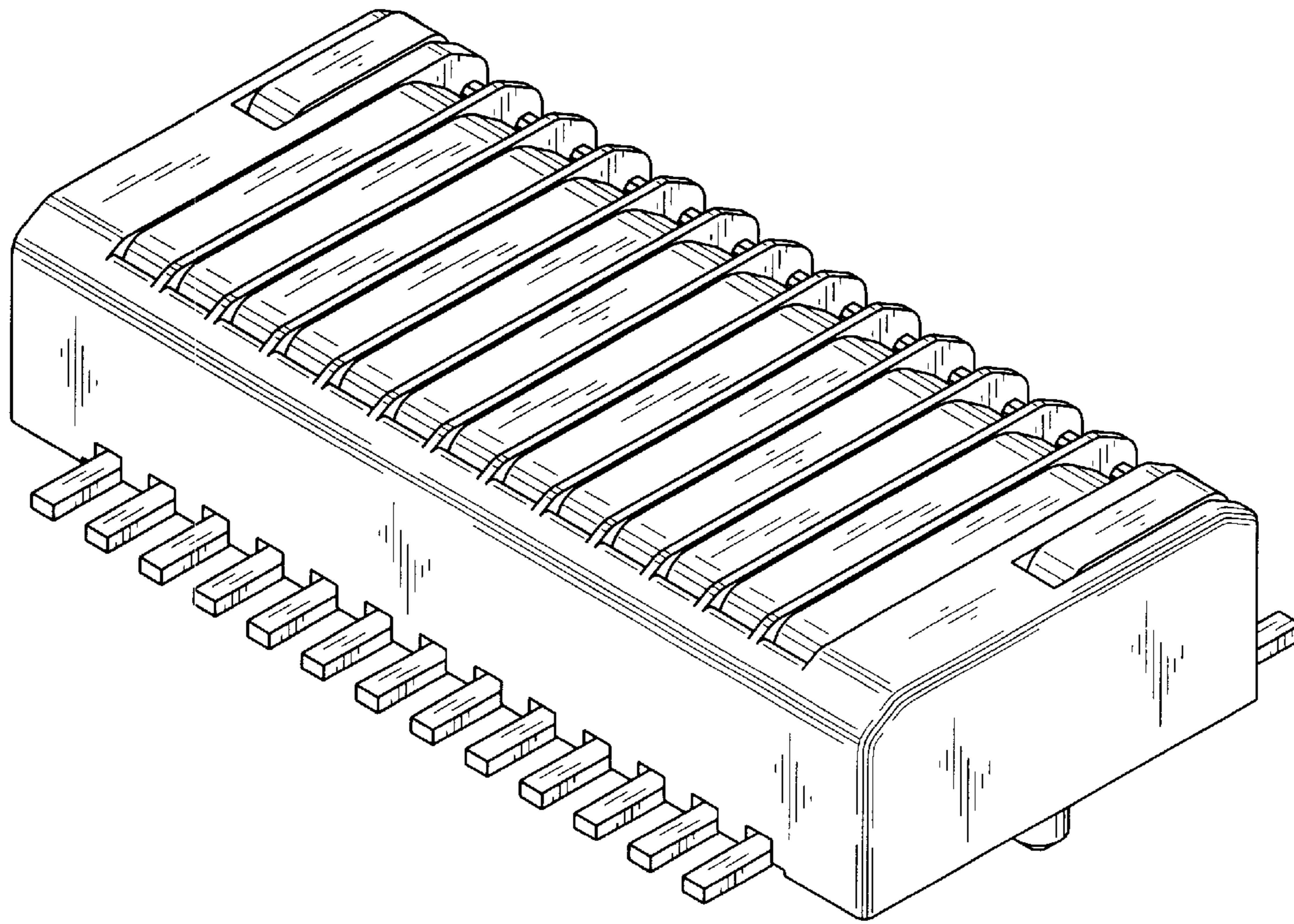
**DESCRIPTION**

FIG. 1 is a perspective view of the top, front, and right side of a connector showing our new design; FIG. 2 is a front elevational view thereof; FIG. 3 is a rear elevational view thereof; FIG. 4 is a right side elevational view thereof; FIG. 5 is a left side elevational view thereof; FIG. 6 is a top plan view thereof; and, FIG. 7 is a bottom plan view thereof.

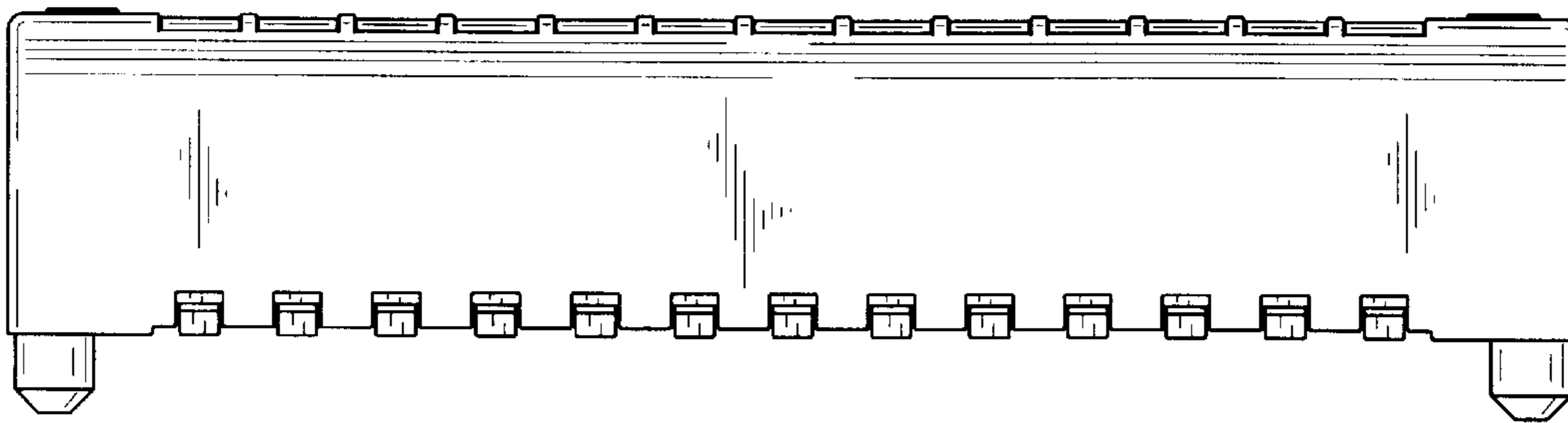
**1 Claim, 4 Drawing Sheets**



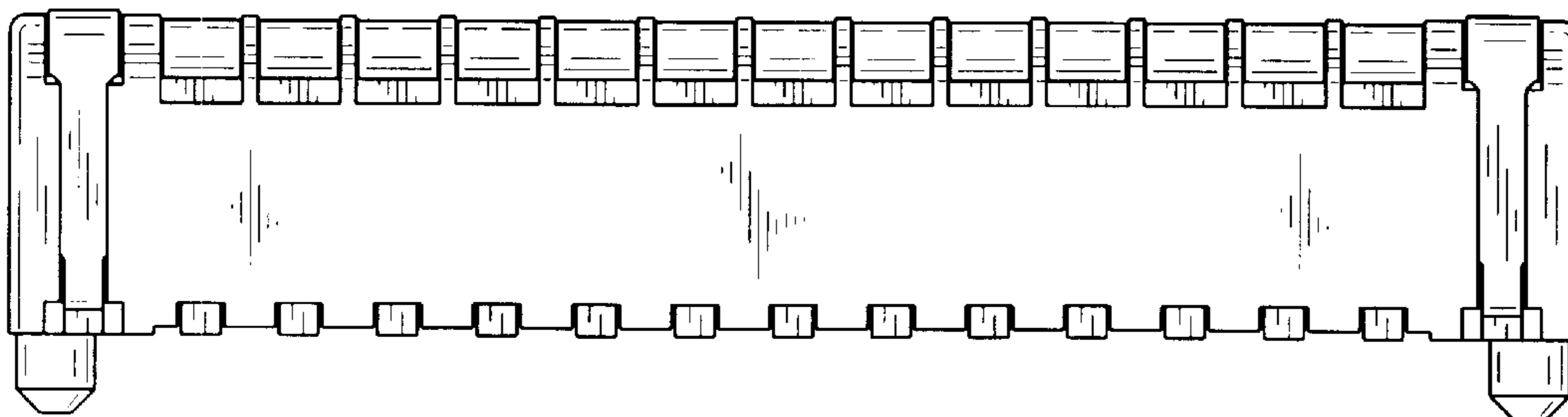
*FIG. 1*



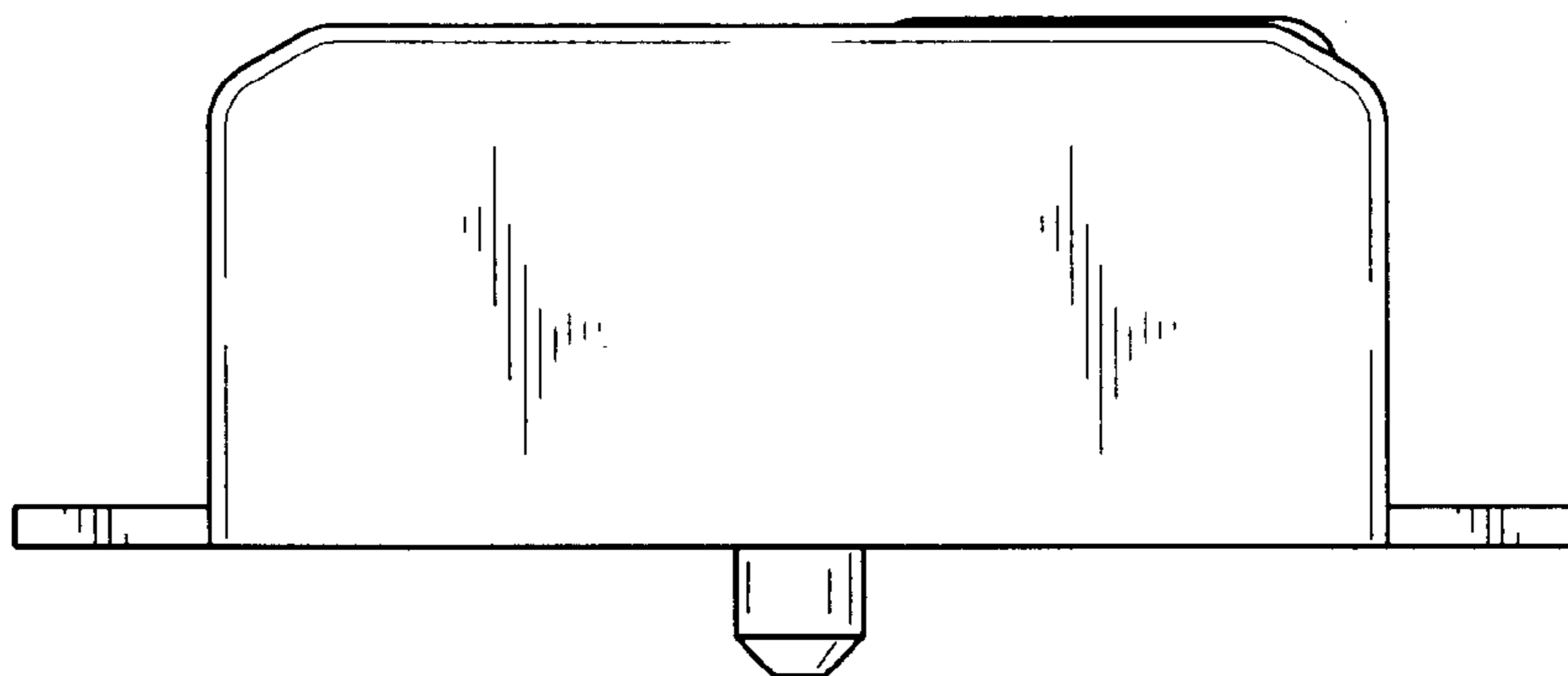
*FIG. 2*



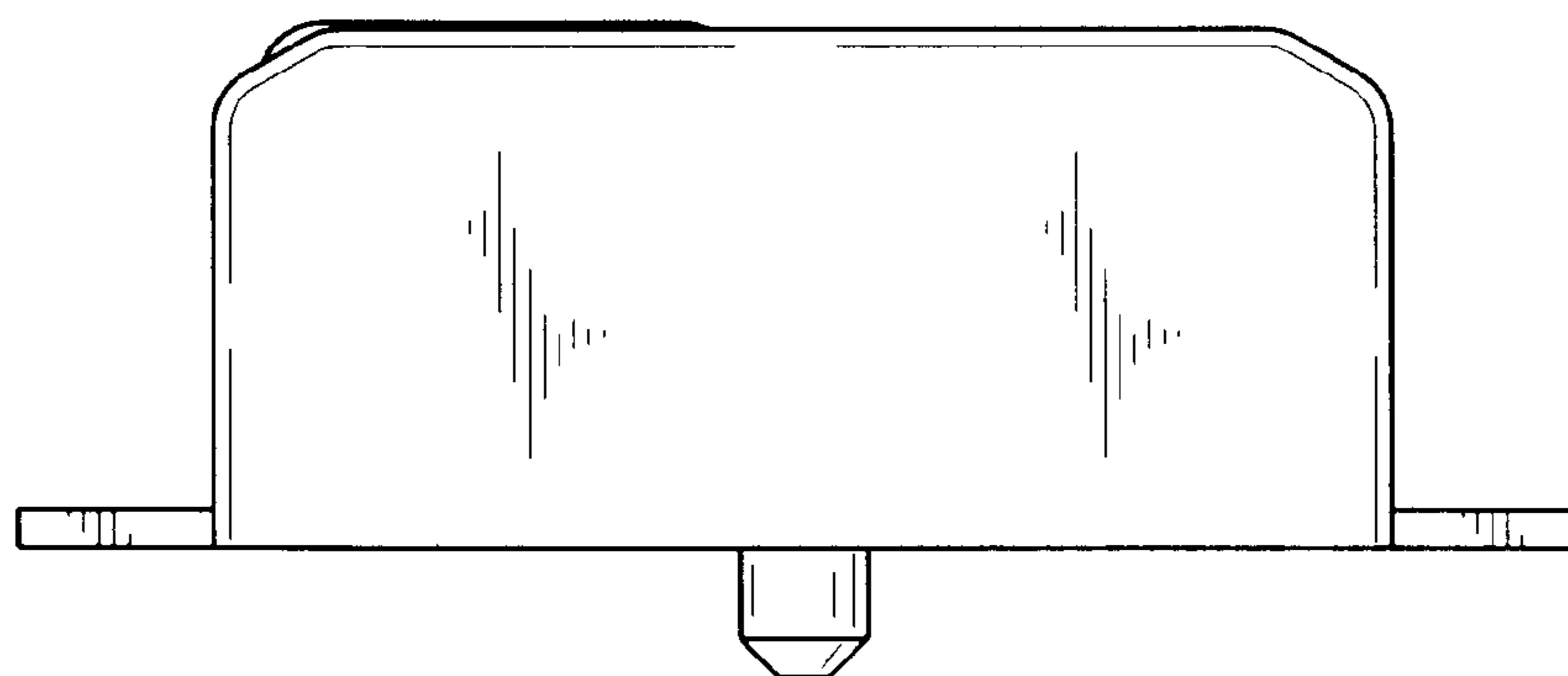
*FIG. 3*



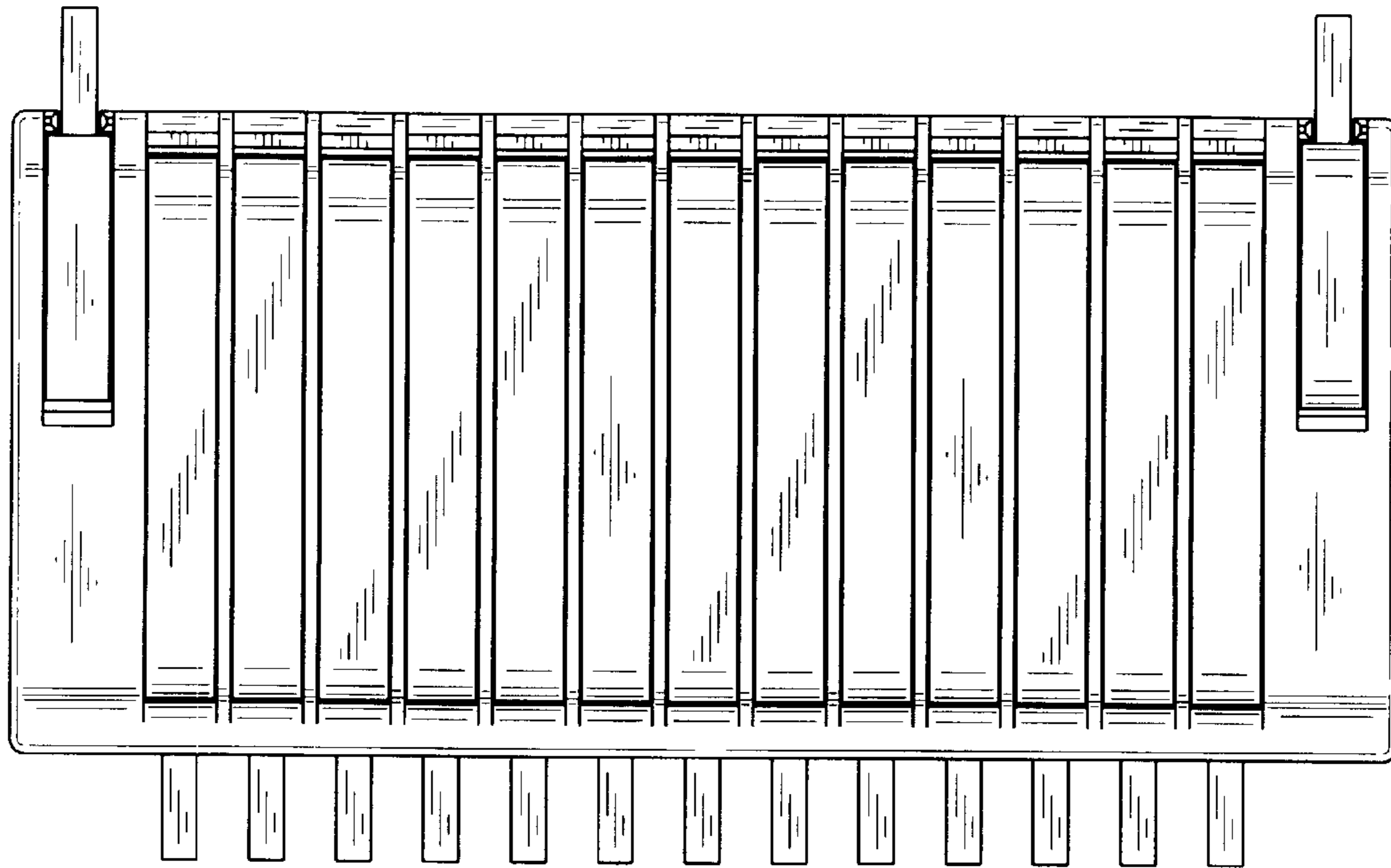
*FIG. 4*



*FIG. 5*



*FIG. 6*



*FIG. 7*

