



US00D530279S

(12) **United States Design Patent**
Tanabe et al.

(10) **Patent No.:** **US D530,279 S**
(45) **Date of Patent:** **** Oct. 17, 2006**

(54) **SIGNAL INPUT DEVICE**

D494,142 S * 8/2004 Schon D13/162
D511,150 S * 11/2005 Nurmi et al. D13/184
D512,696 S * 12/2005 Nurmi et al. D13/184

(75) Inventors: **Yoshihiro Tanabe**, Moriya (JP);
Shigeharu Oide, Tokyo-to (JP)

OTHER PUBLICATIONS

(73) Assignee: **SMC Kabushiki Kaisha**, Tokyo (JP)

Related U.S. Appl. No. 29/204,042, filed Apr. 23, 2004;
Inventor: Yoshihiro Tanabe et al.; Title: Signal Controller.
Related U.S. Appl. No. 29/204,043, filed Apr. 23, 2004;
Inventor: Yoshihiro Tanabe et al.; Title: Signal Input Device.
Related U.S. Appl. No. 29/204,044, filed Apr. 23, 2004;
Inventor: Yoshihiro Tanabe et al.; Title: Signal Converter.

(**) Term: **14 Years**

(21) Appl. No.: **29/204,045**

(22) Filed: **Apr. 23, 2004**

(30) **Foreign Application Priority Data**

Oct. 24, 2003 (JP) 2003-031498

* cited by examiner

(51) **LOC (8) Cl.** **13-03**

Primary Examiner—Stella Reid

(52) **U.S. Cl.** **D13/123**; D13/162

Assistant Examiner—Daniel Bui

(58) **Field of Classification Search** D13/123,
D13/133, 146–147, 154, 162, 164, 184, 199;
361/637, 823; 439/709, 712, 715–716
See application file for complete search history.

(74) *Attorney, Agent, or Firm*—Frishauf, Holtz, Goodman
& Chick, P.C.

(57) **CLAIM**

The ornamental design for a signal input device, as shown.

(56) **References Cited**

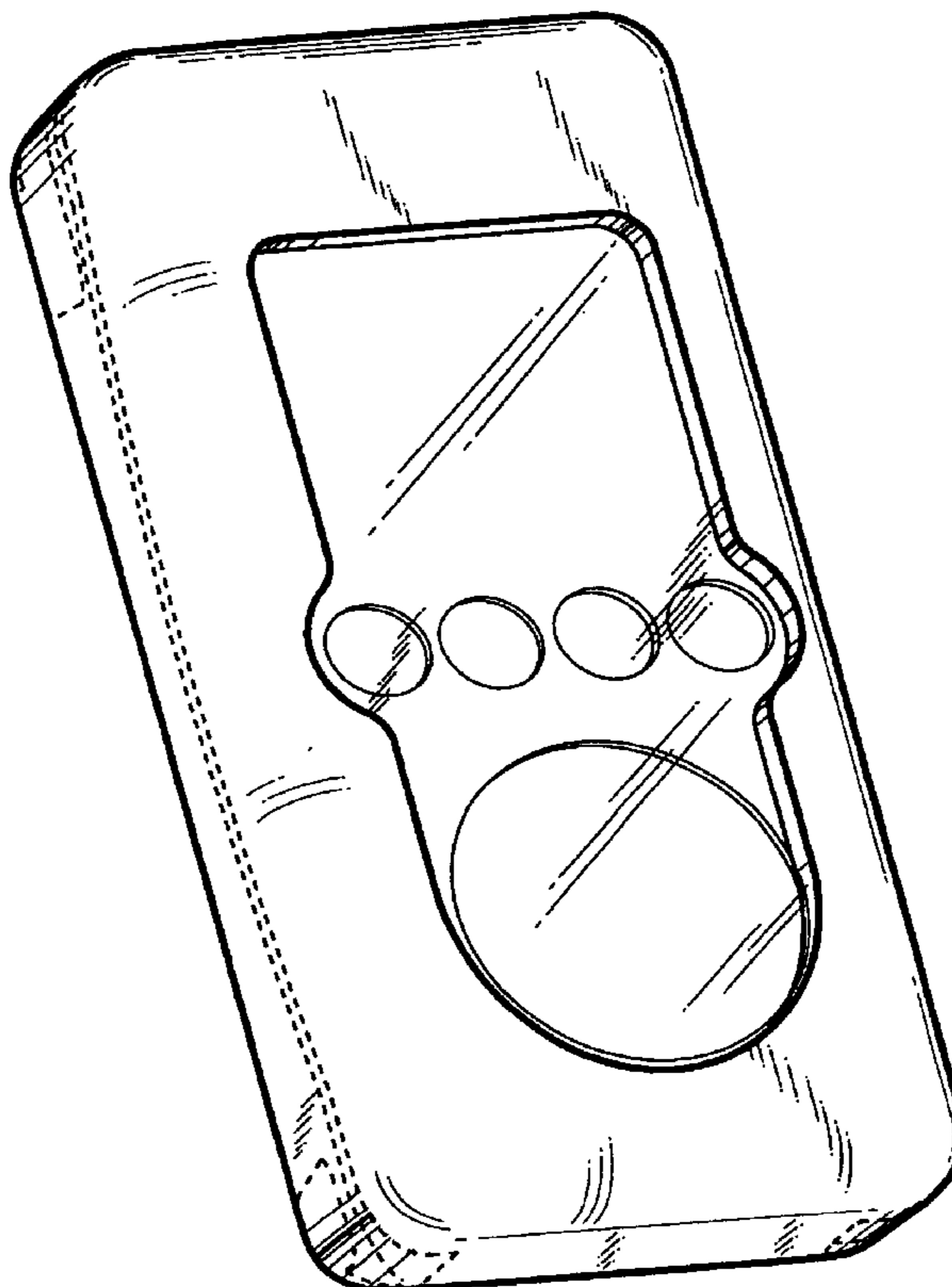
DESCRIPTION

U.S. PATENT DOCUMENTS

D329,843 S * 9/1992 Ishida D13/162
D330,012 S * 10/1992 Takahashi et al. D13/162
D358,753 S * 5/1995 Yoshida et al. D13/123
D384,037 S * 9/1997 Hamada D13/162
D384,938 S * 10/1997 Hamada et al. D13/162
D417,198 S * 11/1999 Clifton et al. D13/162
D428,600 S * 7/2000 Futami et al. D13/162
D456,782 S * 5/2002 Nagai et al. D13/162

FIG. 1 is a top, front and right-side perspective view of a
signal input device showing our new design;
FIG. 2 is a front view thereof;
FIG. 3 is a rear view thereof;
FIG. 4 is a top plan view thereof;
FIG. 5 is a bottom plan view thereof;
FIG. 6 is a right side view thereof; and,
FIG. 7 is a left side view thereof.

1 Claim, 7 Drawing Sheets



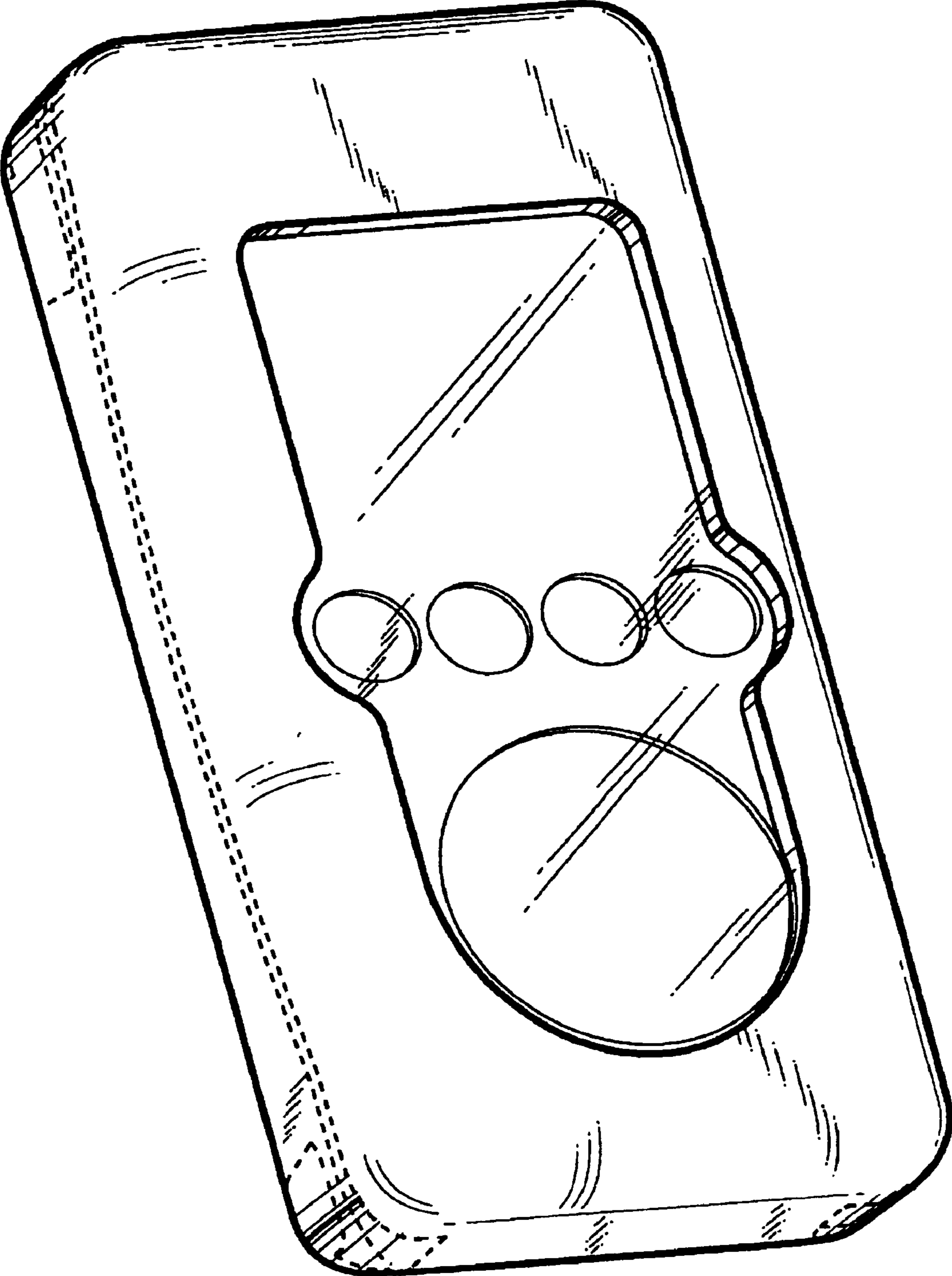


FIG. 1

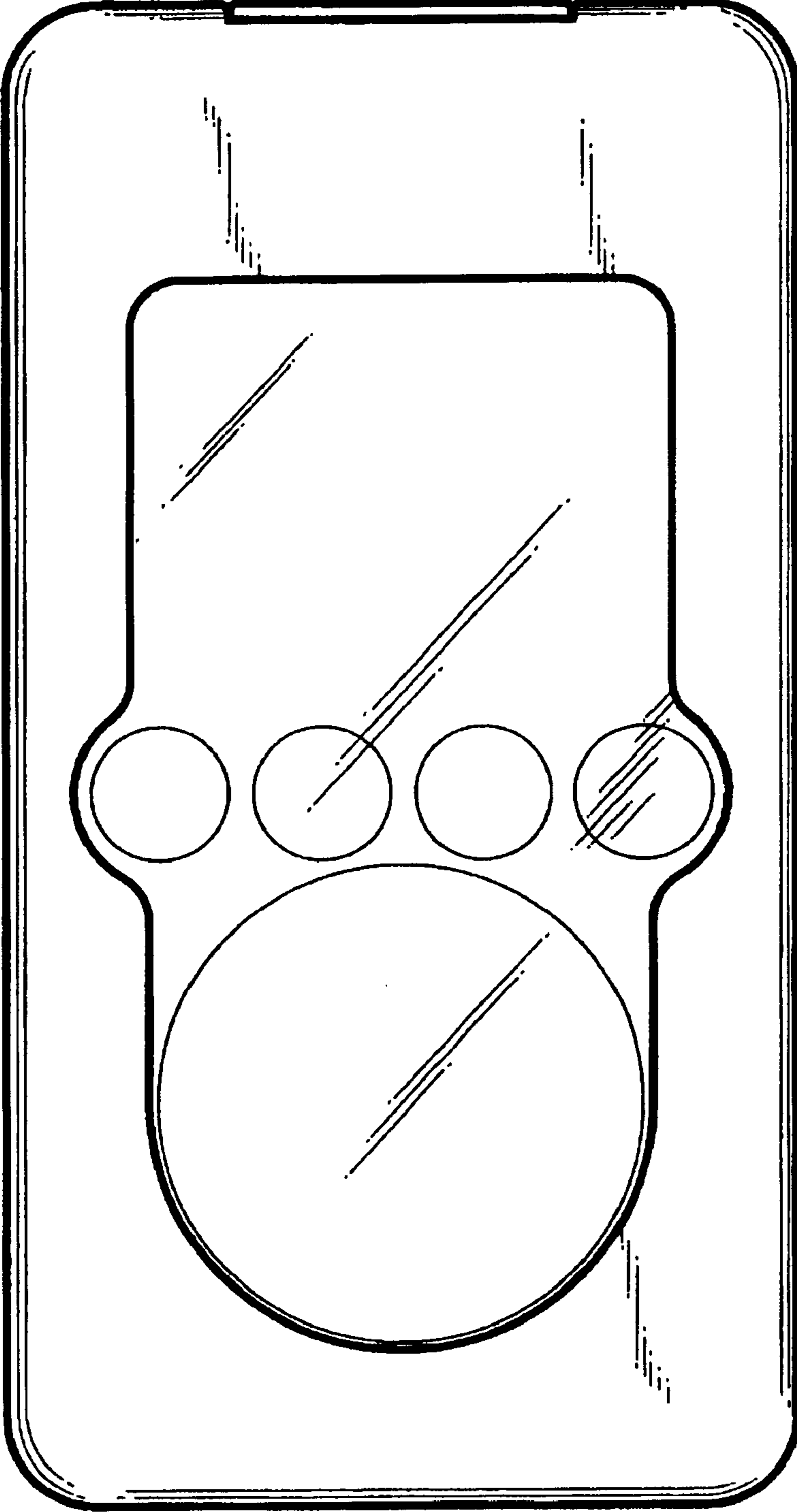


FIG. 2

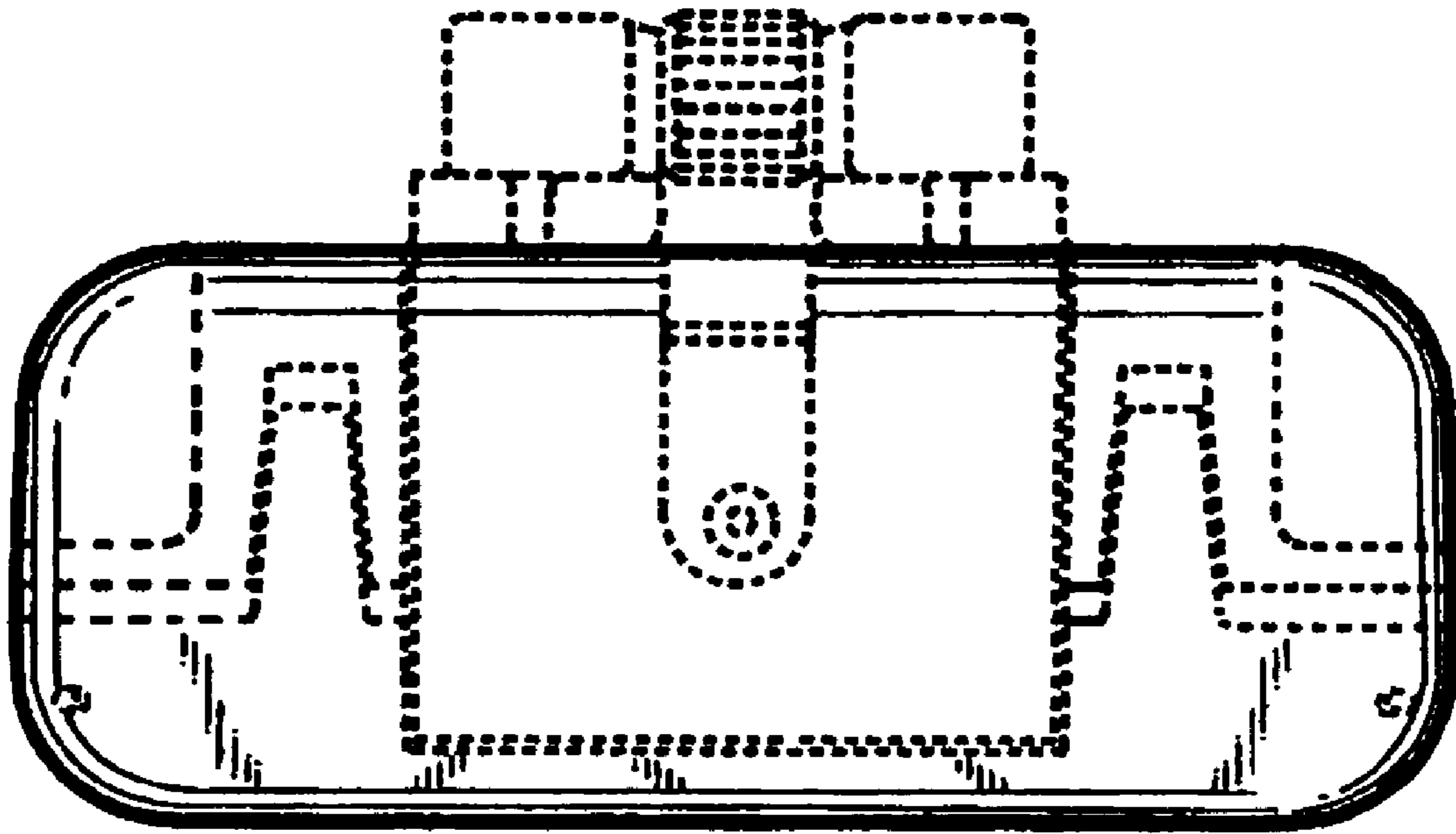


FIG. 3

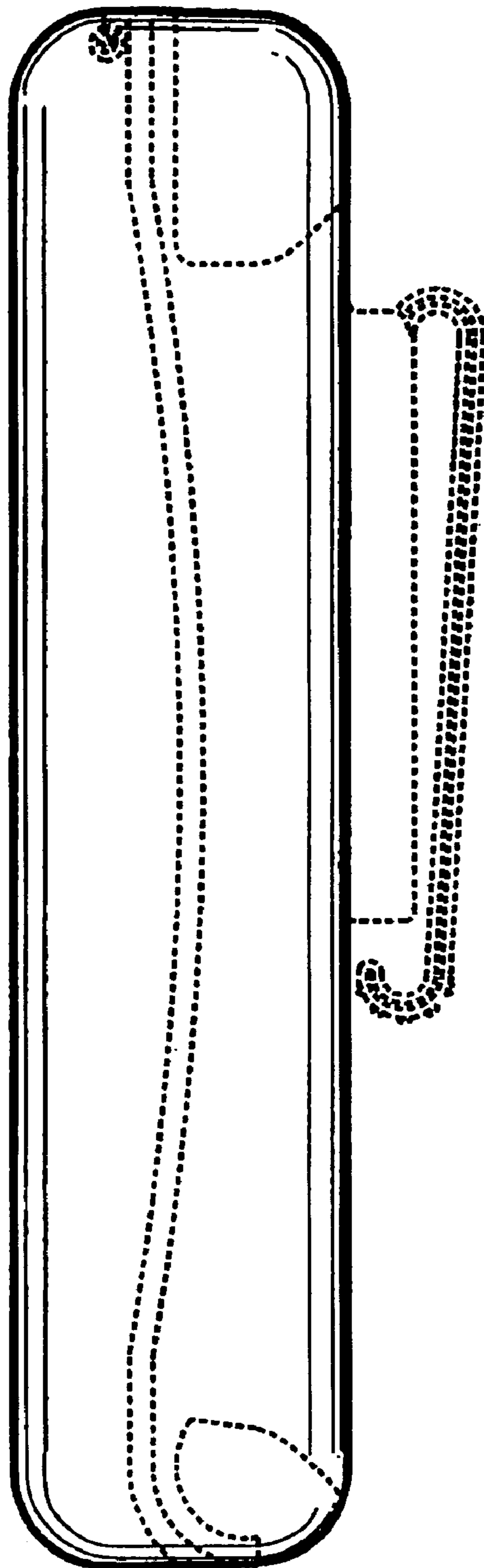


FIG. 4

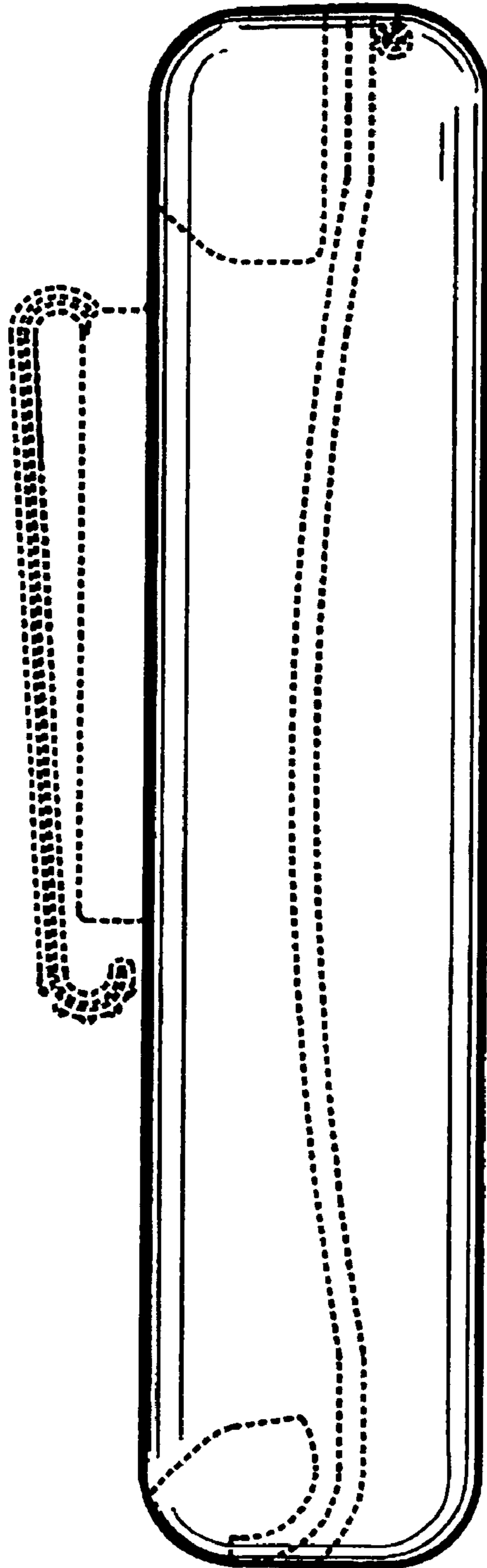


FIG. 5

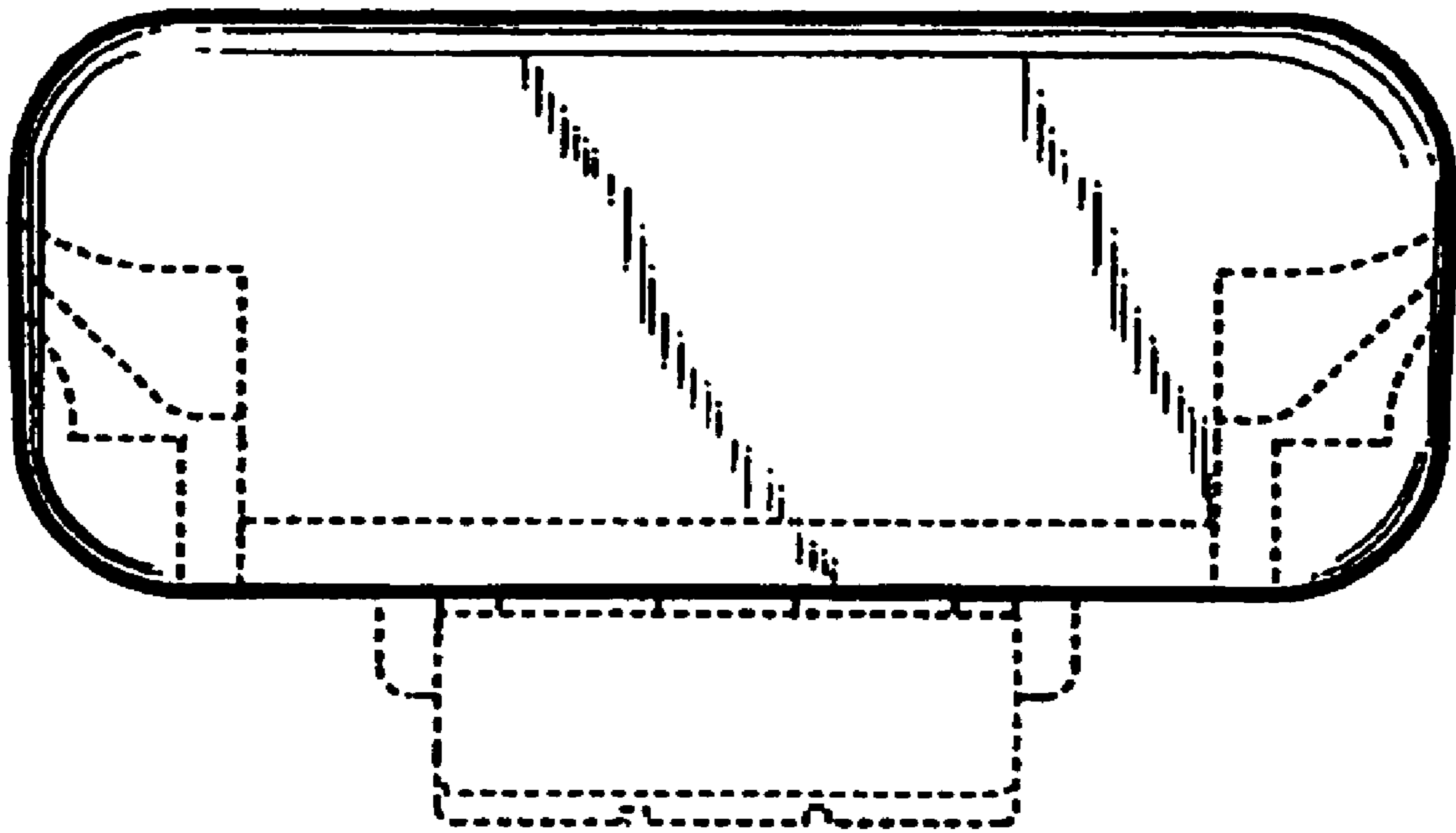


FIG. 6

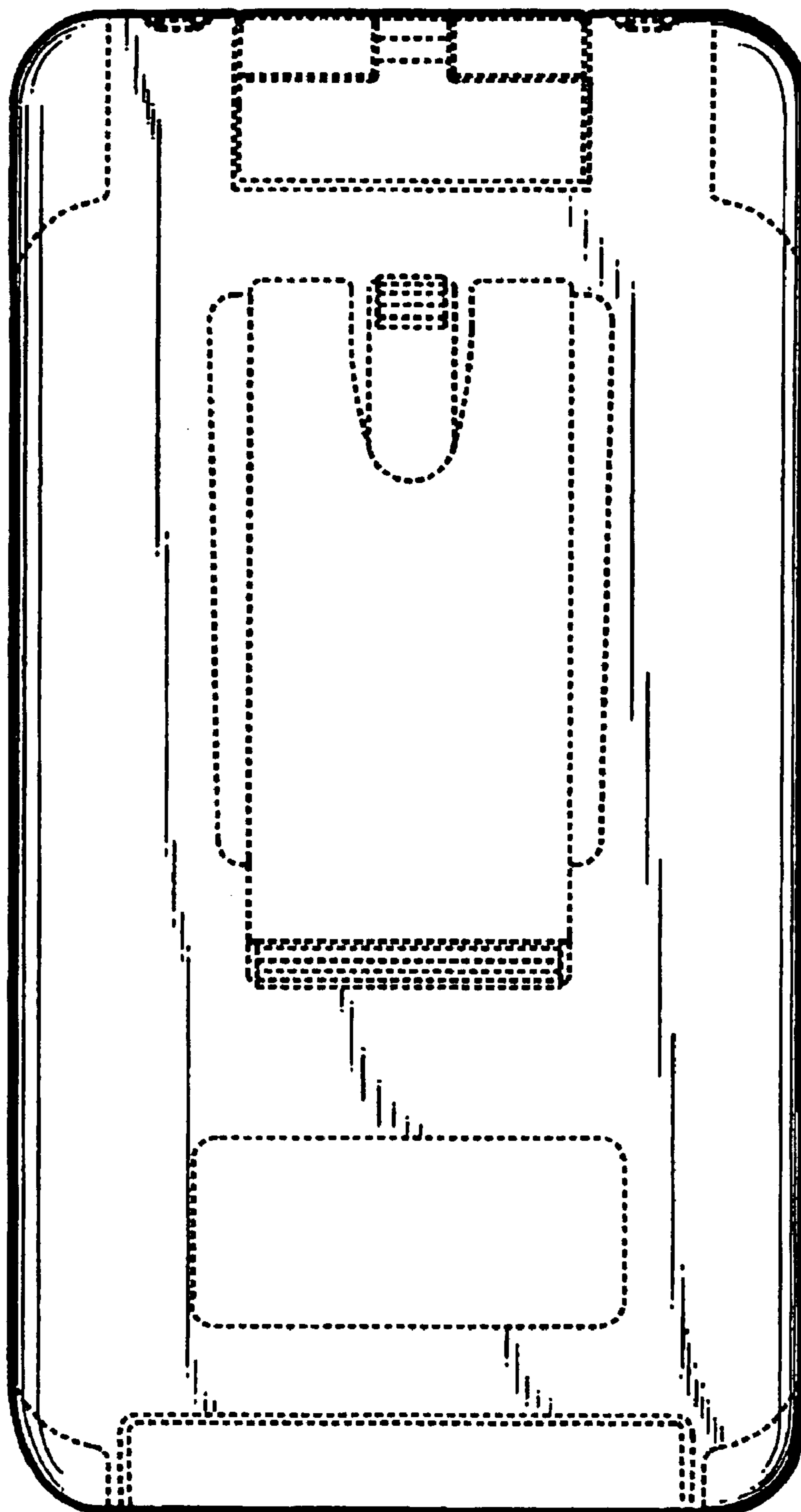


FIG. 7

UNITED STATES PATENT AND TRADEMARK OFFICE
CERTIFICATE OF CORRECTION

PATENT NO. : Des. 530,279 S
APPLICATION NO. : 29/204045
DATED : October 17, 2006
INVENTOR(S) : Yoshihiro Tanabe et al.

Page 1 of 6

It is certified that error appears in the above-identified patent and that said Letters Patent is hereby corrected as shown below:

The title page should be deleted to appear as per title page.

The sheets of drawings consisting of figures 1-7 should be deleted to appear as per attached figures.

Signed and Sealed this

Eighteenth Day of September, 2007

A handwritten signature in black ink on a light gray dotted background. The signature reads "Jon W. Dudas" in a cursive style.

JON W. DUDAS

Director of the United States Patent and Trademark Office

(12) **United States Design Patent** (10) Patent No.: **US D530,279 S**
Tanabe et al. (45) Date of Patent: **** Oct. 17, 2006**

(54) **SIGNAL INPUT DEVICE**

(75) Inventors: **Yoshihiro Tanabe, Mariya (JP);
 Shigeharu Oide, Tokyo-to (JP)**

(73) Assignee: **SMC Kabushiki Kaisha, Tokyo (JP)**

(**) Term: **14 Years**

D494,142 S * 8/2004 Schon D13/162
 D511,150 S * 11/2005 Nurmi et al. D13/184
 D512,696 S * 12/2005 Nurmi et al. D13/184

OTHER PUBLICATIONS

Related U.S. Appl. No. 29/204,042, filed Apr. 23, 2004;
 Inventor: Yoshihiro Tanabe et al.; Title: Signal Controller.
 Related U.S. Appl. No. 29/204,043, filed Apr. 23, 2004;
 Inventor: Yoshihiro Tanabe et al.; Title: Signal Input Device.
 Related U.S. Appl. No. 29/204,044, filed Apr. 23, 2004;
 Inventor: Yoshihiro Tanabe et al.; Title: Signal Converter.

* cited by examiner

Primary Examiner—Stella Reid
Assistant Examiner—Daniel Bui
 (74) *Attorney, Agent, or Firm*—Prishauf, Holtz, Goodman
 & Chick, P.C.

(30) **Foreign Application Priority Data**

Oct. 24, 2003 (JP) 2003-031498

(51) **LOC (8) Cl.** 13-03
 (52) **U.S. Cl.** D13/123; D13/162
 (58) **Field of Classification Search** D13/123,
 D13/133, 146-147, 154, 162, 164, 184, 199;
 361/637, 823; 439/709, 712, 715-716
 See application file for complete search history.

(57) **CLAIM**

The ornamental design for a signal input device, as shown.

DESCRIPTION

FIG. 1 is a top, front and right-side perspective view of a signal input device showing our new design;
 FIG. 2 is a front view thereof;
 FIG. 3 is a rear view thereof;
 FIG. 4 is a top plan view thereof;
 FIG. 5 is a bottom plan view thereof;
 FIG. 6 is a right side view thereof; and,
 FIG. 7 is a left side view thereof.

1 Claim, 7 Drawing Sheets

(56) **References Cited**

U.S. PATENT DOCUMENTS

D329,843 S * 9/1992 Ishida D13/162
 D330,012 S * 10/1992 Takahashi et al. D13/162
 D358,753 S * 9/1995 Yoshida et al. D13/123
 D384,037 S * 9/1997 Hamada D13/162
 D384,038 S * 10/1997 Hamada et al. D13/162
 D417,198 S * 11/1999 Clifton et al. D13/162
 D428,600 S * 7/2000 Furami et al. D13/162
 D456,782 S * 5/2002 Nagai et al. D13/162

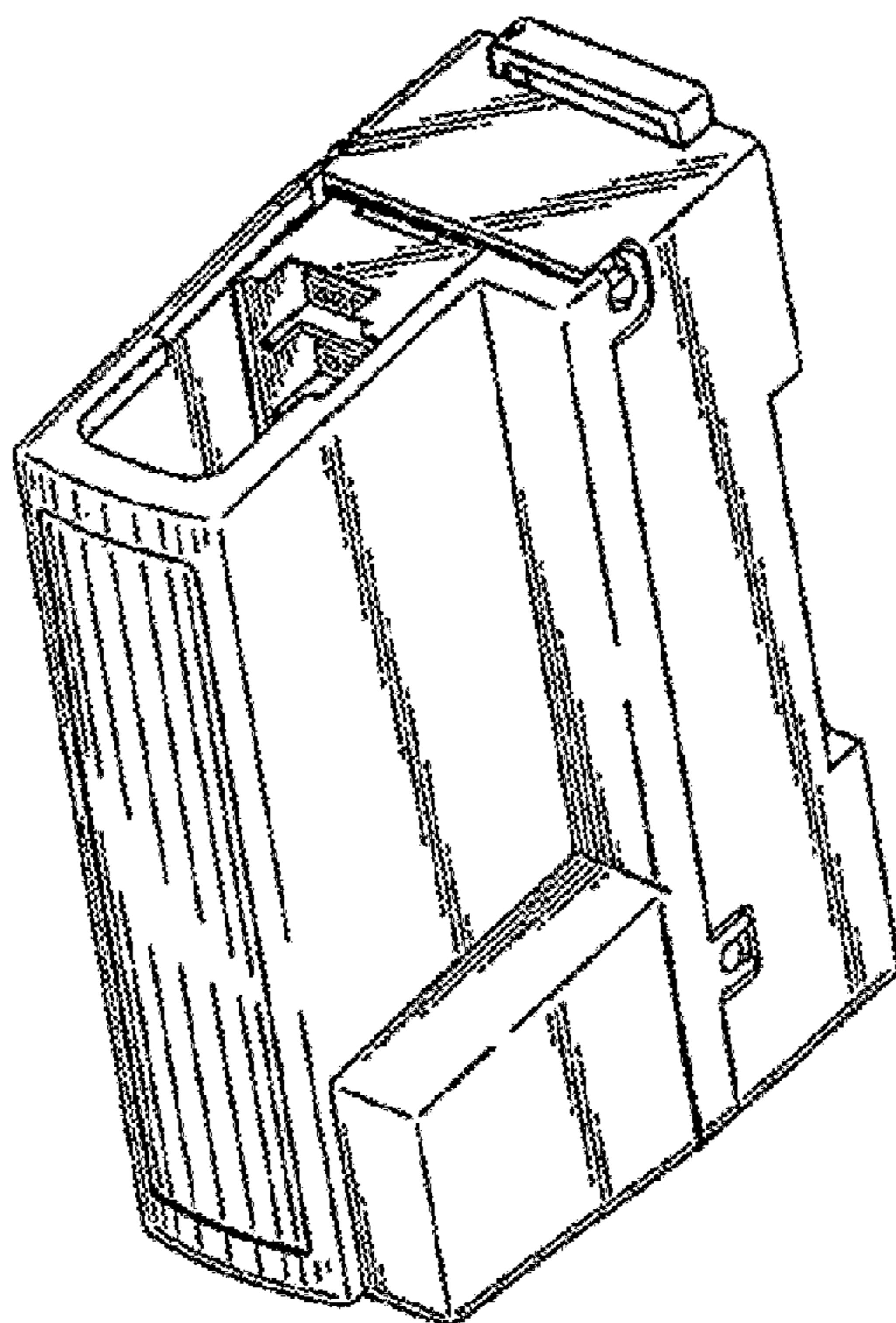
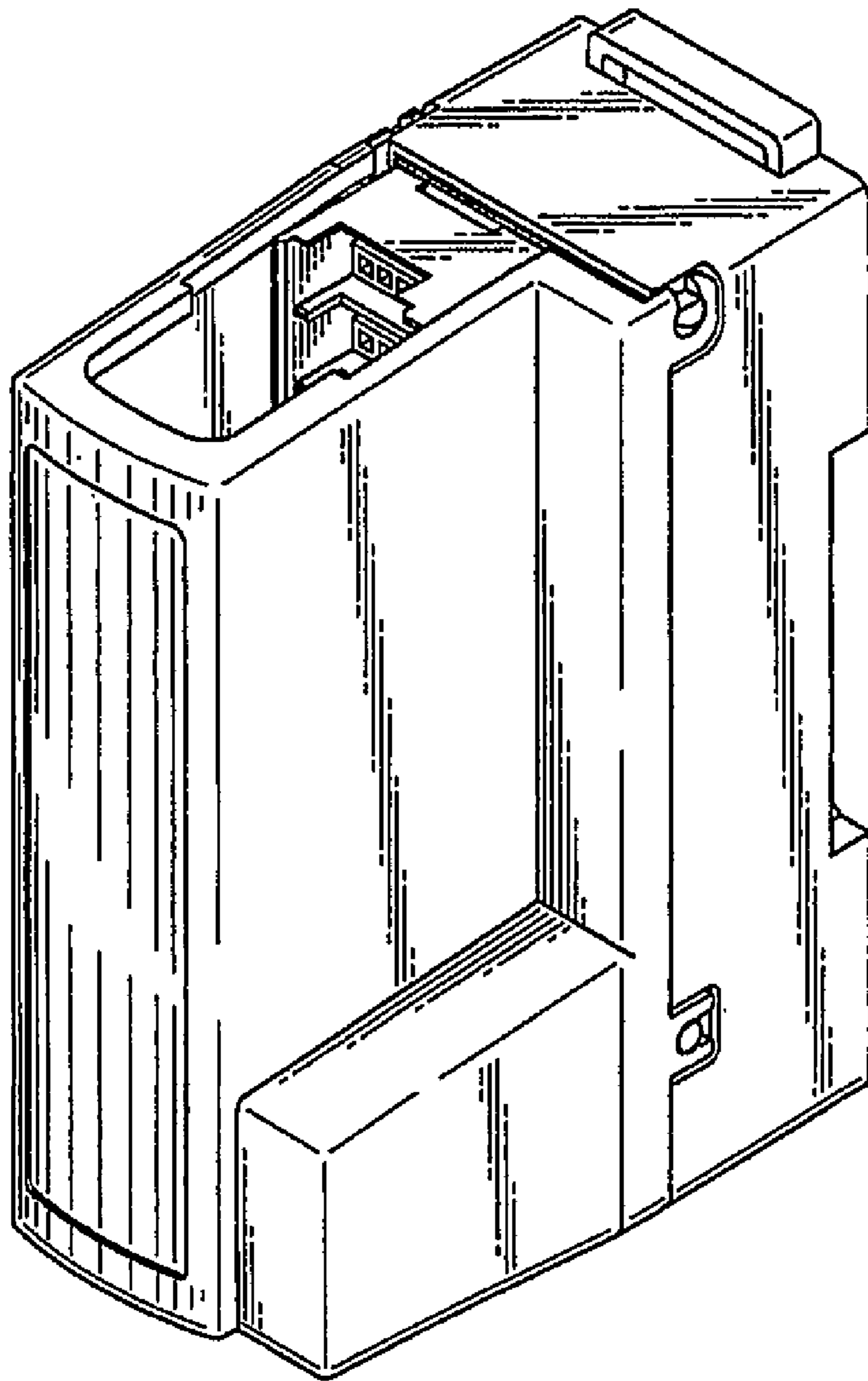


FIG. 1



U.S. Patent

Oct. 17, 2006

Sheet 2 of 4

D530,279 S

FIG. 2

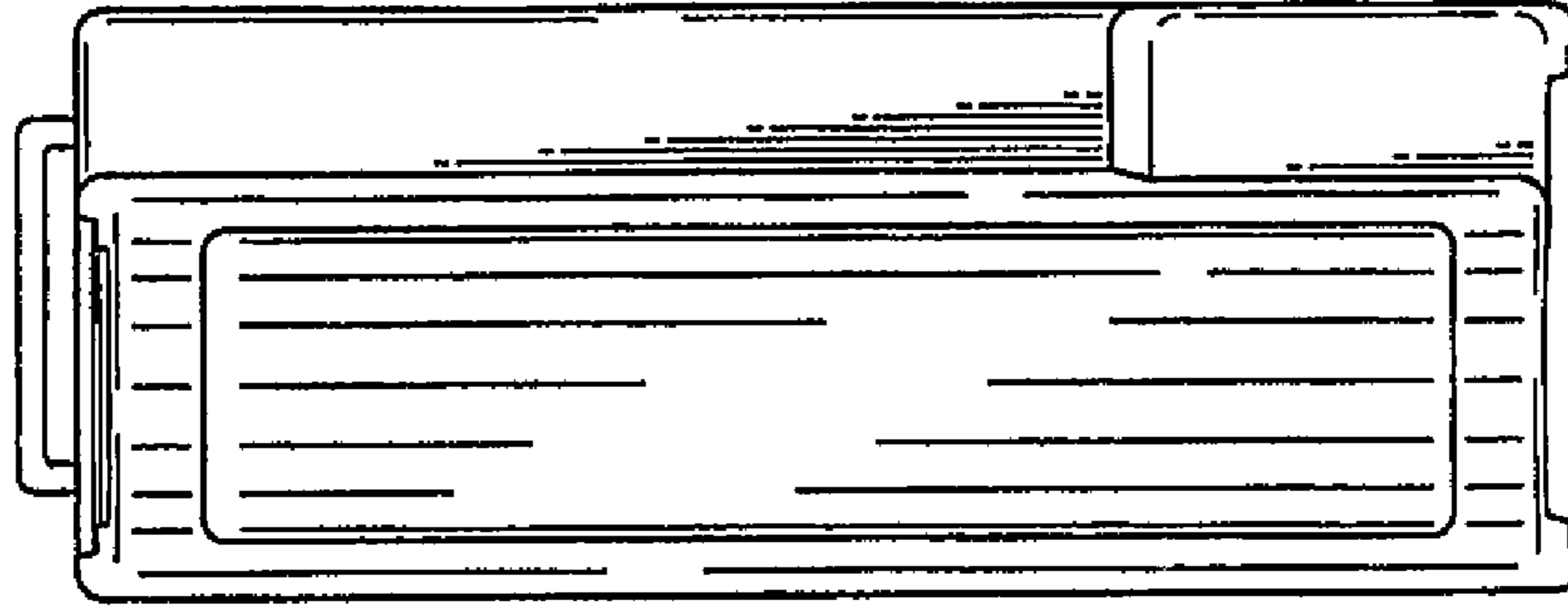


FIG. 3

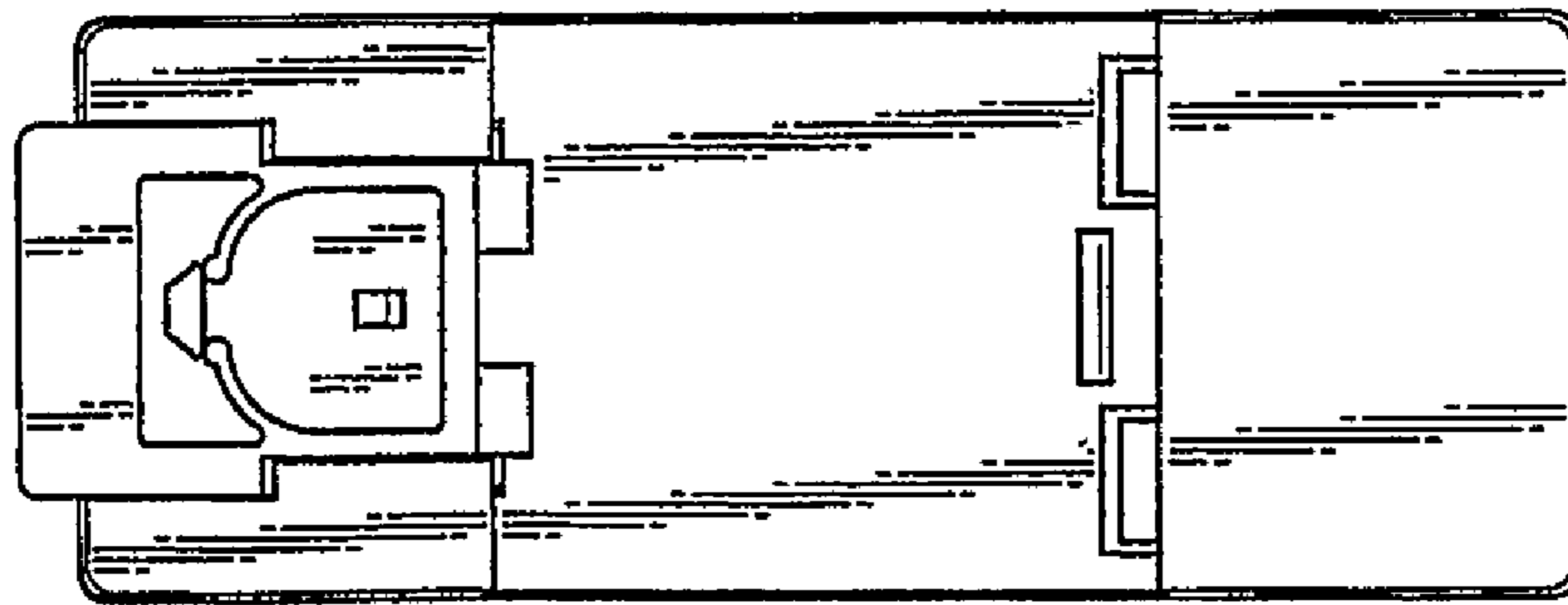


FIG. 4

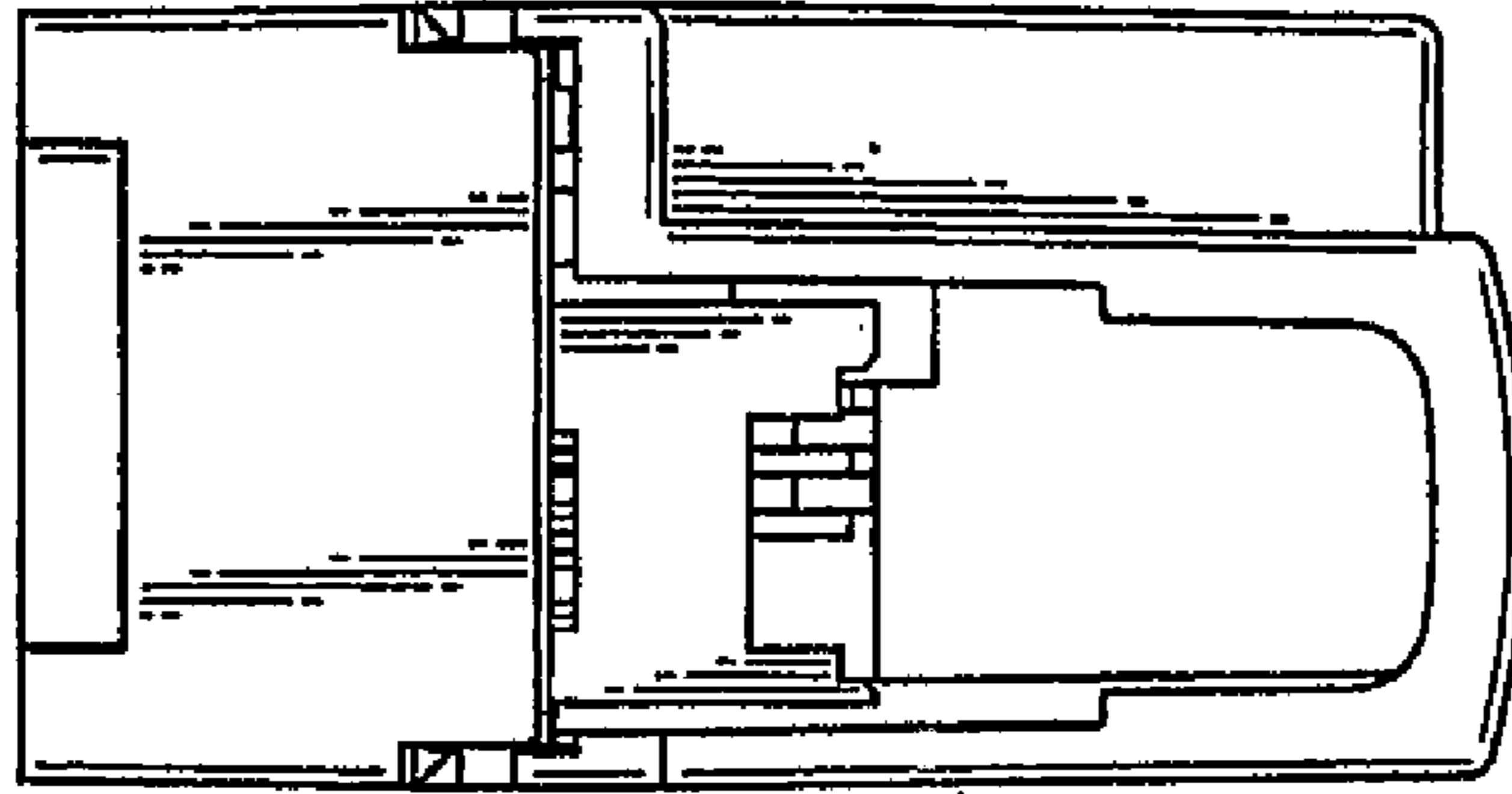


FIG. 5

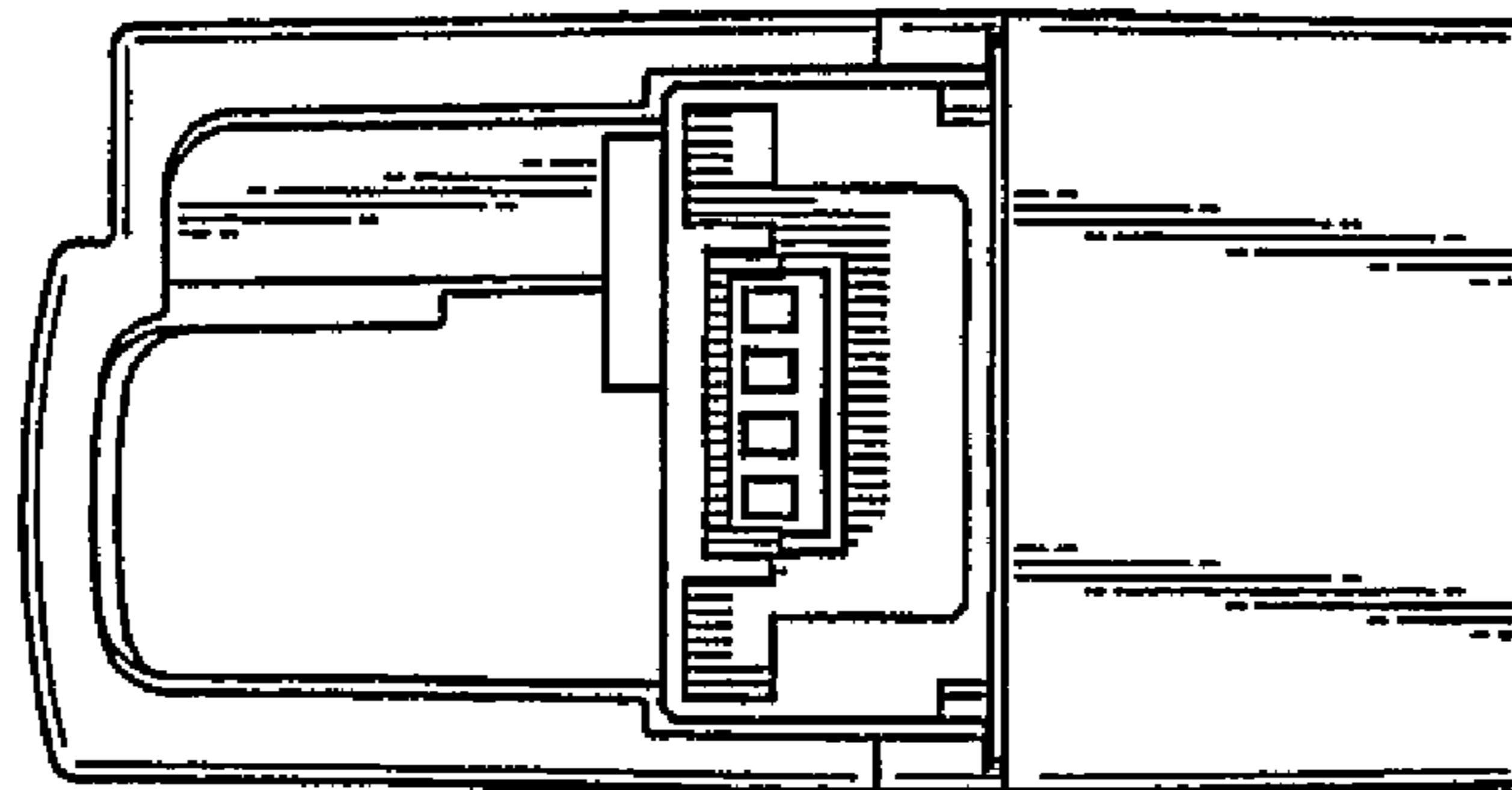


FIG. 6

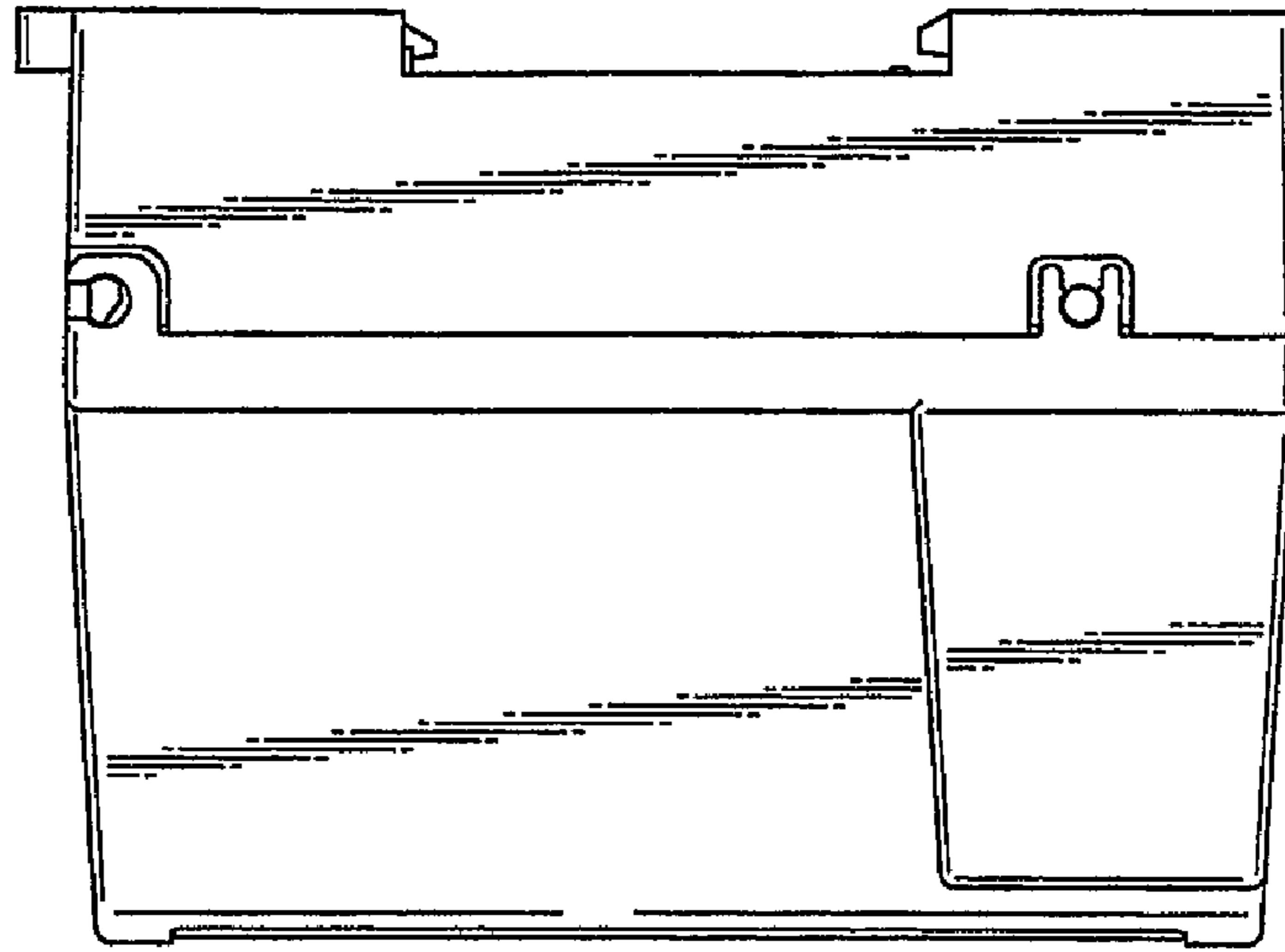


FIG. 7

