



US00D530278S

(12) **United States Design Patent**
Lyle et al.

(10) **Patent No.:** **US D530,278 S**
(45) **Date of Patent:** **** Oct. 17, 2006**

(54) **COVER FOR ELECTRIC MOTOR**

6,657,338 B1 12/2003 Fisher et al.

(75) Inventors: **David M. Lyle**, O'Fallon, MO (US);
Timothy J. Druhe, Granite City, IL (US)

(73) Assignee: **Emerson Electric Co.**, St. Louis, MO (US)

(**) Term: **14 Years**

(21) Appl. No.: **29/201,595**

(22) Filed: **Mar. 17, 2004**

(51) **LOC (8) Cl.** **13-01**

(52) **U.S. Cl.** **D13/122**

(58) **Field of Classification Search** D13/118,
D13/122; 310/89, 158-159, 177, 254, 272-273
See application file for complete search history.

(56) **References Cited**

U.S. PATENT DOCUMENTS

D181,733	S	*	12/1957	Kerr	D13/122
D210,213	S	*	2/1968	Tomkinson	D13/122
D213,626	S	*	3/1969	Tomkinson	D13/122
D275,478	S	*	9/1984	Griggs	D13/122
4,593,163	A		6/1986	Fisher		
4,716,326	A		12/1987	Fisher		
4,746,828	A	*	5/1988	Nado et al.	310/90
4,858,303	A		8/1989	Fisher		
5,006,743	A		4/1991	King et al.		
5,278,469	A		1/1994	Weber et al.		
5,697,769	A	*	12/1997	Kobman et al.	417/410.1
D416,227	S	*	11/1999	Egan	D13/122
6,005,471	A	*	12/1999	Higashikata et al.	337/347
6,541,883	B1	*	4/2003	Uffelman	310/71

OTHER PUBLICATIONS

A.O. Smith Electrical Products Company, Century Flex-48 Pool & Spa Assembly, Drawing and Four (4) photographs, undated, shown as "Magnetek" century LASAR, Pool & Spa Motor.

Five (5) photographs of cover for motor, undated, made by A.O. Smith Electrical Products Company.

* cited by examiner

Primary Examiner—Stella Reid

Assistant Examiner—Daniel Bui

(74) *Attorney, Agent, or Firm*—Harness, Dickey & Pierce, P.L.C.

(57) **CLAIM**

The ornamental design for a cover for electric motor, as shown and described.

DESCRIPTION

FIG. 1 is a perspective view of a cover for electric motor showing our new design;

FIG. 2 is a front elevational view thereof;

FIG. 3 is a rear elevational view thereof;

FIG. 4 is a top plan view thereof;

FIG. 5 is a bottom plan view thereof;

FIG. 6 is a right side elevational view thereof;

FIG. 7 is a left side elevational view thereof; and,

FIG. 8 is a perspective view thereof at an installed position, portions of the view shown in phantom forming no part of the design.

1 Claim, 5 Drawing Sheets

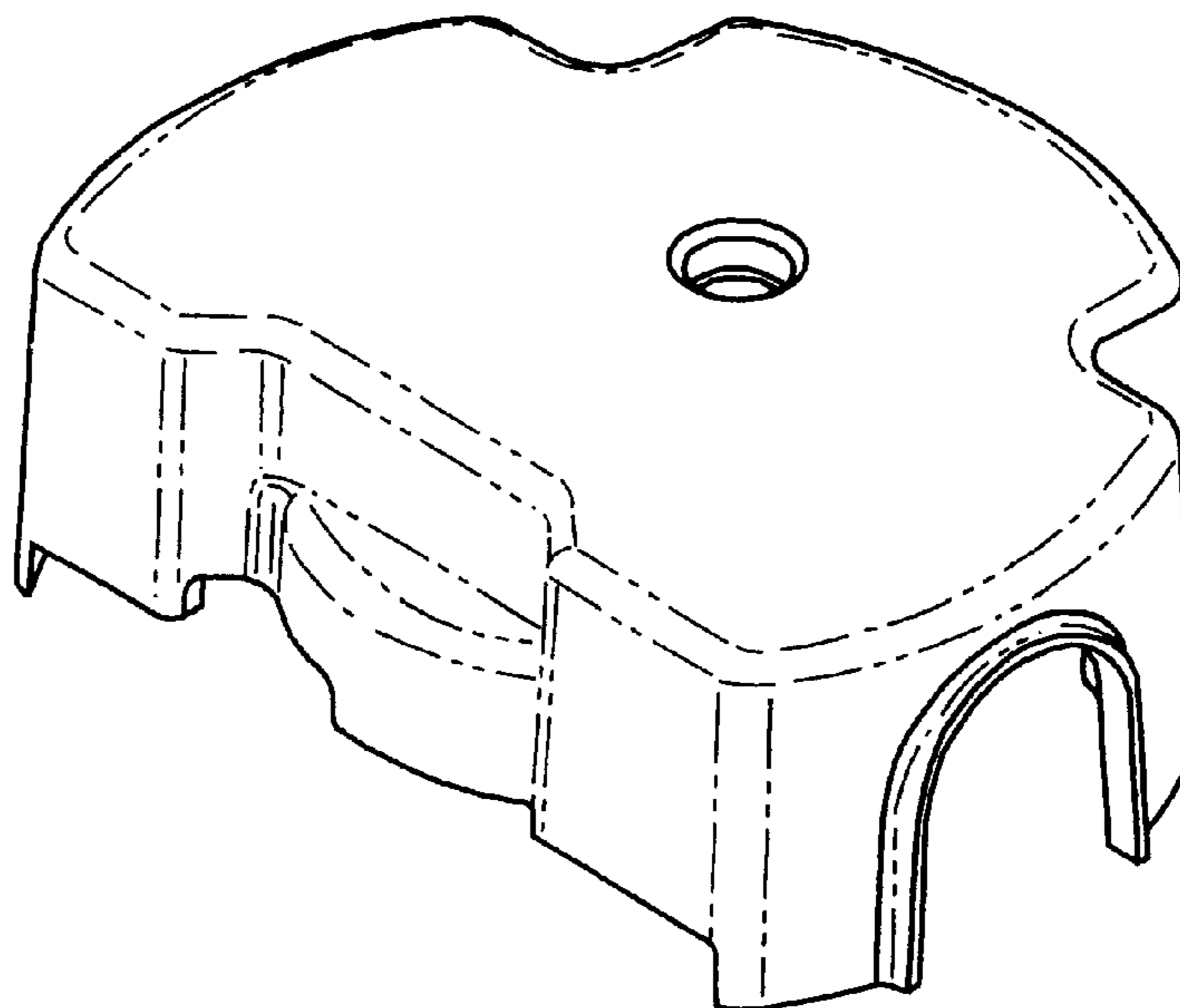


FIG. 1

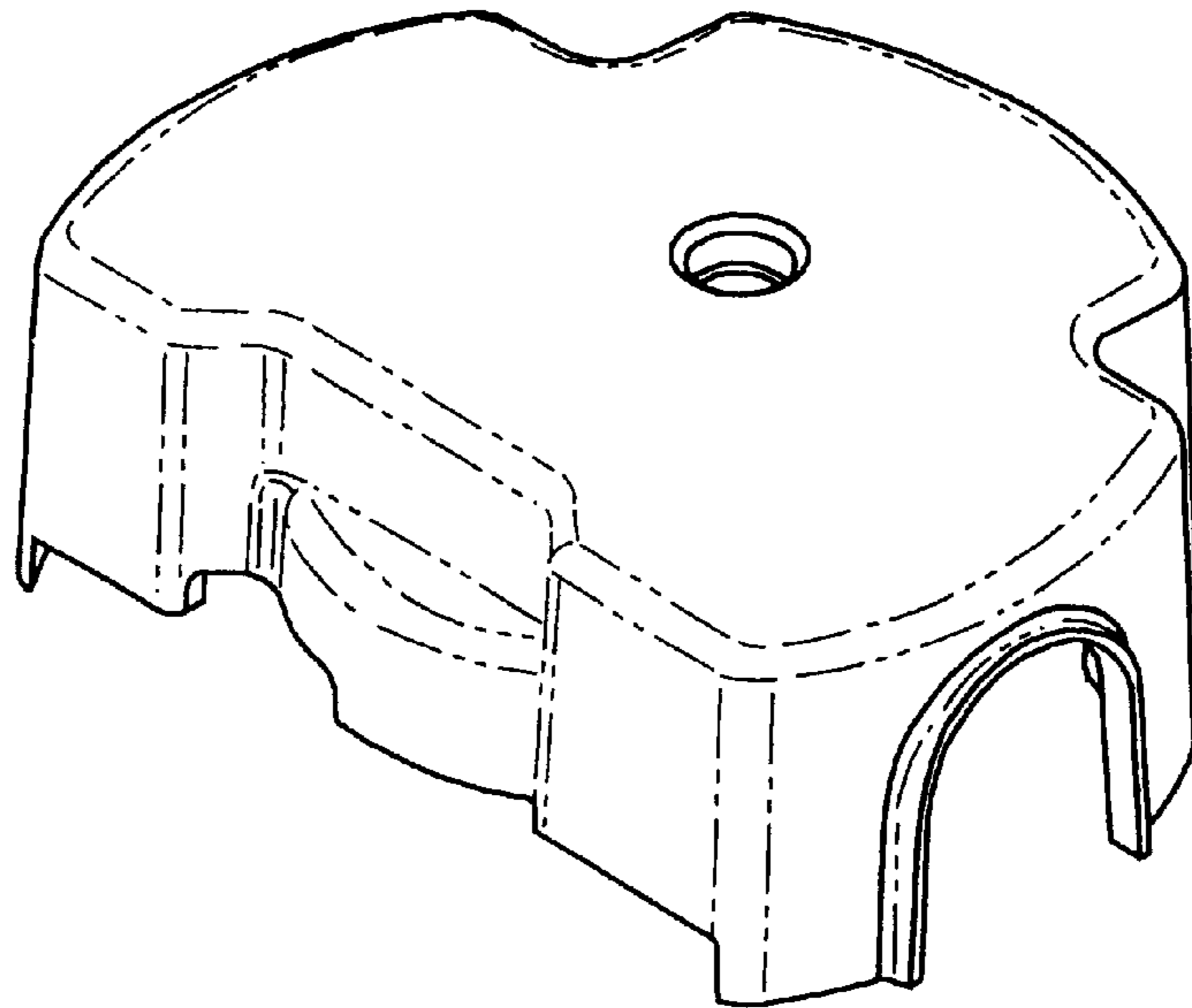


FIG. 2

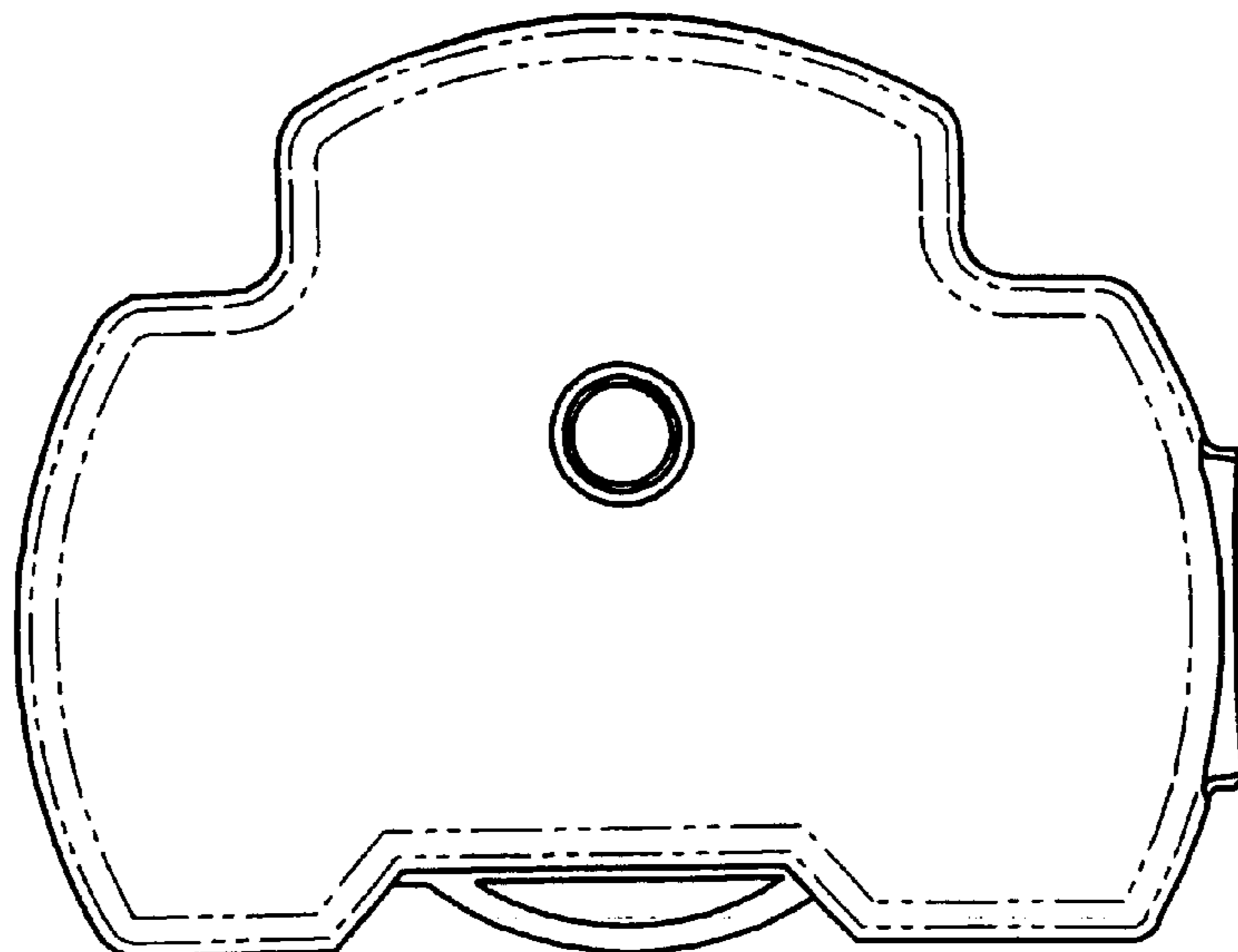


FIG. 3

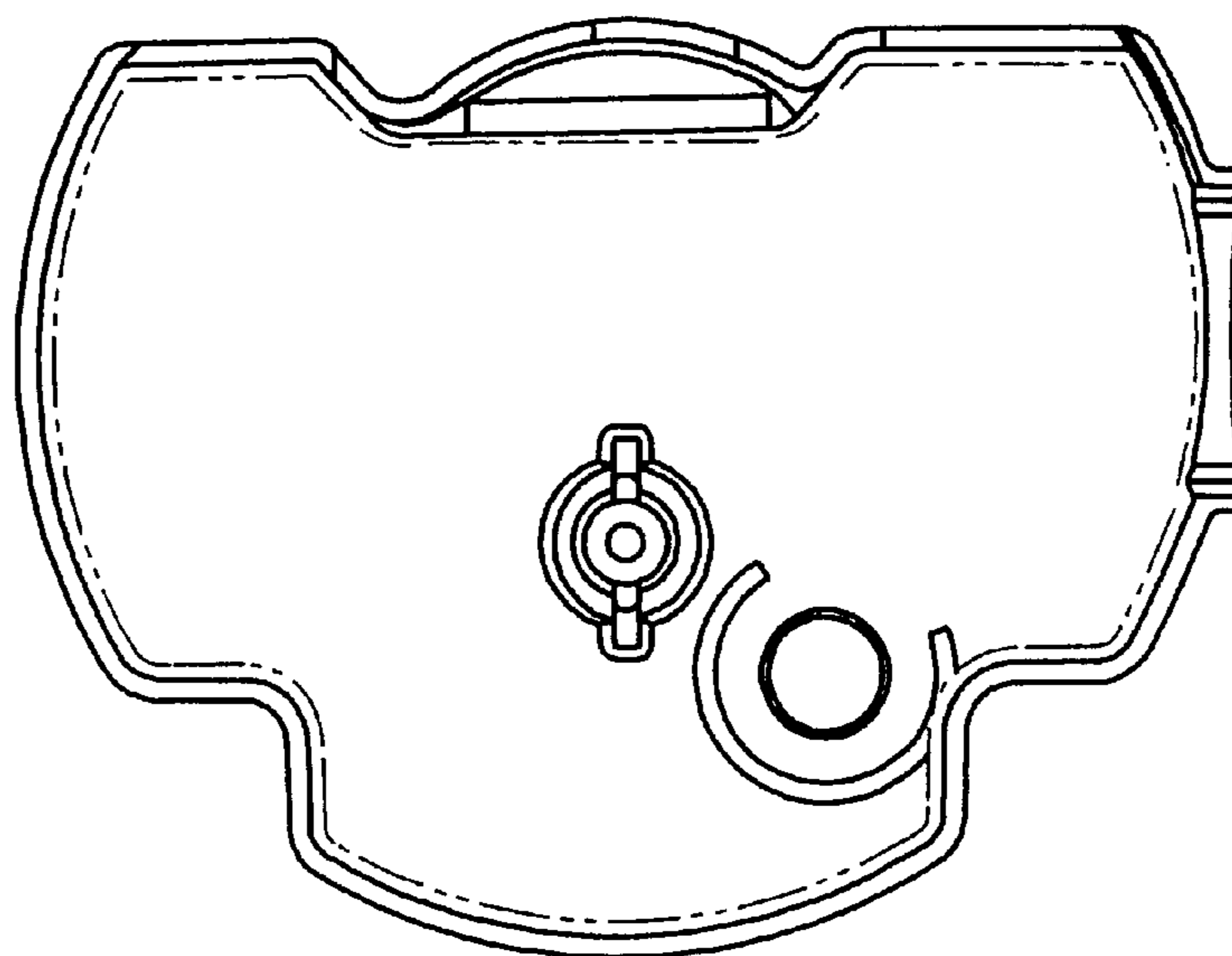


FIG. 4

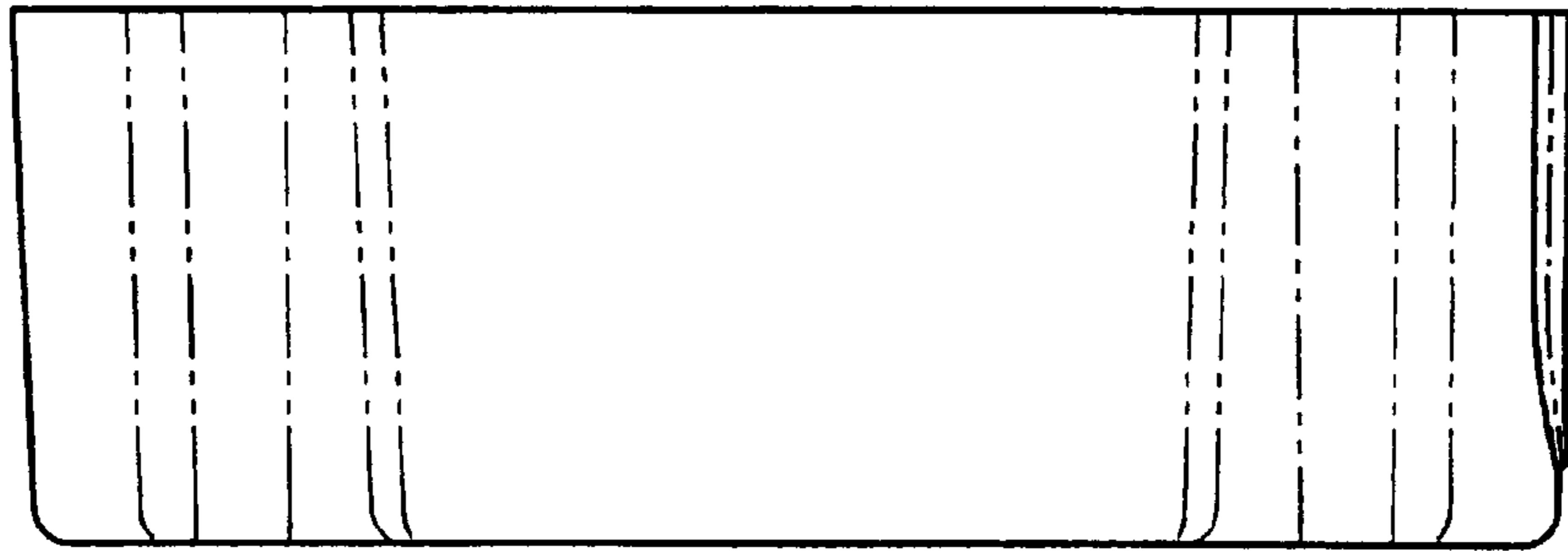


FIG. 5

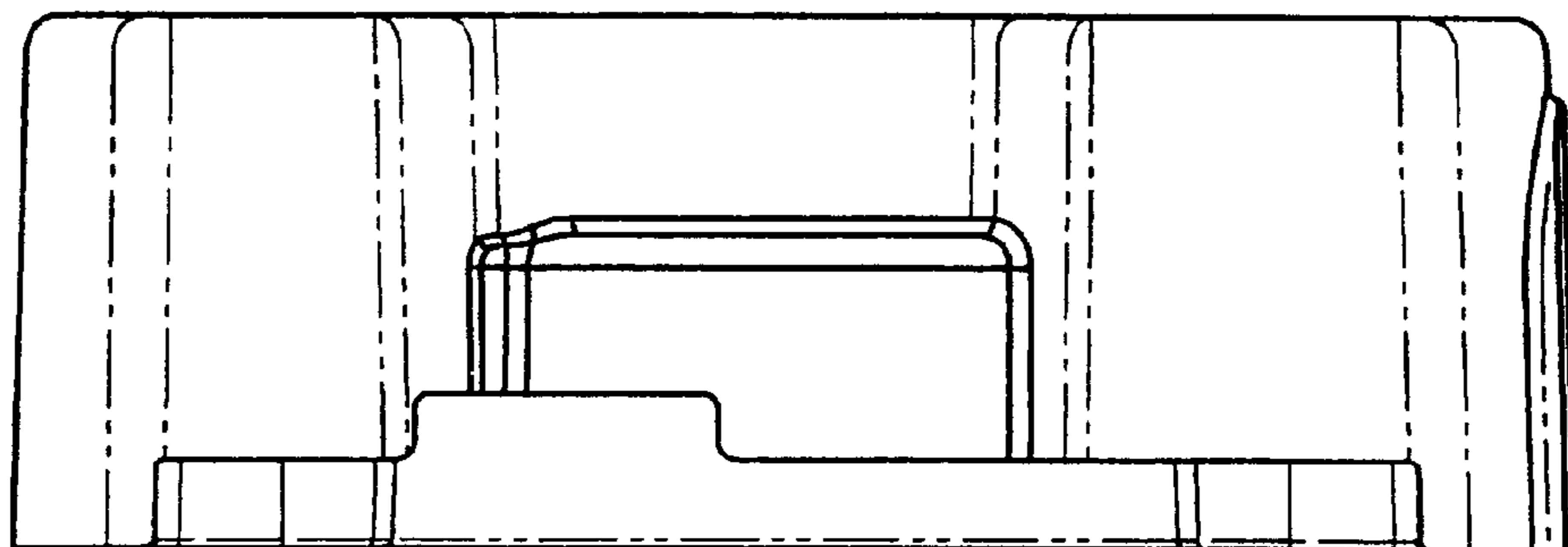


FIG. 6

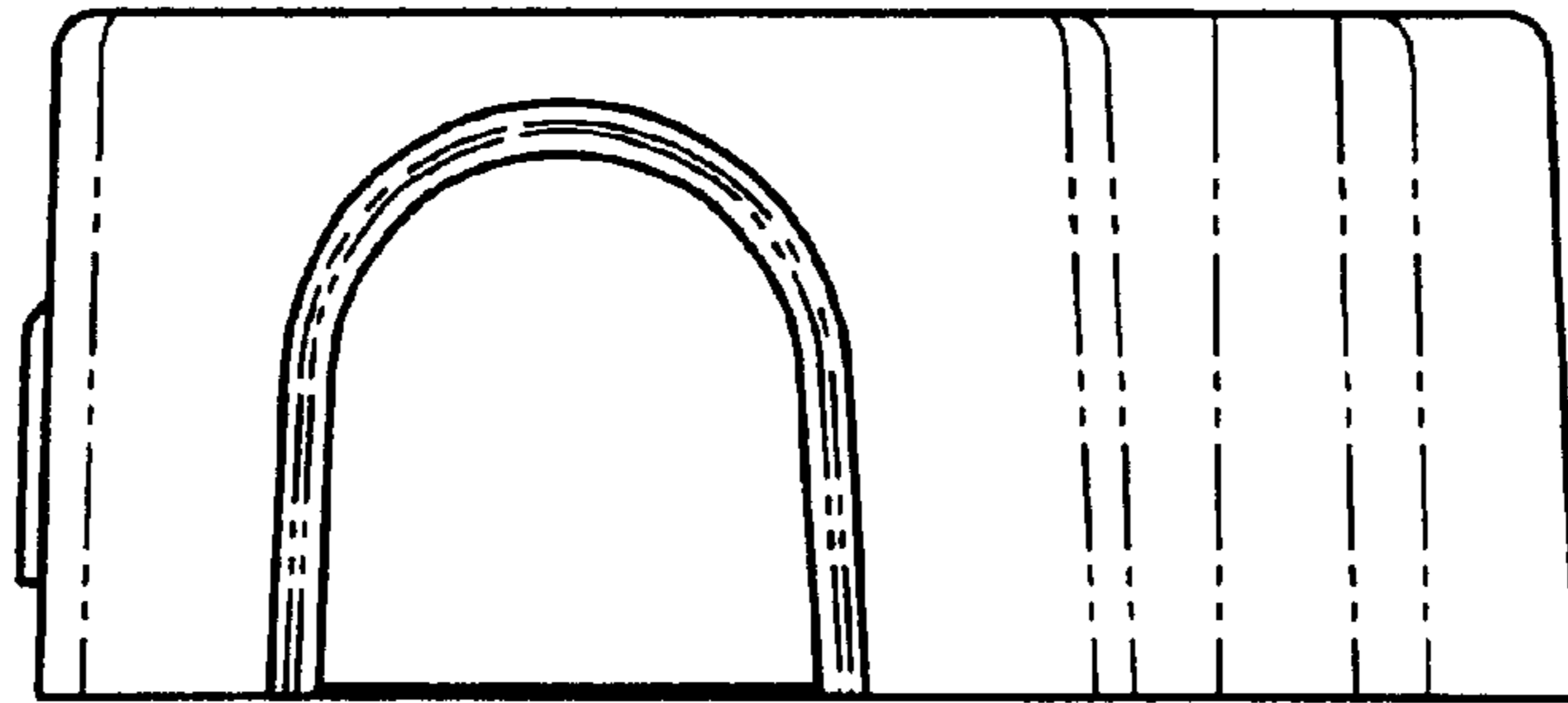


FIG. 7

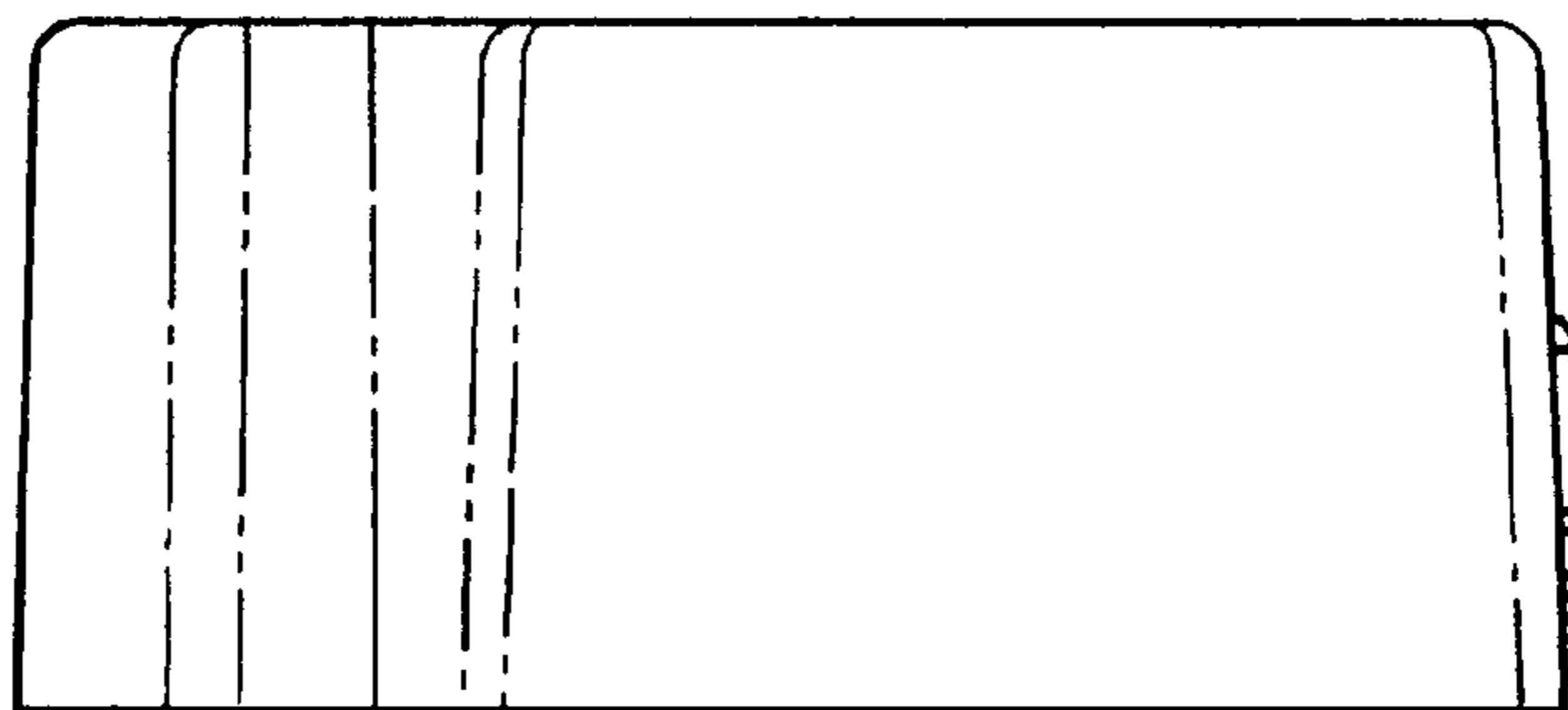


FIG. 8

