



US00D530270S

(12) **United States Design Patent**
Ozawa et al.

(10) **Patent No.:** **US D530,270 S**
(45) **Date of Patent:** **** Oct. 17, 2006**

(54) **BATTERY PACK**
(75) Inventors: **Takashi Ozawa**, Hitachinaka (JP);
Masato Sakai, Hitachinaka (JP);
Takeshi Taniguchi, Hitachinaka (JP)
(73) Assignee: **Hitachi Koki Co., Ltd.**, Tokyo (JP)
(**) Term: **14 Years**

D387,728 S * 12/1997 Kawakami et al. D13/103
D397,991 S * 9/1998 Kawakami et al. D13/103
D412,485 S * 8/1999 Kato et al. D13/103
D417,648 S * 12/1999 Clowers et al. D13/103
6,007,939 A * 12/1999 Clowers 429/99
D474,445 S * 5/2003 Matsuoka et al. D13/103
D504,111 S * 4/2005 Ozawa et al. D13/103
D510,317 S * 10/2005 Sun D13/103

(21) Appl. No.: **29/242,417**
(22) Filed: **Nov. 10, 2005**

FOREIGN PATENT DOCUMENTS

JP D1137507 S 4/2002

* cited by examiner

(30) **Foreign Application Priority Data**

May 12, 2005 (JP) 2005-013515

Primary Examiner—Alan P. Douglas
Assistant Examiner—Rosemary K. Tarcza
(74) *Attorney, Agent, or Firm*—Sughrue Mion, PLLC

(51) **LOC (8) Cl.** **13-02**
(52) **U.S. Cl.** **D13/103**
(58) **Field of Classification Search** D13/102–106,
D13/110, 118–119, 184; 429/96–100, 163,
429/176

(57) **CLAIM**

The ornamental design for a battery pack, as shown.

See application file for complete search history.

DESCRIPTION

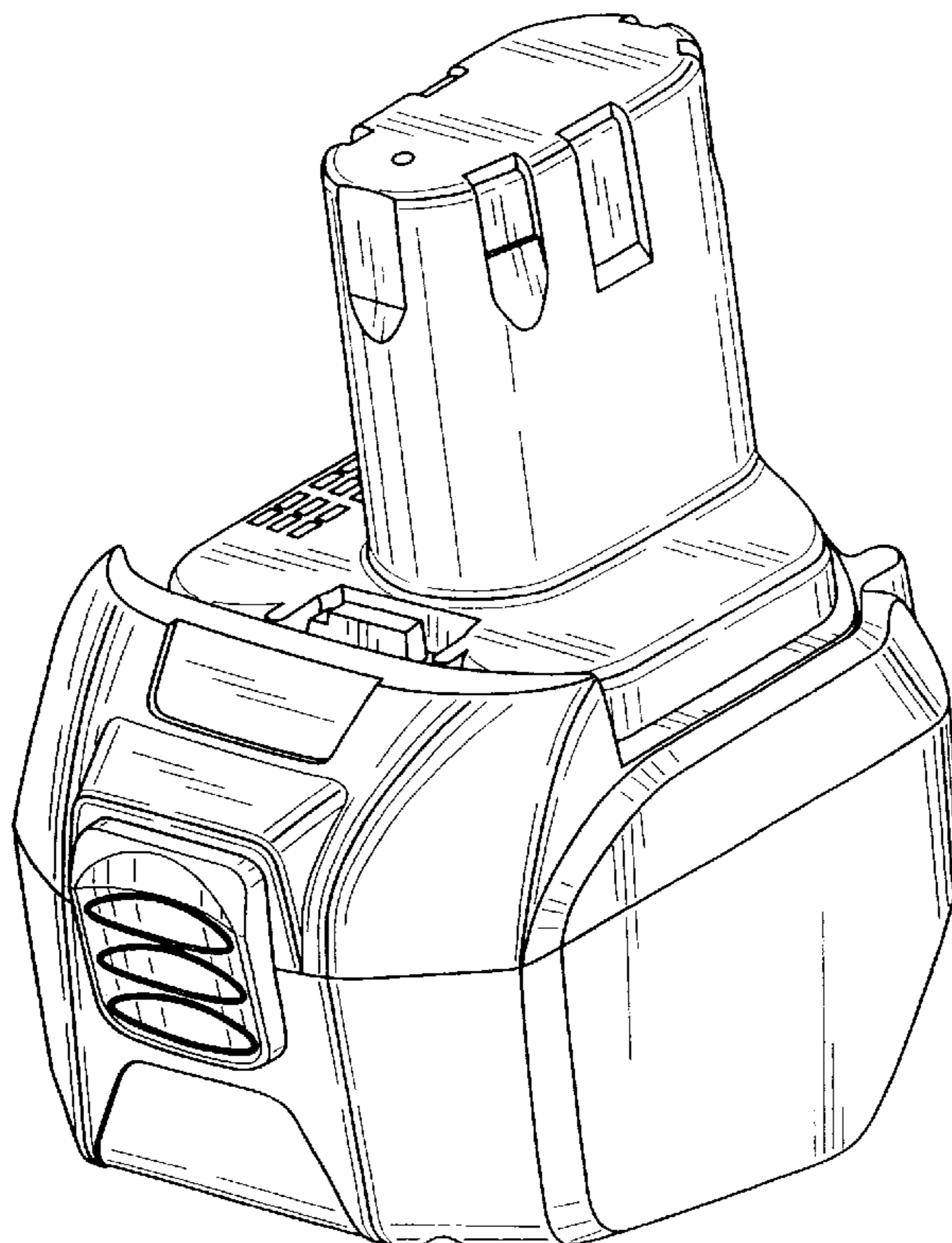
FIG. 1 is a perspective view of the top, front and left side of a battery pack showing our new design;
FIG. 2 is a top plan view thereof;
FIG. 3 is a front elevational view thereof;
FIG. 4 is a rear elevational view thereof;
FIG. 5 is a bottom plan view thereof;
FIG. 6 is a left side elevational view thereof; and,
FIG. 7 is a right side elevational view thereof.

(56) **References Cited**

U.S. PATENT DOCUMENTS

D304,822 S * 11/1989 Fushiya et al. D13/103
D321,338 S * 11/1991 Sakamoto et al. D13/103
D334,012 S * 3/1993 Chen D13/103
D342,479 S * 12/1993 Kimata D13/103
D368,067 S * 3/1996 Okumura D13/103

1 Claim, 4 Drawing Sheets



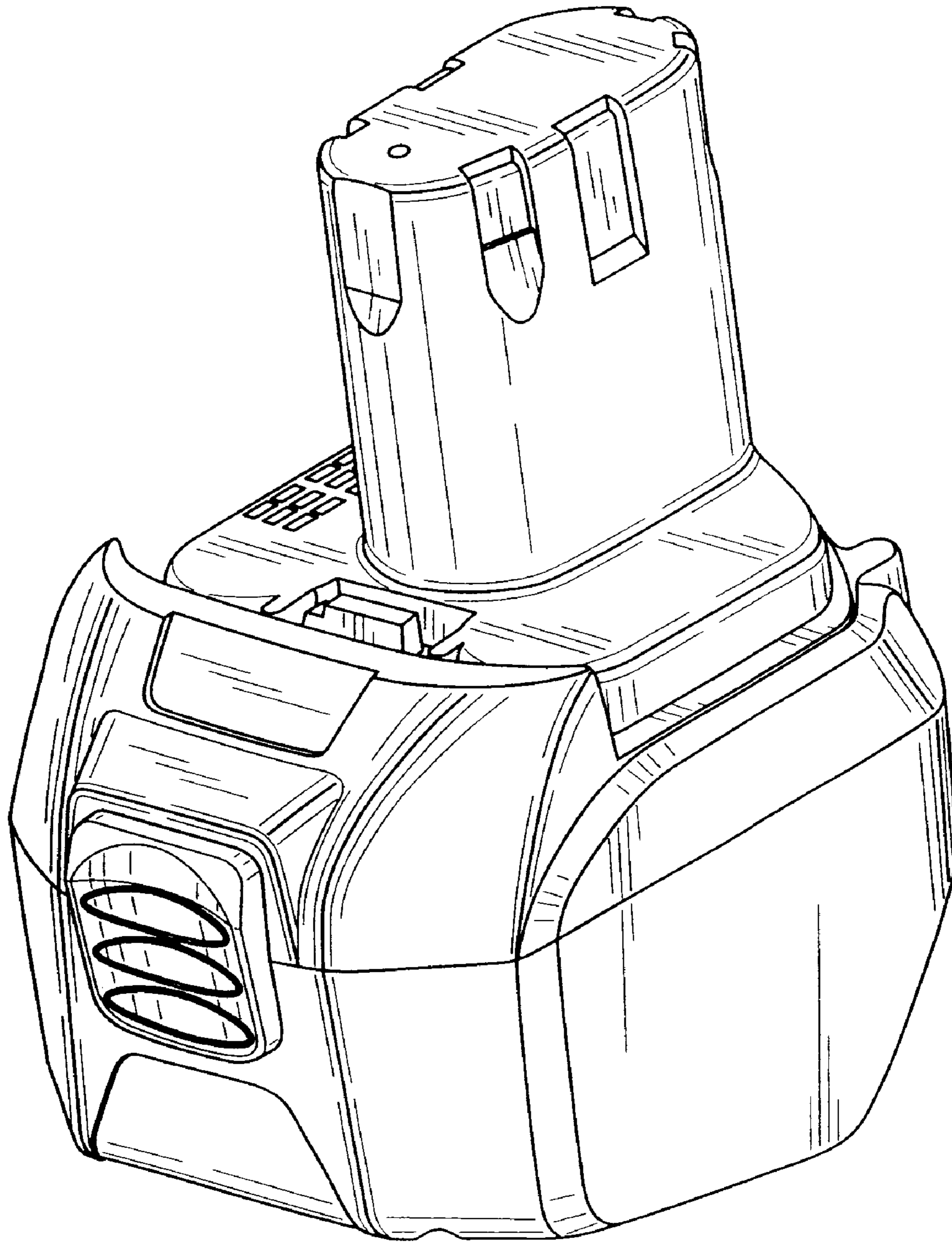


FIG. 1

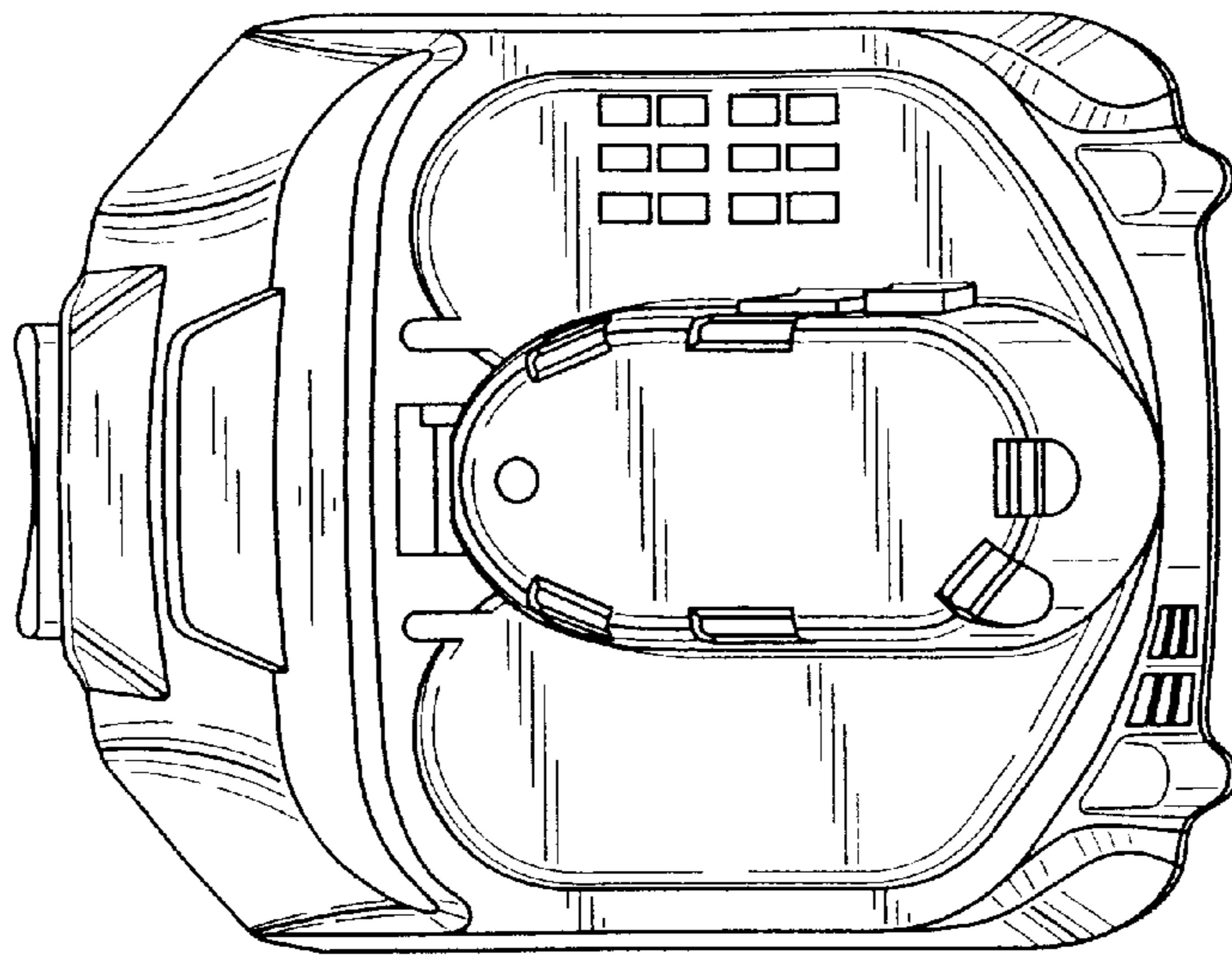


FIG. 2

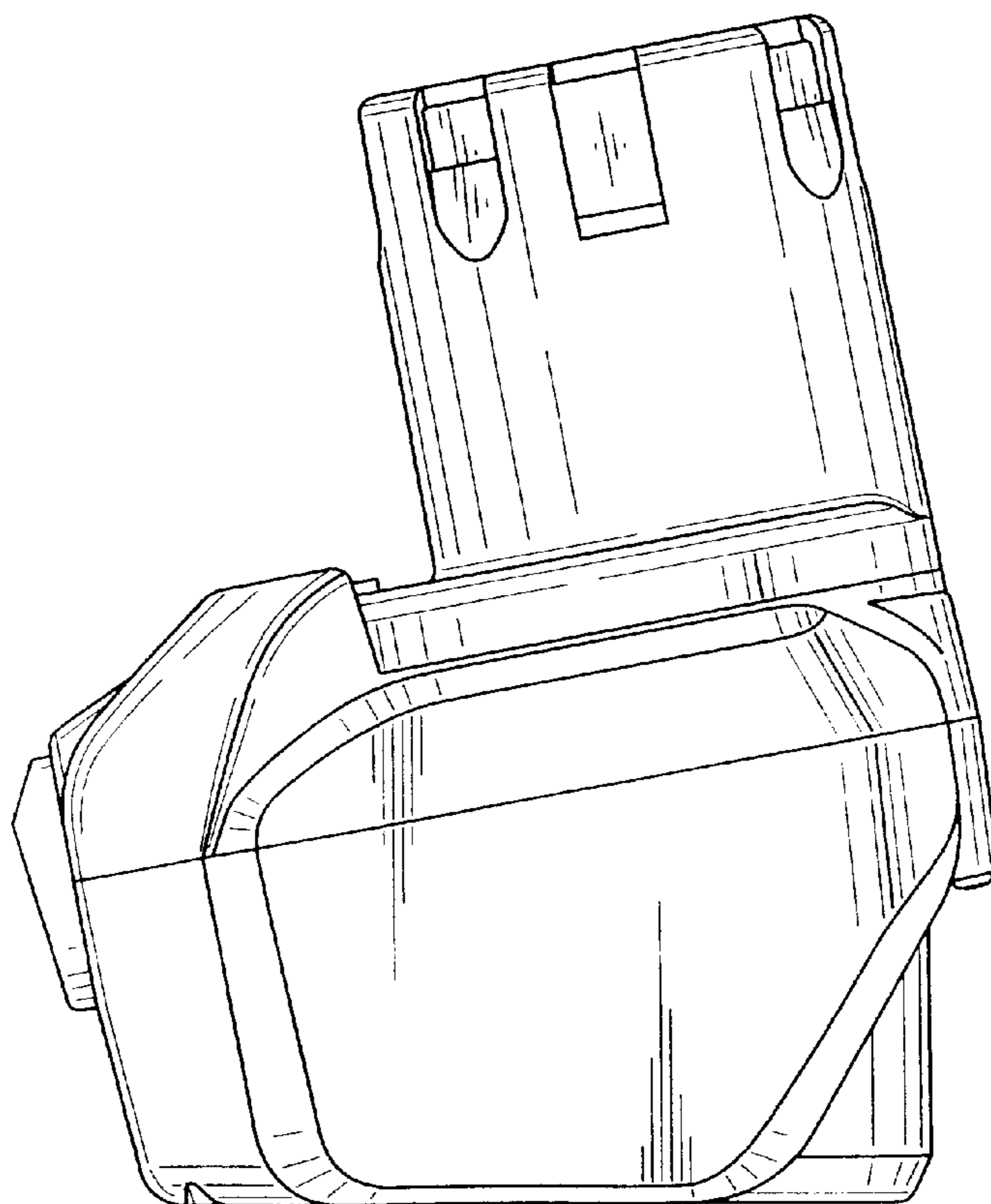


FIG. 3

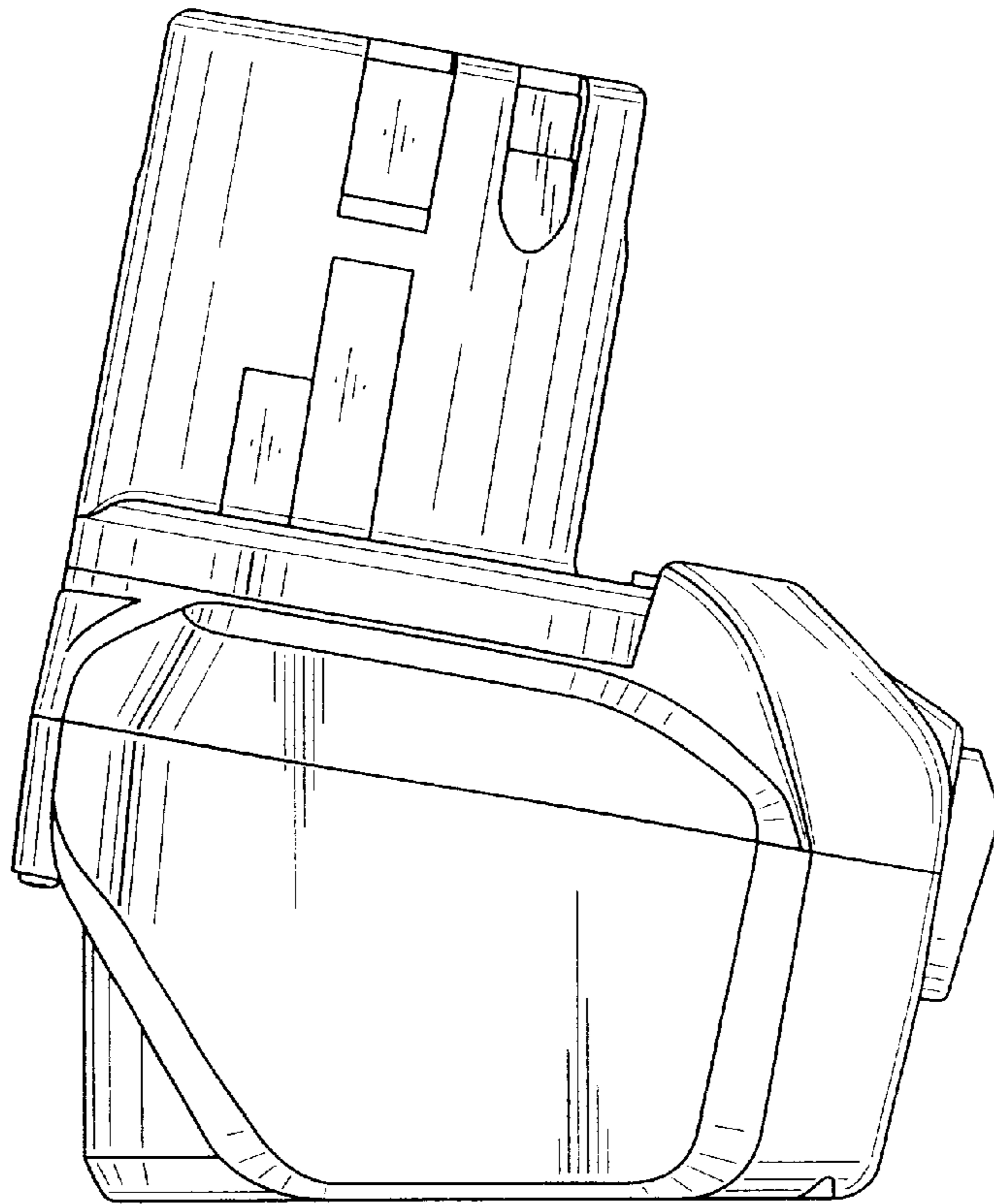


FIG. 4

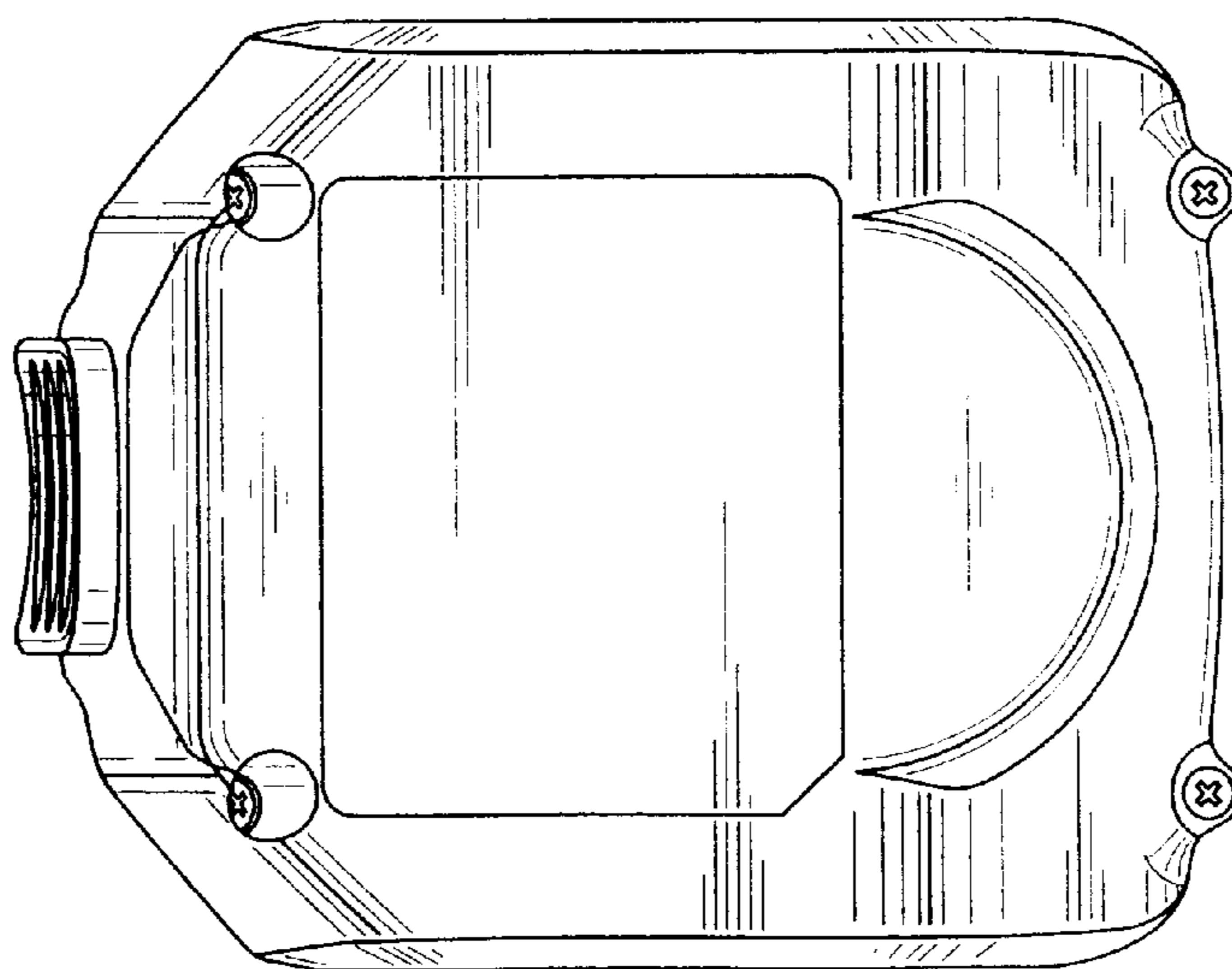


FIG. 5

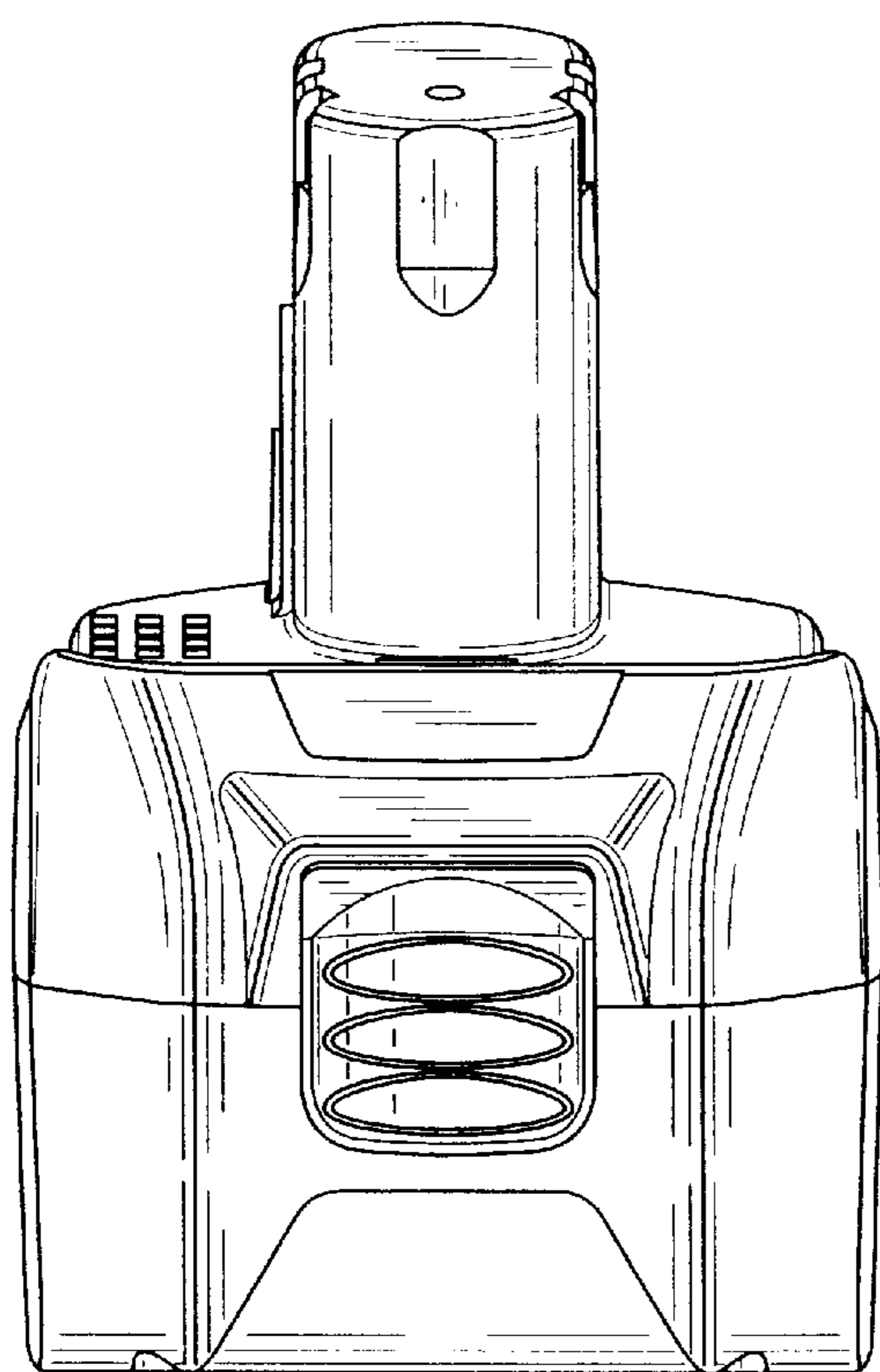


FIG. 6

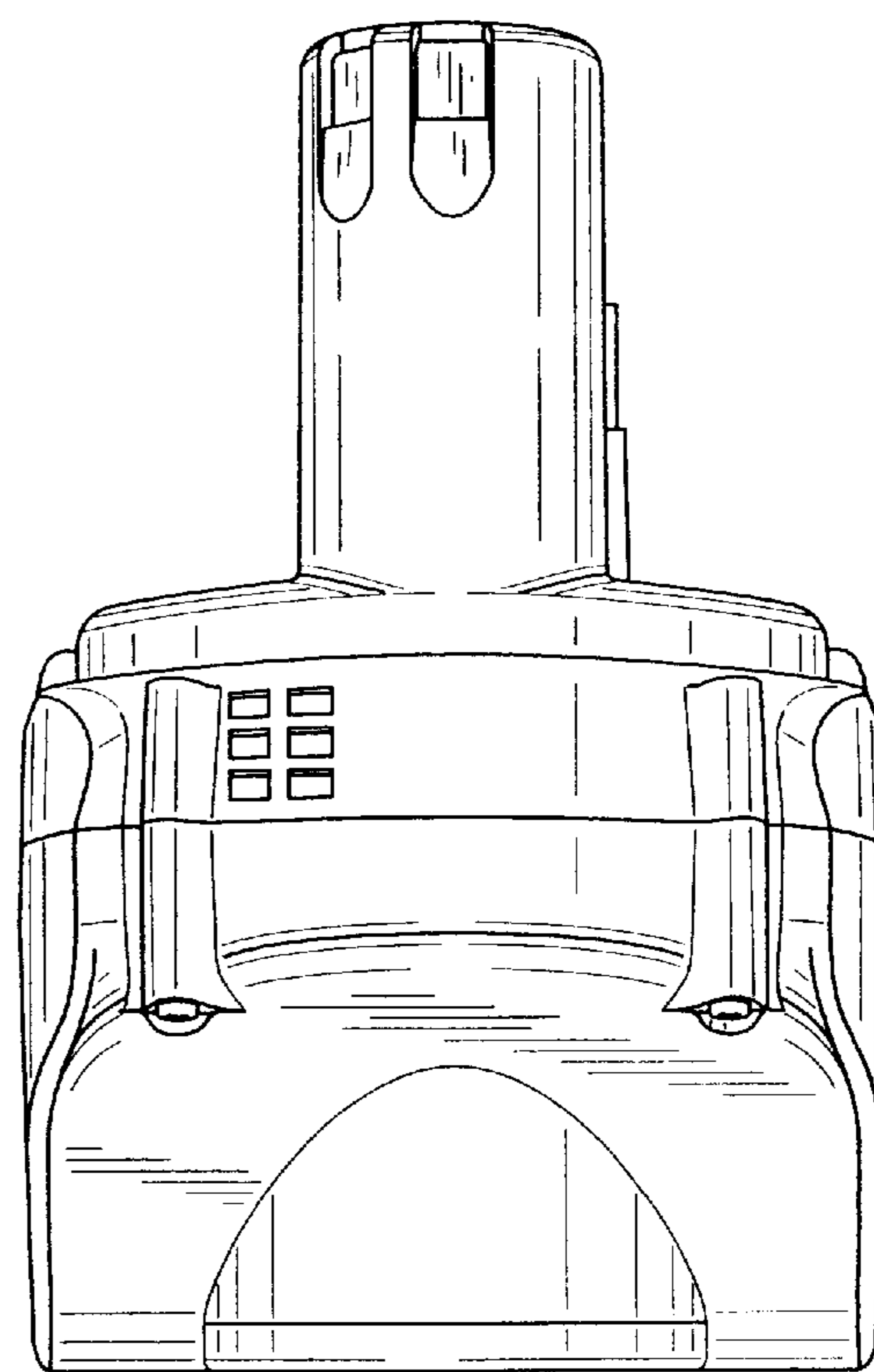


FIG. 7