

US00D530260S

(12) **United States Design Patent**
Ma et al.

(10) **Patent No.:** **US D530,260 S**

(45) **Date of Patent:** **** Oct. 17, 2006**

(54) **PICK-UP CAP**

(75) Inventors: **Hao-Yun Ma**, Tu-Cheng (TW);
Yu-Chen Chen, Tu-Cheng (TW)

(73) Assignee: **Hon Hai Precision Ind. Co., Ltd.**,
Taipei Hsien (TW)

(**) Term: **14 Years**

(21) Appl. No.: **29/242,140**

(22) Filed: **Nov. 4, 2005**

(30) **Foreign Application Priority Data**

May 13, 2005 (TW) 94302797

(51) **LOC (8) Cl.** **12-16**

(52) **U.S. Cl.** **D12/401**

(58) **Field of Classification Search** D12/401,
D12/404, 414.1, 406; 280/770, 847; 150/154,
150/166; 160/26, 32, 130, 133, 36; 296/98-100,
296/101, 100.01, 100.02, 100.06, 39.1, 39.2
See application file for complete search history.

(56) **References Cited**

U.S. PATENT DOCUMENTS

D335,850 S * 5/1993 Cyrson D12/401

D434,361 S * 11/2000 Block et al. D12/401
D438,507 S * 3/2001 Herndon D12/401
D513,226 S * 12/2005 Sancer D12/401

* cited by examiner

Primary Examiner—Stacia Cadmus

(74) *Attorney, Agent, or Firm*—Wei Te Chung

(57) **CLAIM**

The ornamental design for a pick-up cap, as shown.

DESCRIPTION

FIG. 1 is a front, top and right side perspective view of a pick-up cap showing our new design;

FIG. 2 is a top plan view thereof;

FIG. 3 is a bottom plan view thereof;

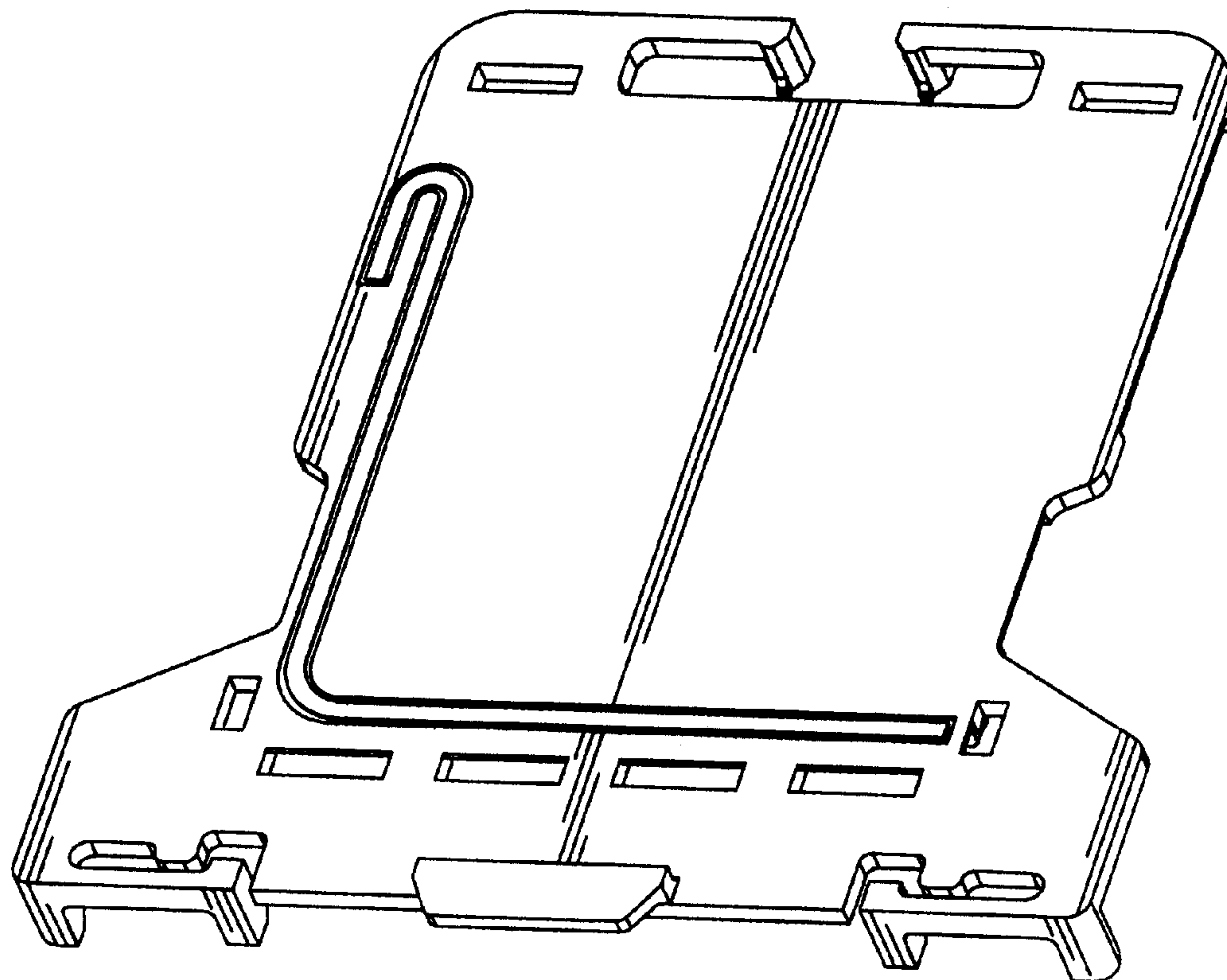
FIG. 4 is a left side elevational view thereof;

FIG. 5 is a right side elevational view thereof;

FIG. 6 is a front elevational view thereof; and,

FIG. 7 is a rear elevational view thereof.

1 Claim, 7 Drawing Sheets



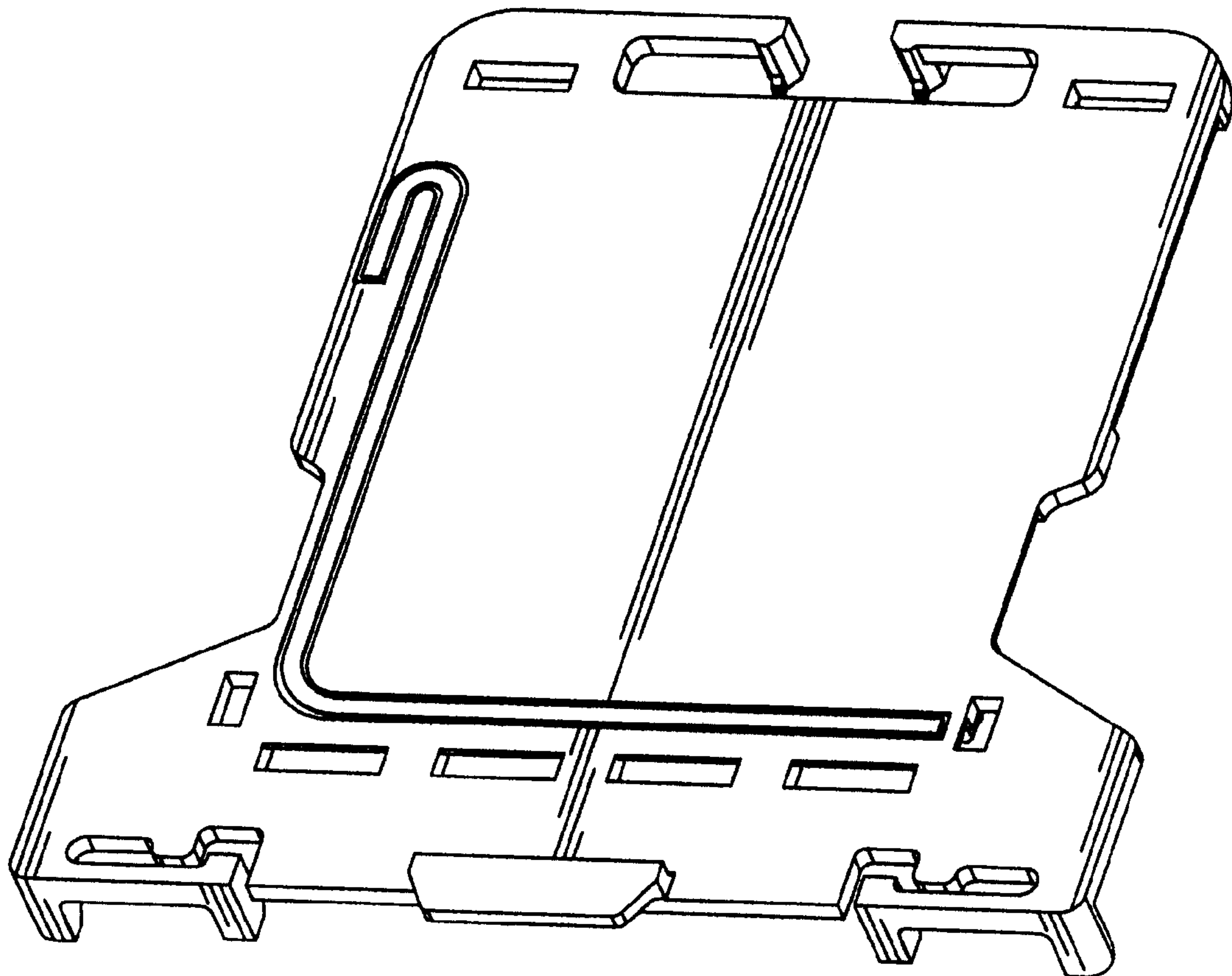


FIG. 1

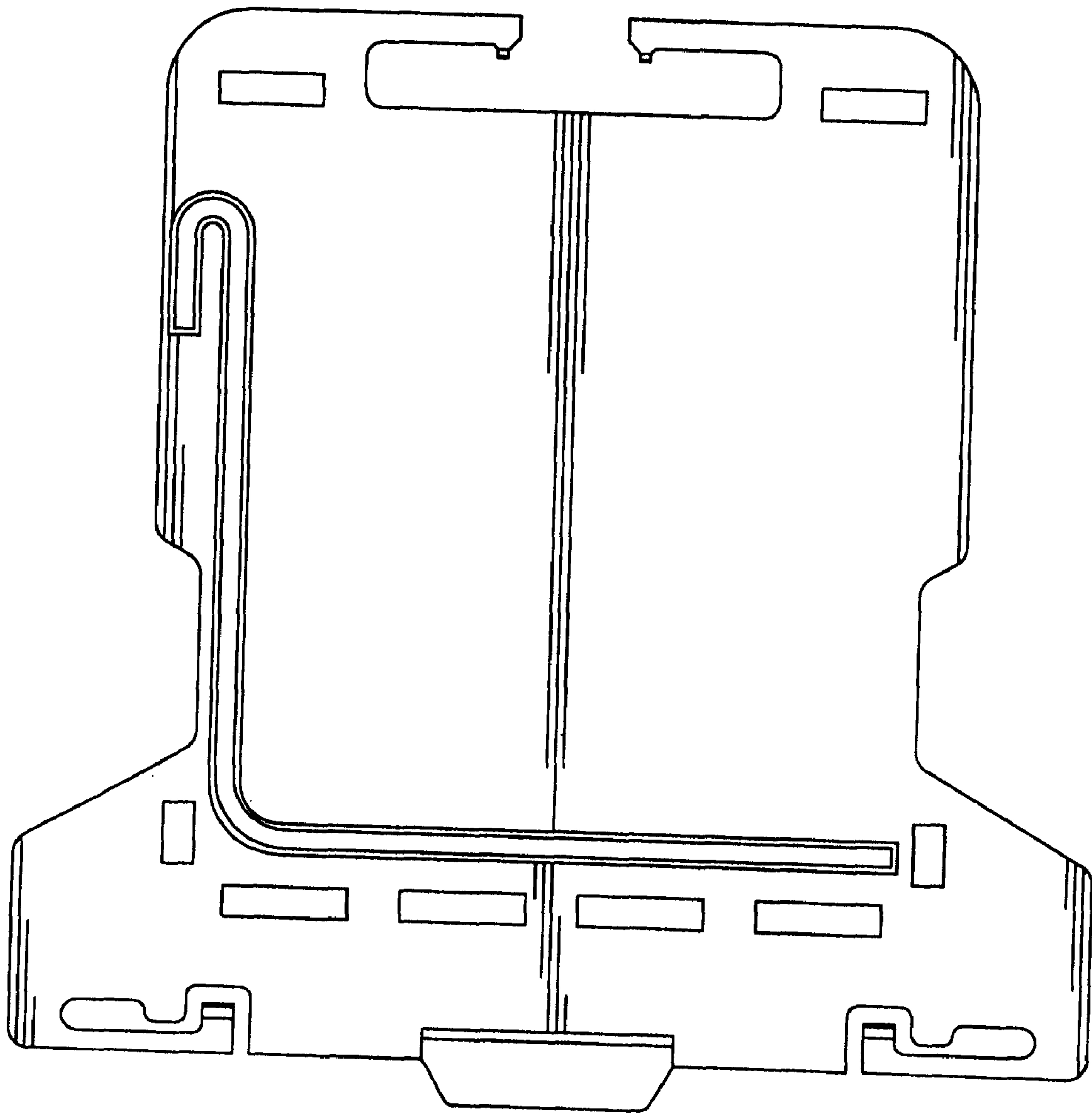


FIG. 2

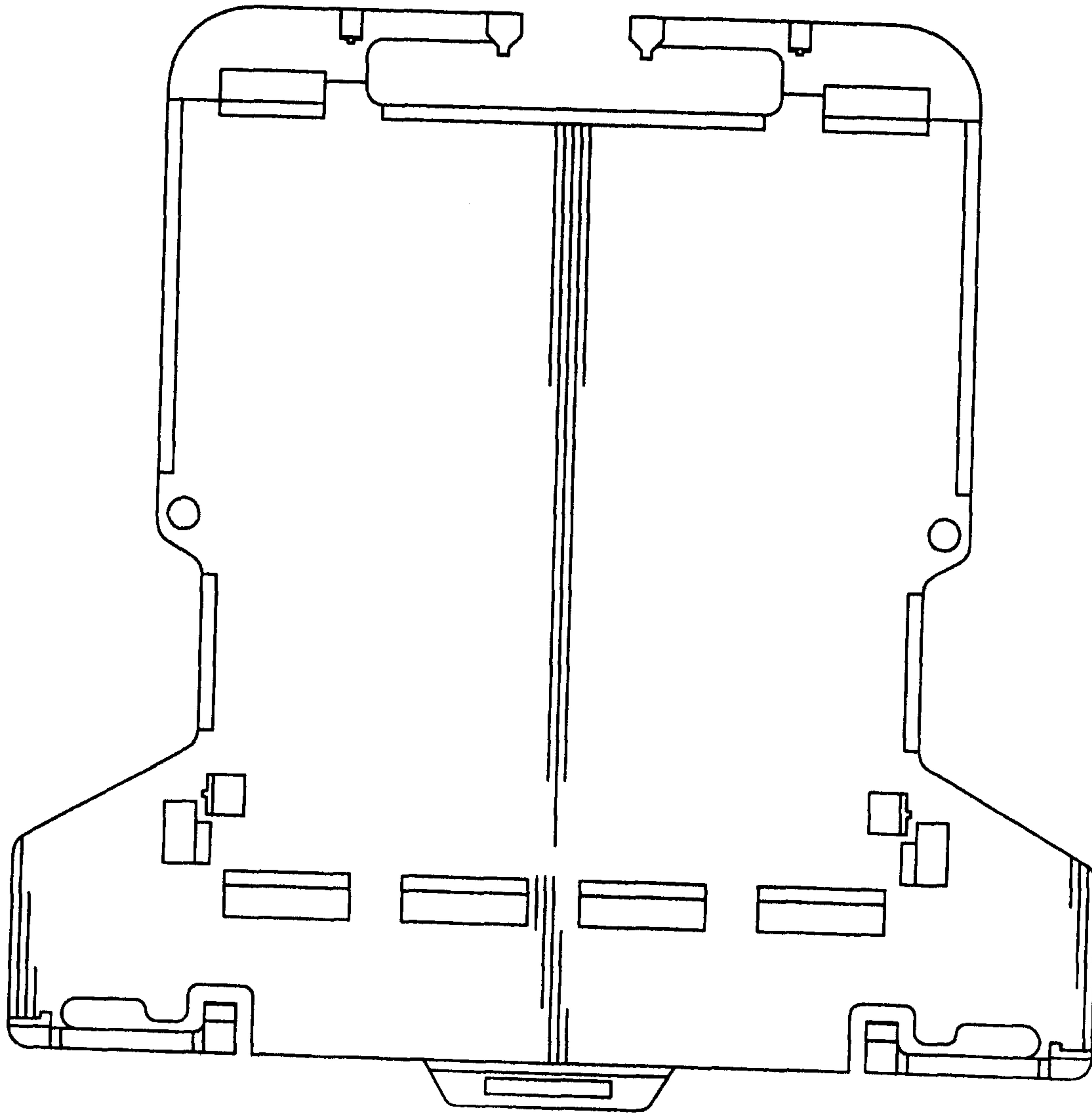


FIG. 3

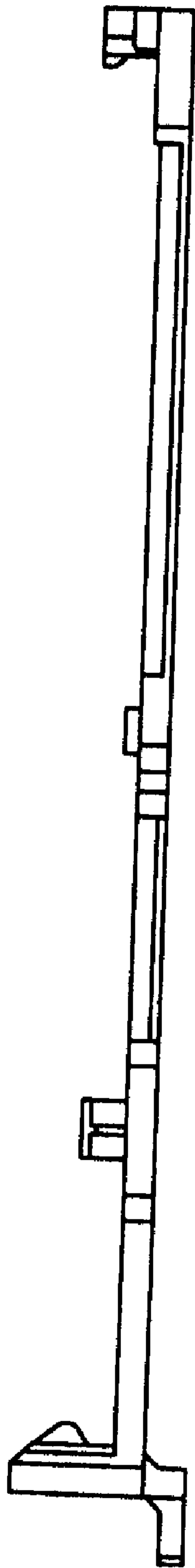


FIG. 4

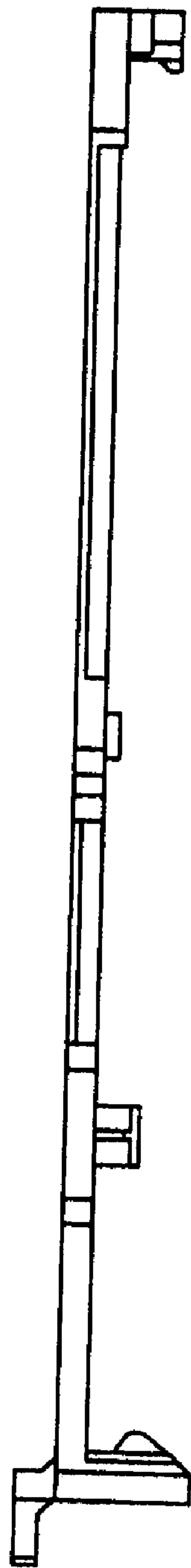


FIG. 5

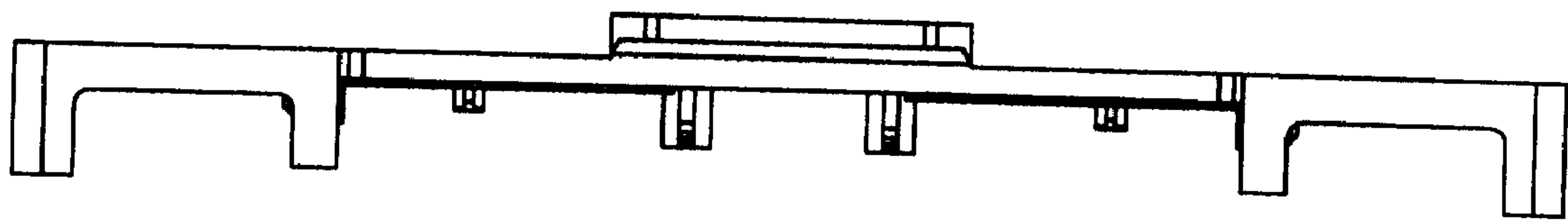


FIG. 6

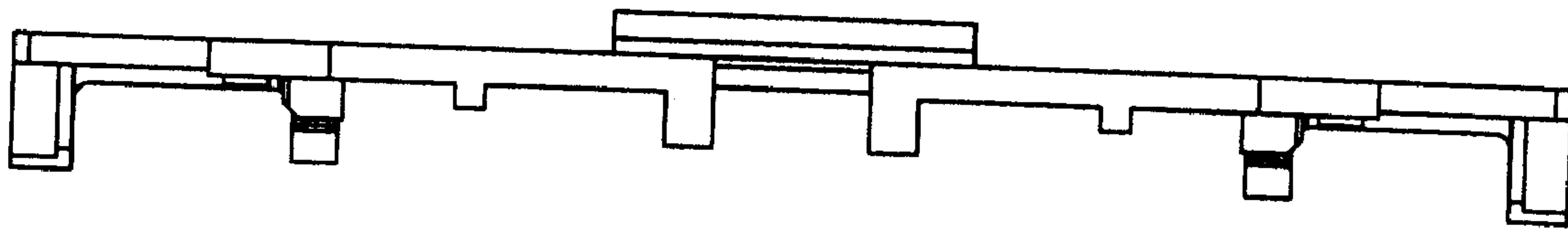


FIG. 7