



US00D530258S

(12) **United States Design Patent**  
**Schell**

(10) **Patent No.:** **US D530,258 S**

(45) **Date of Patent:** **\*\* Oct. 17, 2006**

(54) **FRONT FACE OF A WHEEL**

(75) Inventor: **Damon Schell**, Redondo Beach, CA  
(US)

(73) Assignee: **Honda Motor Co., Ltd.**, Tokyo (JP)

(\*\*) Term: **14 Years**

(21) Appl. No.: **29/245,495**

(22) Filed: **Dec. 27, 2005**

(51) **LOC (8) Cl.** ..... **12-16**

(52) **U.S. Cl.** ..... **D12/211**

(58) **Field of Classification Search** ..... D12/204-213;  
301/37.101, 64.101, 65

See application file for complete search history.

(56) **References Cited**

**U.S. PATENT DOCUMENTS**

D421,417 S \* 3/2000 Weidhase ..... D12/209  
D459,689 S \* 7/2002 Hieke ..... D12/211  
D466,853 S \* 12/2002 Maifrini ..... D12/211

D486,437 S \* 2/2004 Hieke ..... D12/211  
D486,770 S \* 2/2004 Pollmann ..... D12/209  
D487,418 S \* 3/2004 Hieke ..... D12/211  
D494,524 S \* 8/2004 Rice ..... D12/211  
D510,554 S \* 10/2005 Markefka ..... D12/211  
D515,491 S \* 2/2006 Elmitt ..... D12/209

\* cited by examiner

*Primary Examiner*—Stacia Cadmus

(74) *Attorney, Agent, or Firm*—Plumsea Law Group, LLC

(57) **CLAIM**

The ornamental design for a front face of a wheel, as shown and described.

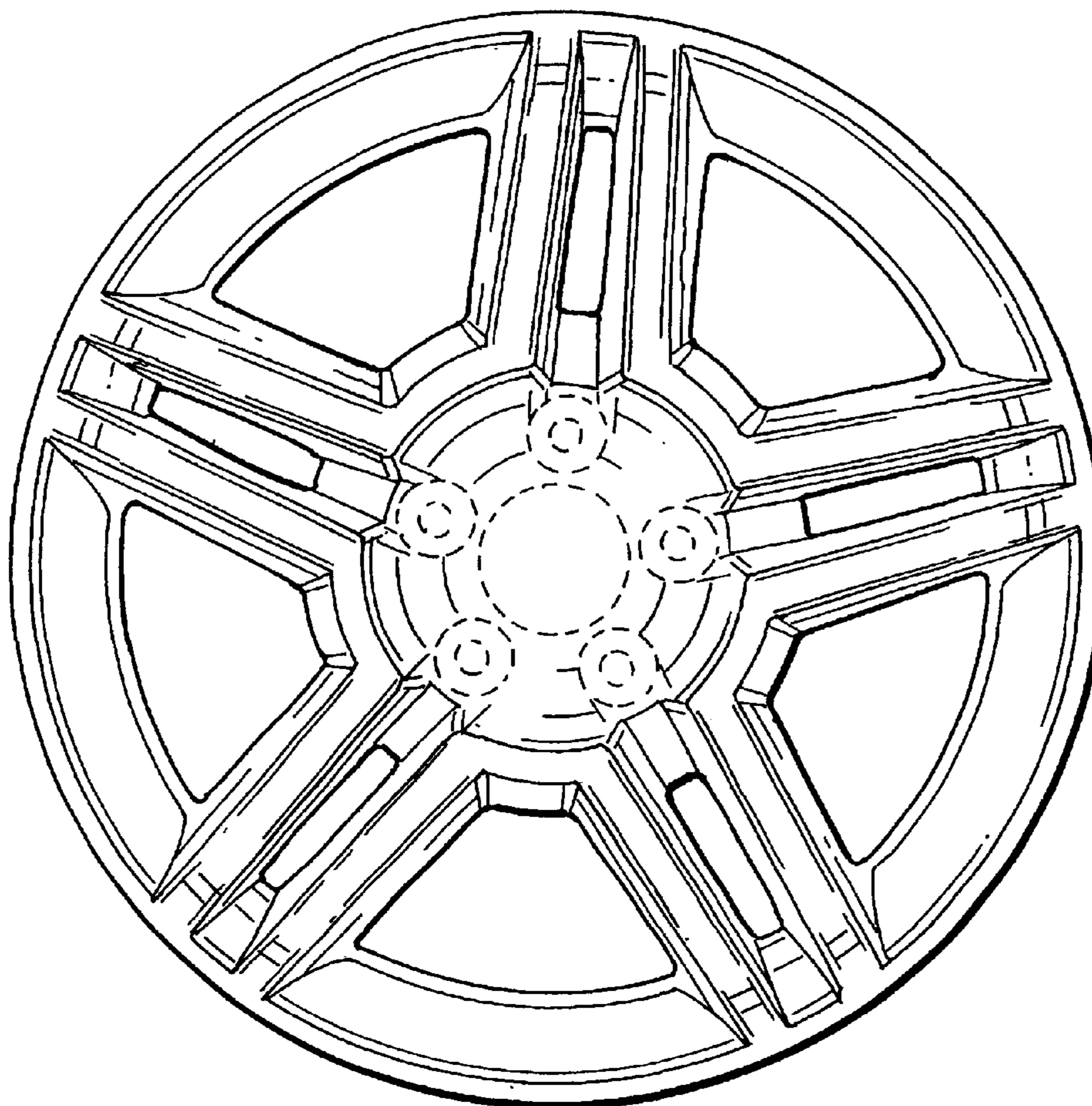
**DESCRIPTION**

FIG. 1 is an front elevational view of a front face of a wheel showing my new design; and,

FIG. 2 is a perspective view thereof.

The broken line showings of the hub, and the lug nut areas are for illustrative purposes only and form no part of the claimed design.

**1 Claim, 1 Drawing Sheet**



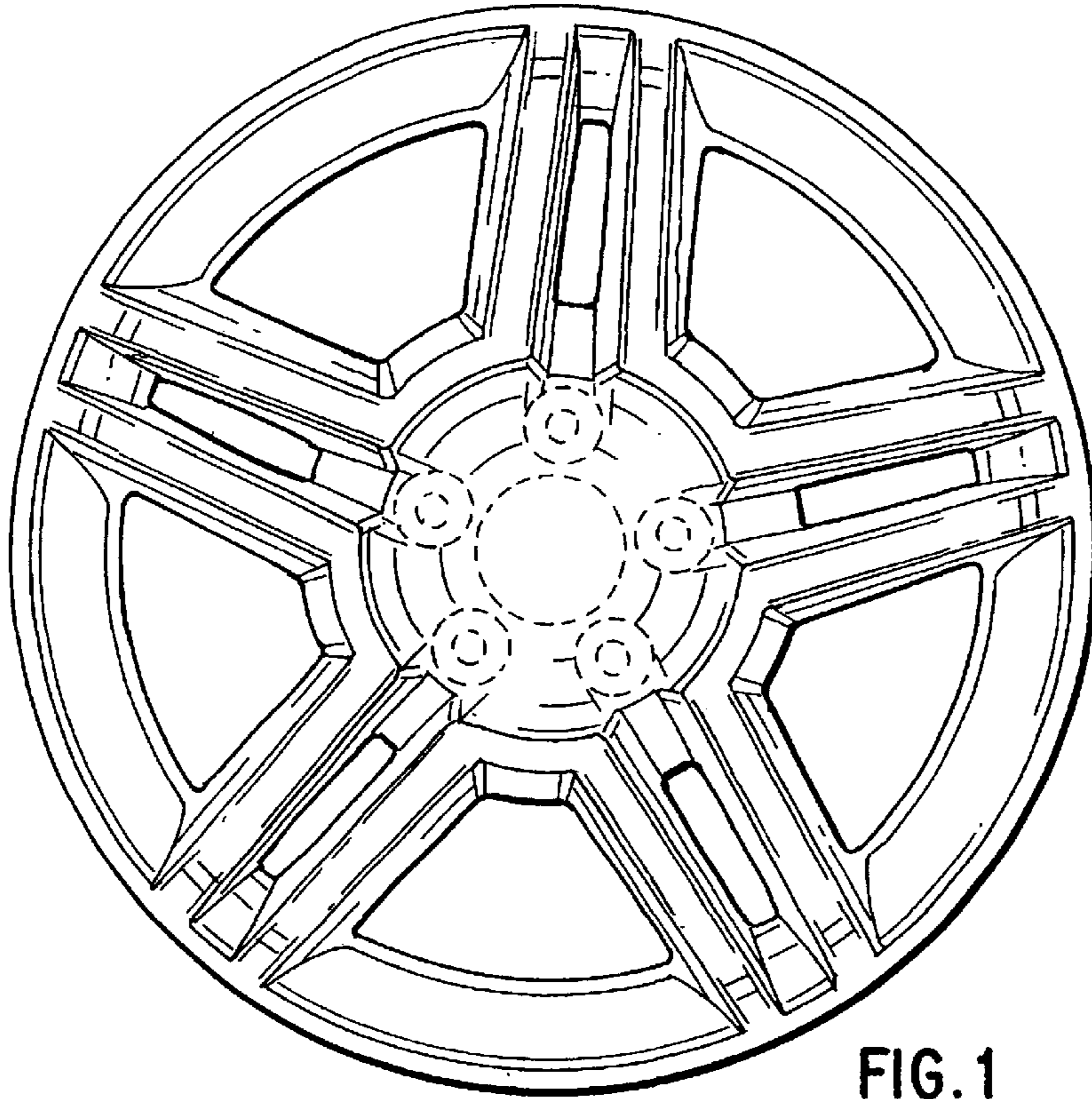


FIG. 1

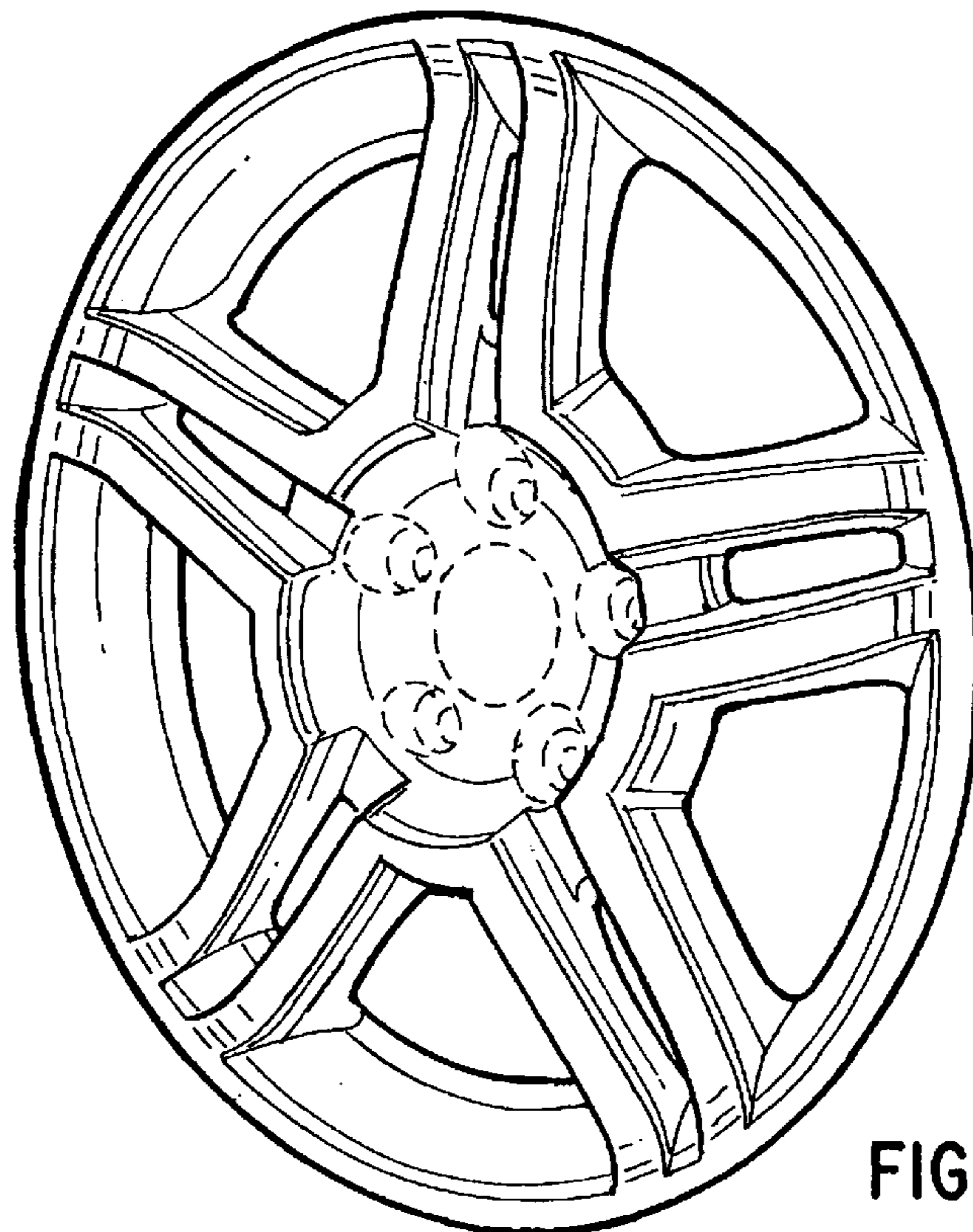


FIG. 2