



US00D530255S

(12) **United States Design Patent**
Pfeiffer

(10) **Patent No.:** **US D530,255 S**

(45) **Date of Patent:** **** Oct. 17, 2006**

(54) **FRONT FACE OF A VEHICLE WHEEL**

(75) Inventor: **Peter Pfeiffer**, Boeblingen (DE)

(73) Assignee: **DaimlerChrysler AG**, Stuttgart (DE)

(**) Term: **14 Years**

(21) Appl. No.: **29/215,019**

(22) Filed: **Oct. 14, 2004**

(30) **Foreign Application Priority Data**

Apr. 27, 2004 (DE) 40402627

(51) **LOC (8) Cl.** **12-16**

(52) **U.S. Cl.** **D12/211**

(58) **Field of Classification Search** D12/204-213;
301/37.101, 64.101, 65

See application file for complete search history.

(56) **References Cited**

U.S. PATENT DOCUMENTS

D225,626 S	*	12/1972	Davidson	D12/209
D268,261 S	*	3/1983	Boyer	D12/211
D268,750 S	*	4/1983	Eichstadt	D12/209
D327,049 S	*	6/1992	Boyer	D12/211
D402,951 S	*	12/1998	Wechner	D12/211
D428,847 S	*	8/2000	Hussaini et al.	D12/211
D438,162 S	*	2/2001	Syring	D12/211
D441,705 S	*	5/2001	Brintouch	D12/204
D453,136 S	*	1/2002	Frizzi	D12/211

D454,327 S	*	3/2002	Bux	D12/211
D464,009 S	*	10/2002	Laengerer	D12/211
D466,851 S	*	12/2002	Pfeiffer et al.	D12/211
D472,865 S	*	4/2003	Wechner	D12/211
D480,035 S	*	9/2003	Frohlich	D12/211
D499,685 S	*	12/2004	Schaefers	D12/211
D505,906 S	*	6/2005	Pfeiffer	D12/211
D509,467 S	*	9/2005	Gabath	D12/211

* cited by examiner

Primary Examiner—Stacia Cadmus

(74) *Attorney, Agent, or Firm*—Crowell & Moring LLP

(57) **CLAIM**

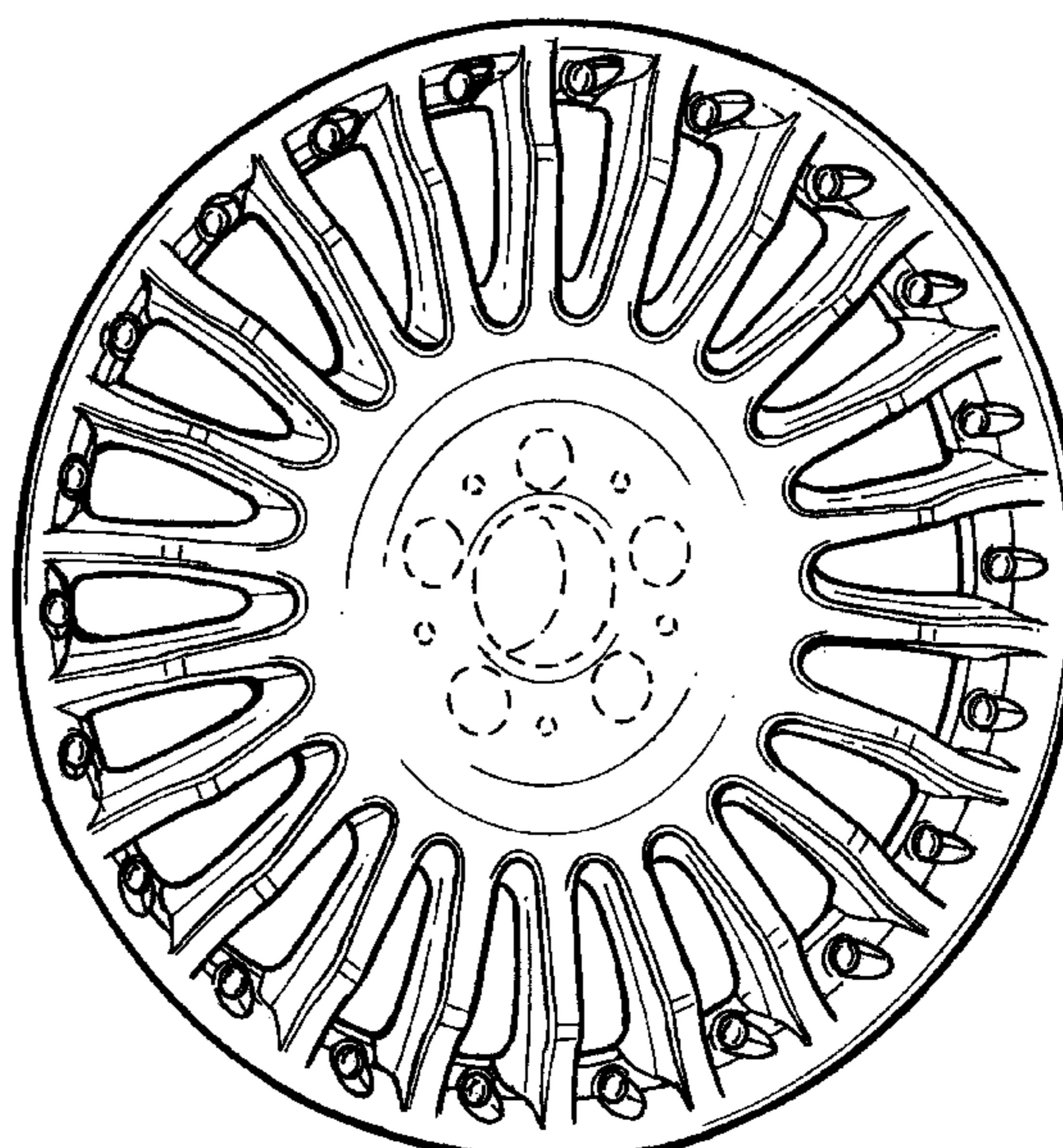
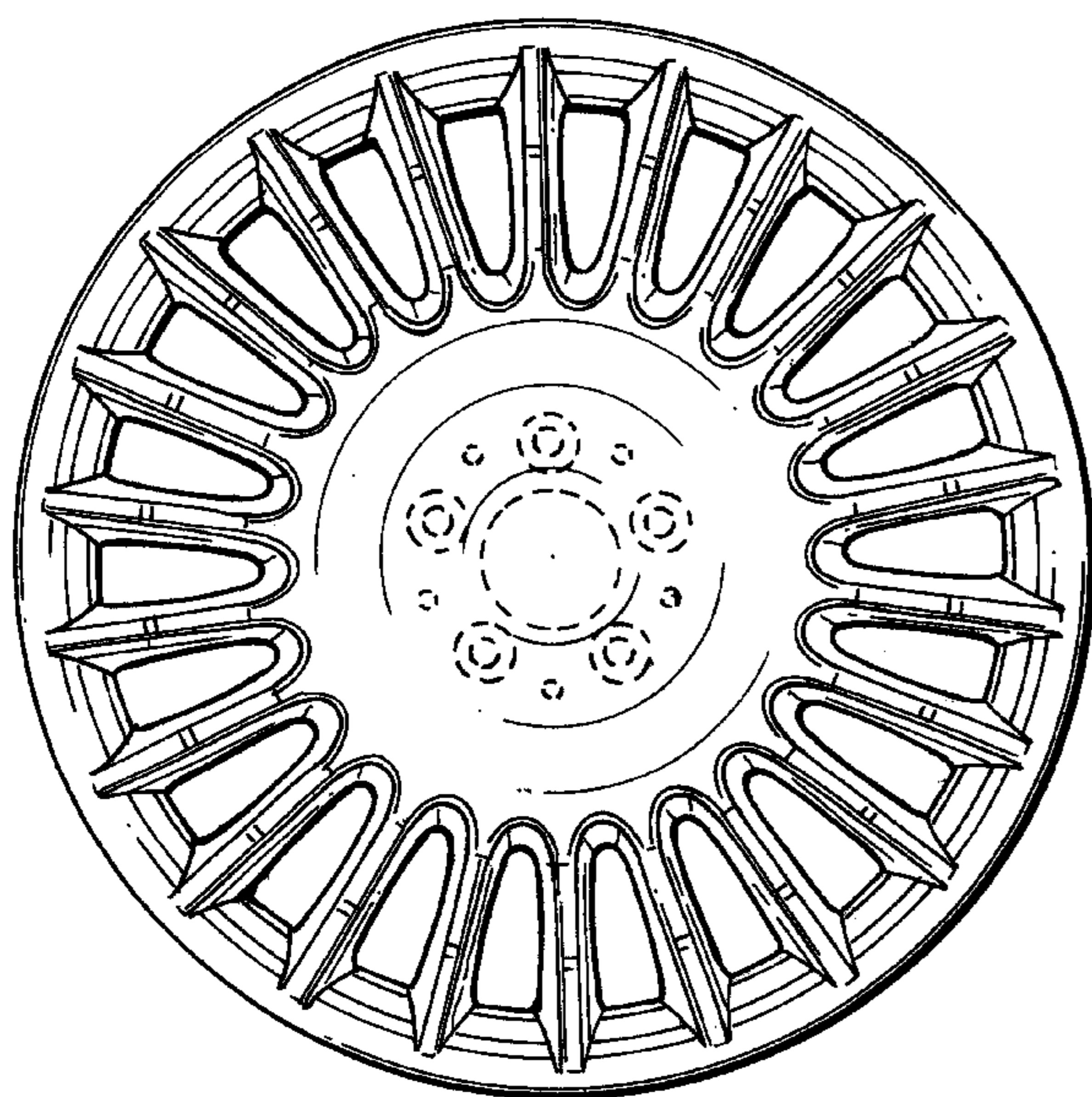
The ornamental design for a front face of a vehicle wheel, as shown and described.

DESCRIPTION

FIG. 1 is a front view of a first embodiment of a front face of a vehicle wheel according to my novel design; FIG. 2 is a perspective view of the first embodiment of the front face of a vehicle wheel according to my novel design; FIG. 3 is a front view of a second embodiment of the front face of a vehicle wheel according to my novel design; and, FIG. 4 is a perspective view of the second embodiment of the front face of a vehicle wheel according to my novel design.

The broken lines are for illustrative purposes only and form no part of the claimed design.

1 Claim, 2 Drawing Sheets



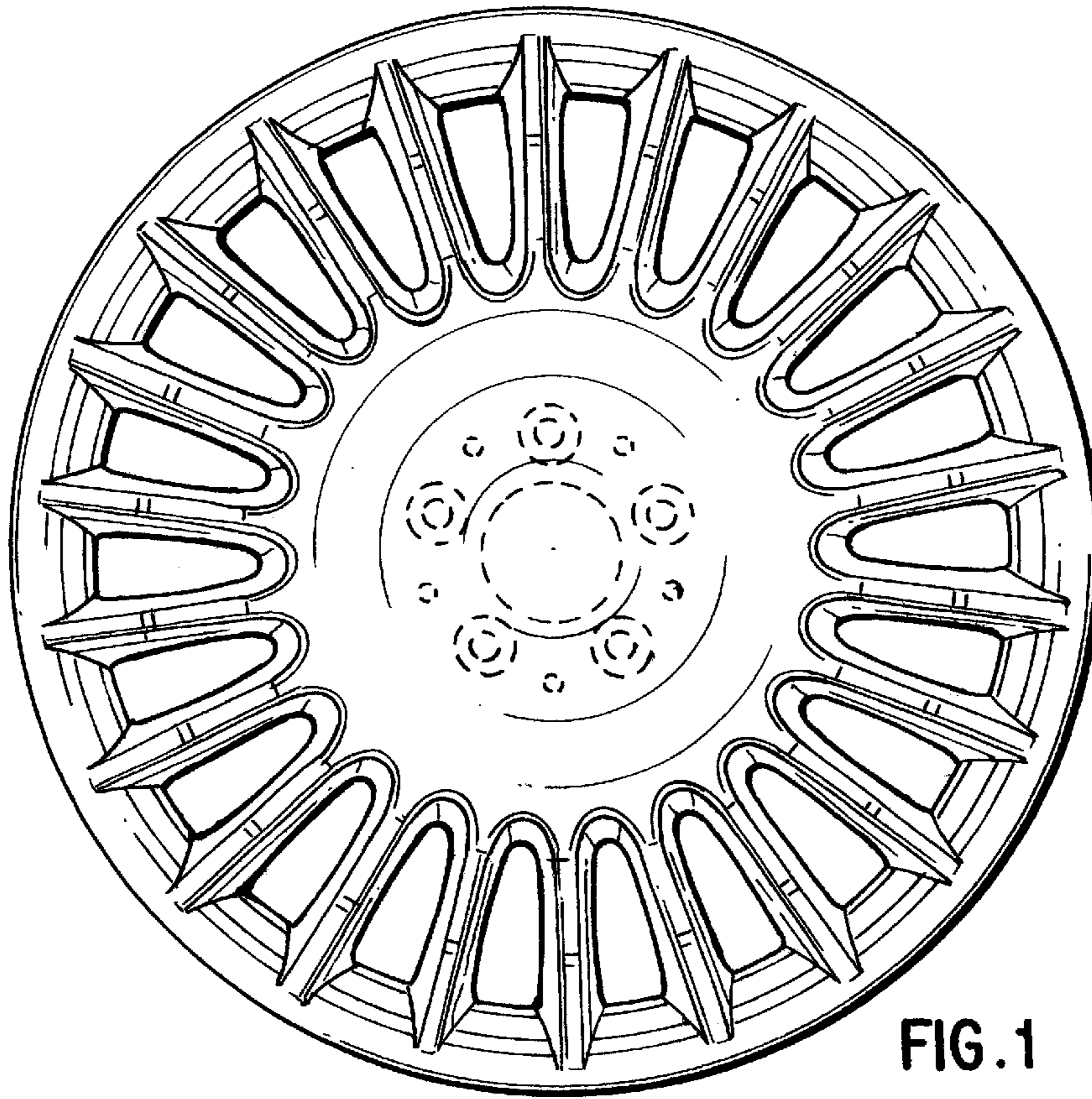


FIG. 1

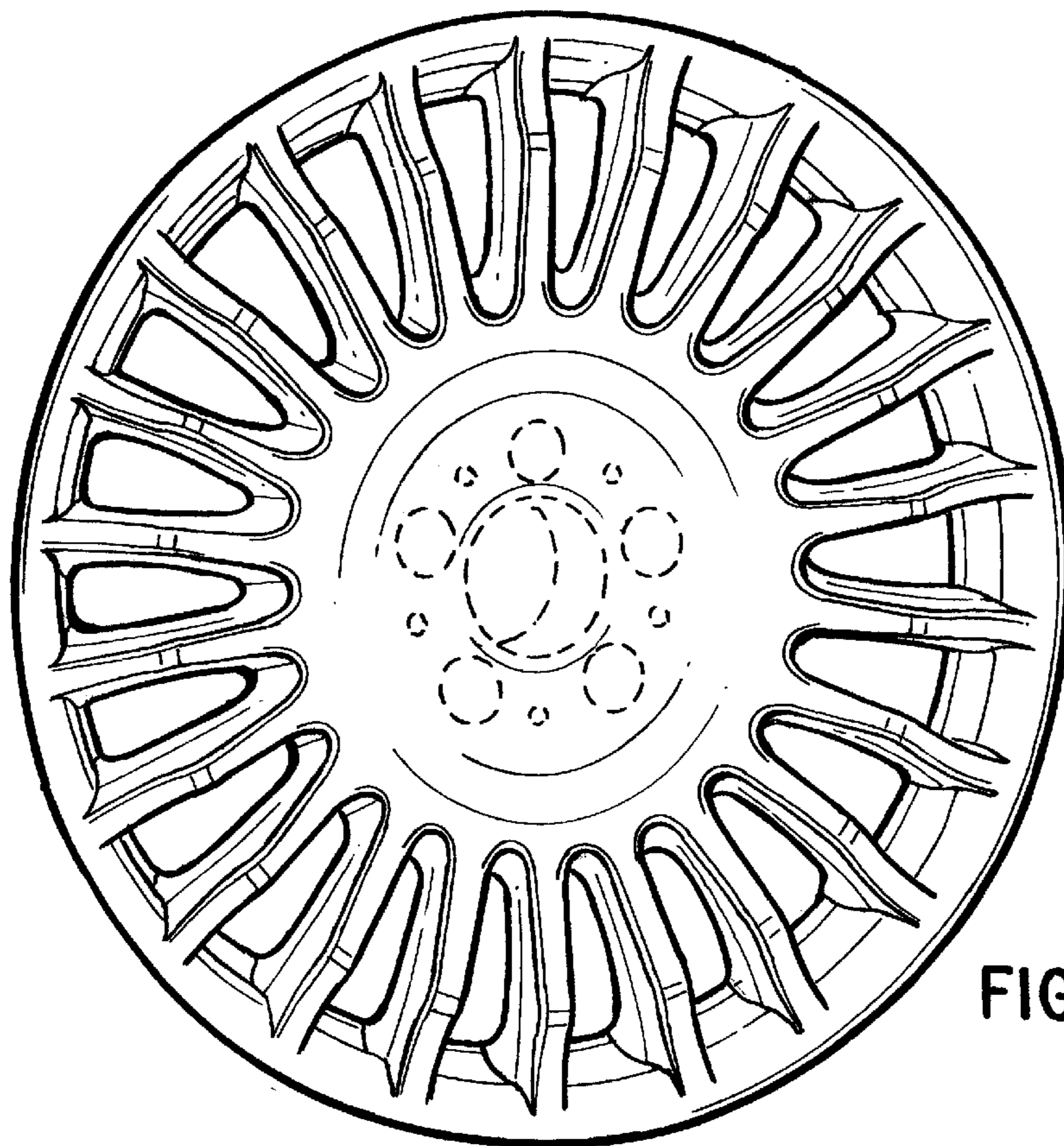


FIG. 2

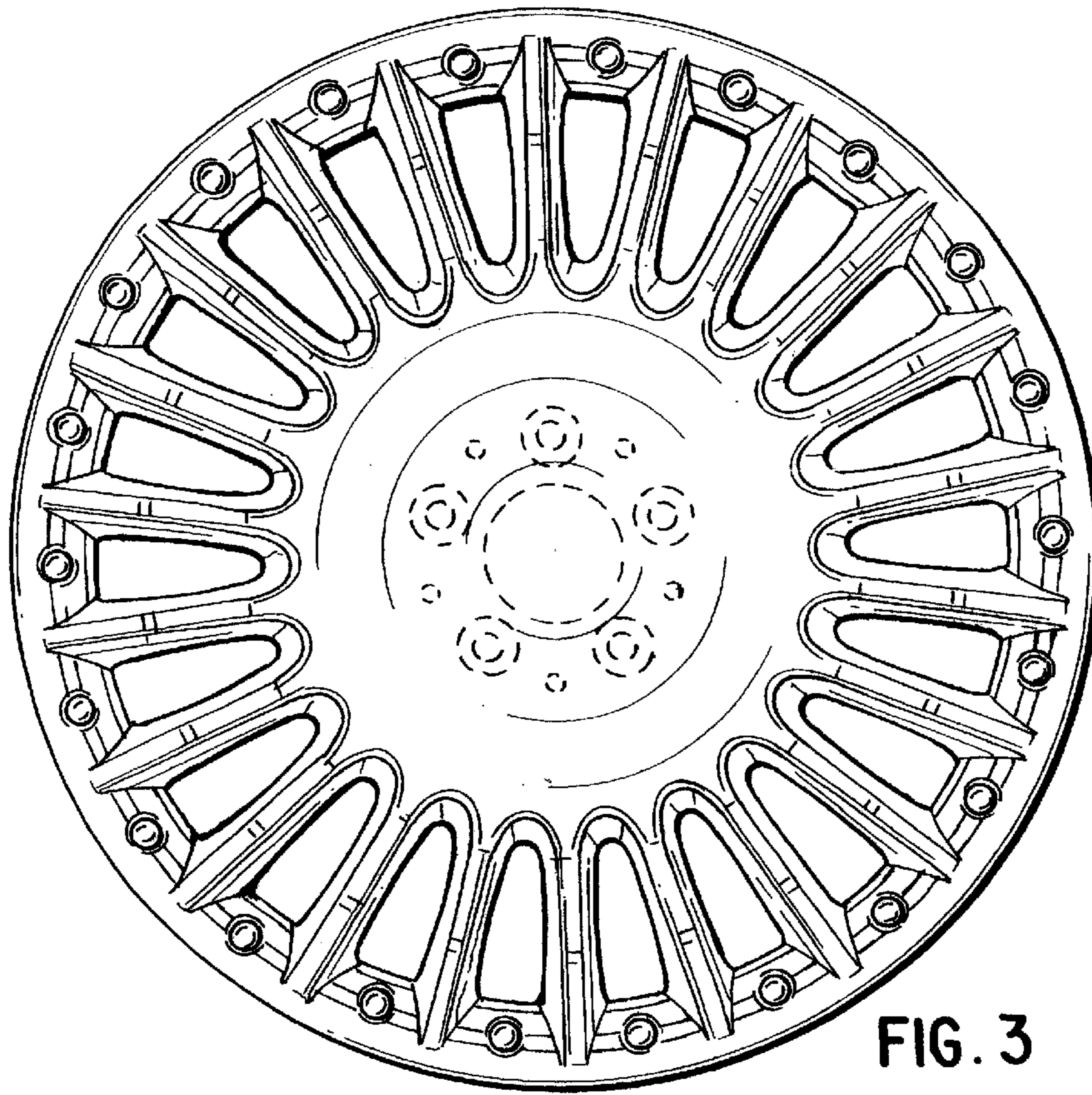


FIG. 3

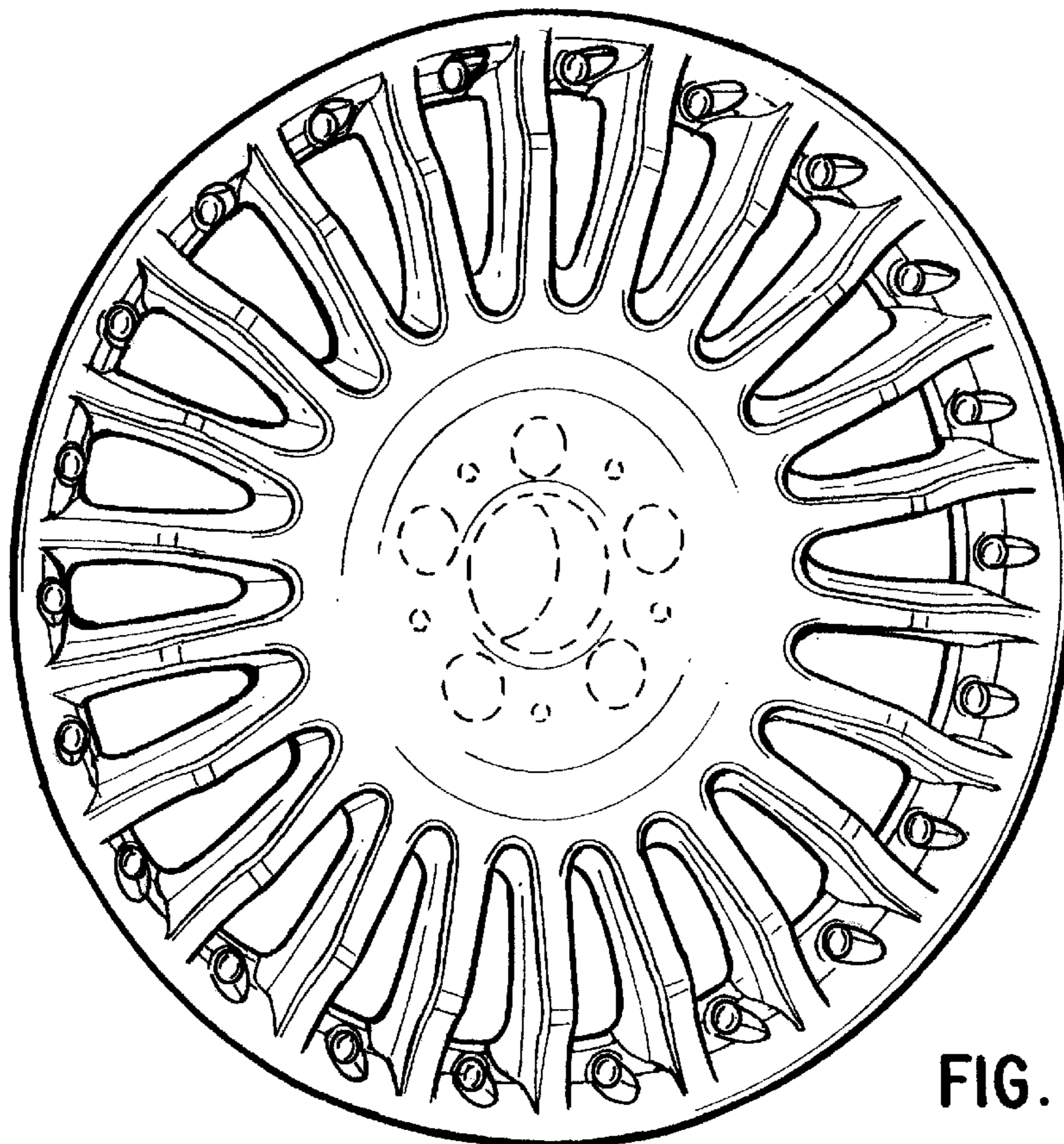


FIG. 4