

US00D530252S

(12) **United States Design Patent**
Gabath

(10) **Patent No.:** **US D530,252 S**

(45) **Date of Patent:** **** Oct. 17, 2006**

(54) **FRONT FACE OF A VEHICLE WHEEL**

(75) Inventor: **Peter Gabath**, Jesenwang (DE)

(73) Assignee: **Bayerische Motoren Werke Aktiengesellschaft**, Munich (DE)

(**) Term: **14 Years**

(21) Appl. No.: **29/228,645**

(22) Filed: **Apr. 27, 2005**

(30) **Foreign Application Priority Data**

Oct. 28, 2004 (DE) 4 04 06 173

(51) **LOC (8) Cl.** **12-16**

(52) **U.S. Cl.** **D12/209**

(58) **Field of Classification Search** D12/204-213;
301/37.01, 64.101, 65

See application file for complete search history.

(56) **References Cited**

U.S. PATENT DOCUMENTS

D391,543 S	*	3/1998	Renkert	D12/209
D426,184 S		6/2000	Goplen		
D450,647 S	*	11/2001	Pfeiffer	D12/211
D455,993 S	*	4/2002	Ayoub et al.	D12/211
D467,213 S	*	12/2002	Pfeiffer et al.	D12/211
D467,855 S	*	12/2002	Laengerer	D12/209
D469,048 S		1/2003	Van Hooydonk		
D477,262 S	*	7/2003	Koch	D12/209

D487,881 S	*	3/2004	Laengerer	D12/209
D503,668 S	*	4/2005	Boyer	D12/209
D504,097 S	*	4/2005	Markefka	D12/209
D504,381 S	*	4/2005	Rice	D12/211
D506,428 S	*	6/2005	Hussaini et al.	D12/209
D510,554 S	*	10/2005	Markefka	D12/211
D513,487 S	*	1/2006	Wachtler	D12/209
D516,002 S	*	2/2006	Fahr-Becker	D12/211
D519,907 S	*	5/2006	Kikuchi	D12/211
D520,431 S	*	5/2006	Truebsbach	D12/209

FOREIGN PATENT DOCUMENTS

DE 40006568.1 10/2000

* cited by examiner

Primary Examiner—Stacia Cadmus

(74) *Attorney, Agent, or Firm*—Crowell & Moring LLP

(57) **CLAIM**

The ornamental design for a front face of a vehicle wheel, as shown and described.

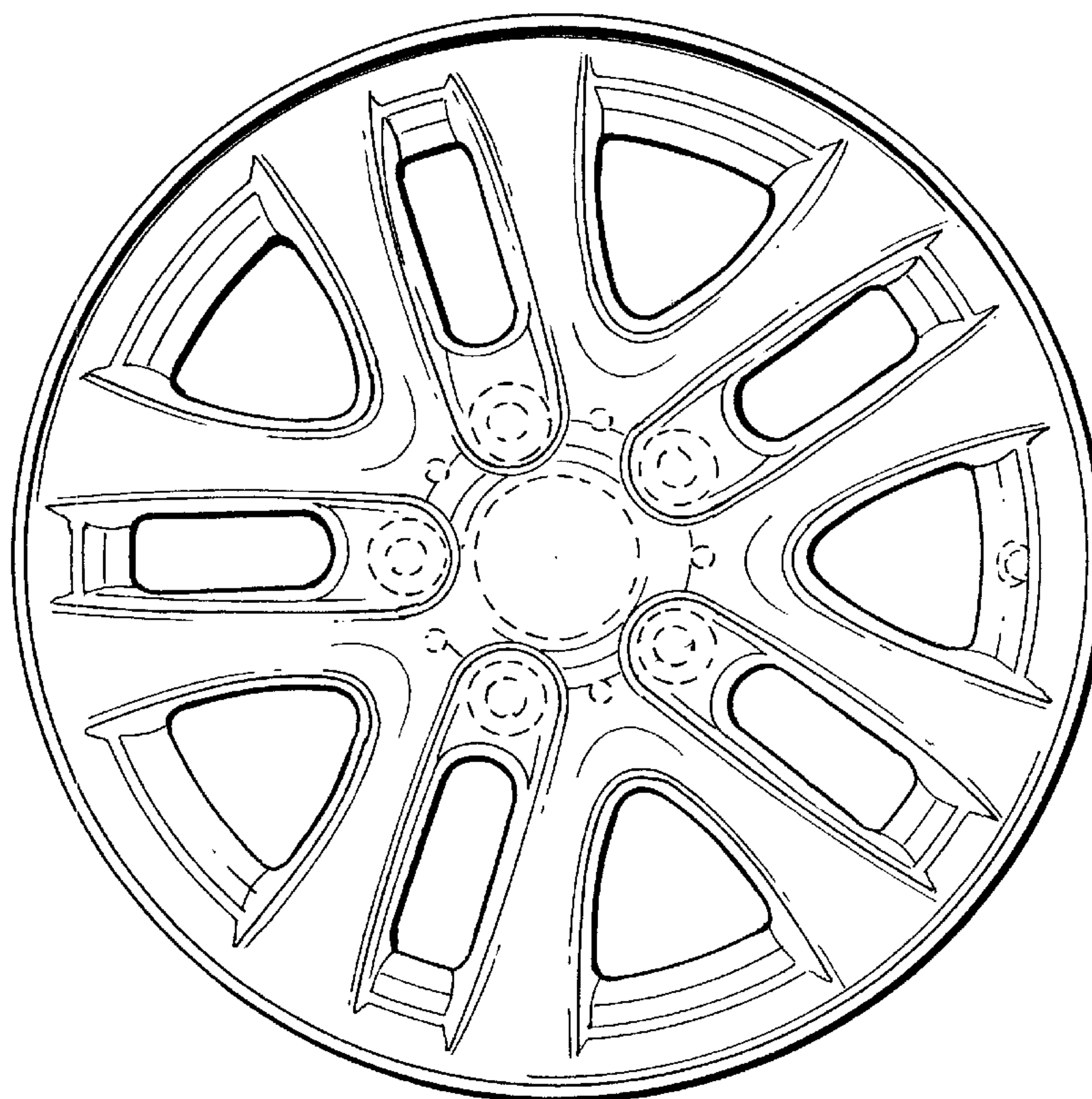
DESCRIPTION

FIG. 1 is a front view of a front face of a vehicle wheel according to my novel design; and,

FIG. 2 is a perspective view of the front face of a vehicle wheel according to my novel design.

The broken lines are for illustrative purposes only and form no part of the claimed design.

1 Claim, 1 Drawing Sheet



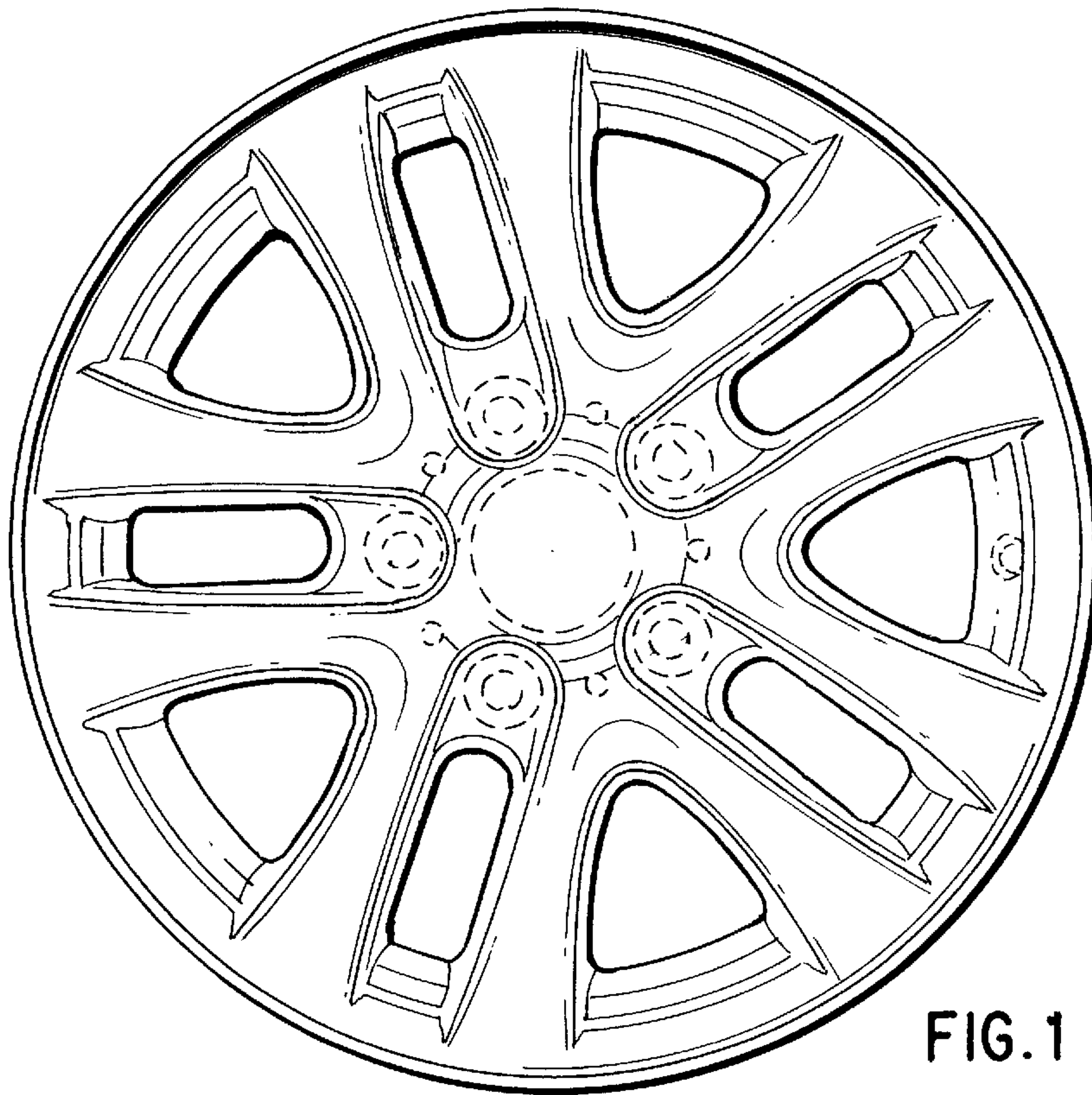


FIG. 1

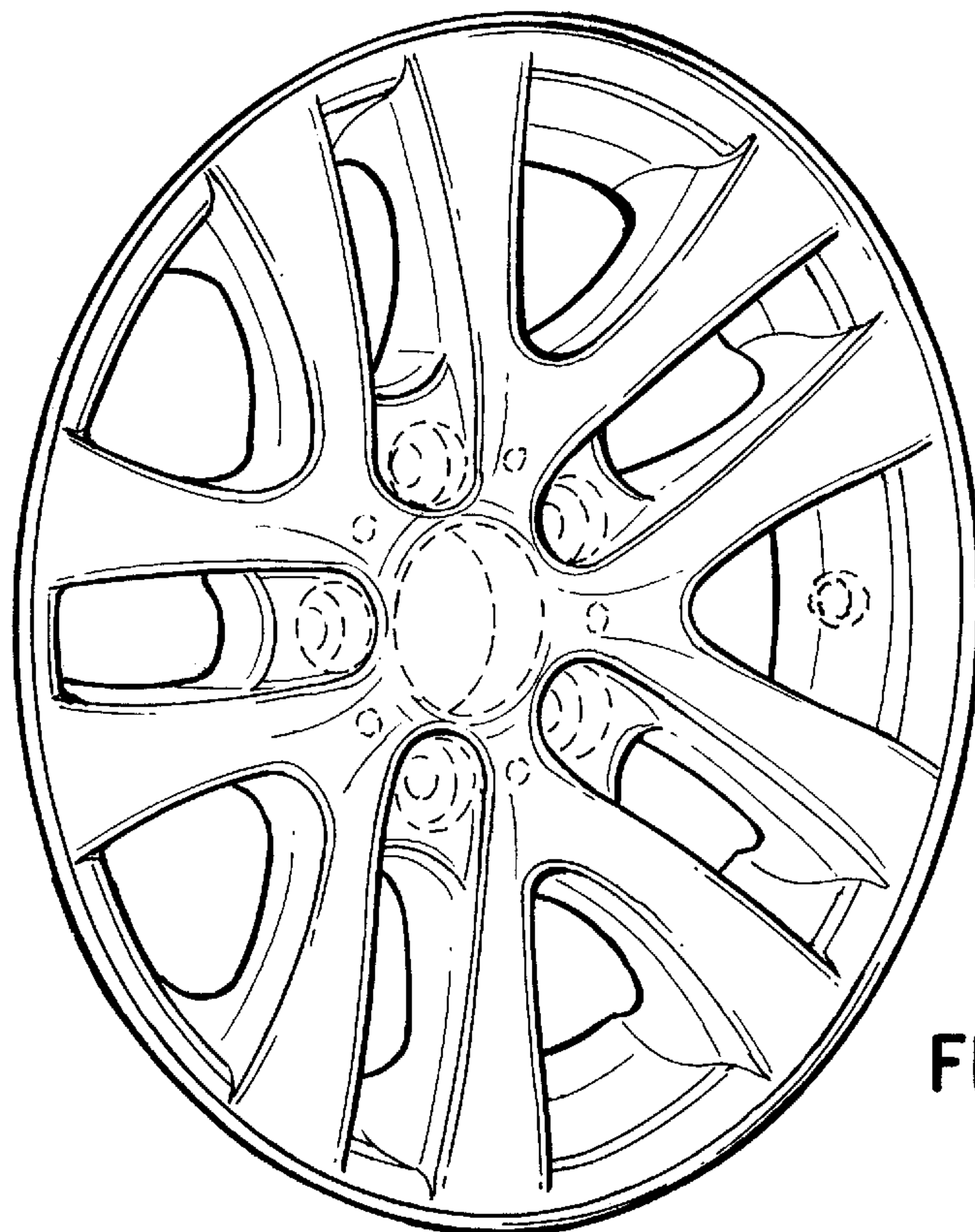


FIG. 2