



US00D530251S

(12) **United States Design Patent**
Gabath

(10) **Patent No.:** **US D530,251 S**
(45) **Date of Patent:** **** Oct. 17, 2006**

(54) **FRONT FACE OF A VEHICLE WHEEL**

(75) Inventor: **Peter Gabath**, Jesenwang (DE)

(73) Assignee: **Bayerische Motoren Werke Aktiengesellschaft**, Munich (DE)

(**) Term: **14 Years**

(21) Appl. No.: **29/213,697**

(22) Filed: **Sep. 22, 2004**

(30) **Foreign Application Priority Data**

Mar. 23, 2004 (DE) 40401901

(51) **LOC (8) Cl.** **12-16**

(52) **U.S. Cl.** **D12/209**

(58) **Field of Classification Search** D12/204-213;
301/37.101, 64.101, 65

See application file for complete search history.

(56) **References Cited**

U.S. PATENT DOCUMENTS

D463,350 S * 9/2002 Lee D12/211
D471,144 S * 3/2003 Pfeiffer D12/209
D476,284 S * 6/2003 Pfeiffer et al. D12/211
D494,523 S * 8/2004 Koenigsberg D12/209
D504,099 S * 4/2005 Boyer D12/211

D504,651 S * 5/2005 Johnson D12/211
D506,718 S * 6/2005 Szavits D12/209
D507,518 S * 7/2005 Scheu D12/209
D510,307 S * 10/2005 Howes D12/209
D511,733 S * 11/2005 van Hooydonk D12/209
D512,675 S * 12/2005 Nagashima D12/209
D513,726 S * 1/2006 Kamimura D12/211
D514,999 S * 2/2006 Boyer D12/209

OTHER PUBLICATIONS

“AM Network 2002,” p. 62, Jul. 25, 2001.

* cited by examiner

Primary Examiner—Stacia Cadmus

(74) *Attorney, Agent, or Firm*—Crowell & Moring LLP

(57) **CLAIM**

The ornamental design for a front face of a vehicle wheel, as shown and described.

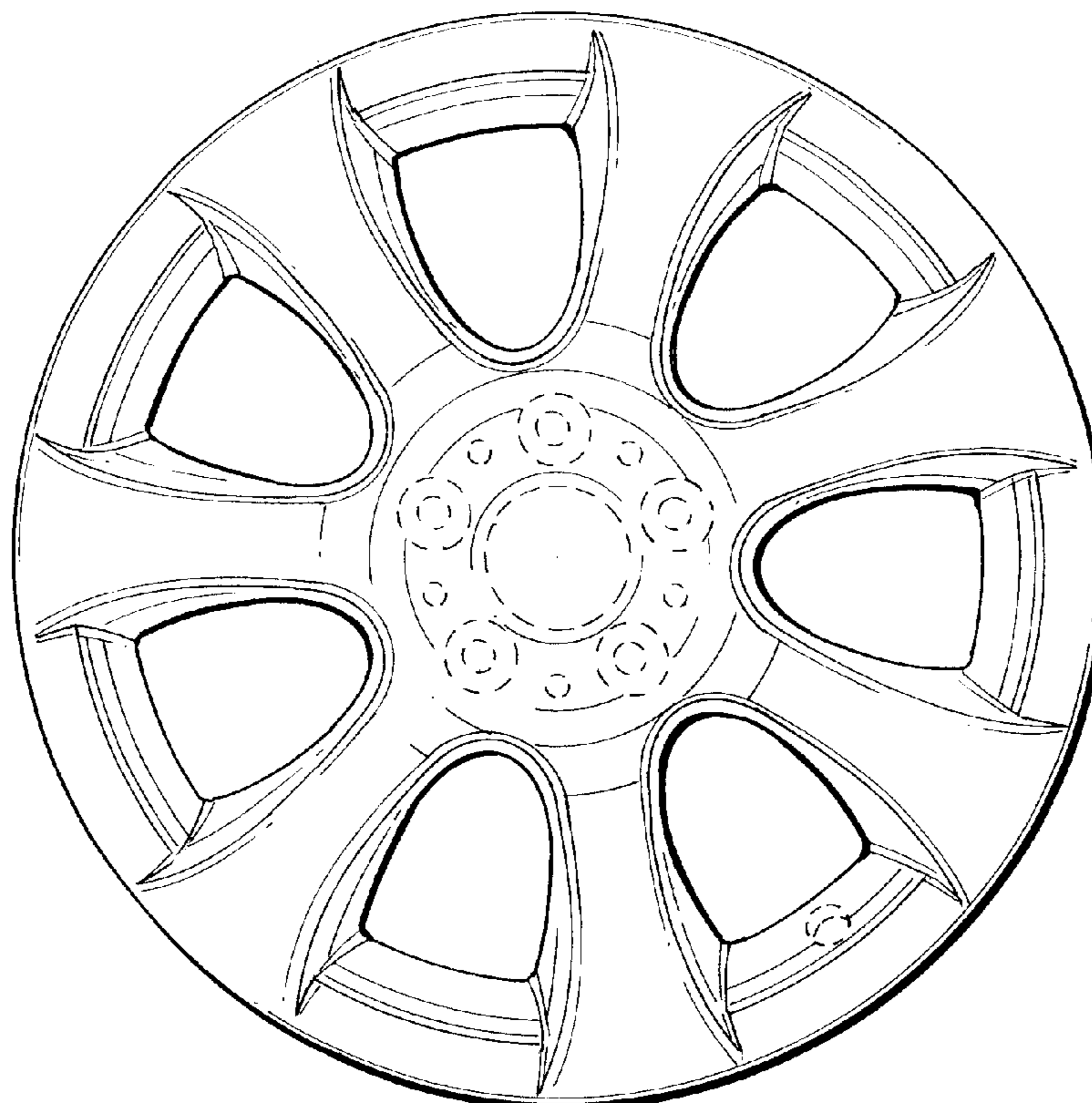
DESCRIPTION

FIG. 1 is a front view of a front face of a vehicle wheel according to my novel design; and,

FIG. 2 is a perspective view of the front face of a vehicle wheel according to my novel design.

The broken lines are for illustrative purposes only and form no part of the claimed design.

1 Claim, 1 Drawing Sheet



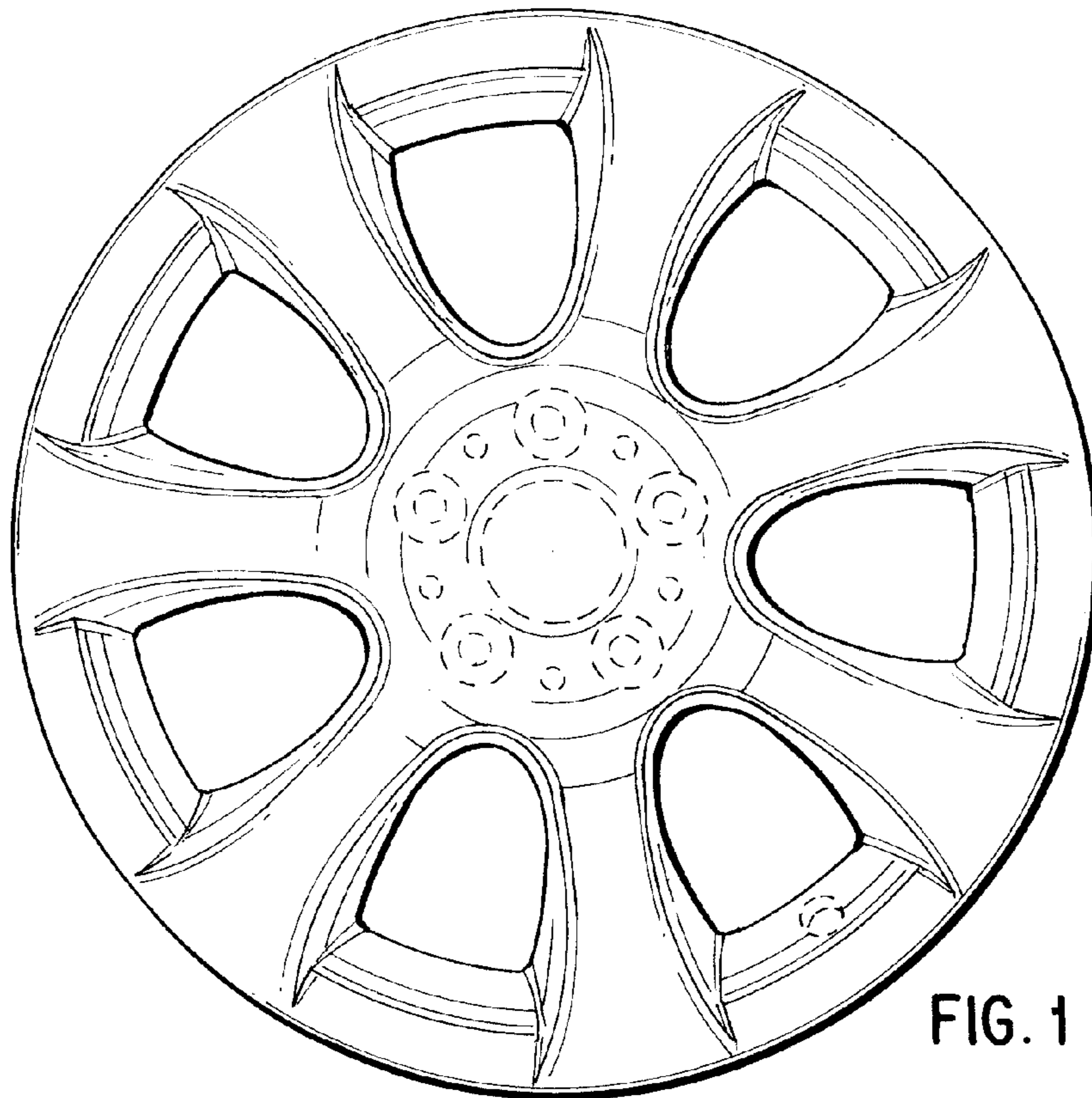


FIG. 1

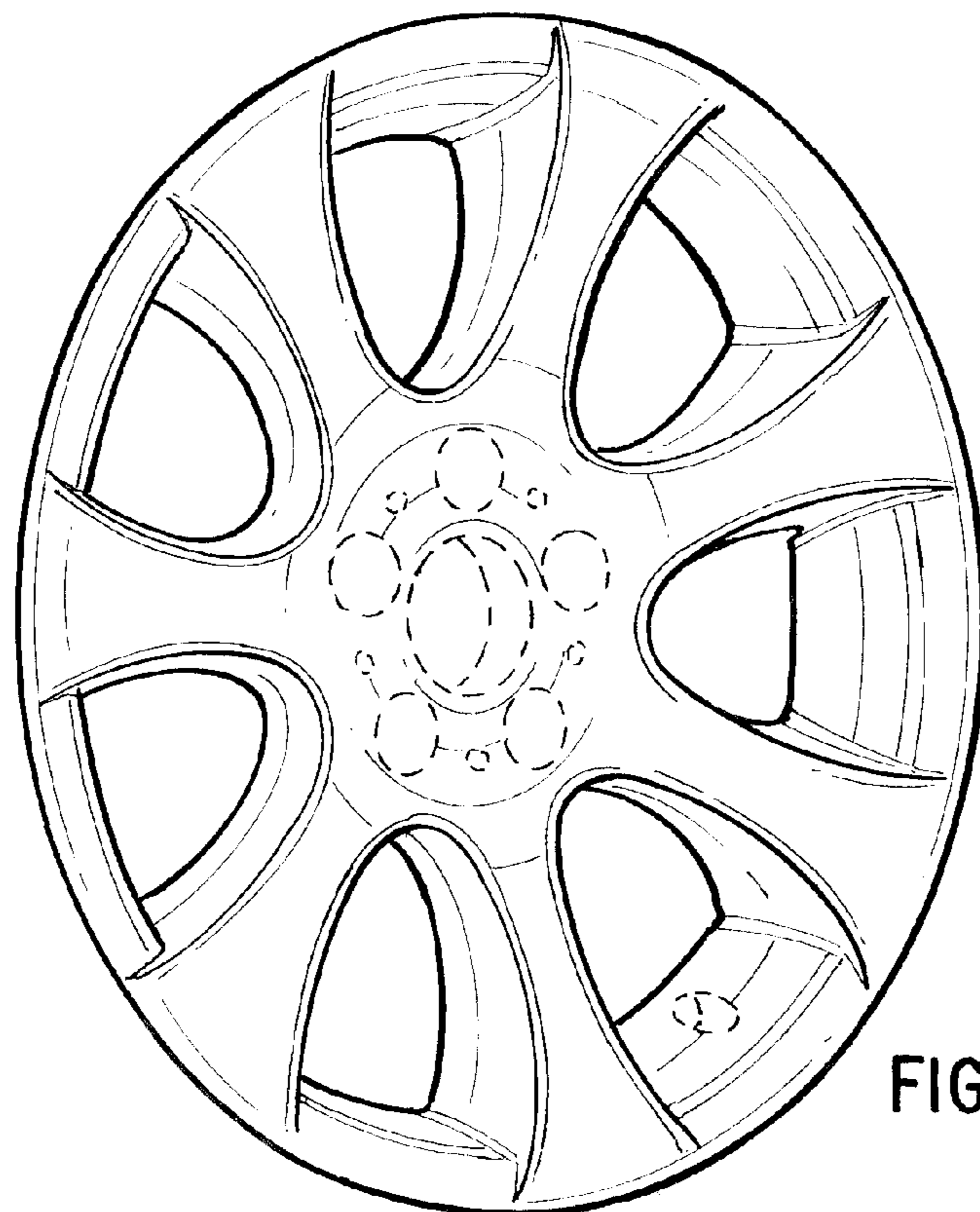


FIG. 2