



US00D530247S

(12) **United States Design Patent** (10) **Patent No.:** **US D530,247 S**
Angelo et al. (45) **Date of Patent:** **** Oct. 17, 2006**

(54) **GRILLE SURROUND FOR TRUCK**
(75) Inventors: **Gerald Jay Angelo**, Bellevue, WA
(US); **Daniel Kieffer**, Kirkland, WA
(US); **Wayne K. Simons**, Kent, WA
(US); **Daniel Farmer**, Coupeville, WA
(US)

D412,874 S 8/1999 Meryman et al.
D422,251 S 4/2000 Bader et al.
D423,990 S 5/2000 Meryman et al.
D424,489 S 5/2000 Damon et al.
D425,450 S 5/2000 Barraclough et al.
D425,835 S 5/2000 Cook et al.
D431,806 S 10/2000 Damon et al.

(Continued)

(73) Assignee: **PACCAR Inc**, Bellevue, WA (US)

(**) Term: **14 Years**

(21) Appl. No.: **29/238,200**

(22) Filed: **Sep. 12, 2005**

(51) **LOC (8) Cl.** **12-16**

(52) **U.S. Cl.** **D12/163**

(58) **Field of Classification Search** D12/163,
D12/93, 96, 173; 180/68.1, 68.6; 296/193.1

See application file for complete search history.

(56) **References Cited**

U.S. PATENT DOCUMENTS

D291,872 S 9/1987 Simons et al.
D291,982 S 9/1987 Simons et al.
D307,731 S 5/1990 Kerney et al.
D308,032 S 5/1990 Kerney et al.
D311,711 S 10/1990 Marlowe et al.
D312,805 S 12/1990 Marlowe et al.
D313,784 S 1/1991 Marlowe et al.
D313,966 S 1/1991 Marlowe et al.
D320,583 S 10/1991 Simons et al.
D329,214 S 9/1992 Marlowe et al.
D361,968 S * 9/1995 Oyama D12/163
D366,638 S 1/1996 Tucker et al.
D382,841 S 8/1997 Norwood et al.
D384,019 S 9/1997 Meryman et al.
D389,108 S 1/1998 Norwood et al.
D395,860 S 7/1998 Meryman et al.
D400,835 S * 11/1998 Le Quement et al. D12/163
D401,198 S * 11/1998 Mueller et al. D12/173
D403,636 S 1/1999 Meryman et al.
D405,037 S 2/1999 Meryman et al.
D411,140 S 6/1999 Meryman et al.
D411,494 S 6/1999 Meryman et al.

OTHER PUBLICATIONS

Kenworth Truck Company W900 brochure, Kirkland, Wash, 2005.

Kenworth Truck Company W900 brochure, Kirkland, Wash, 2002.

Kenworth Truck Company W900 brochure, Kirkland, Wash, 1996.

(Continued)

Primary Examiner—Melody N. Brown

(74) *Attorney, Agent, or Firm*—Christensen O'Connor Johnston Kindness PLLC

(57) **CLAIM**

The ornamental design for a grille surround for truck, as shown and described.

DESCRIPTION

FIG. 1 is a front perspective view of a grille surround for truck showing our new design;

FIG. 2 is a front elevational view of the grille surround for truck of FIG. 1;

FIG. 3 is a rear elevational view of the grille surround for truck of FIG. 1;

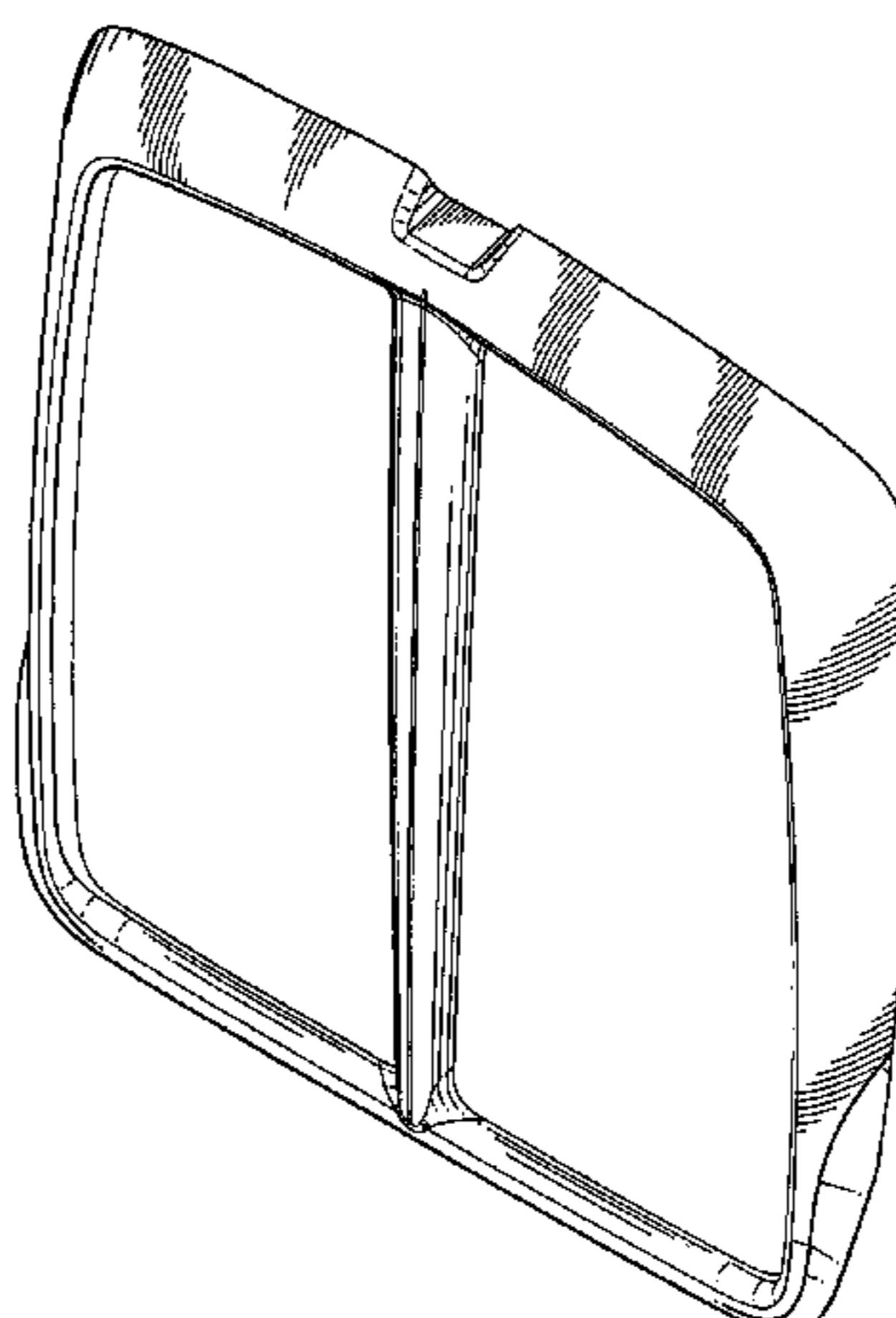
FIG. 4 is a top plan view of the grille surround for truck of FIG. 1;

FIG. 5 is a bottom plan view of the grille surround for truck of FIG. 1;

FIG. 6 is a left side elevational view of the grille surround for truck of FIG. 1; and,

FIG. 7 is a right side elevational view of the grille surround for truck of FIG. 1.

1 Claim, 4 Drawing Sheets



U.S. PATENT DOCUMENTS

D433,981 S 11/2000 Davis et al.
D434,347 S 11/2000 Damon et al.
D436,894 S 1/2001 Barraclough et al.
D437,258 S 2/2001 Meryman et al.
D437,570 S 2/2001 Meryman et al.
D475,657 S 6/2003 Wong et al.
D484,077 S 12/2003 Conway et al.
D497,581 S * 10/2004 Conway et al. D12/173
D502,897 S 3/2005 Delashaw et al.
D515,474 S * 2/2006 Wu D12/163

OTHER PUBLICATIONS

Kenworth Truck Company T2000 brochure, Kirkland, Wash, 2005.
Kenworth Truck Company T2000 brochure, Kirkland, Wash, 2002.
Kenworth Truck Company T800 brochure, Kirkland, Wash, 2005.

Kenworth Truck Company T800 brochure, Kirkland, Wash, 2003.

Kenworth Truck Company T800 brochure, Kirkland, Wash, 2002.

Kenworth Truck Company T600 brochure, Kirkland, Wash, 2005.

Kenworth Truck Company T600 brochure, Kirkland, Wash, 2002.

Kenworth Truck Company T600 brochure, Kirkland, Wash, 1996.

Kenworth Truck Company T300 brochure, Kirkland, Wash, 2005.

Kenworth Truck Company T300 brochure, Kirkland, Wash, 2001.

* cited by examiner

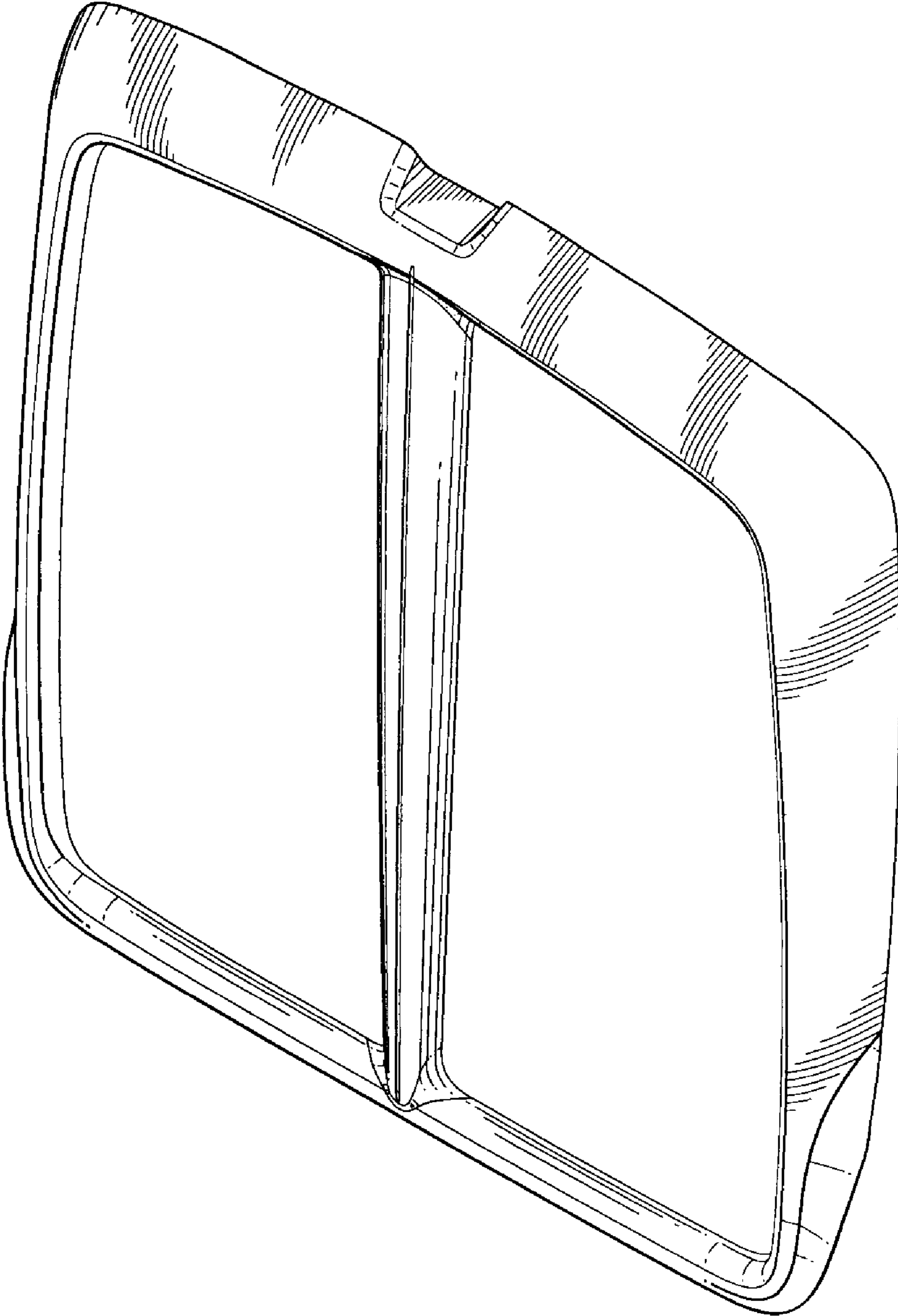


Fig. 1.

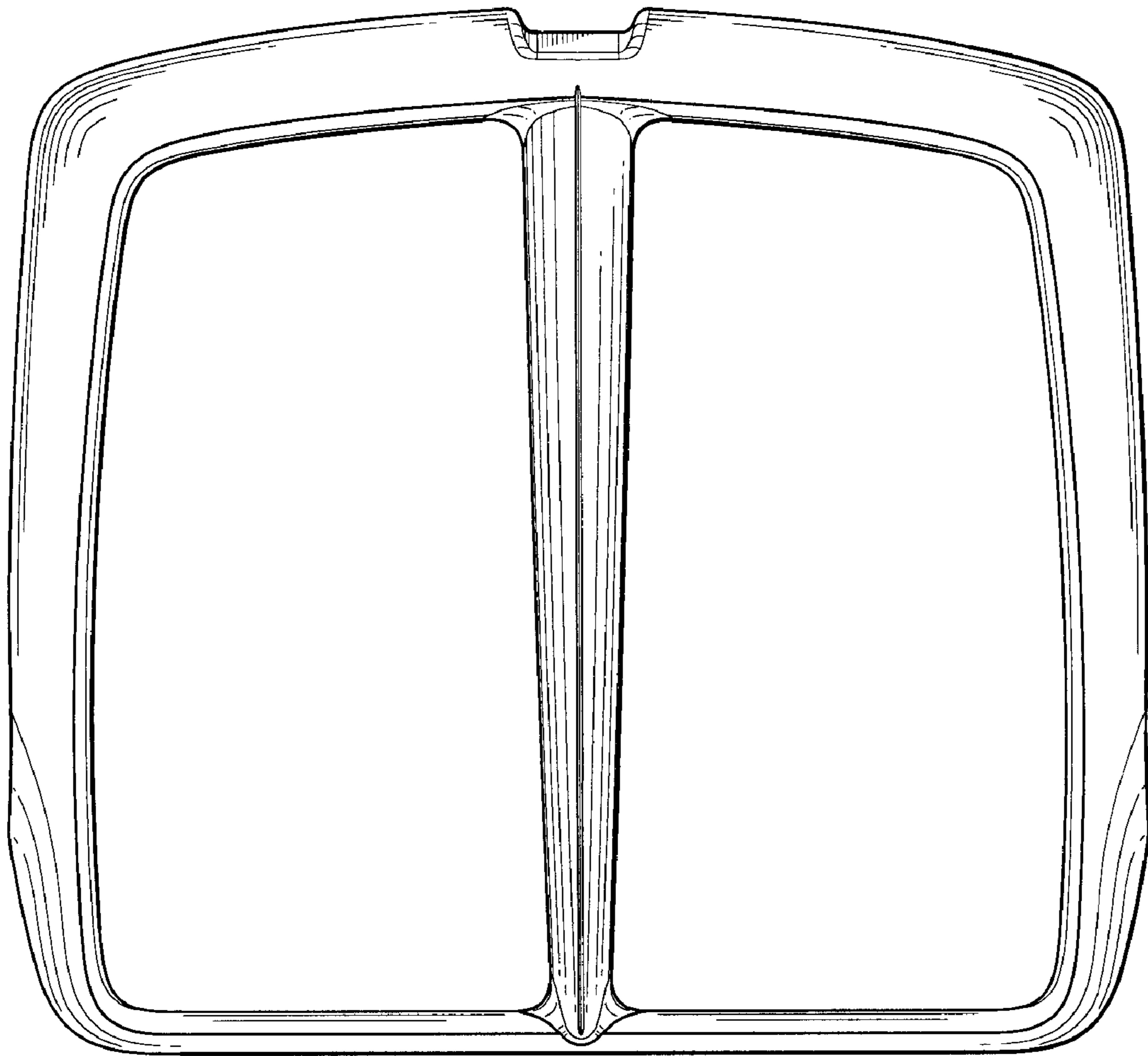


Fig. 2.

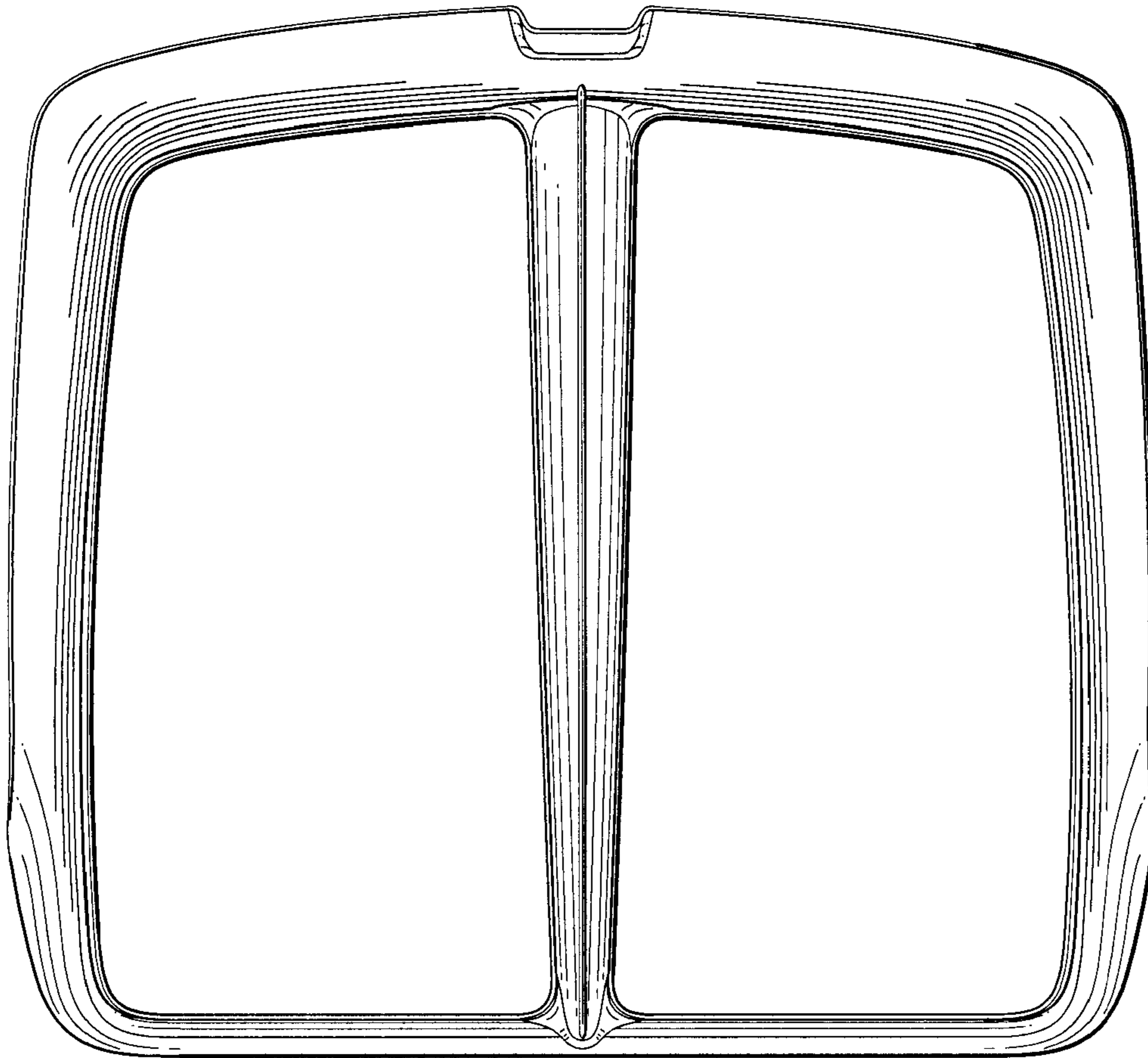


Fig. 3.

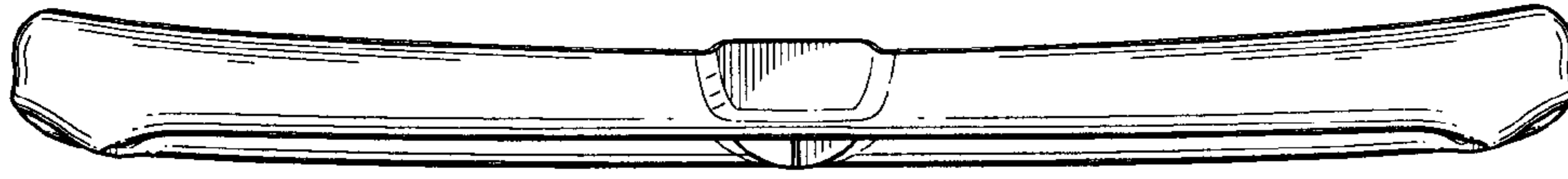


Fig. 4.

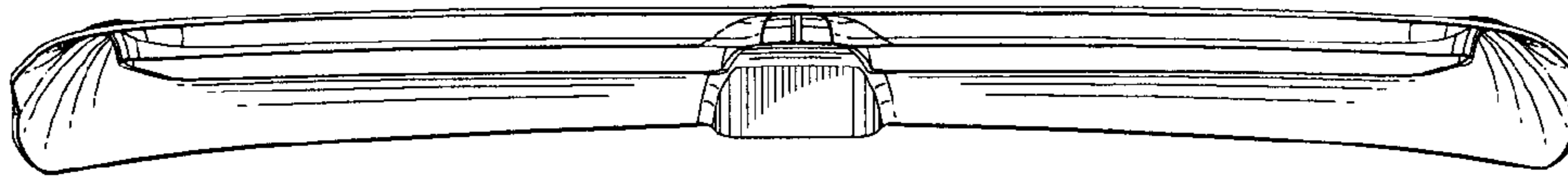


Fig. 5.

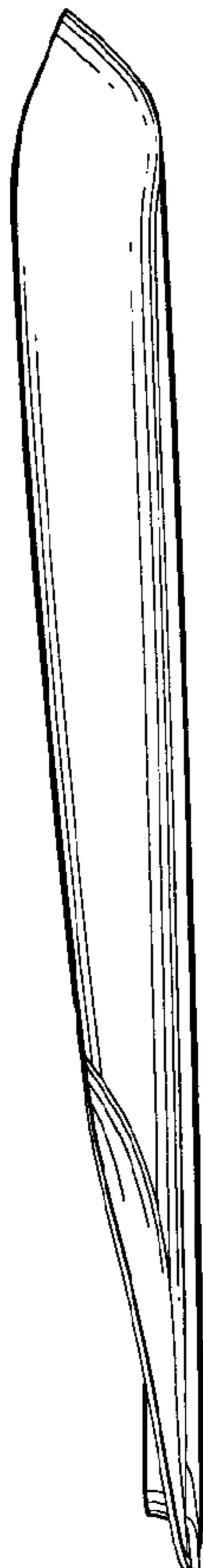


Fig. 6.



Fig. 7.