



US00D530246S

(12) **United States Design Patent**  
**Shipman**

(10) **Patent No.:** **US D530,246 S**

(45) **Date of Patent:** **\*\* Oct. 17, 2006**

(54) **TREE CARRIER FOR VEHICLE TRAILER HITCH**

(76) Inventor: **Phillip A. Shipman**, 18032 - C Lemon Dr., PMB #558, Yorba Linda, CA (US) 92886

(\*\*) Term: **14 Years**

(21) Appl. No.: **29/231,331**

(22) Filed: **Jun. 2, 2005**

(51) **LOC (8) Cl.** ..... **12-16**

(52) **U.S. Cl.** ..... **D12/162**

(58) **Field of Classification Search** ..... D12/106,  
D12/161.1, 62; 280/186, 402-405.2, 407,  
280/407.1, 416.2, 455.1, 491.5; 86/10, 12,  
86/18, 19.5, 55; D22/115, 116; D21/708,  
D21/709

See application file for complete search history.

(56) **References Cited**

**U.S. PATENT DOCUMENTS**

1,662,091	A	3/1928	Vuozzo	
4,571,881	A *	2/1986	Lathim	47/40.5
5,118,067	A	6/1992	Gillanders	
5,299,381	A	4/1994	Oldenburg	
5,332,066	A *	7/1994	Pickeral	280/475
5,388,799	A	2/1995	Keefe	
5,425,547	A	6/1995	Payan	
5,702,086	A	12/1997	Hunt	
5,743,508	A *	4/1998	Fiveash	47/40.5

5,800,294	A	9/1998	Naecker	
6,041,545	A *	3/2000	Sofy et al.	47/40.5
6,361,264	B1	3/2002	Guthrie	
6,409,188	B1	6/2002	Hesmer	
6,554,171	B1	4/2003	Ewing	
6,722,380	B1	4/2004	Hafer	
6,983,921	B1 *	1/2006	Rahmer	47/40.5
2005/0051695	A1 *	3/2005	Kovach	47/40.5
2005/0217171	A1 *	10/2005	Brett	47/40.5

\* cited by examiner

*Primary Examiner*—Doris Clark

*Assistant Examiner*—Michael Pratt

(74) *Attorney, Agent, or Firm*—Dennis W. Beech

(57) **CLAIM**

The ornamental design for a tree carrier for vehicle trailer hitch, as shown and described.

**DESCRIPTION**

FIG. 1 is a right side elevation view of a tree carrier for vehicle trailer hitch showing my new design.

FIG. 2 is a left side elevation view thereof;

FIG. 3 is a front elevation view thereof;

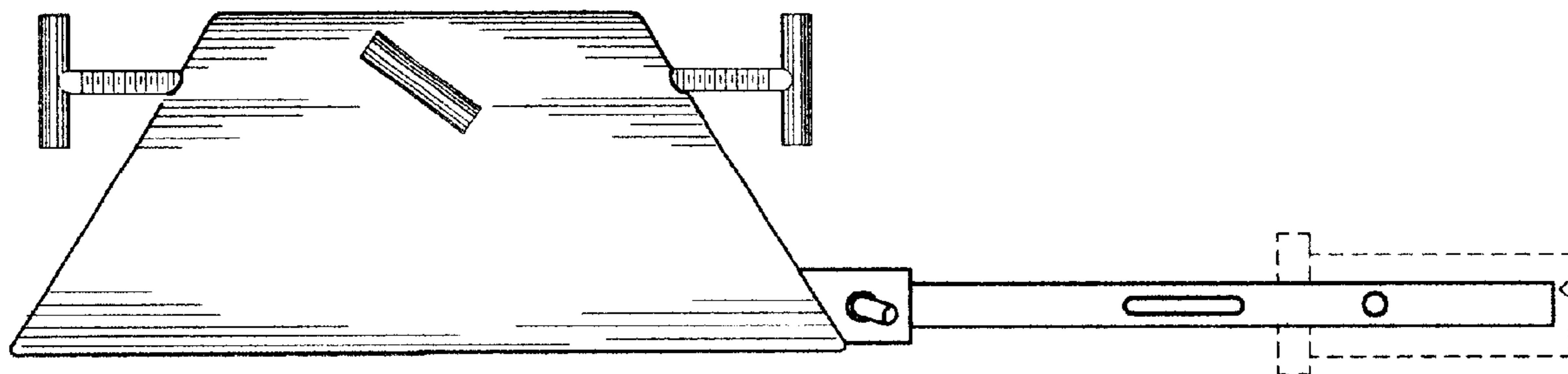
FIG. 4 is a rear elevation view thereof;

FIG. 5 is a top plan view thereof; and,

FIG. 6 is a bottom plan view thereof.

The broken line showing of a portion of a trailer hitch in the Figures is for illustrative purposes only and forms no part of the claimed design.

**1 Claim, 2 Drawing Sheets**



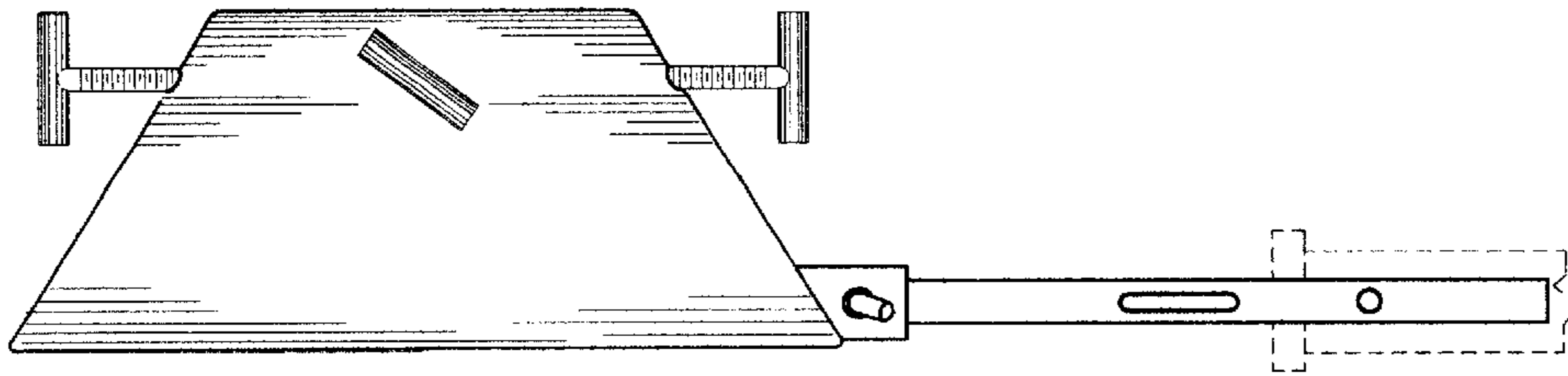


FIG. 1

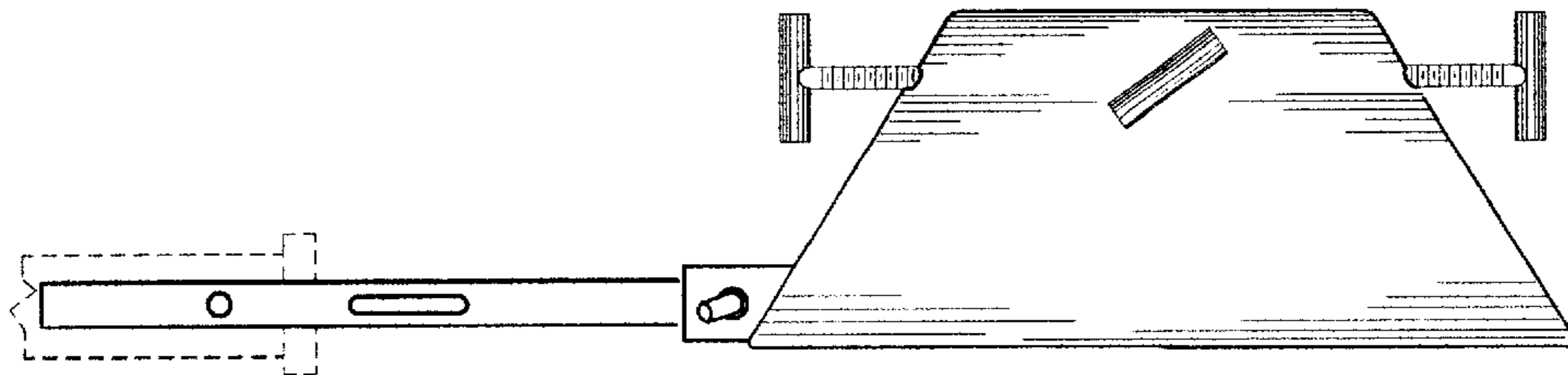


FIG. 2

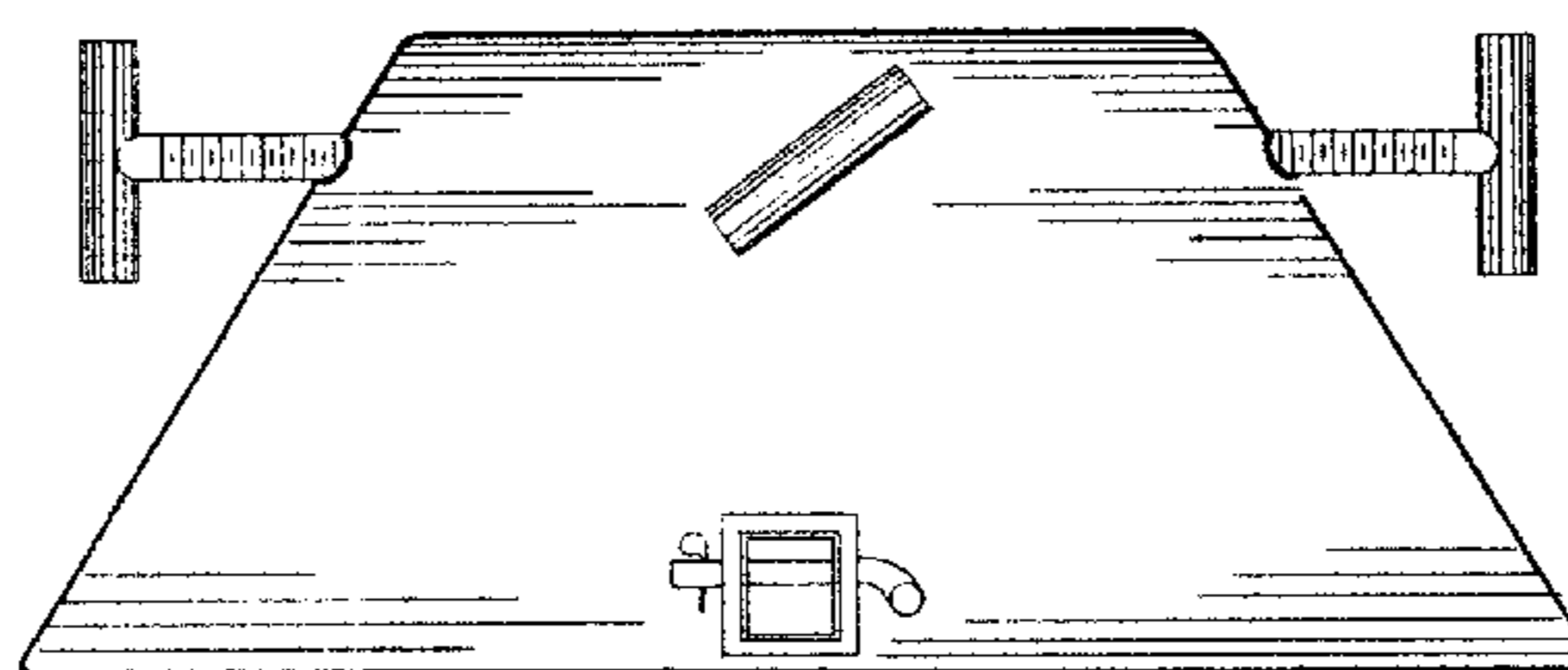


FIG. 3

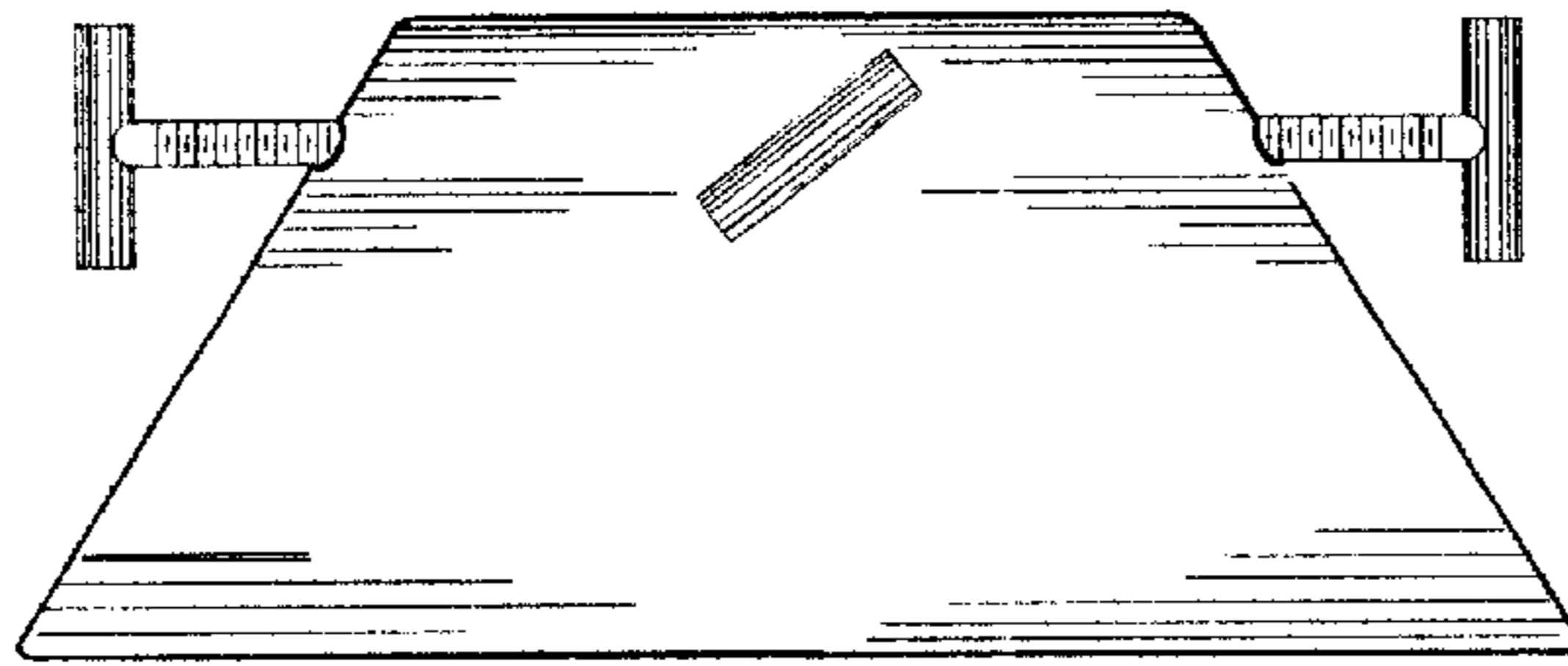


FIG. 4

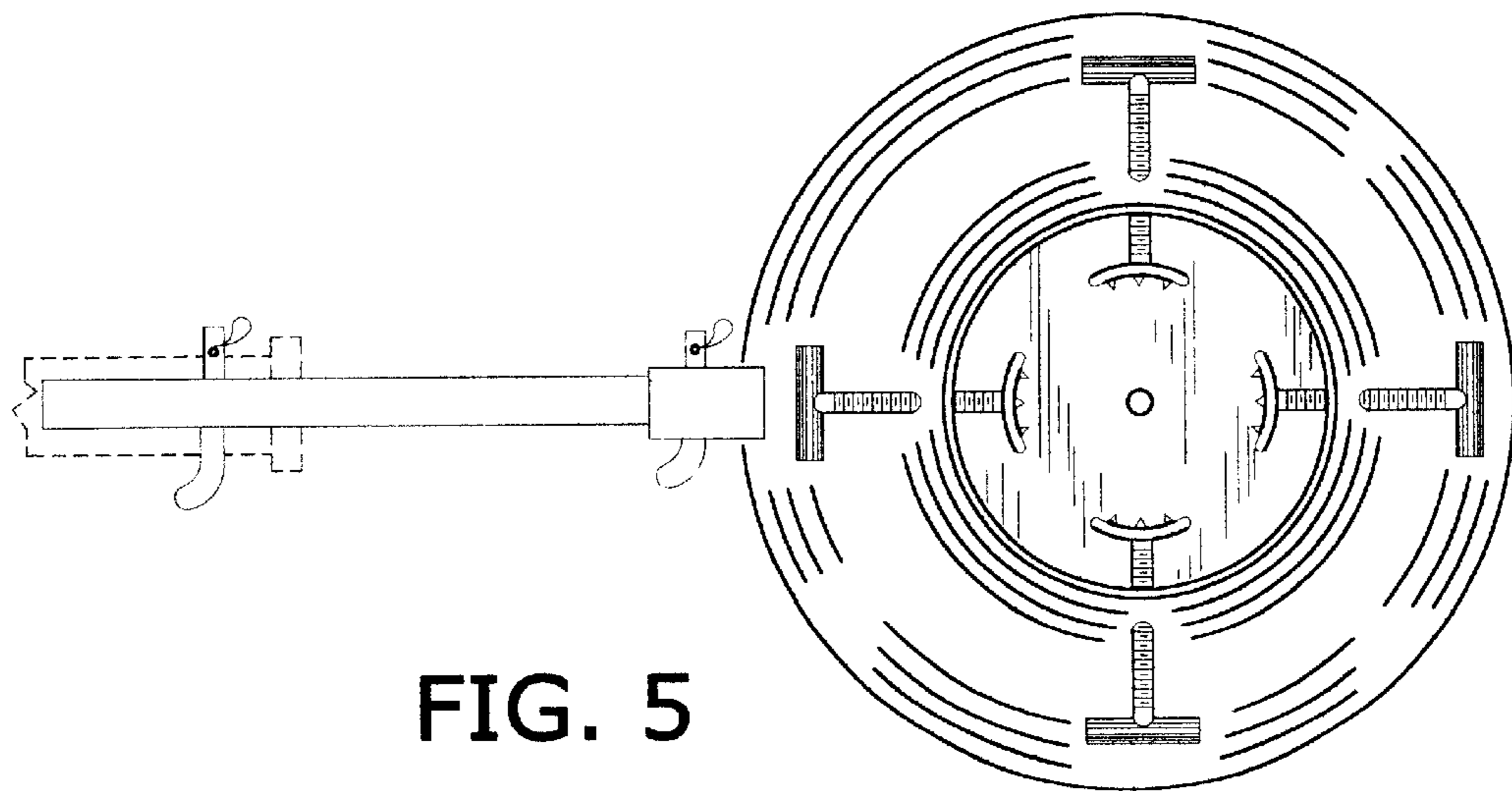


FIG. 5

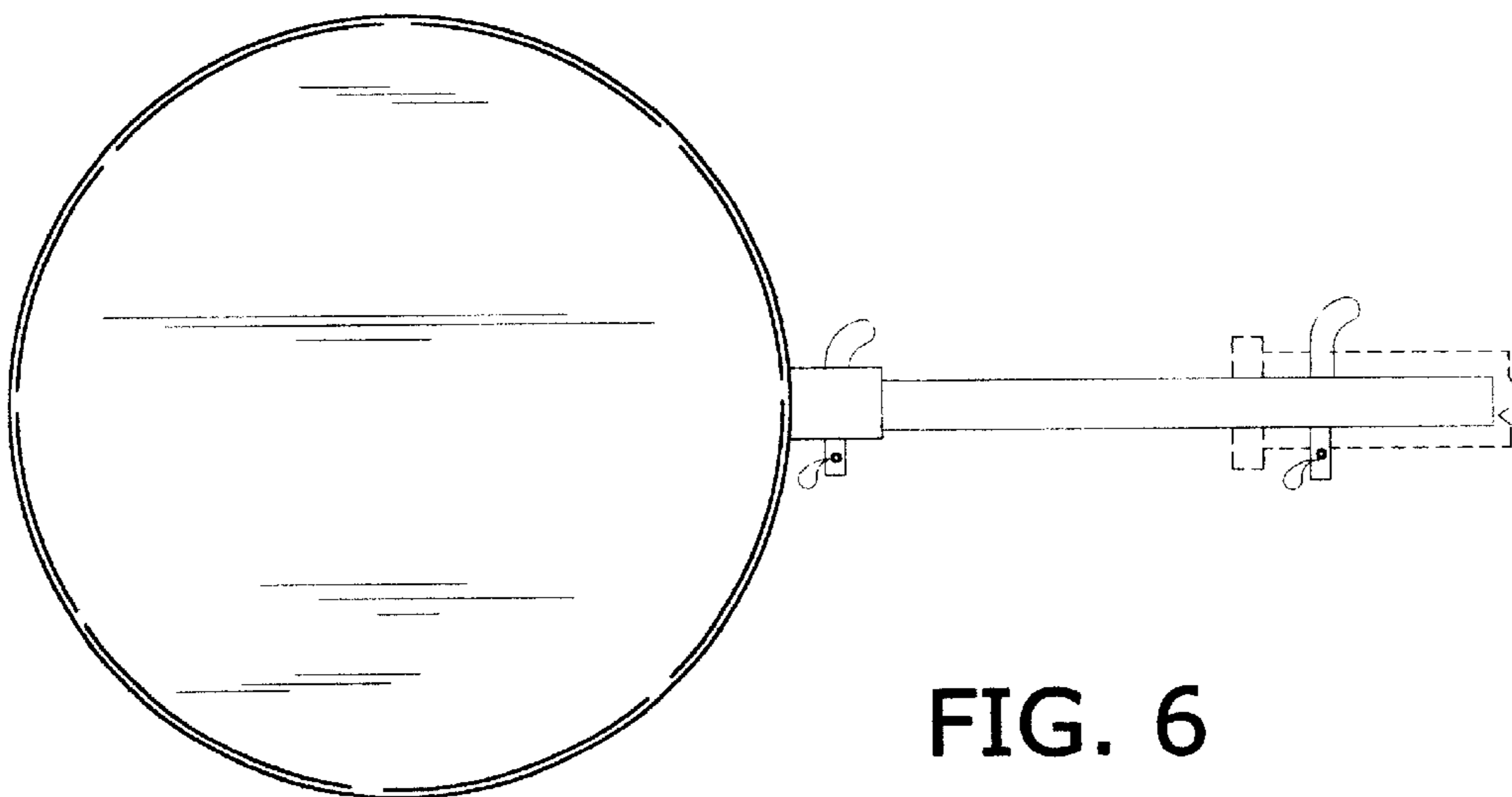


FIG. 6