



US00D530244S

(12) **United States Design Patent**
Wilm et al.

(10) **Patent No.:** **US D530,244 S**

(45) **Date of Patent:** **** Oct. 17, 2006**

(54) **SURFACE CONFIGURATION OF A
MOTORCYCLE, TOY, AND/OR OTHER
REPLICAS**

(75) Inventors: **Sebastian Wilm**, Munich (DE); **David
Irwin Robb**, Munich (DE)

(73) Assignee: **Bayerische Motoren Werke
Aktiengesellschaft**, Munich (DE)

(**) Term: **14 Years**

(21) Appl. No.: **29/251,818**

(22) Filed: **Jan. 13, 2006**

(30) **Foreign Application Priority Data**

Jul. 16, 2005 (DE) 40503788

(51) **LOC (8) Cl.** **12-11**

(52) **U.S. Cl.** **D12/110**

(58) **Field of Classification Search** D12/110;
D21/432, 538; 280/827, 828; 180/219, 220,
180/225, 229; 446/440

See application file for complete search history.

(56) **References Cited**

U.S. PATENT DOCUMENTS

D476,271 S * 6/2003 Abe et al. D12/110

D519,415 S * 4/2006 Hohdorf et al. D12/110

* cited by examiner

Primary Examiner—Alan P. Douglas

Assistant Examiner—Linda Brooks

(74) *Attorney, Agent, or Firm*—Crowell & Moring LLP

(57) **CLAIM**

The ornamental design for a surface configuration of a motorcycle, toy, and/or other replicas, as shown and described.

DESCRIPTION

FIG. 1 is a front, left perspective view of a surface configuration of a motorcycle, toy and/or other replicas according to our novel design;

FIG. 2 is a front, right perspective view thereof;

FIG. 3 is a rear, left perspective view thereof;

FIG. 4 is a rear, right perspective view thereof;

FIG. 5 is a right side view thereof;

FIG. 6 is a left side view thereof;

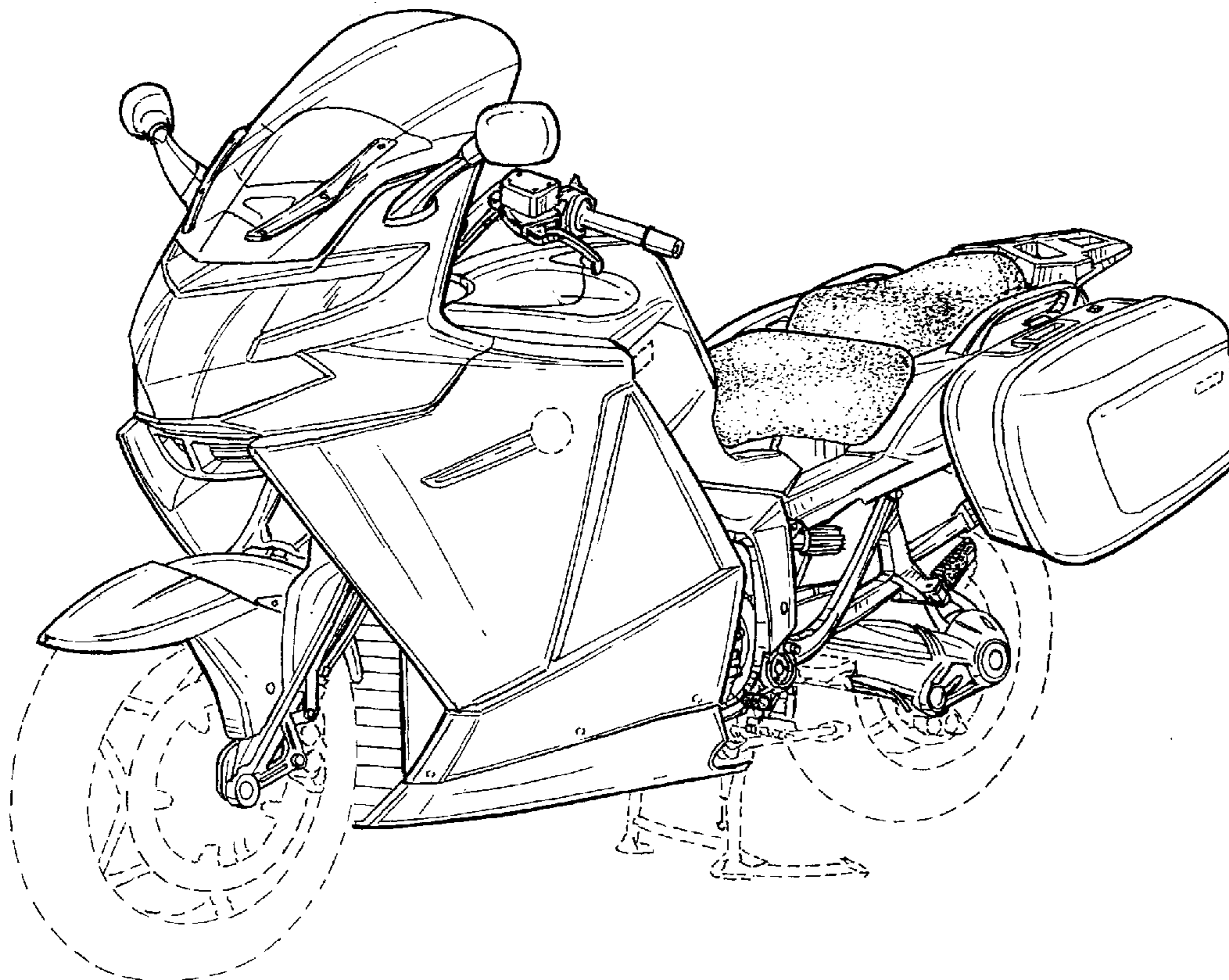
FIG. 7 is a front view thereof;

FIG. 8 is a rear view thereof; and,

FIG. 9 is a top view thereof.

The broken lines are for illustrative purposes only and form no part of the claimed design.

1 Claim, 9 Drawing Sheets



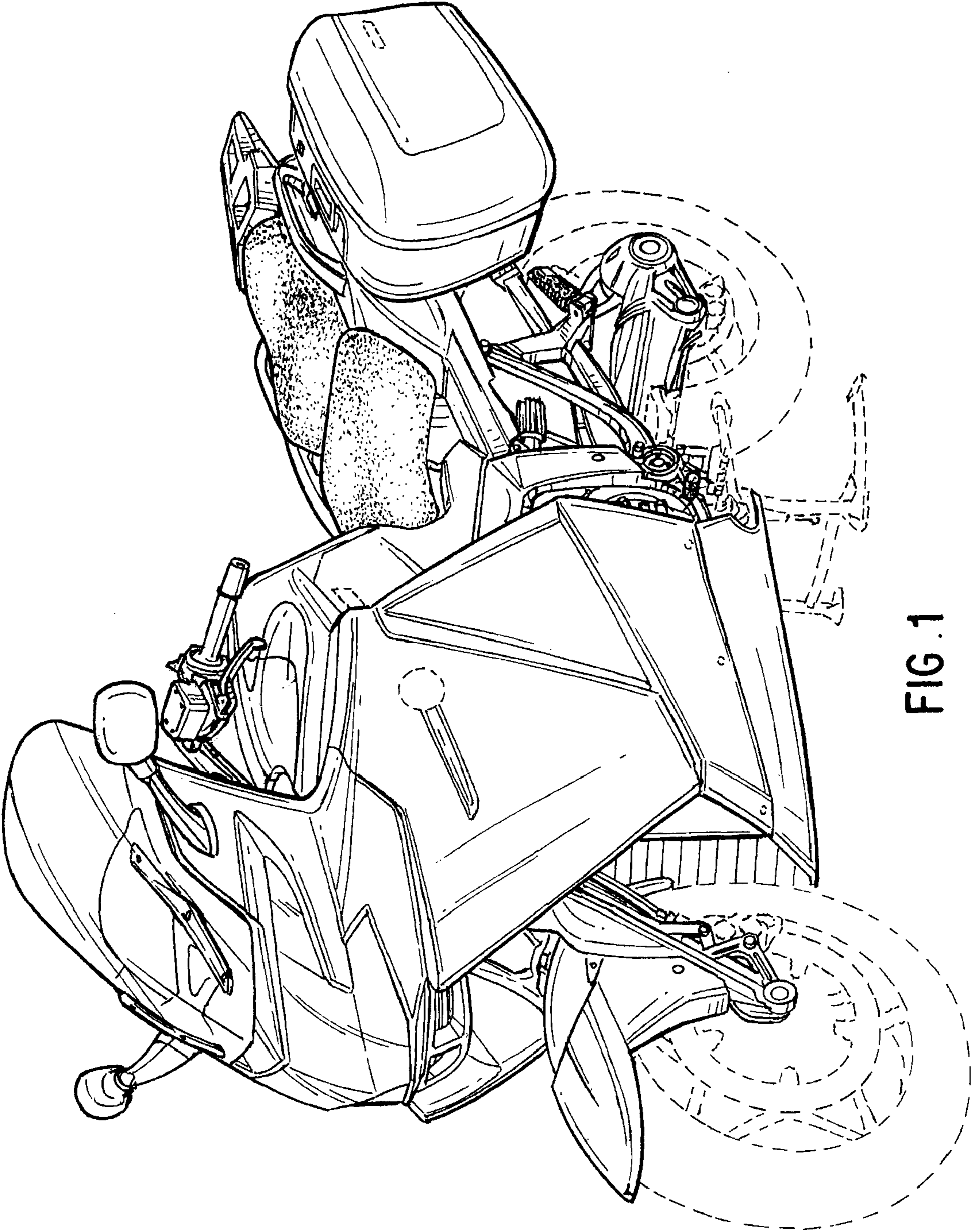


FIG. 1

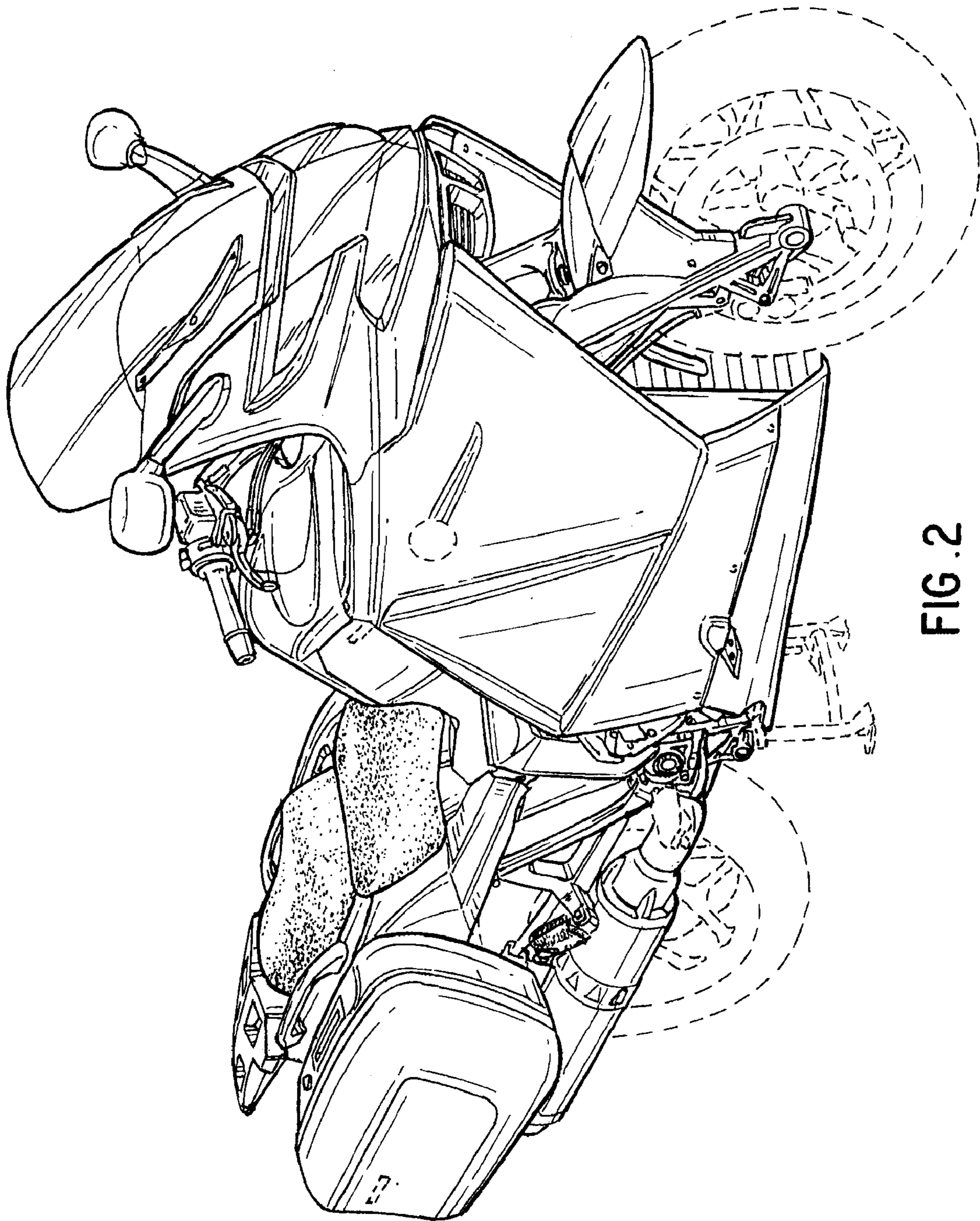


FIG. 2

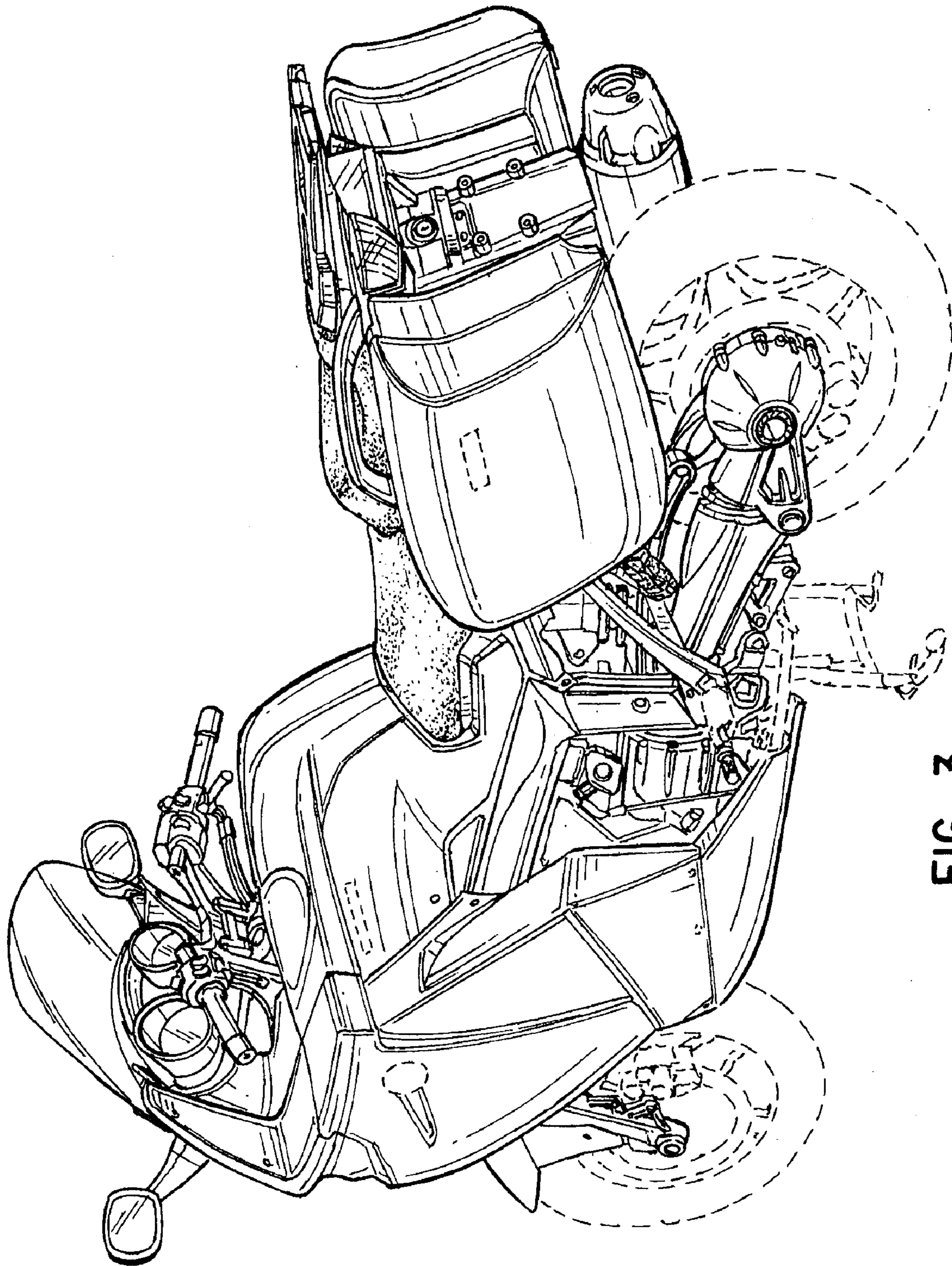


FIG. 3

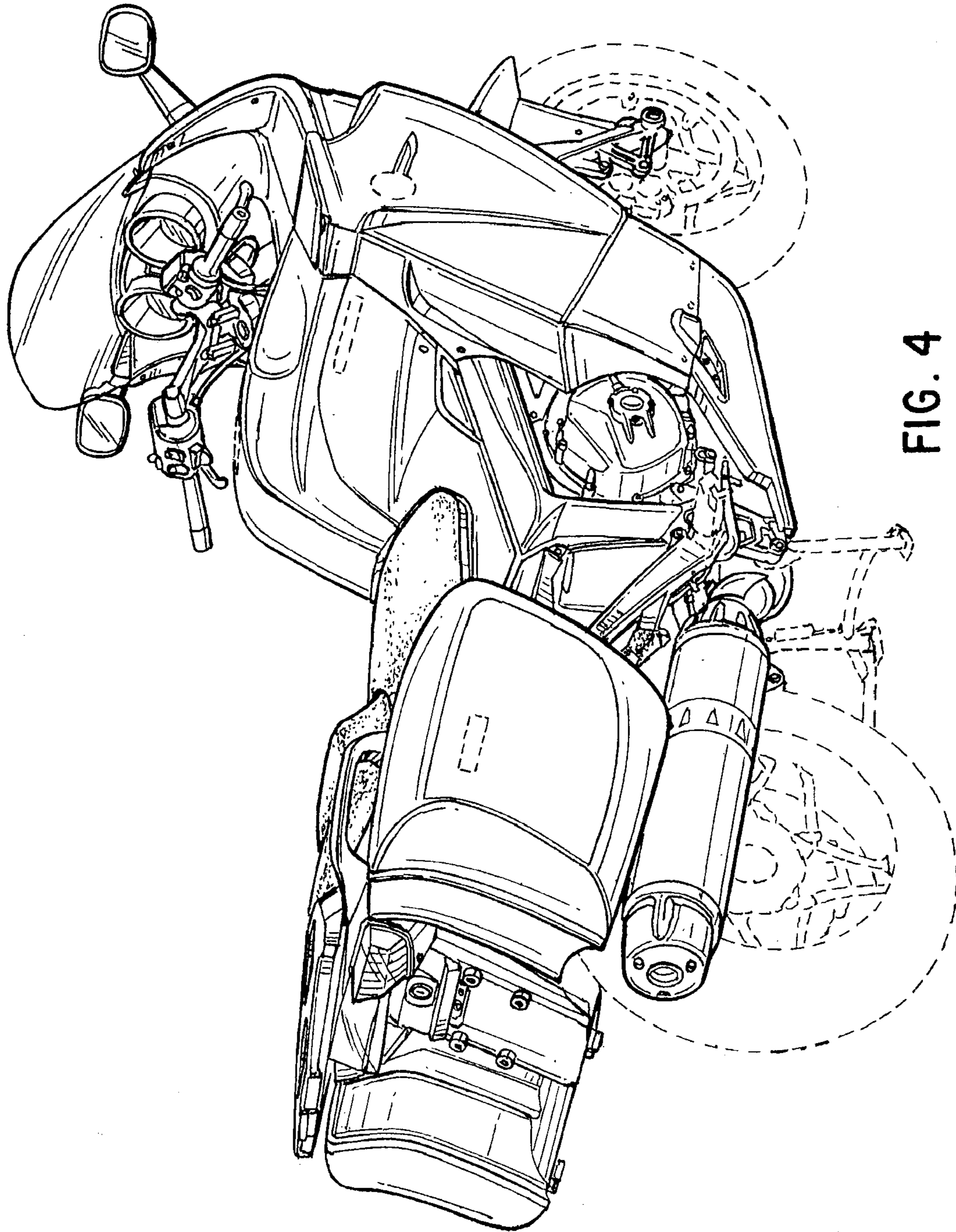


FIG. 4

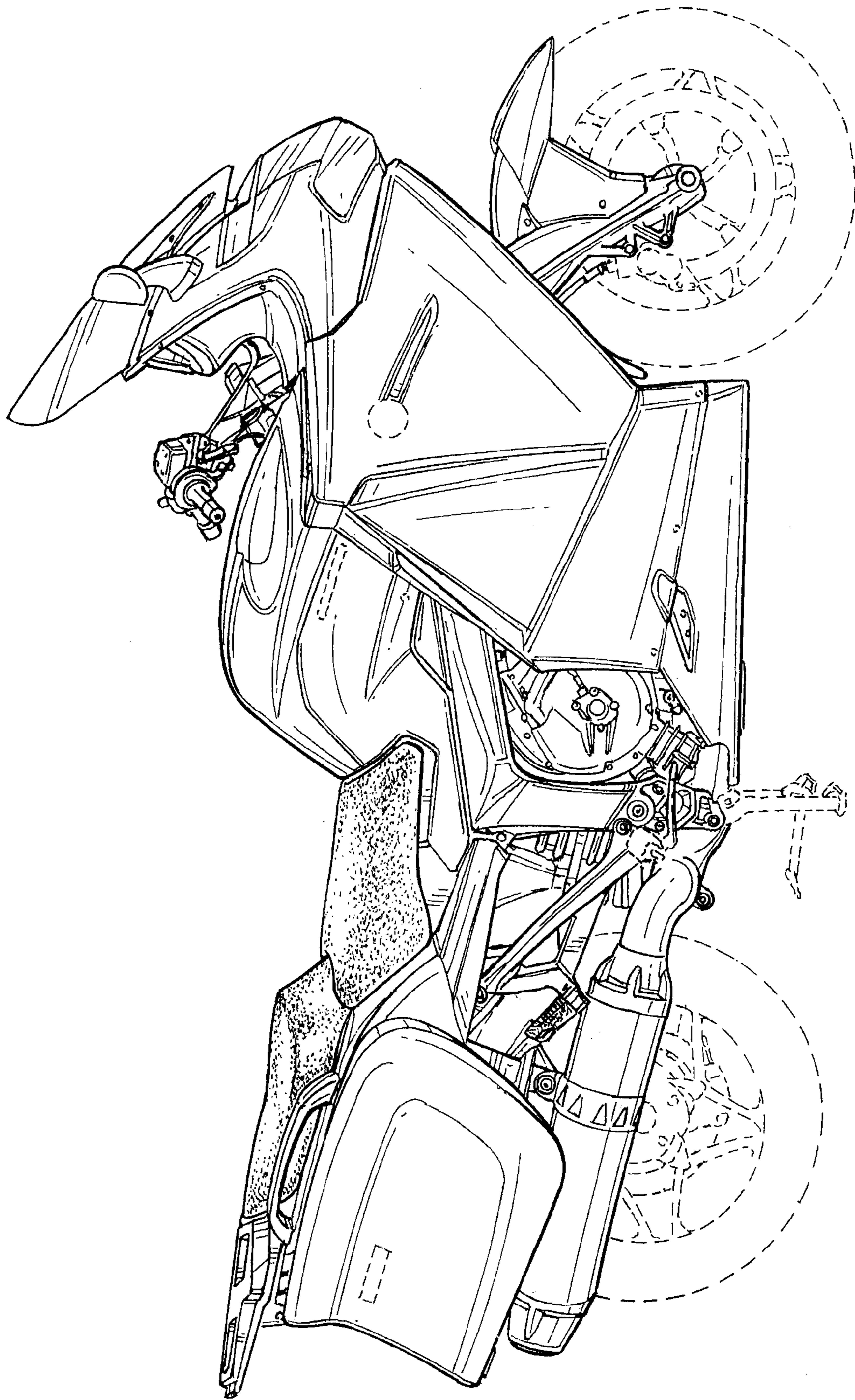


FIG. 5

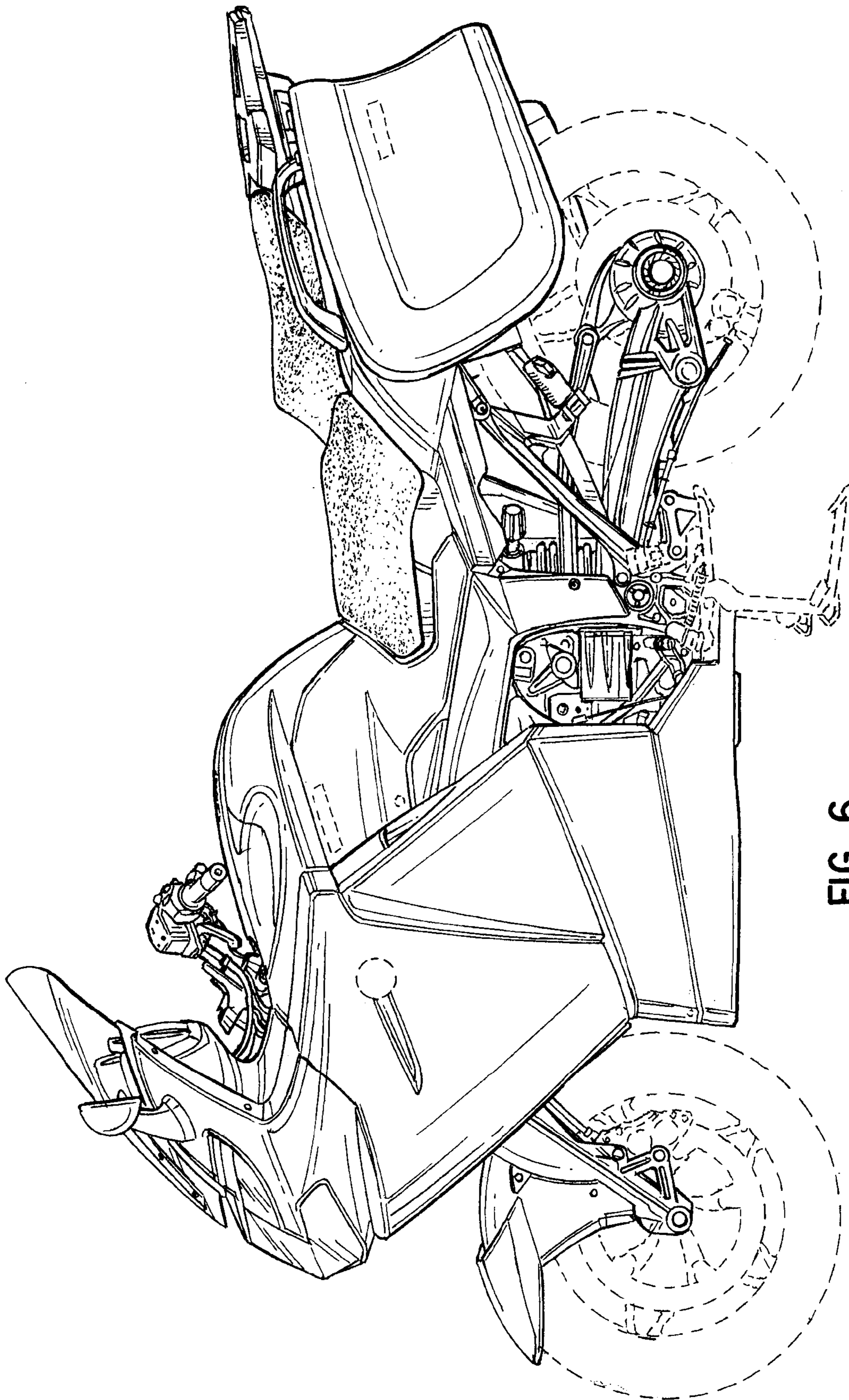


FIG. 6

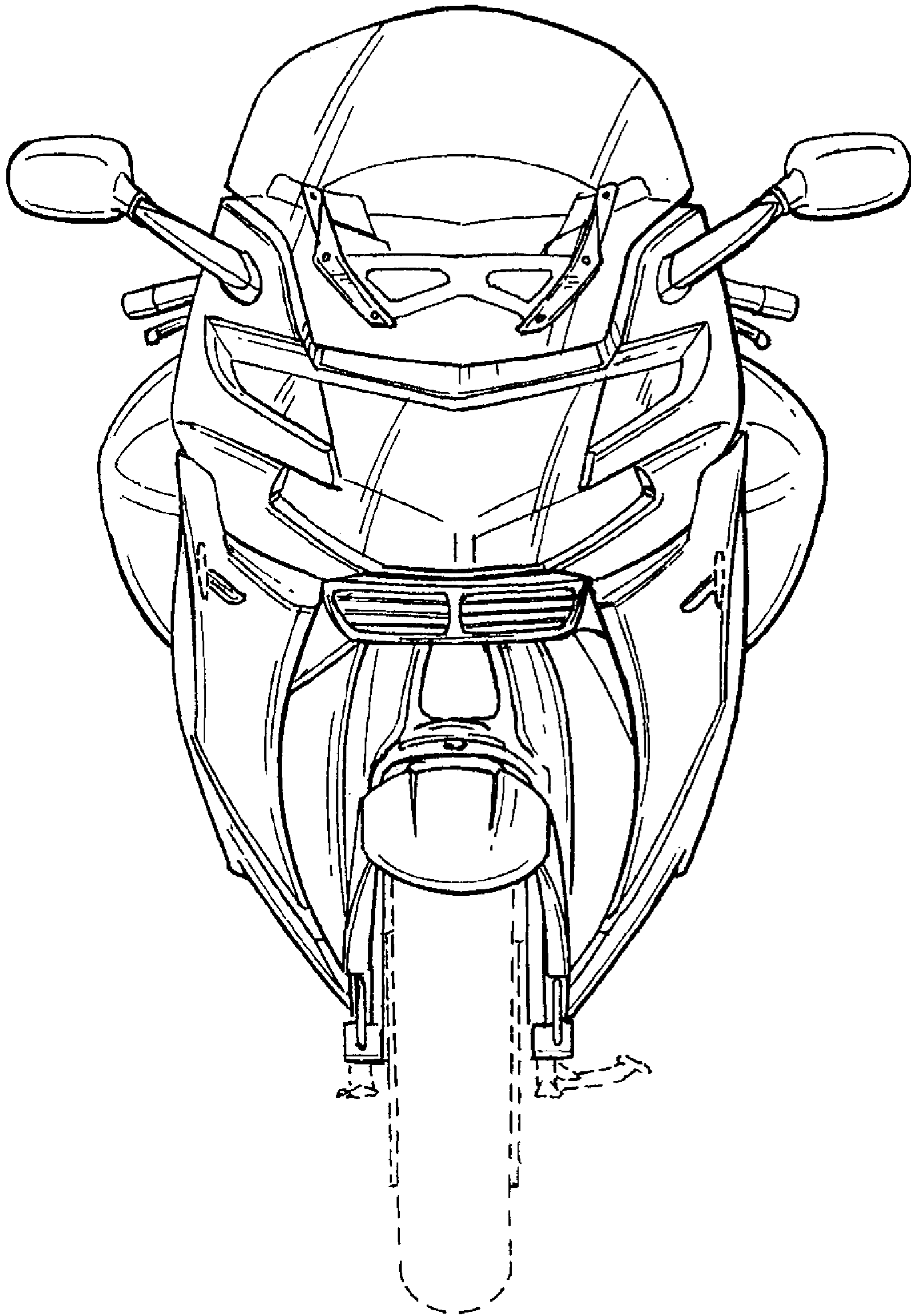


FIG. 7

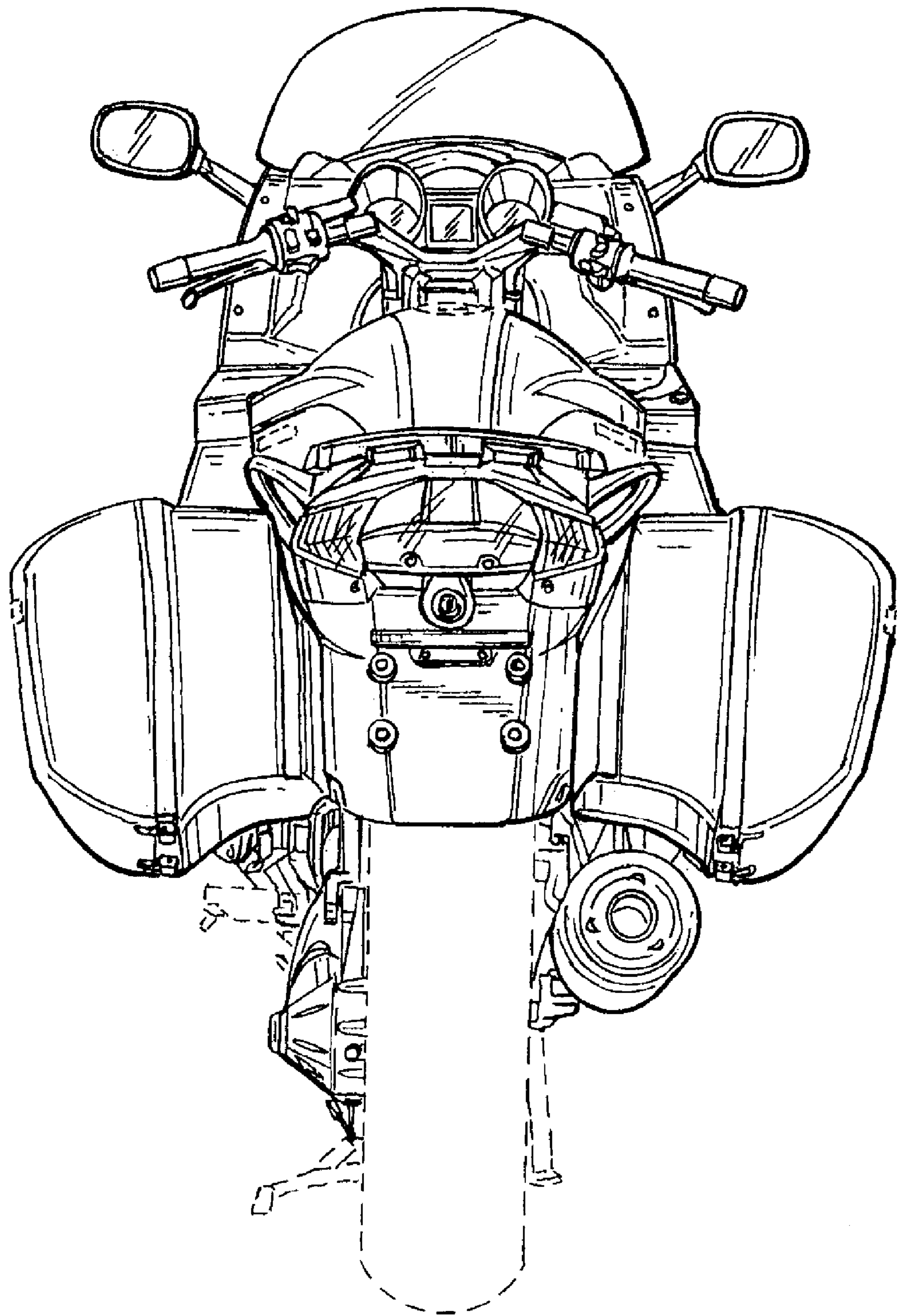


FIG. 8

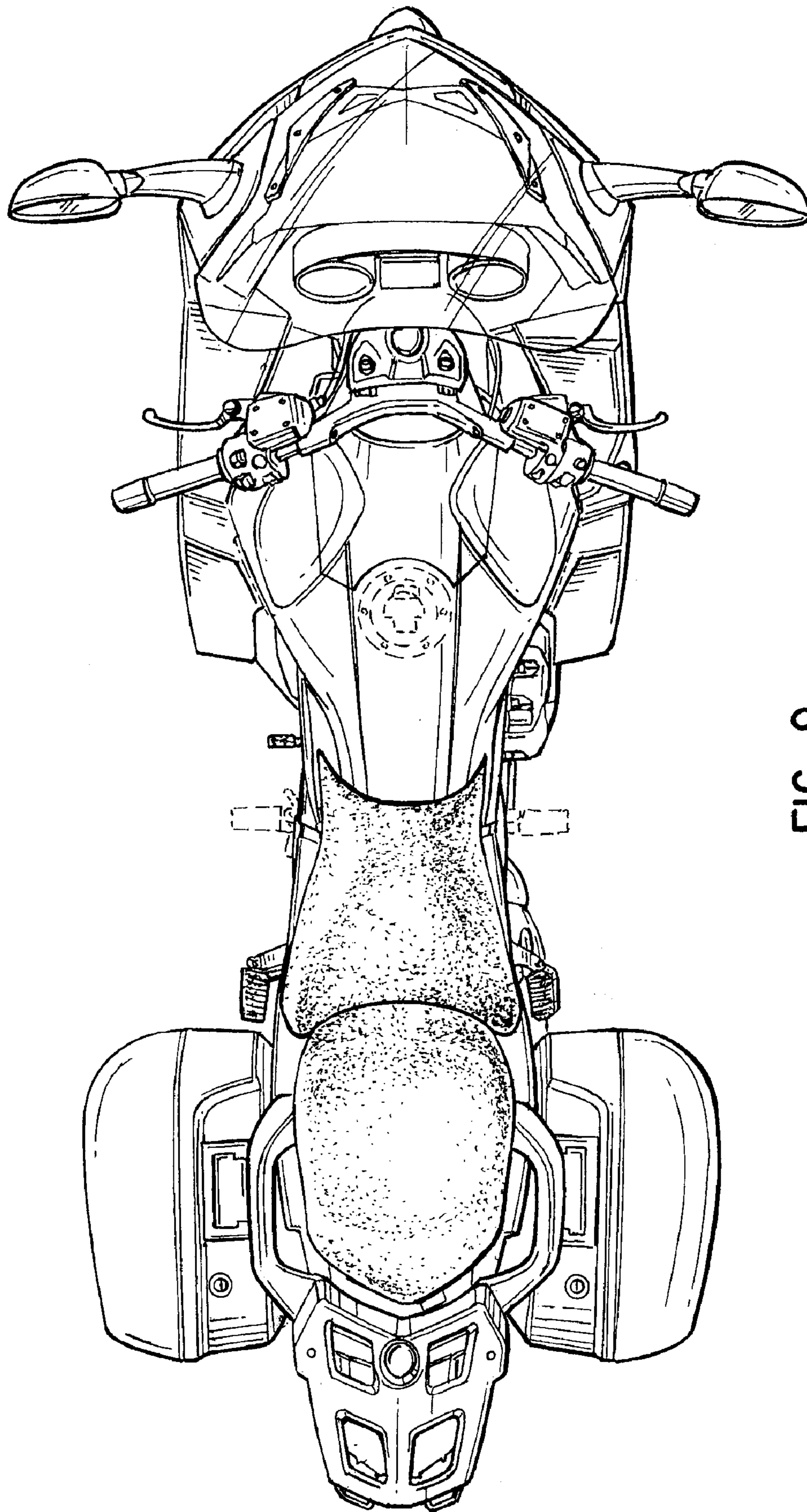


FIG. 9