



US00D530242S

(12) **United States Design Patent**
Prusmack

(10) **Patent No.:** **US D530,242 S**

(45) **Date of Patent:** **** Oct. 17, 2006**

(54) **UTILITY SUPPORT TRAILER**

D392,223 S * 3/1998 Alpiser et al. D12/101
D408,333 S * 4/1999 Prusmack D12/101

(76) Inventor: **A. Jon Prusmack**, 837 Sherry Dr.,
Valley Cottage, NY (US) 10989

* cited by examiner

(**) Term: **14 Years**

Primary Examiner—Melody N. Brown

(74) *Attorney, Agent, or Firm*—Thomas A. Beck

(21) Appl. No.: **29/196,827**

(57) **CLAIM**

(22) Filed: **Jan. 6, 2004**

The ornamental design for a utility support trailer, as shown and described.

(51) **LOC (8) Cl.** **12-10**

(52) **U.S. Cl.** **D12/101**

(58) **Field of Classification Search** D12/101,
D12/102; 280/475, 656, 763.1, 482, 400;
296/181, 190; D34/12, 17-19; D15/27
See application file for complete search history.

DESCRIPTION

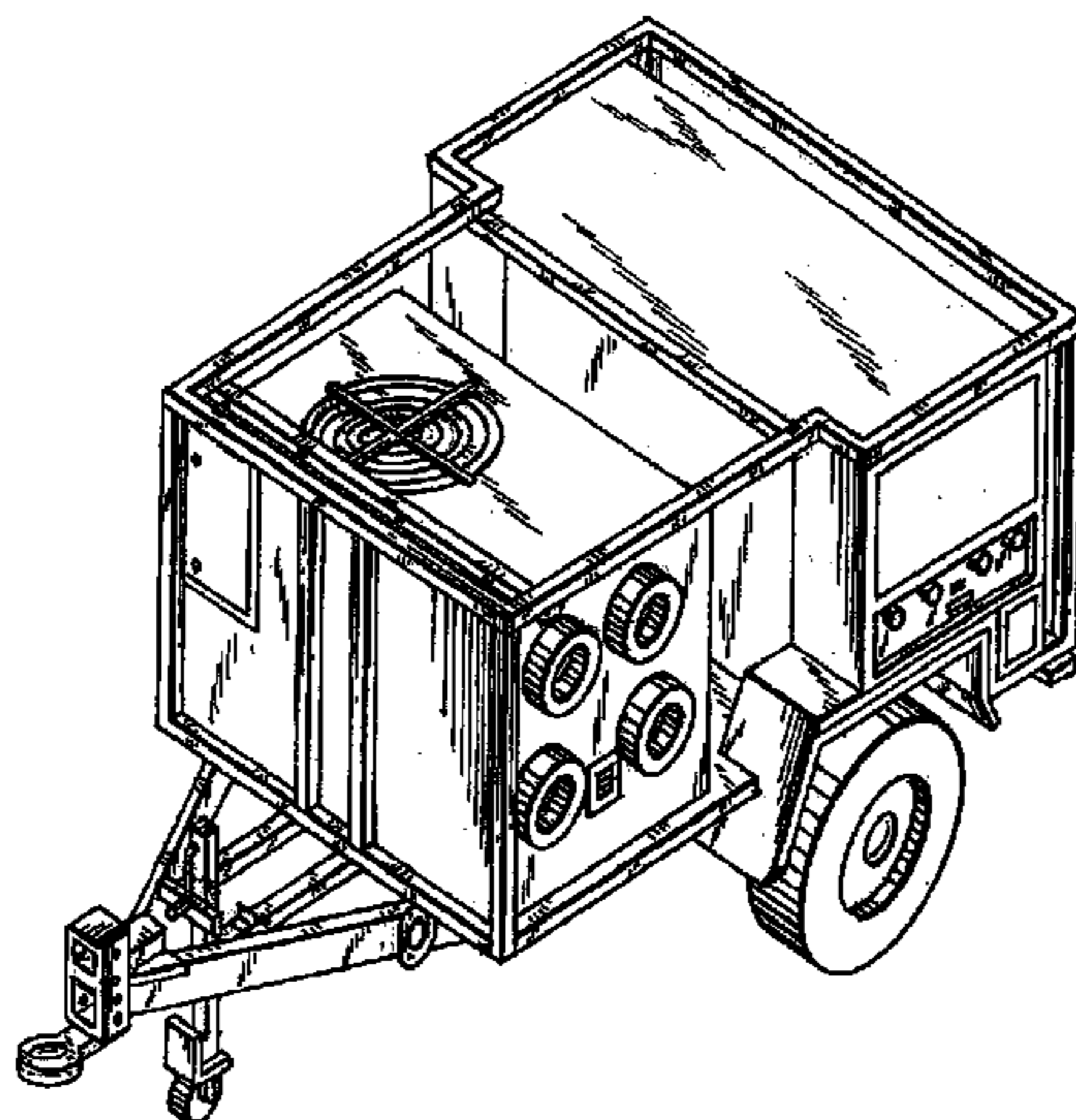
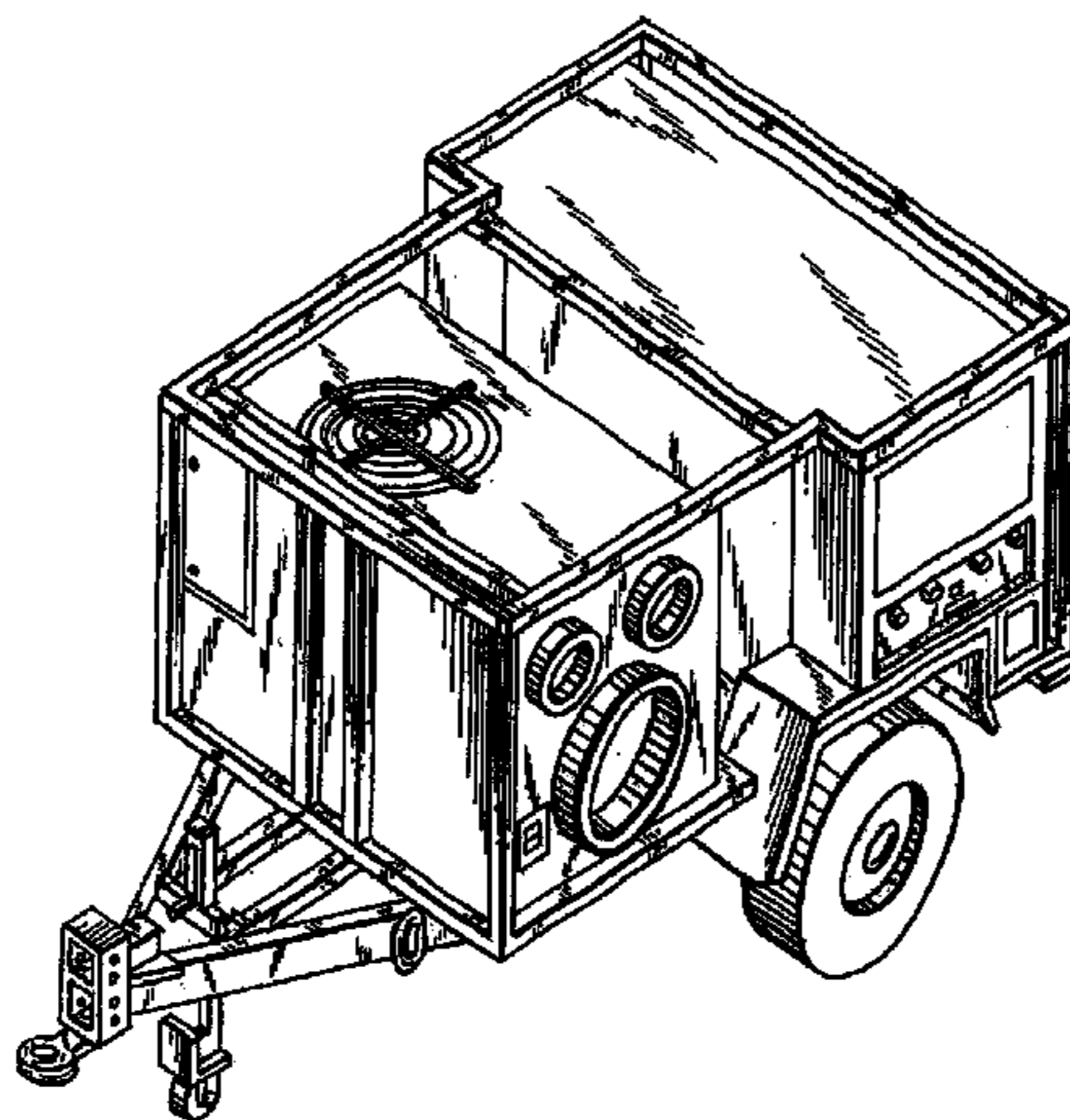
FIG. 1 is a perspective view of a utility support trailer showing my new design;
FIG. 2 is a perspective view of a utility support trailer showing a second embodiment of my new design;
FIG. 3 is a right side elevational view of FIGS. 1 and 2;
FIG. 4 is a left side elevational view of FIGS. 1 and 2;
FIG. 5 is a top plan view of FIGS. 1 and 2; and,
FIG. 6 is a bottom plan view of FIGS. 1 and 2.

(56) **References Cited**

U.S. PATENT DOCUMENTS

5,314,200 A * 5/1994 Phillips 280/400
5,480,180 A * 1/1996 Fuller et al. 280/656
D381,666 S * 7/1997 Del Zotto D15/27

1 Claim, 6 Drawing Sheets



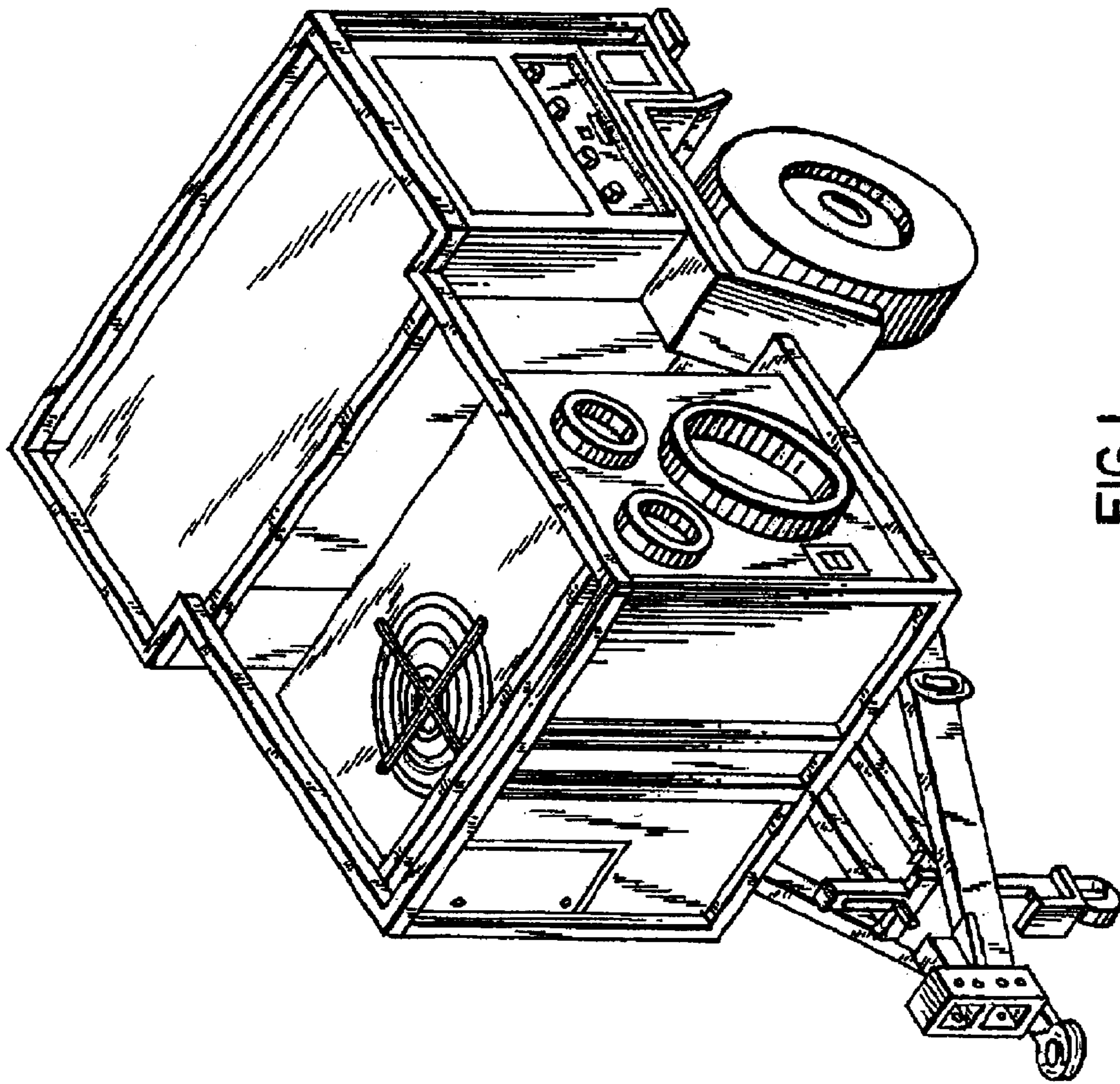


FIG. 1

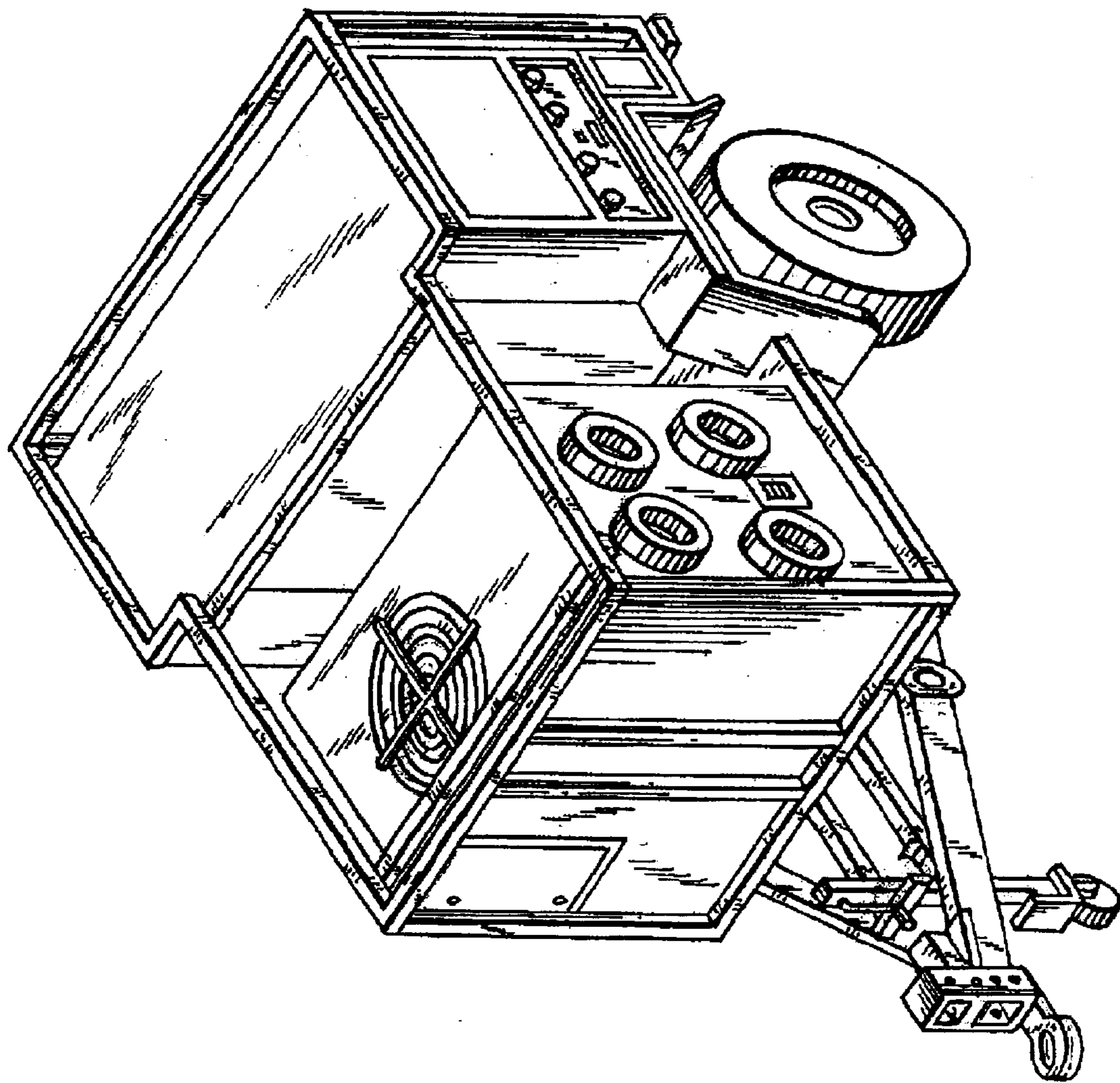


FIG. 2

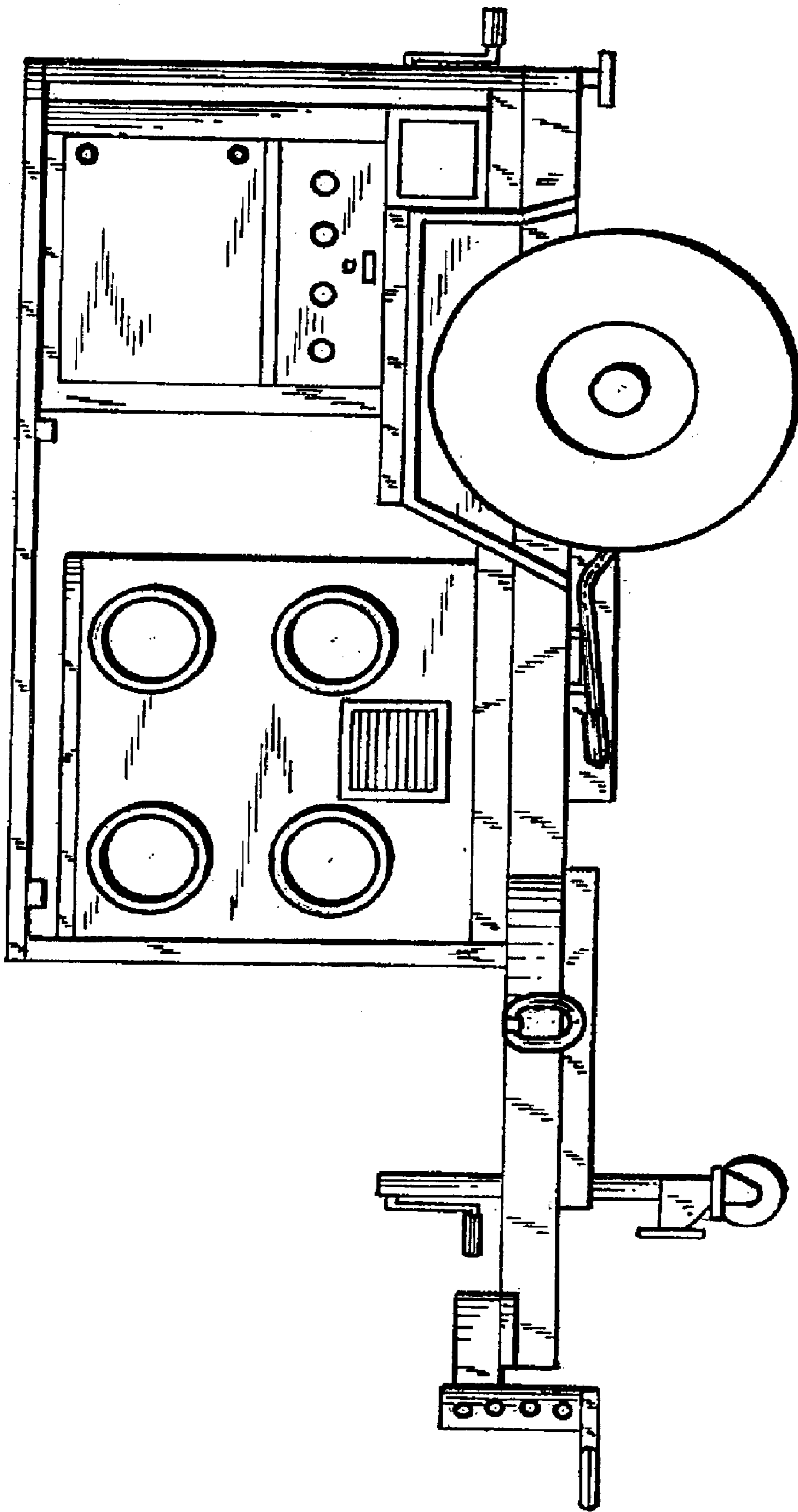


FIG. 3

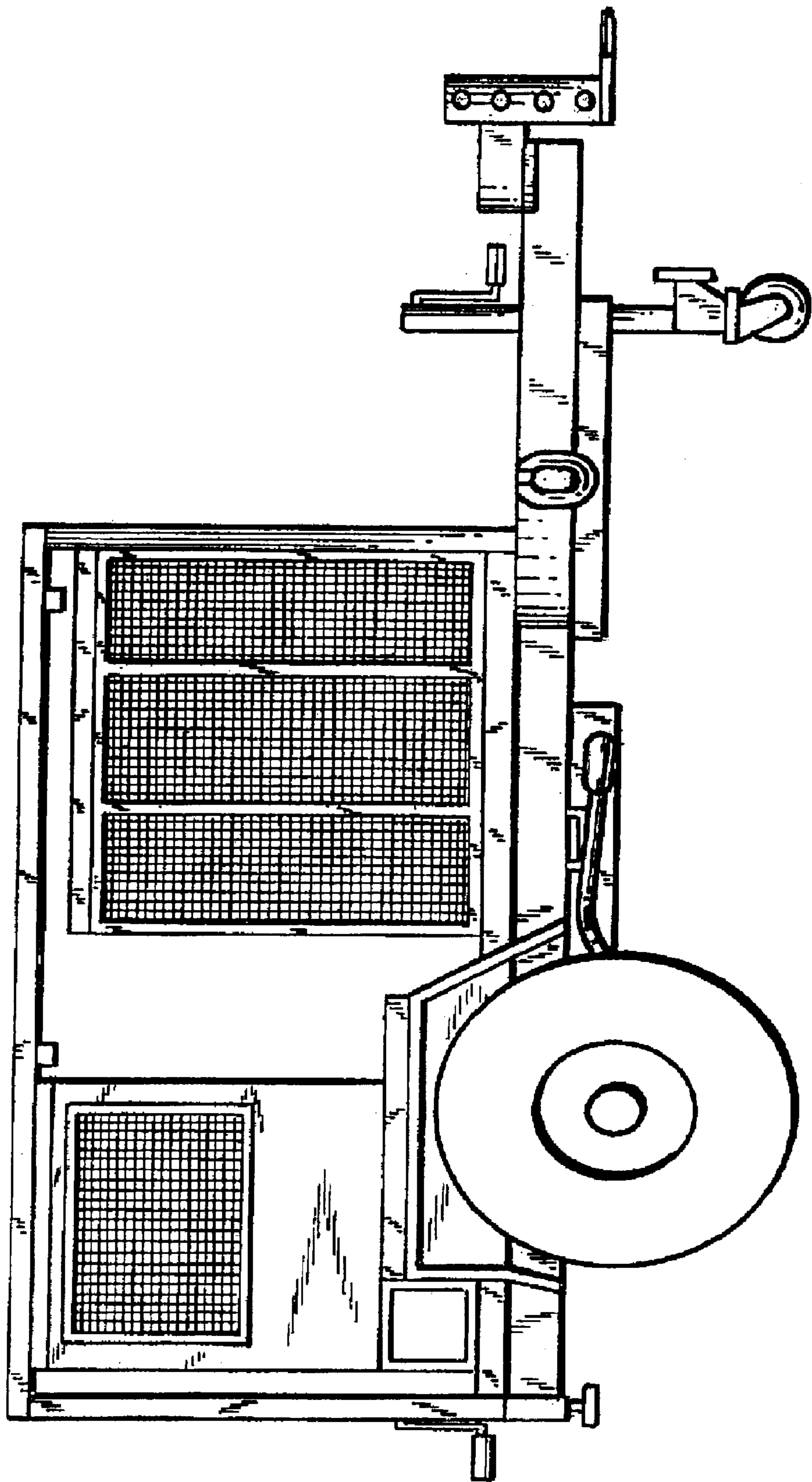


FIG. 4

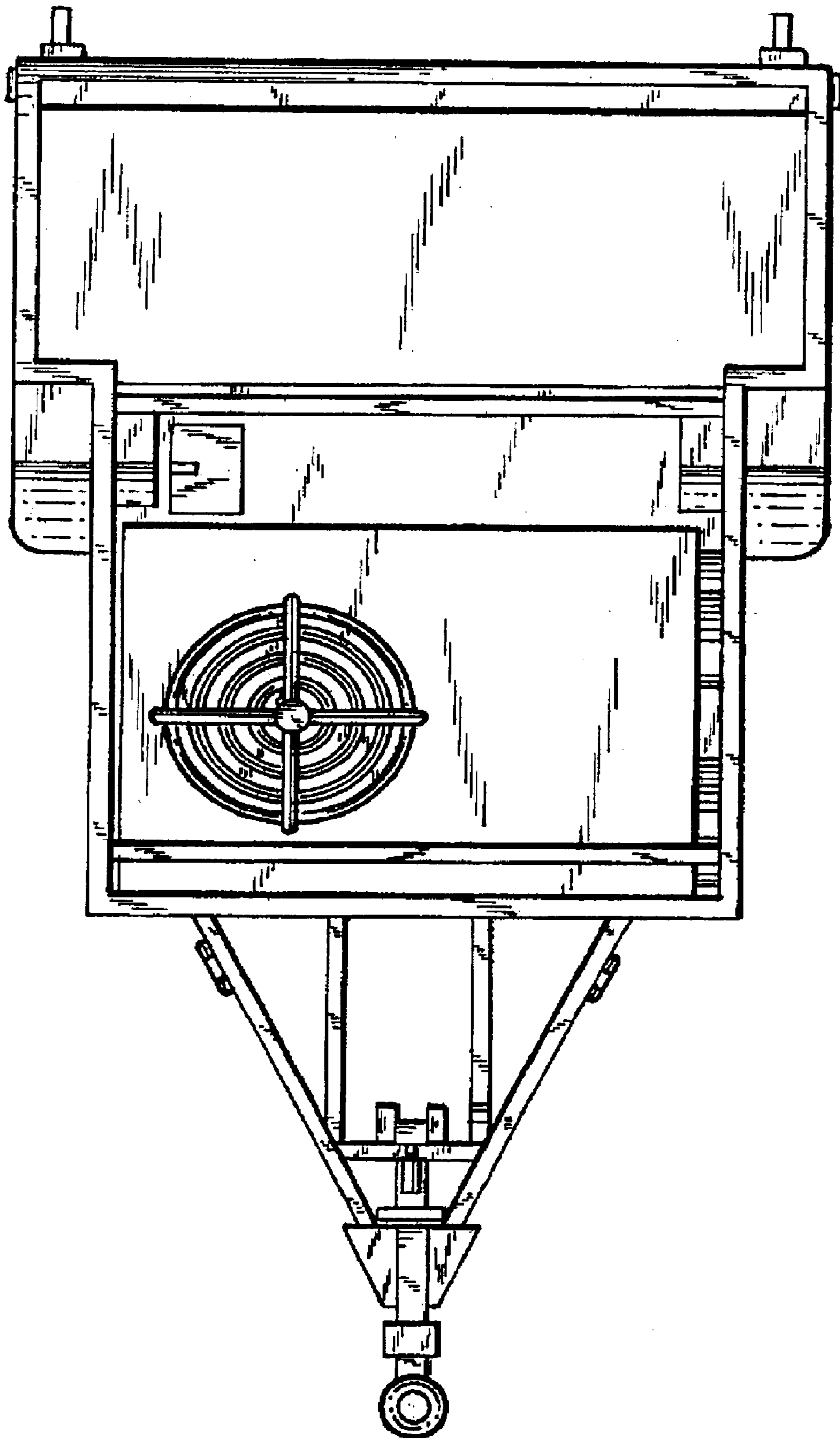


FIG. 5

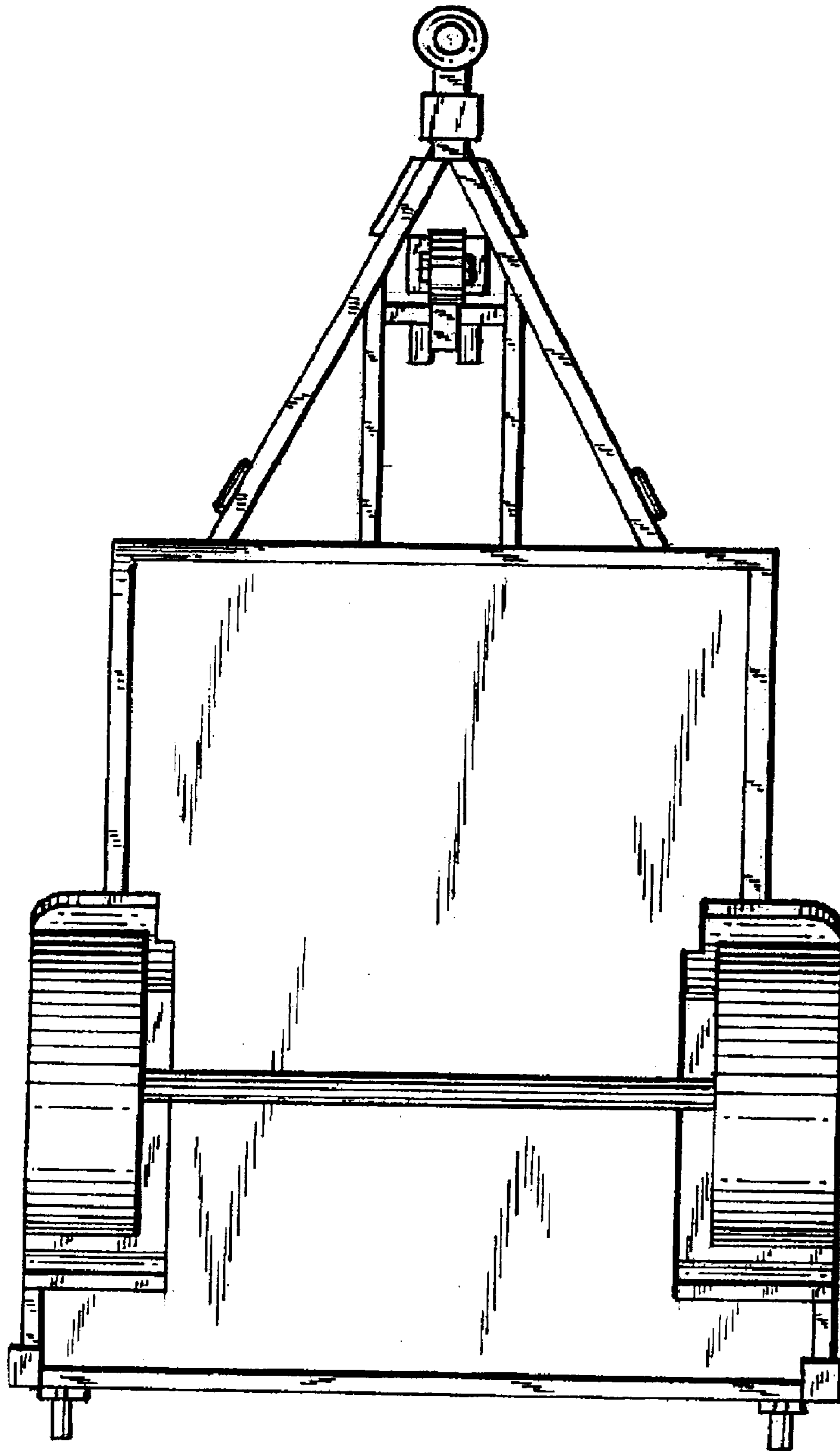


FIG. 6