



US00D530241S

(12) **United States Design Patent**
Sawai et al.

(10) **Patent No.:** **US D530,241 S**
(45) **Date of Patent:** **** Oct. 17, 2006**

- (54) **BODY OF AN AUTOMOBILE**
- (75) Inventors: **Daisuke Sawai**, Wako (JP); **Chiaki Kato**, Wako (JP)
- (73) Assignee: **Honda Motor Co., Ltd.**, Tokyo (JP)
- (**) Term: **14 Years**
- (21) Appl. No.: **29/236,276**
- (22) Filed: **Aug. 15, 2005**
- (30) **Foreign Application Priority Data**
Feb. 24, 2005 (JP) 2005-005061
- (51) **LOC (8) Cl.** **12-08**
- (52) **U.S. Cl.** **D12/91**
- (58) **Field of Classification Search** D12/90-92,
D12/86; D21/424, 433; 296/181.1
See application file for complete search history.

(56) **References Cited**

U.S. PATENT DOCUMENTS

- D469,038 S * 1/2003 Mattin et al. D12/91
- D476,269 S * 6/2003 Suzuki et al. D12/91
- D479,491 S * 9/2003 Kato et al. D12/91

- D481,332 S * 10/2003 Miyazaki et al. D12/91
- D494,103 S * 8/2004 Nakamura et al. D12/92
- D504,088 S * 4/2005 Minowa et al. D12/91
- D513,480 S * 1/2006 Minowa et al. D12/91
- D514,024 S * 1/2006 Shimoguchi et al. D12/91

* cited by examiner

Primary Examiner—Melody N. Brown

(74) *Attorney, Agent, or Firm*—Westerman, Hattori, Daniels & Adrian, LLP

(57) **CLAIM**

The ornamental design for, a body of an automobile, as shown and described.

DESCRIPTION

FIG. 1 is a front elevation view of a body of an automobile, showing our new design;
 FIG. 2 is a top plan view thereof;
 FIG. 3 is a right side elevation view thereof;
 FIG. 4 is a left side elevation view thereof;
 FIG. 5 is a perspective view thereof; and,
 FIG. 6 is another perspective view thereof.
 The broken lines in the drawings are illustrative purposes only and form no part of the claimed design.

1 Claim, 6 Drawing Sheets

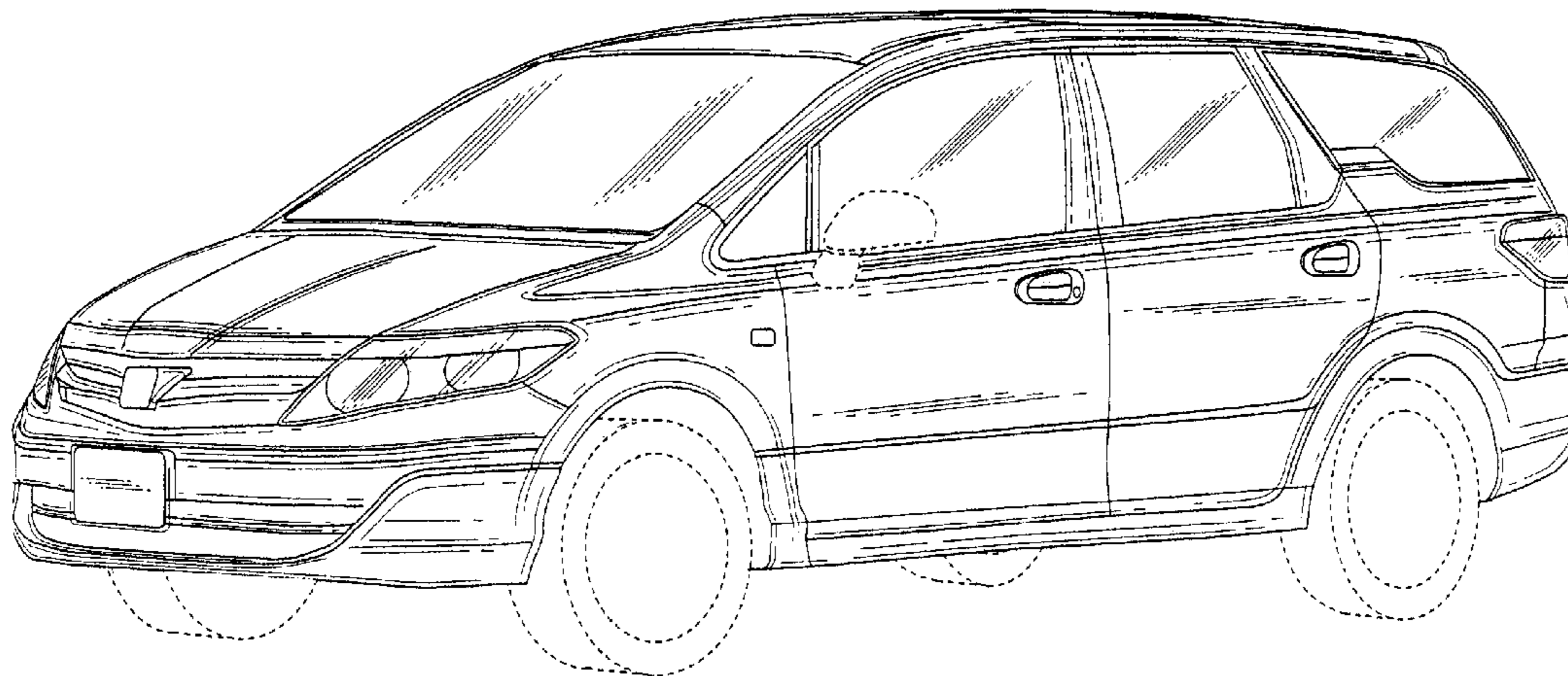


Fig. 1

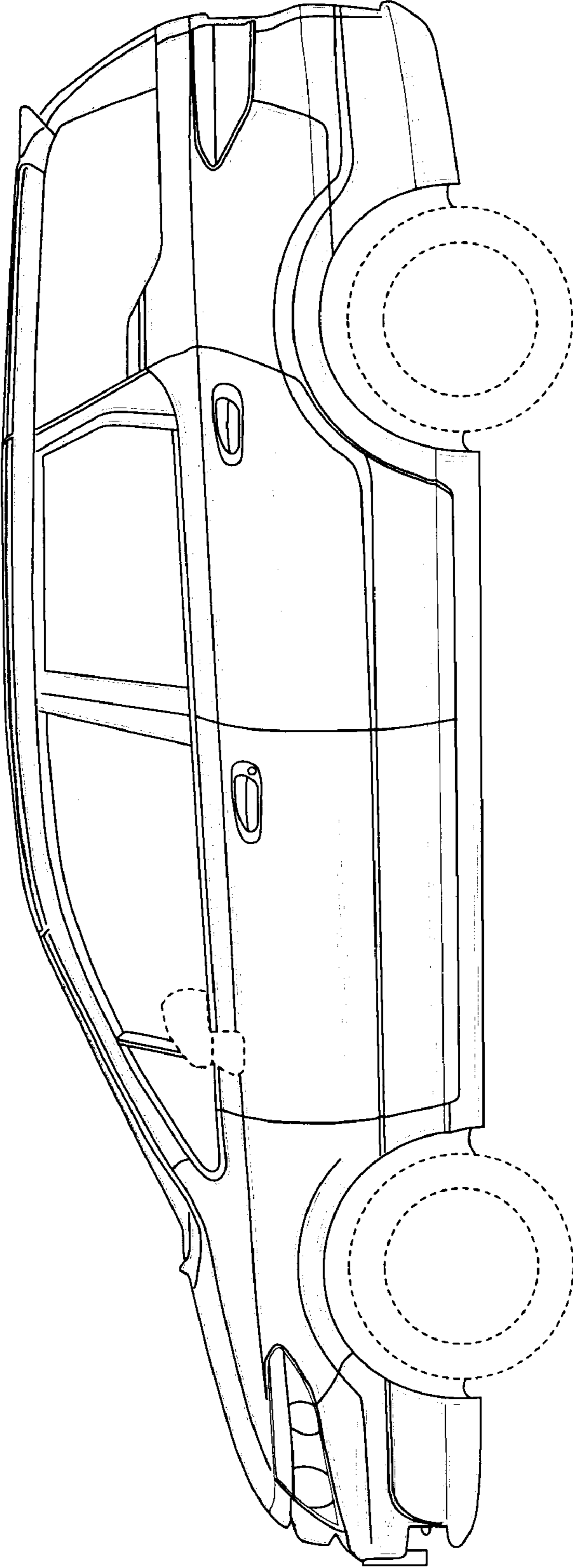


Fig. 2

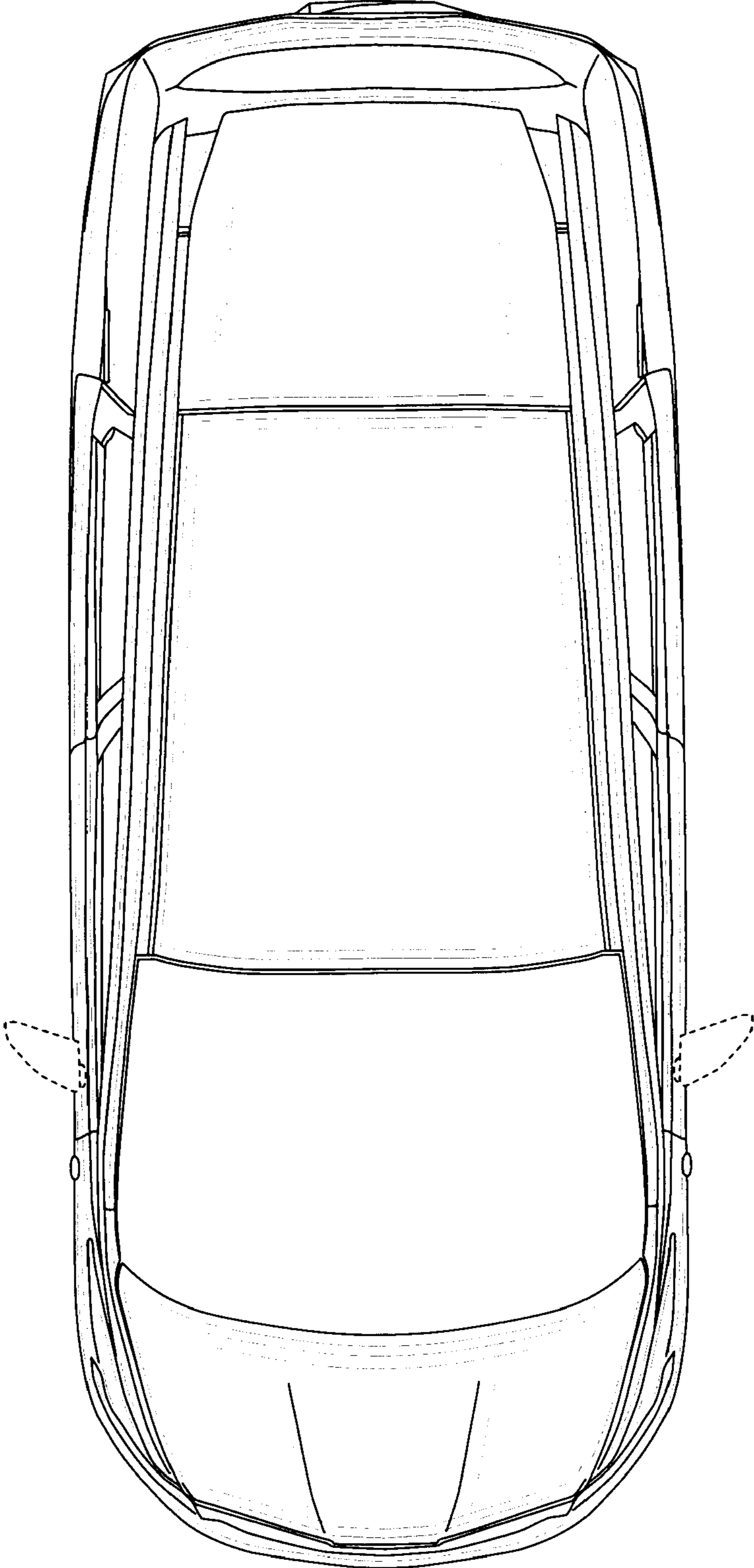


Fig. 3

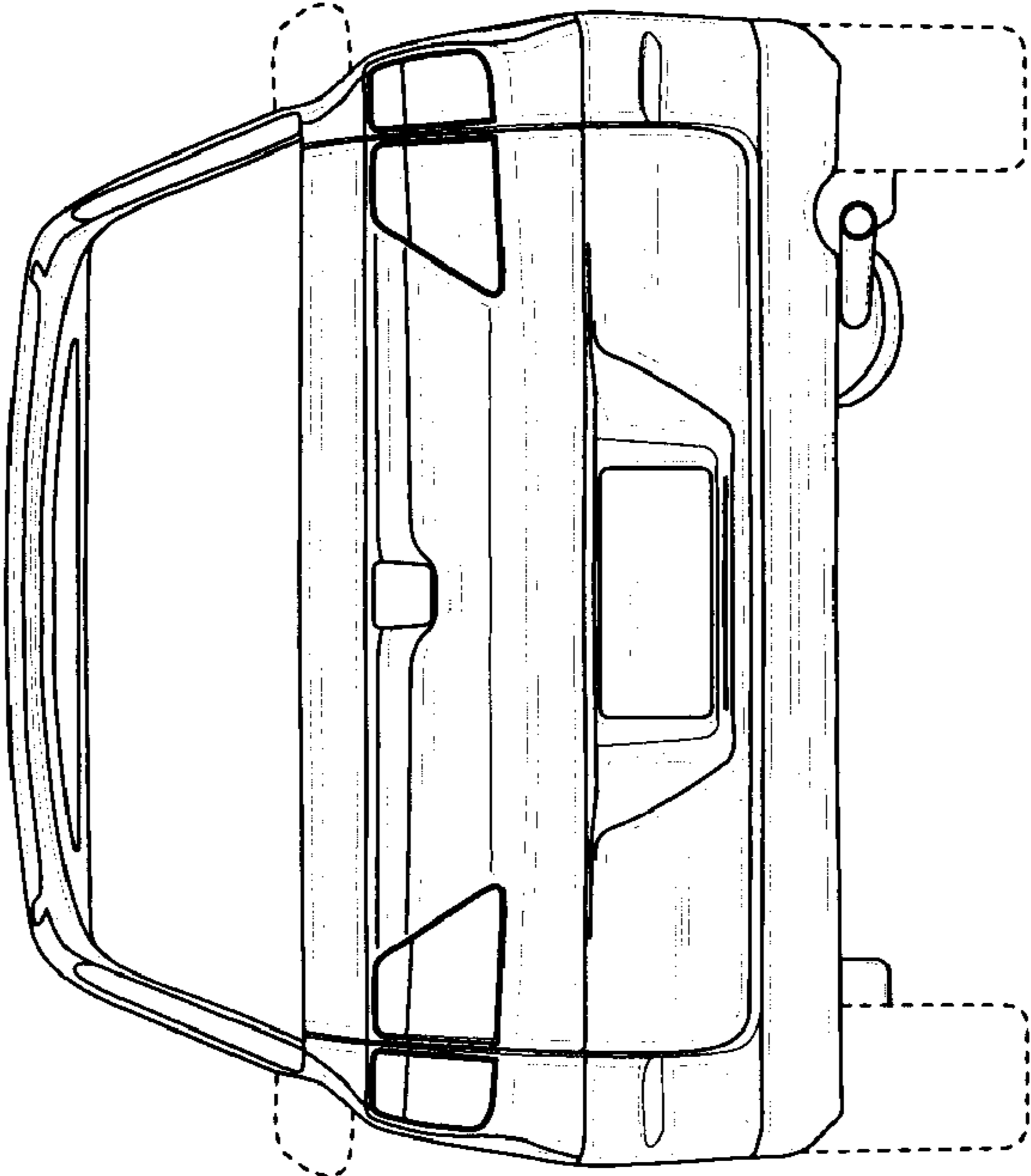


Fig. 4

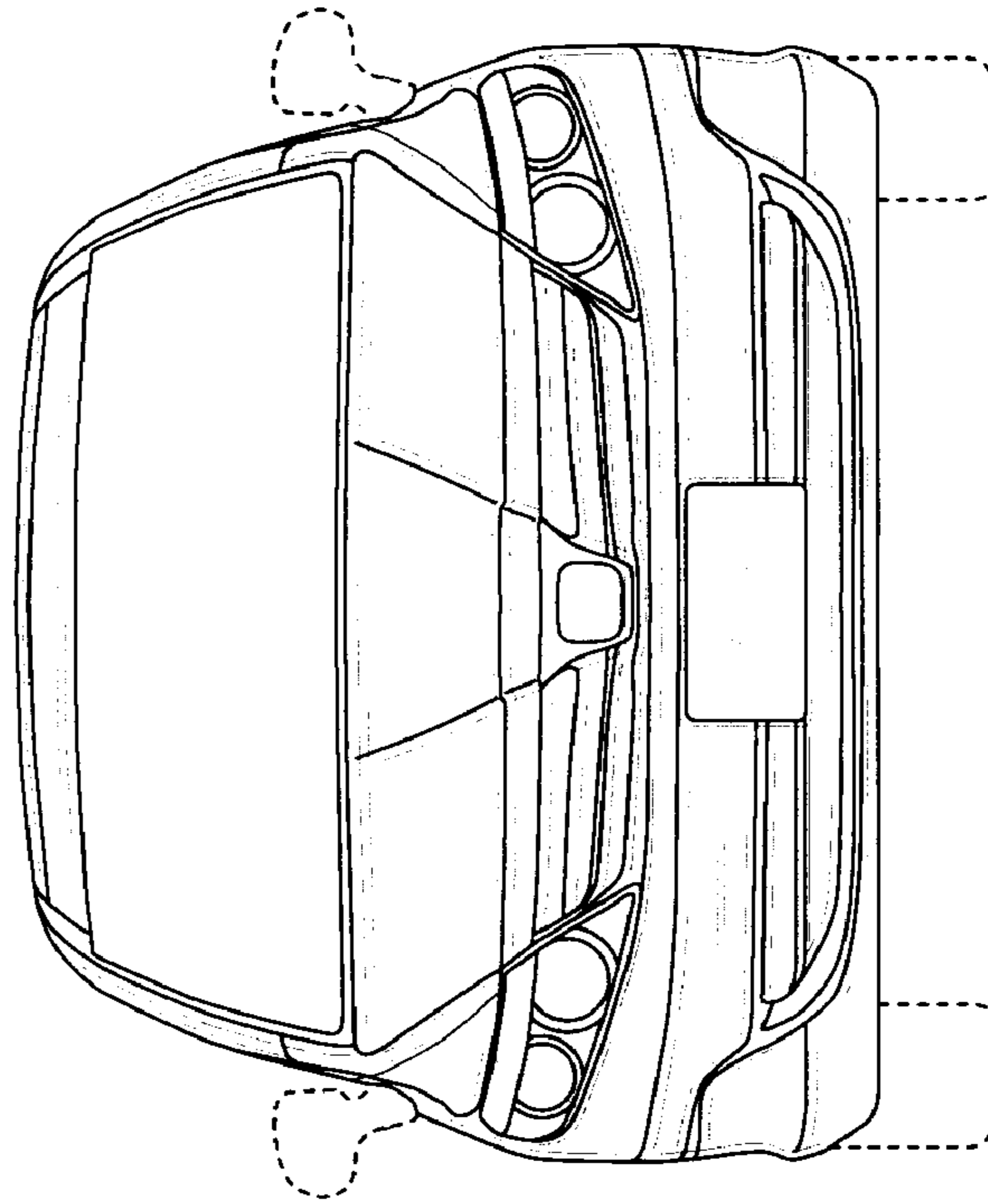


Fig. 5

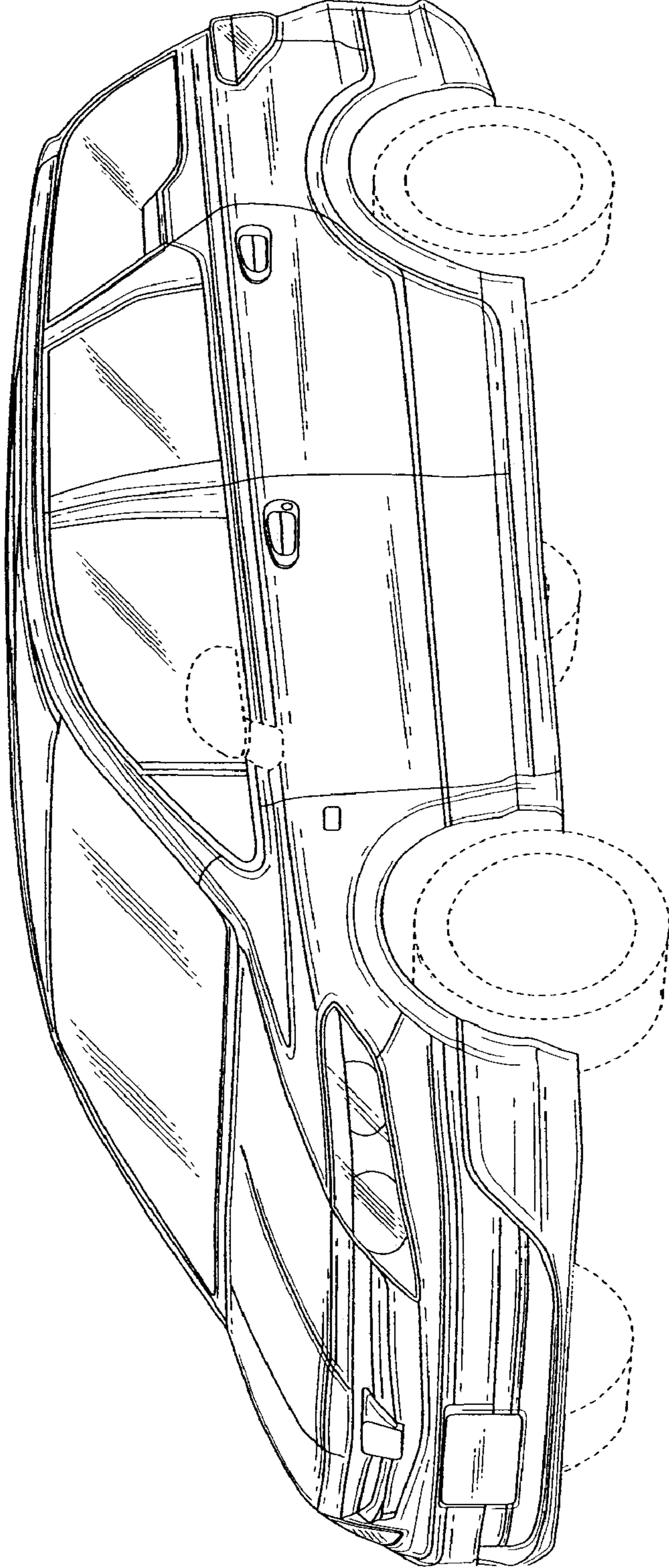


Fig.6

