

US00D530240S

(12) **United States Design Patent**
Kelsey

(10) **Patent No.:** **US D530,240 S**

(45) **Date of Patent:** **** Oct. 17, 2006**

(54) **BUCKLE**

(75) Inventor: **Jonathan Kelsey**, London (GB)

(73) Assignee: **J. Choo (Jersey) Limited**, Jersey (GB)

(**) Term: **14 Years**

(21) Appl. No.: **29/224,552**

(22) Filed: **Mar. 2, 2005**

(30) **Foreign Application Priority Data**

Sep. 28, 2004 (EM) 000235361-0045

(51) **LOC (8) Cl.** **02-07**

(52) **U.S. Cl.** **D11/200; D2/976; D2/978**

(58) **Field of Classification Search** D2/916-922,
D2/925-941, 969, 971, 976, 978; 2/245;
36/11.5, 83, 58.5, 136; D11/40, 41, 75, 76,
D11/200; D28/40-42

See application file for complete search history.

(56) **References Cited**

U.S. PATENT DOCUMENTS

D63,439 S	*	12/1923	Slote	D11/40
D85,744 S	*	12/1931	Gibbons	D2/976
D101,152 S	*	9/1936	Weinstat	D2/933
D110,250 S	*	6/1938	Levin	D2/940
D115,720 S	*	7/1939	Miller et al.	D11/200
D512,209 S	*	12/2005	Choi	D2/971

OTHER PUBLICATIONS

Moroccan Jewelry, printed from www.moroccancaravan.com/images/products/508.jpg, on Jun. 10, 2005.

U.S. Appl. No. 29/226,426, filed Mar. 28, 2005.

* cited by examiner

Primary Examiner—Dominic Simone

(74) *Attorney, Agent, or Firm*—Fross Zelnick Lehrman & Zissu, P.C.; Lawrence E. Apolzon, Esq.

(57) **CLAIM**

The ornamental design for a buckle, as shown and described.

DESCRIPTION

FIG. 1 is a front perspective view of a buckle showing my buckle design;

FIG. 2 is a side view of the buckle shown in FIG. 1, the other side being a mirror image thereof;

FIG. 3 is a front view of the buckle shown in FIG. 1;

FIG. 4 is a rear view of the buckle shown in FIG. 1;

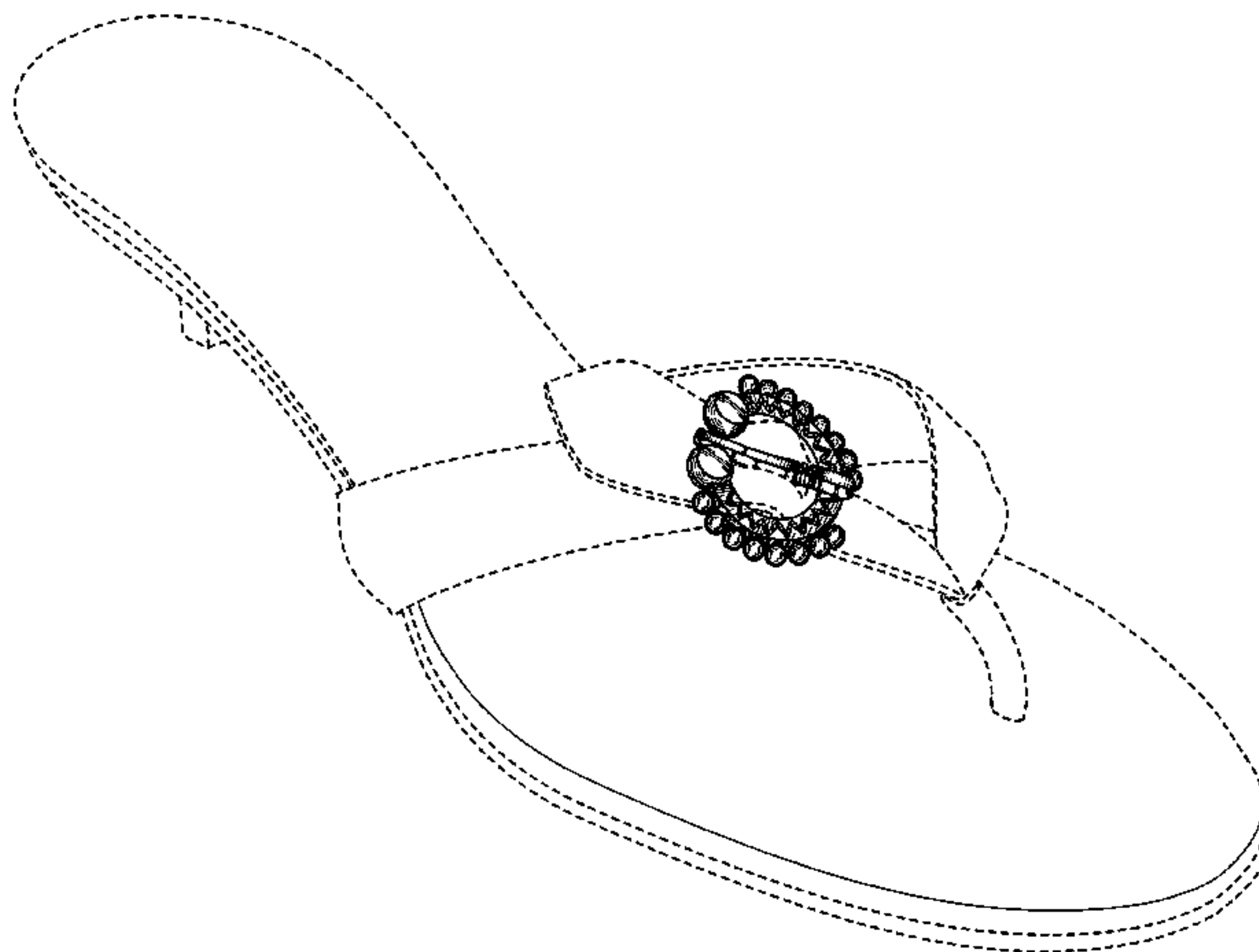
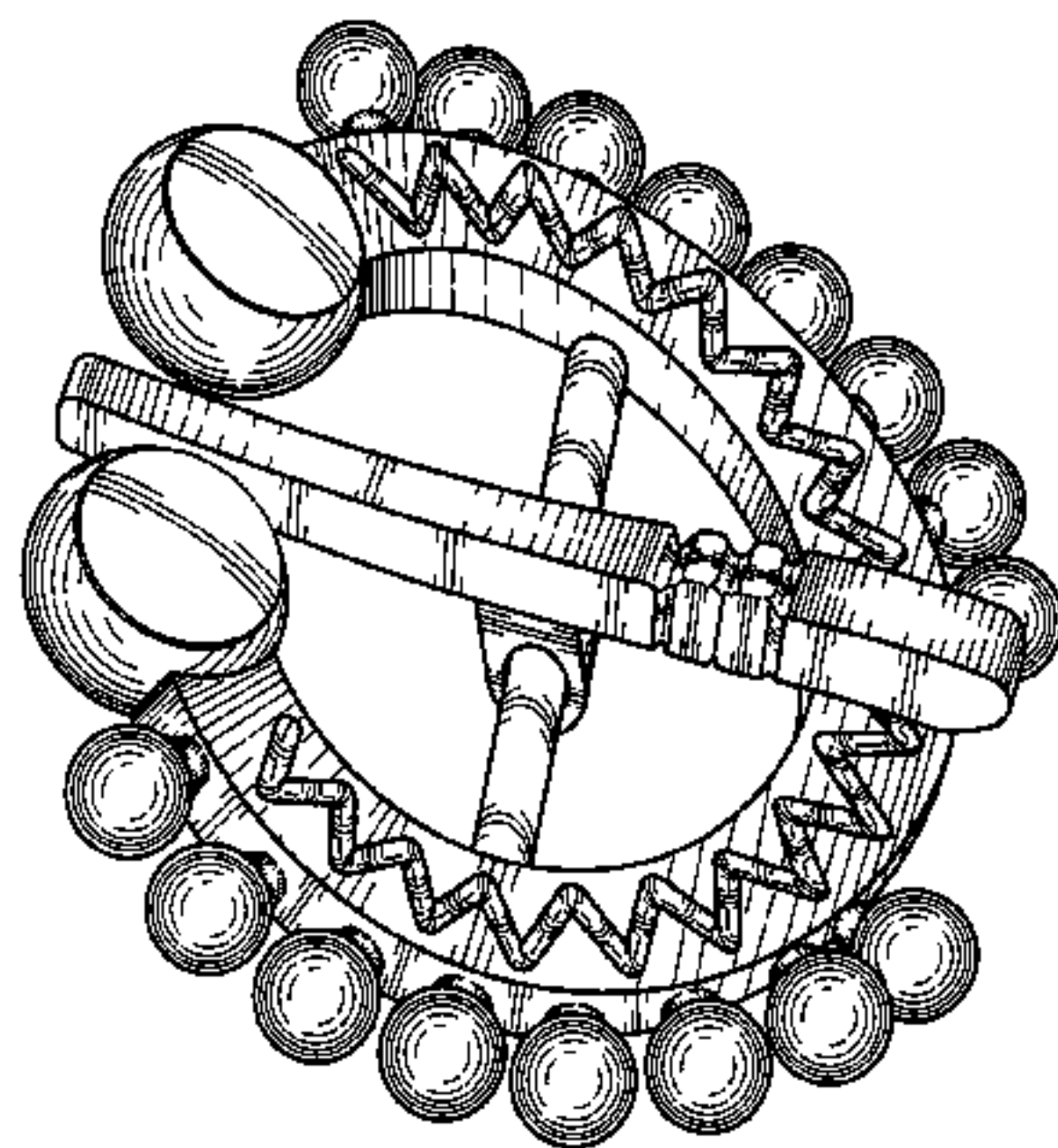
FIG. 5 is a top view of the buckle shown in FIG. 1;

FIG. 6 is a bottom view of the buckle shown in FIG. 1; and,

FIG. 7 is a front perspective view of the buckle shown in FIG. 1 as applied to a piece of footwear.

The broken line showing of the shoe is for illustrative purposes only and forms no part of the claimed design.

1 Claim, 5 Drawing Sheets



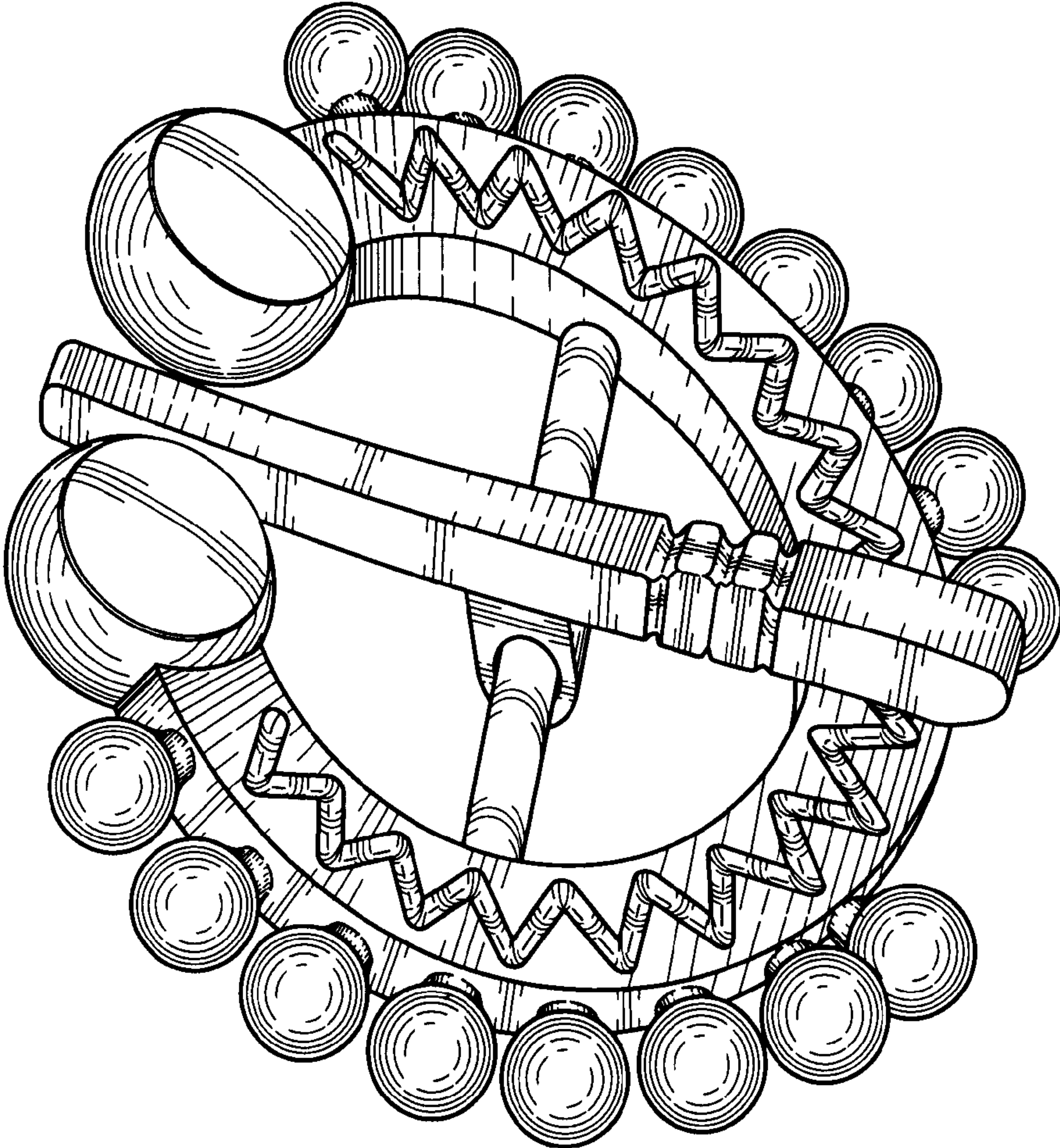


FIG. 1

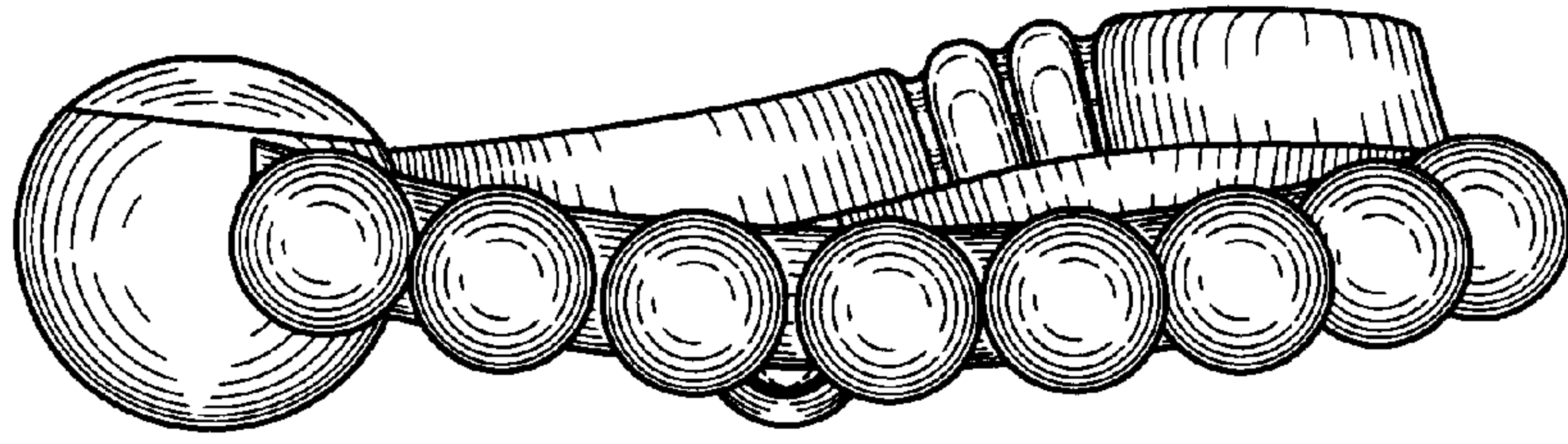


FIG. 2

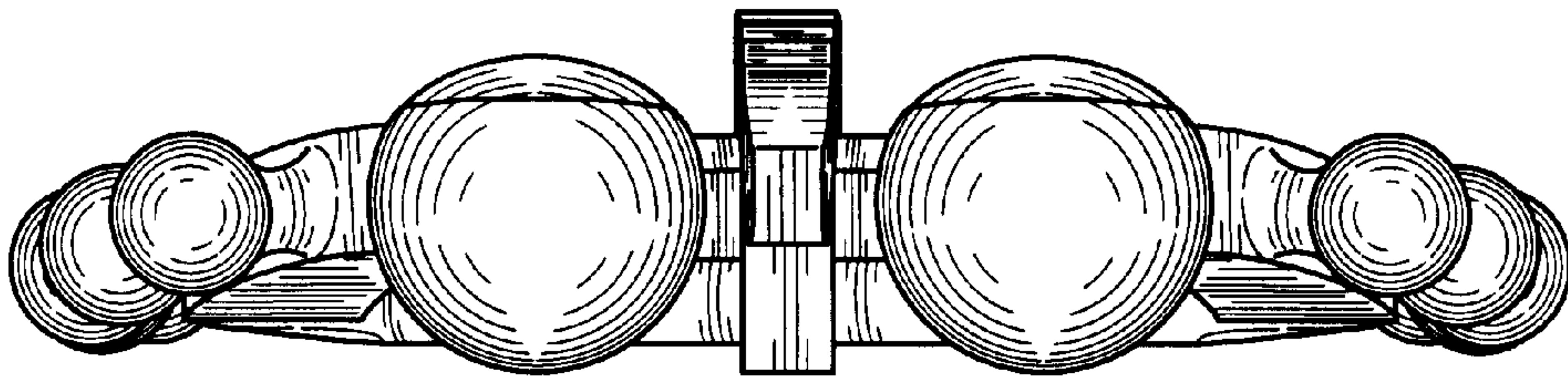


FIG. 3

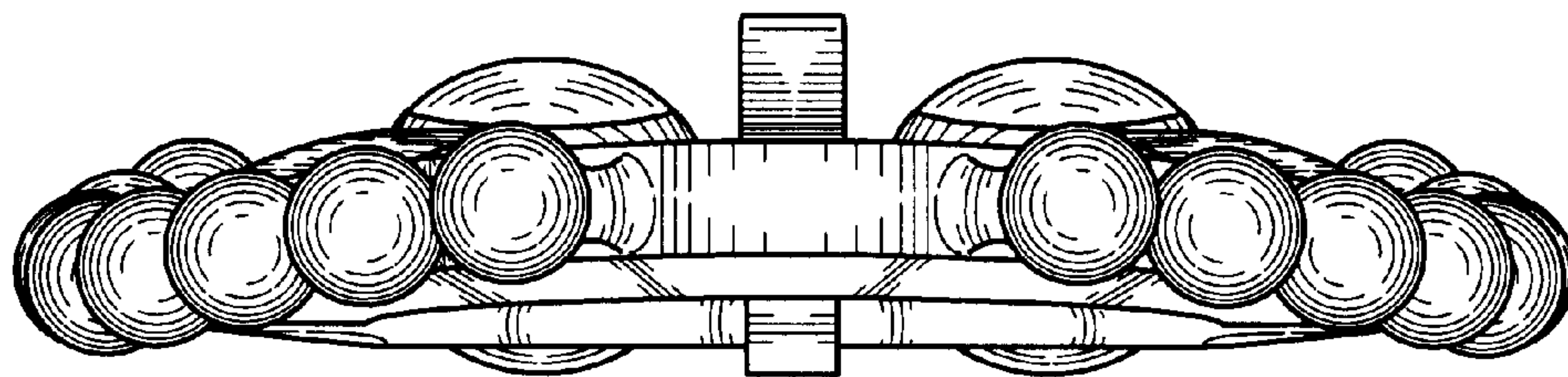


FIG. 4

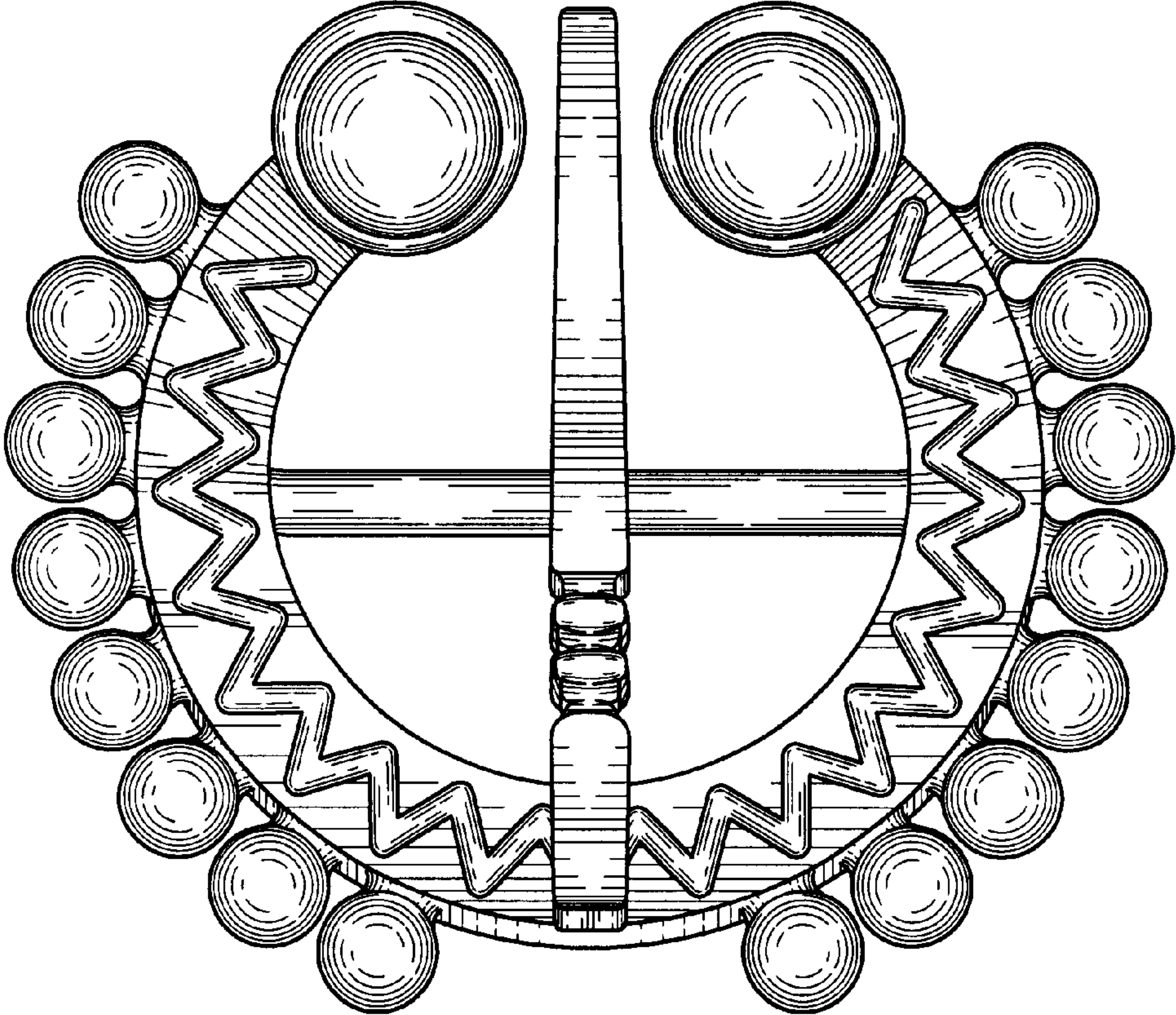


FIG. 5

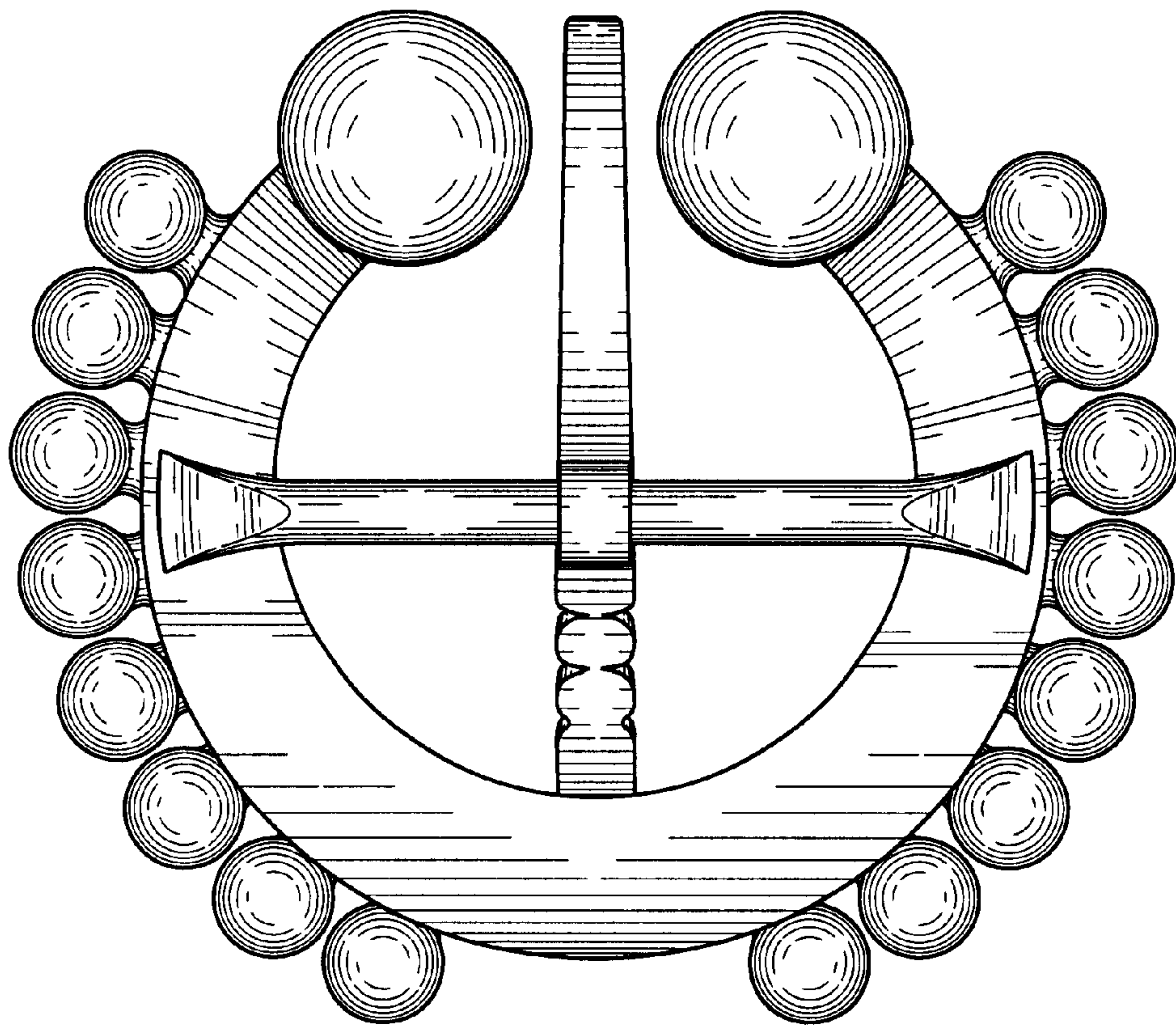


FIG. 6

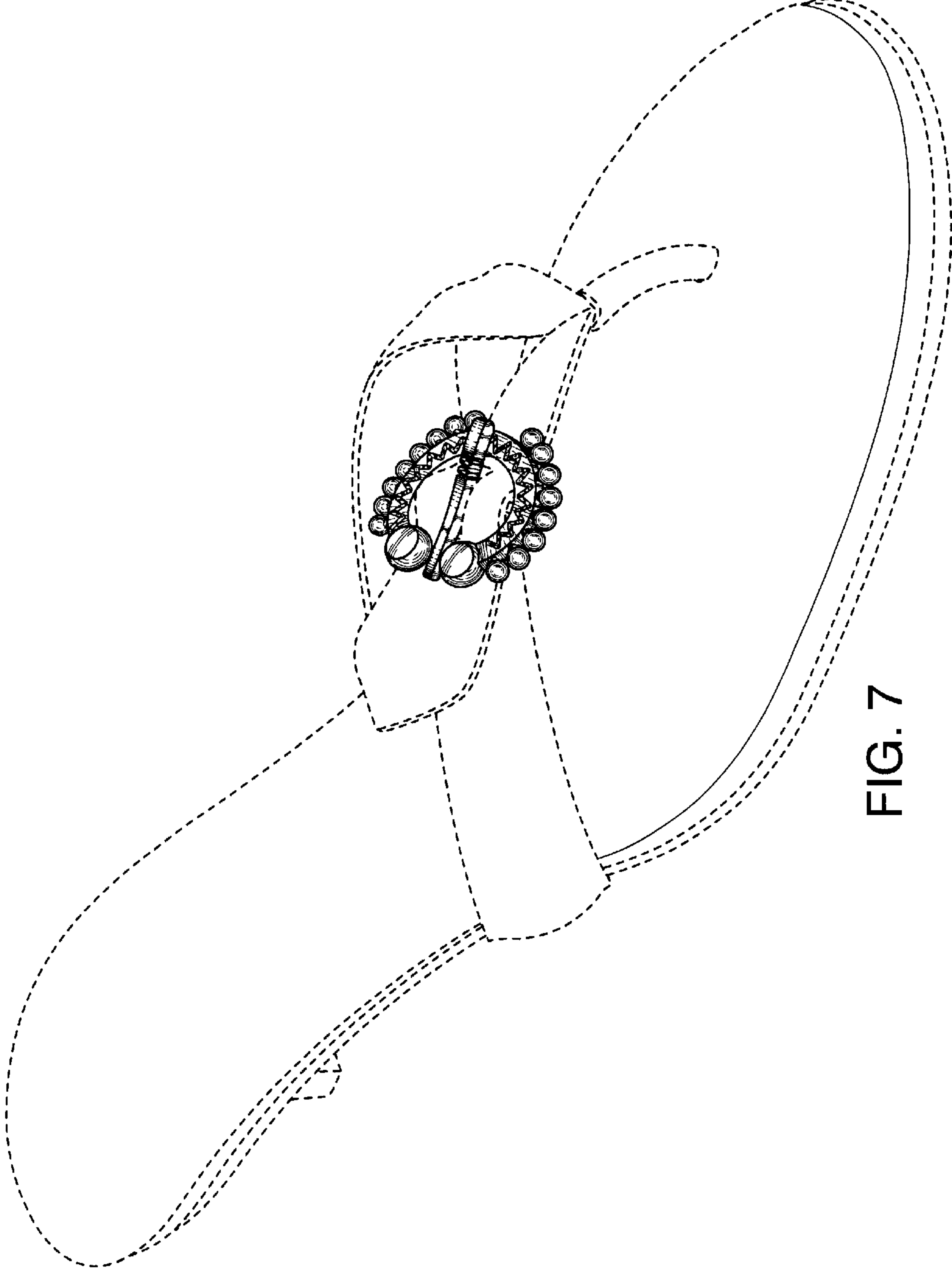


FIG. 7