



US00D530234S

(12) **United States Design Patent**
Shimizu et al.

(10) **Patent No.:** **US D530,234 S**

(45) **Date of Patent:** **** Oct. 17, 2006**

(54) **PRISM FOR SENSOR CHIP FOR
BIOCHEMICAL ANALYZER**

(75) Inventors: **Hitoshi Shimizu**, Kanagawa (JP);
Katsuaki Muraishi, Kanagawa (JP);
Tatsuo Fujikura, Kanagawa (JP);
Hirohiko Tsuzuki, Kanagawa (JP);
Kouji Kuruma, Kanagawa (JP);
Masayasu Konishi, Kanagawa (JP);
Yoshiyuki Kunuki, Kanagawa (JP)

(73) Assignee: **Fuji Photo Film Co., Ltd.**, Kanagawa
(JP)

(**) Term: **14 Years**

(21) Appl. No.: **29/237,421**

(22) Filed: **Sep. 1, 2005**

(30) **Foreign Application Priority Data**

Mar. 1, 2005 (JP) 2005-005941

(51) **LOC (8) Cl.** **10-04**

(52) **U.S. Cl.** **D10/81**

(58) **Field of Classification Search** D10/81;
204/403.01, 412; 205/775; 422/56, 101; 435/278.2;
436/73, 80, 164, 169, 172, 178; 600/365

See application file for complete search history.

(56) **References Cited**

U.S. PATENT DOCUMENTS

D379,662 S * 6/1997 Pearson et al. D10/81
D379,663 S * 6/1997 Pearson et al. D10/81
6,751,491 B1 * 6/2004 Lew et al. 600/345

6,787,368 B1 * 9/2004 Wong et al. 435/287.2
6,866,758 B1 * 3/2005 Bhullar et al. 204/403.02
6,998,246 B1 * 2/2006 Schaffler et al. 435/181
2003/0046811 A1 * 3/2003 Chang et al. 600/365
2004/0124098 A1 * 7/2004 Huang et al. 205/775
2006/0070878 A1 * 4/2006 Wu et al. 204/403.01

* cited by examiner

Primary Examiner—Antoine D. Davis

(74) *Attorney, Agent, or Firm*—Young & Thompson

(57) **CLAIM**

The ornamental design for a prism for sensor chip for biochemical analyzer, as shown and described.

DESCRIPTION

FIG. 1 is a perspective view of a prism for sensor chip for biochemical analyzer, showing our new design;

FIG. 2 is a front elevational view thereof;

FIG. 3 is a rear elevational view thereof;

FIG. 4 is a top plan view thereof;

FIG. 5 is a bottom plan view thereof;

FIG. 6 is an end elevational view thereof from the left of FIG. 2;

FIG. 7 is an end elevational view thereof from the right of FIG. 2; and,

FIG. 8 is a view similar to FIG. 1 but showing the environment in which the same is intended to be used.

The material shown in FIG. 8 that does not appear in FIG. 1 forms no part of the invention and is not claimed in the present application.

The broken line showing is for illustrative purposes only and forms no part of the claimed design.

1 Claim, 5 Drawing Sheets

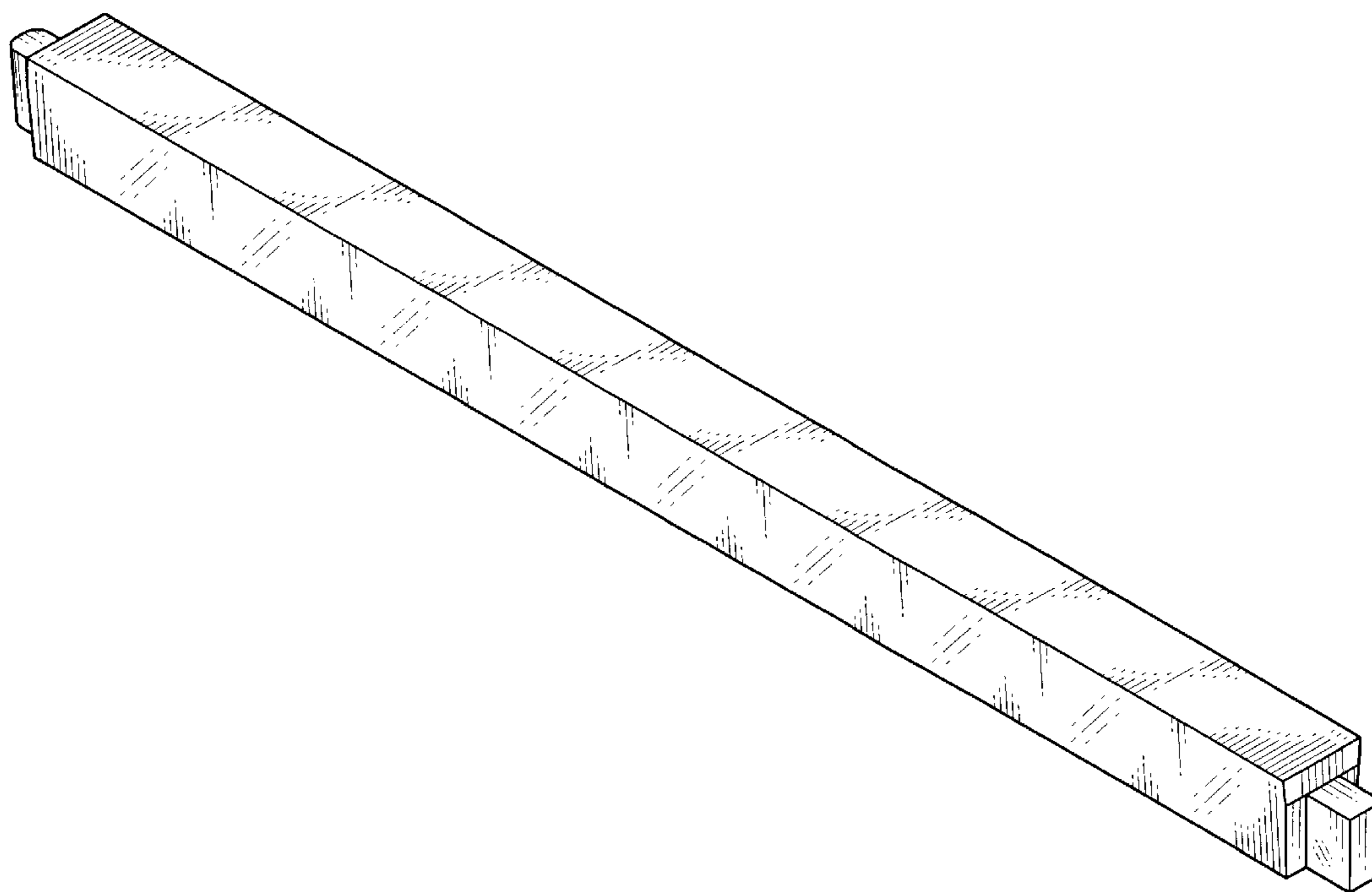


FIG. 1

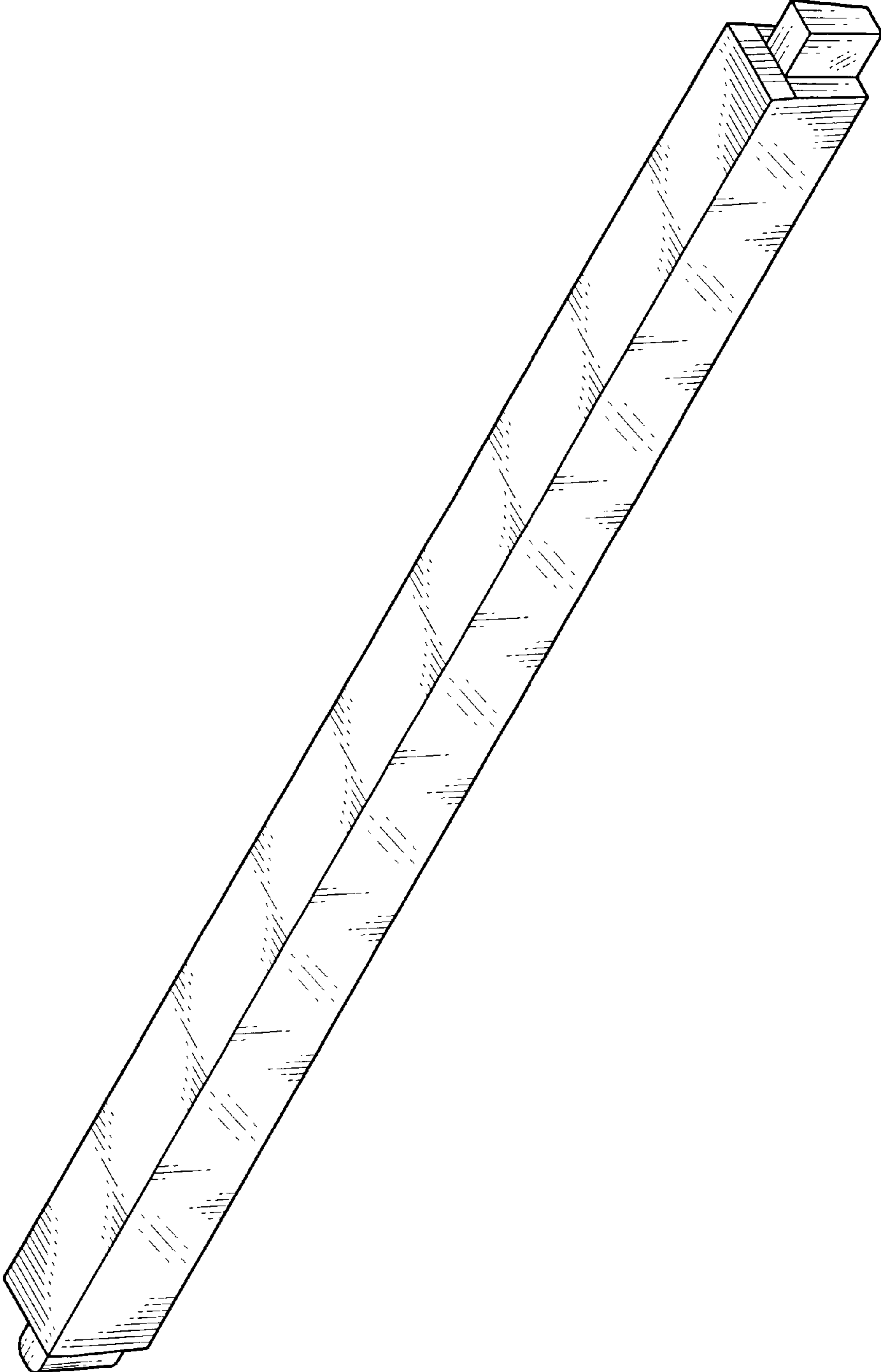


FIG.2

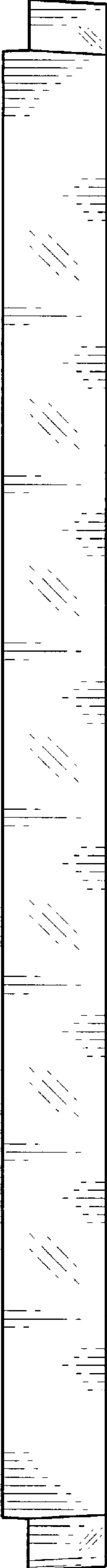


FIG.3



FIG.4

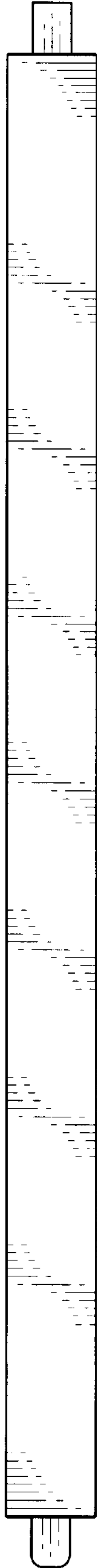


FIG.5

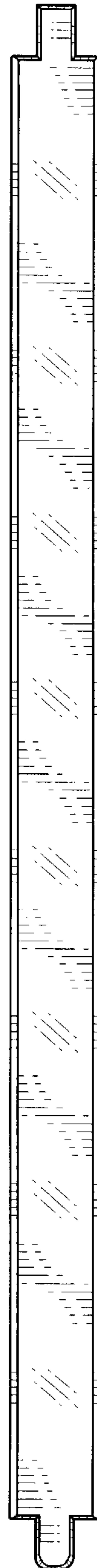


FIG.6

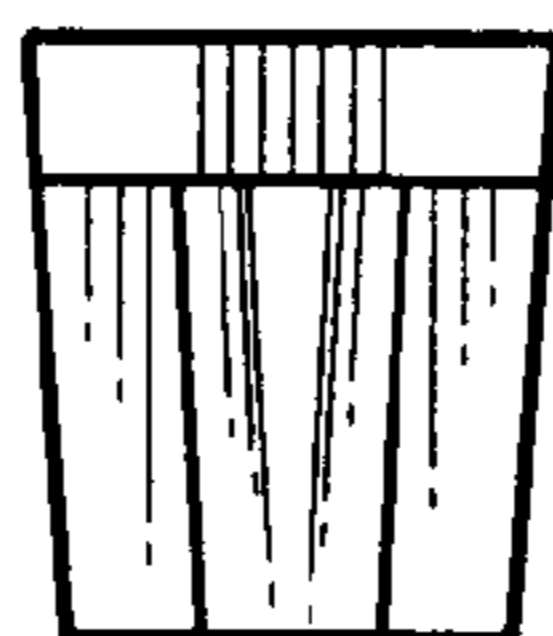


FIG.7

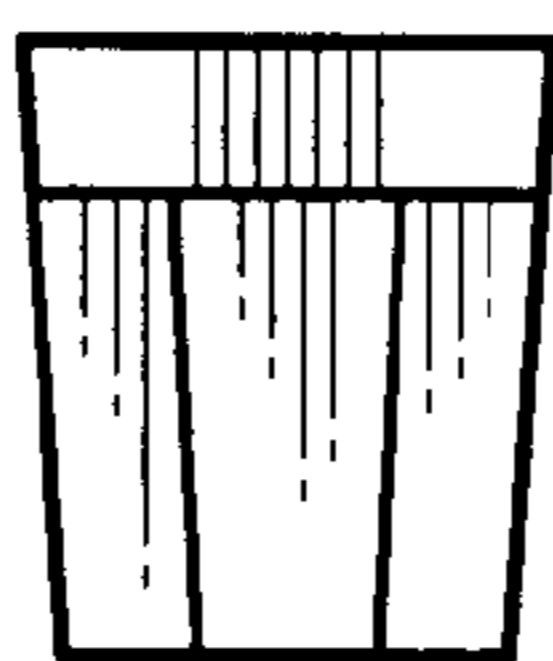


FIG. 8

