



US00D530224S

(12) **United States Design Patent**
Mattesky

(10) **Patent No.:** **US D530,224 S**

(45) **Date of Patent:** **** Oct. 17, 2006**

(54) **GLOVE DISPENSER**

D504,794 S * 5/2005 Sellars D6/522

(76) Inventor: **Henry Mattesky**, 13 Duck Pond La.,
Ramsey, NJ (US) 07446

* cited by examiner

(**) Term: **14 Years**

Primary Examiner—Stella Reid

Assistant Examiner—Shanda C. Hill

(21) Appl. No.: **29/229,992**

(74) *Attorney, Agent, or Firm*—McCarter & English, LLP

(22) Filed: **May 13, 2005**

(57) **CLAIM**

The ornamental design for a glove dispenser, as shown and described.

(51) **LOC (8) Cl.** **09-03**

(52) **U.S. Cl.** **D9/734**

(58) **Field of Classification Search** D9/730,
D9/734, 414, 417, 420, 424, 428, 515, 516,
D9/528–530, 537, 549, 733; D6/512, 515,
D6/518, 522, 523; 206/233, 812, 823, 204,
206/205

DESCRIPTION

See application file for complete search history.

FIG. 1 is a front perspective view of a glove dispenser showing my new design;

FIG. 2 is a front elevational view thereof;

FIG. 3 is a rear elevational view thereof;

FIG. 4 is a left side elevational view thereof; the right side being a mirror image thereof;

FIG. 5 is a cross-sectional view of thereof, taken along line 5–5 of FIG. 4;

FIG. 6 is a top plan view thereof;

FIG. 7 is a bottom plan view thereof; and,

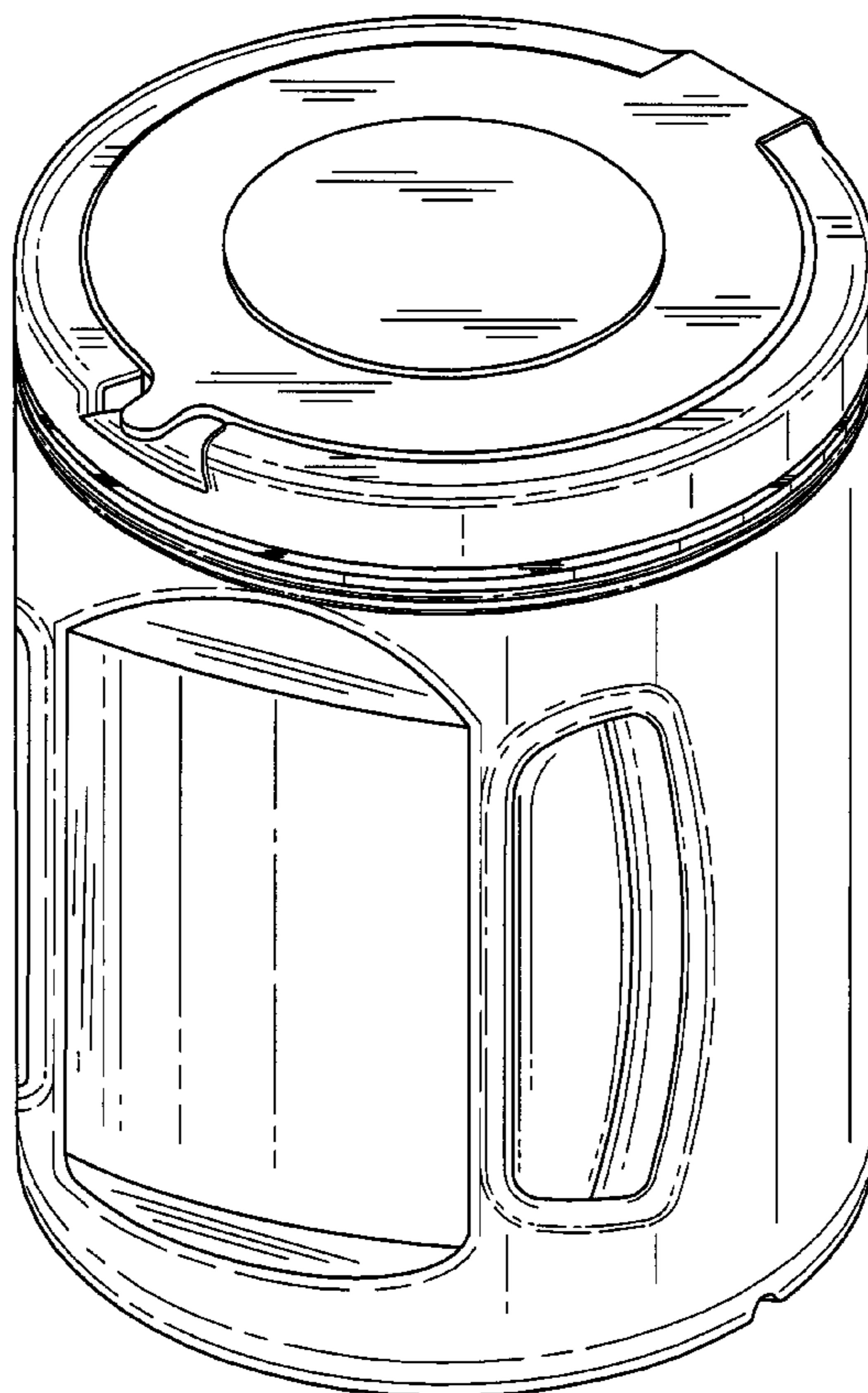
FIG. 8 is a front elevational view of FIG. 1, shown in a preferred environment, the broken lines shown are for illustrative purposes only and form no part of the claimed design.

(56) **References Cited**

U.S. PATENT DOCUMENTS

D293,058 S	*	12/1987	Iwarsson	D6/523
D322,215 S	*	12/1991	Hunt	D9/733
D322,931 S	*	1/1992	Hunt	D9/733
D322,932 S	*	1/1992	Hunt	D9/733
D327,798 S	*	7/1992	Addison et al.	D6/523
D327,799 S	*	7/1992	Addison et al.	D6/523
D372,615 S	*	8/1996	Owens	D6/522
D467,106 S	*	12/2002	Bohay	D6/523

1 Claim, 7 Drawing Sheets



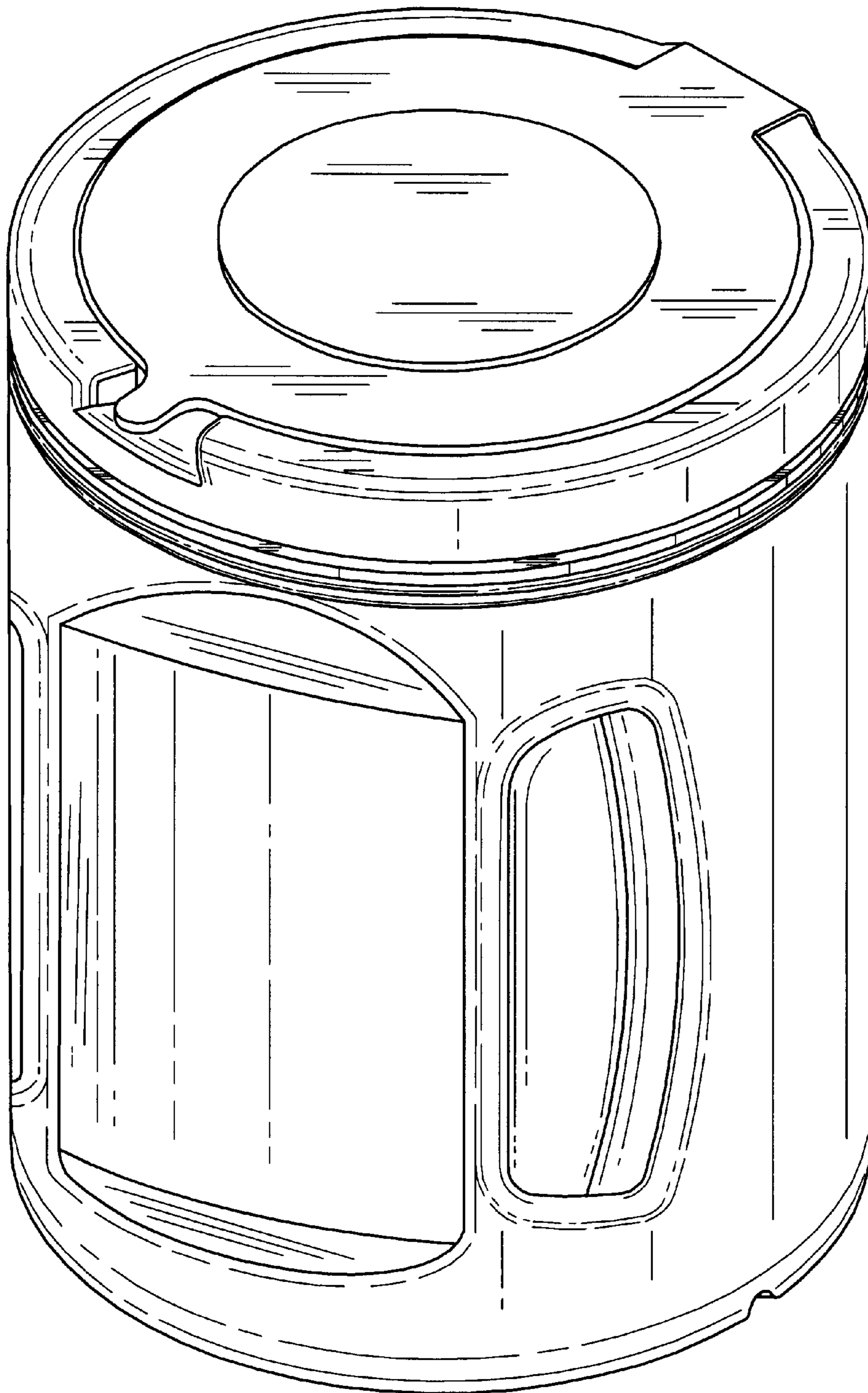


FIG. 1

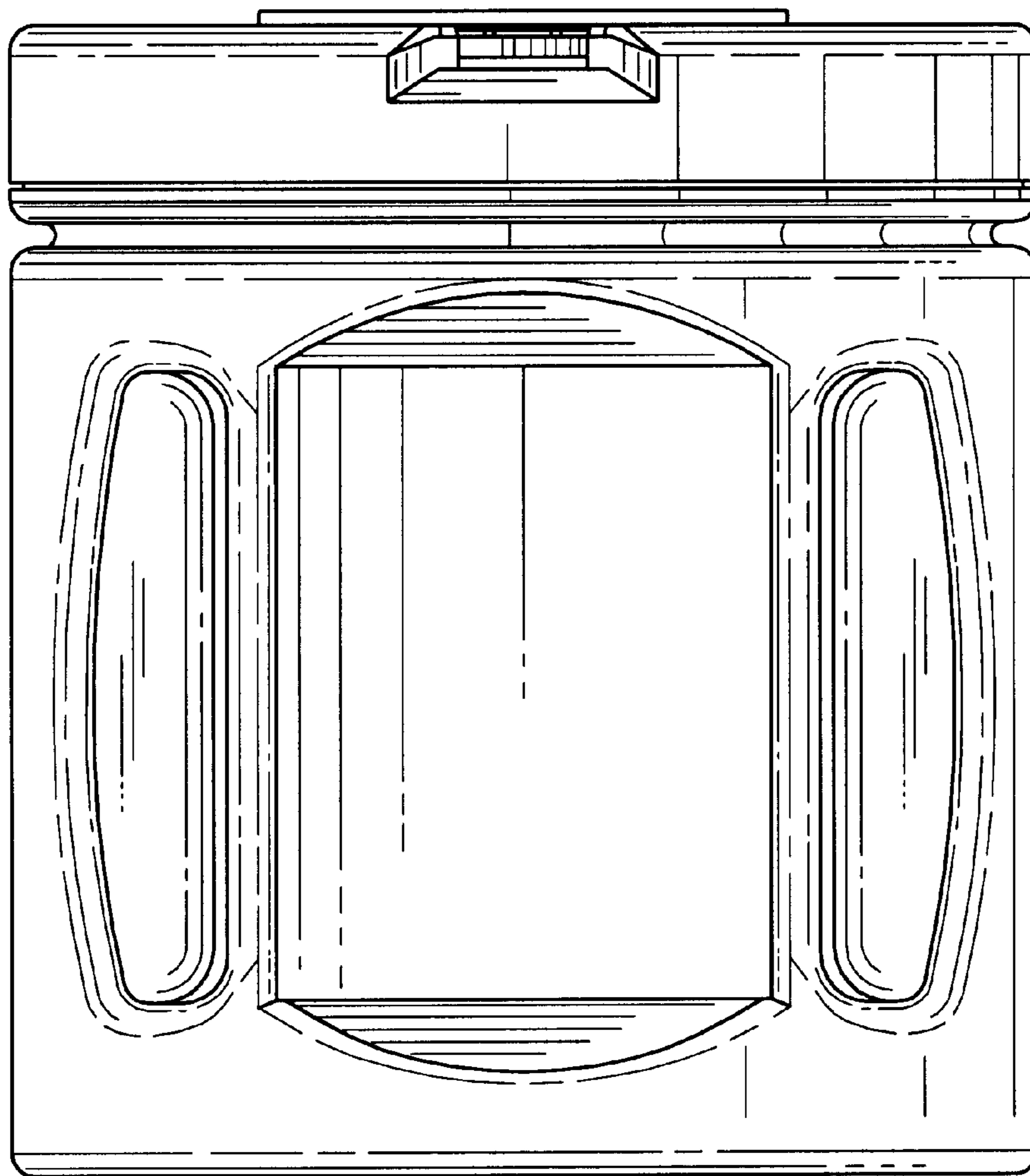


FIG. 2

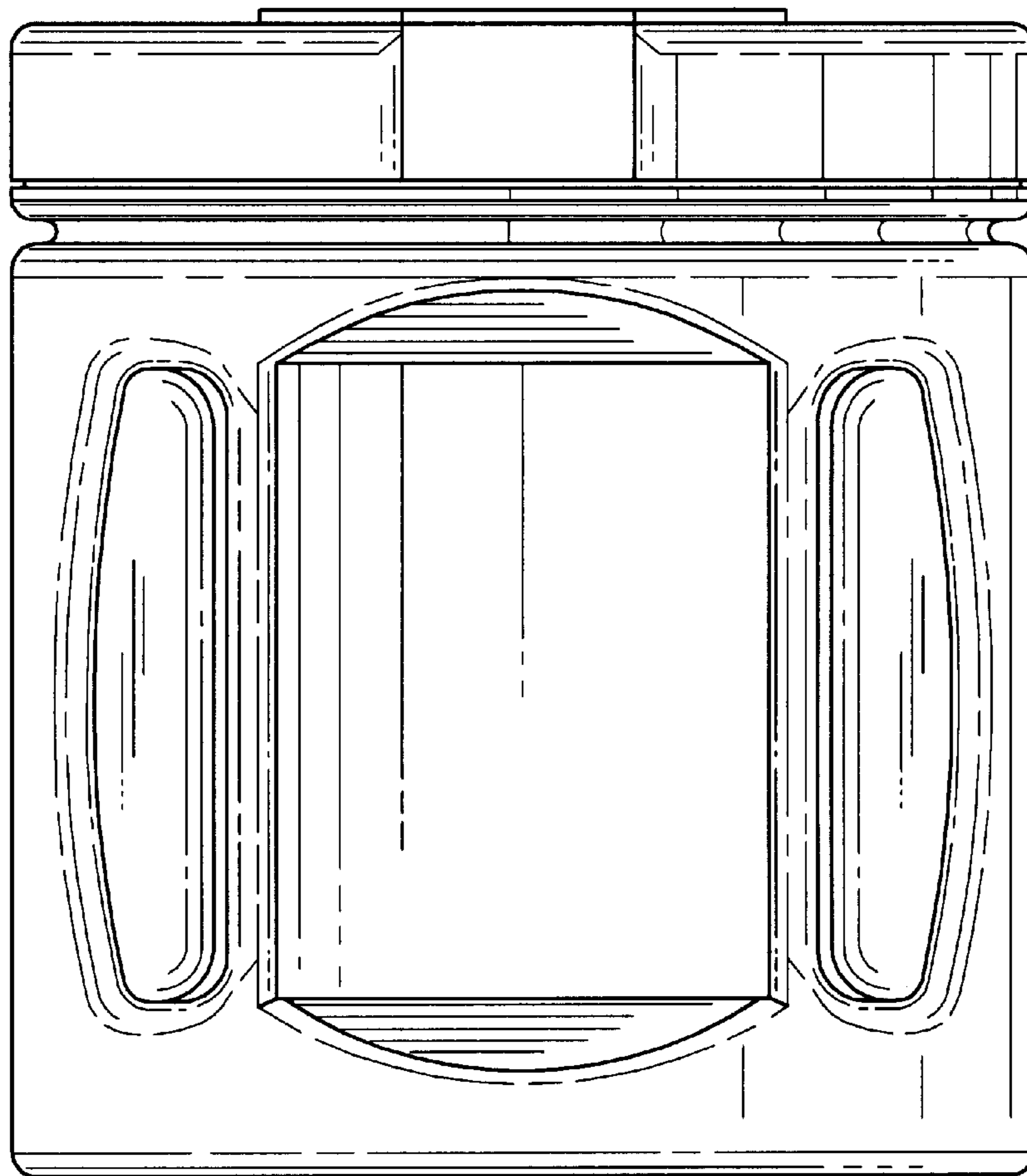


FIG. 3

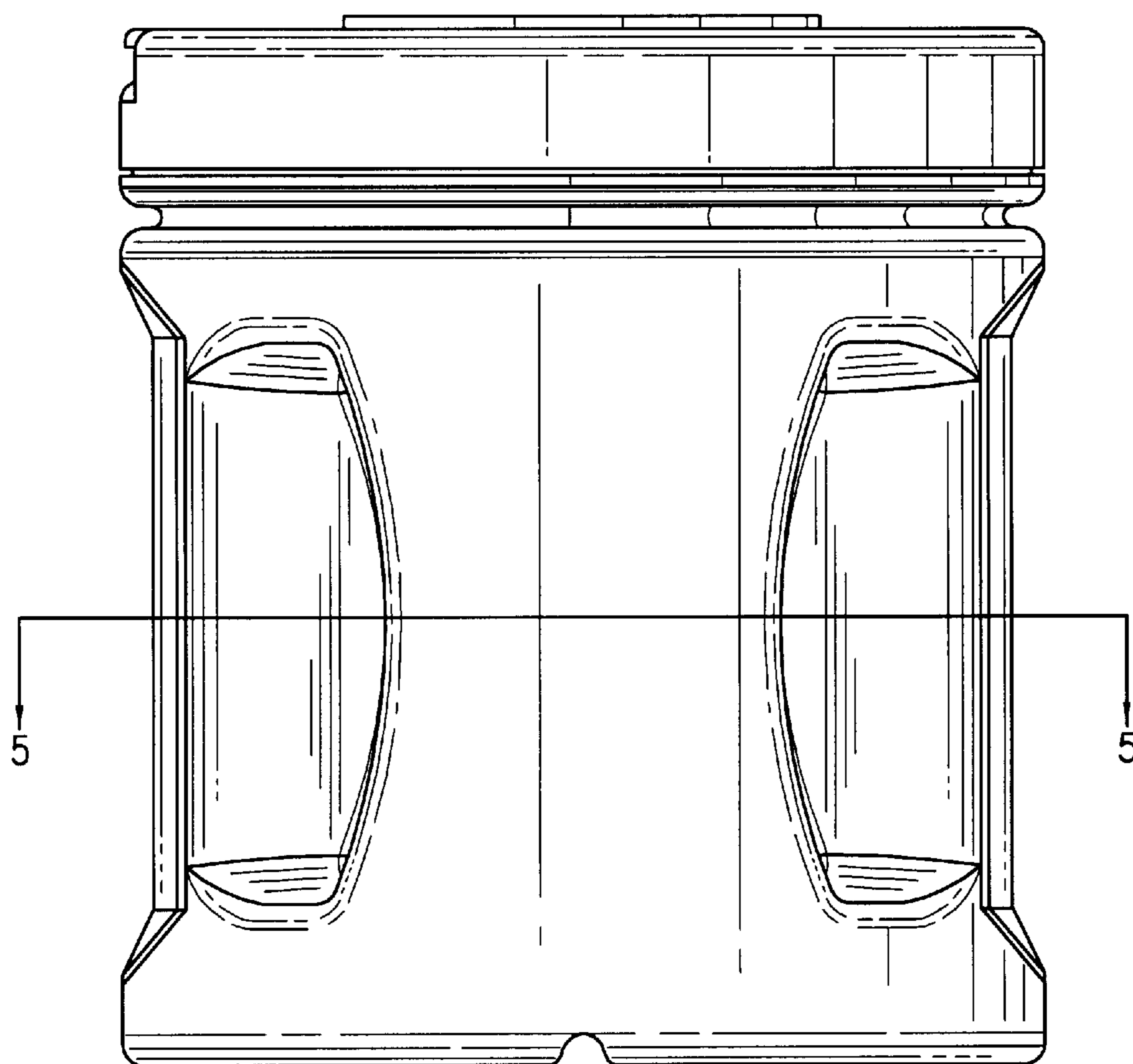


FIG. 4

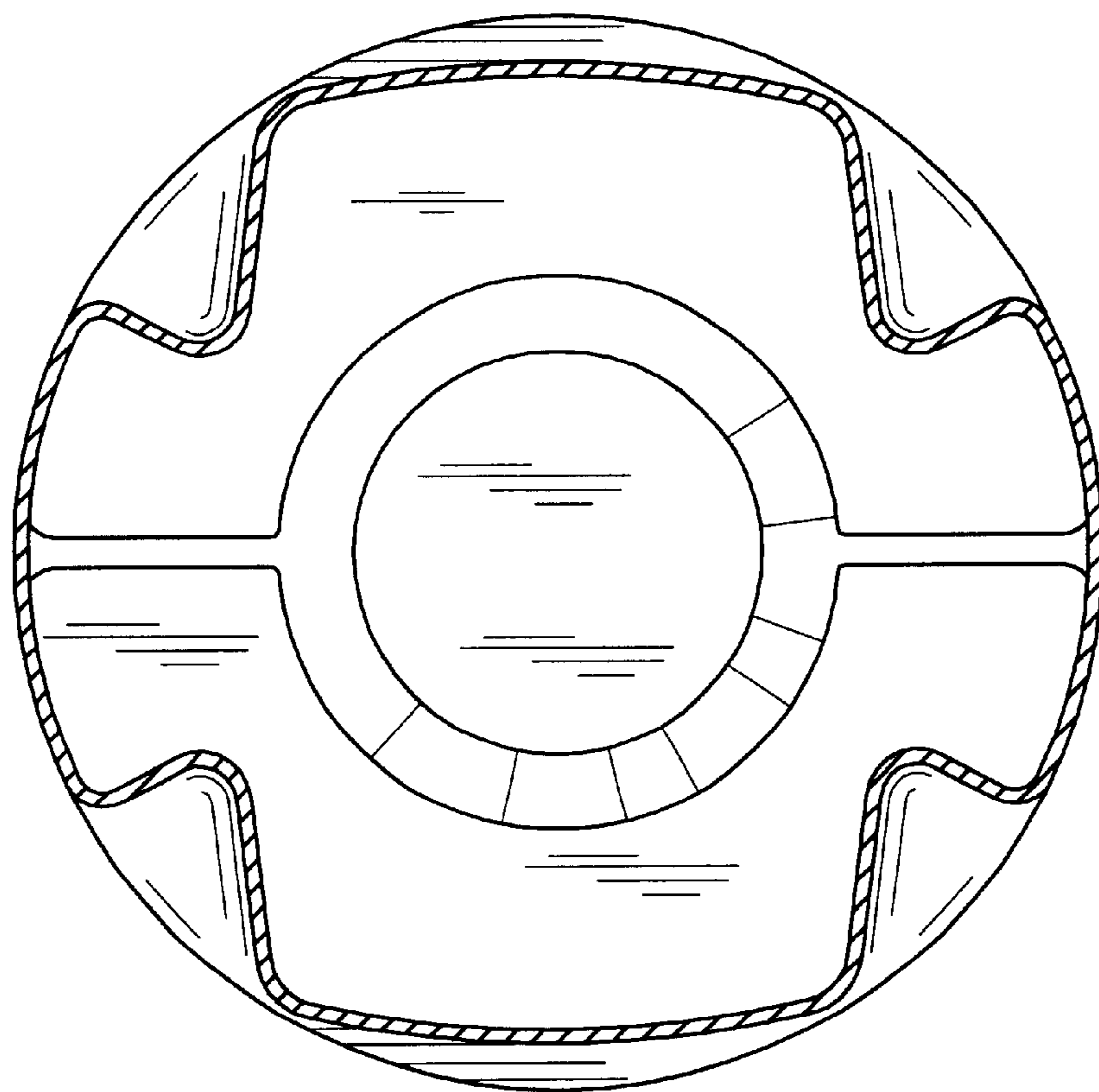


FIG. 5

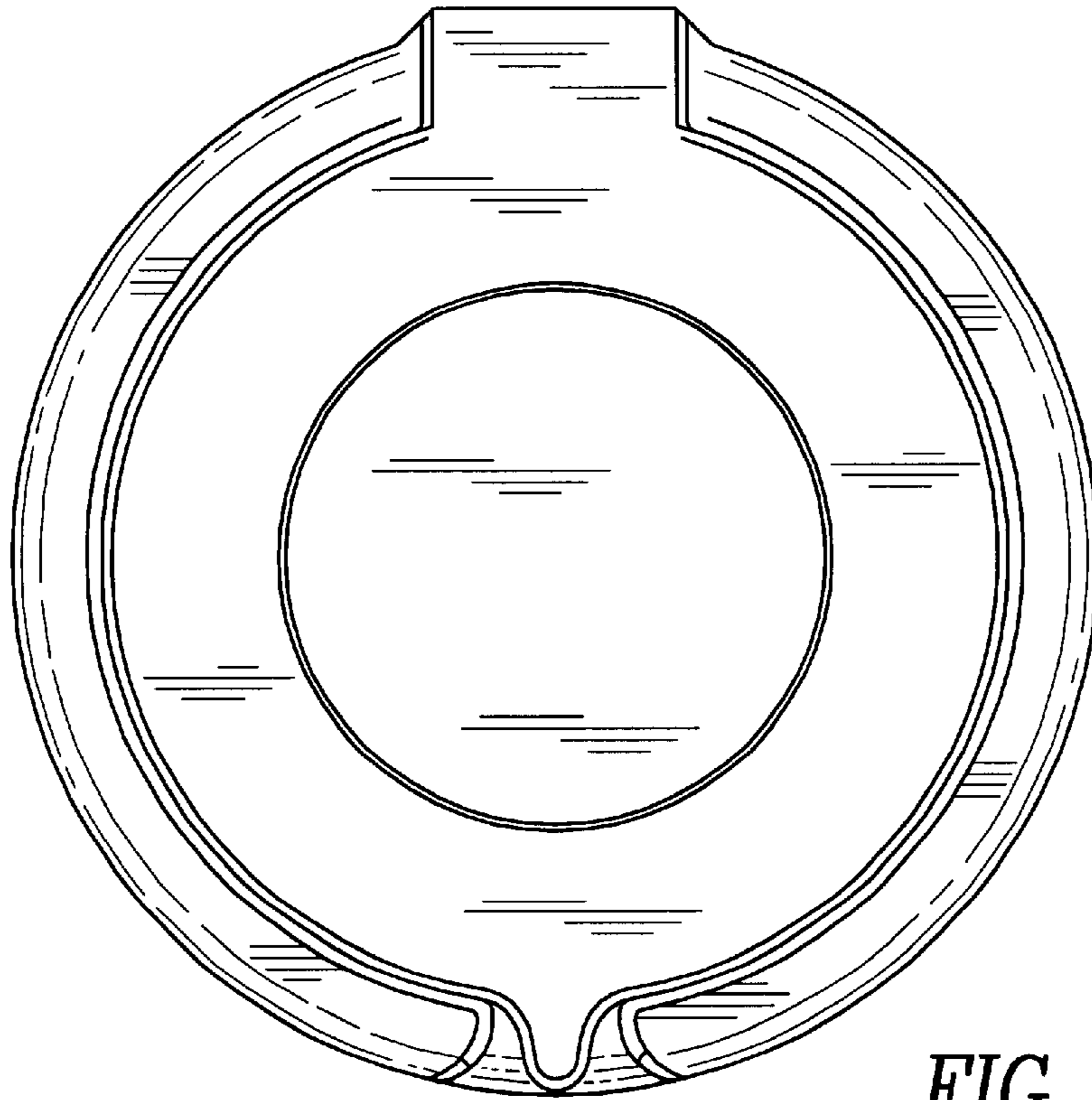


FIG. 6

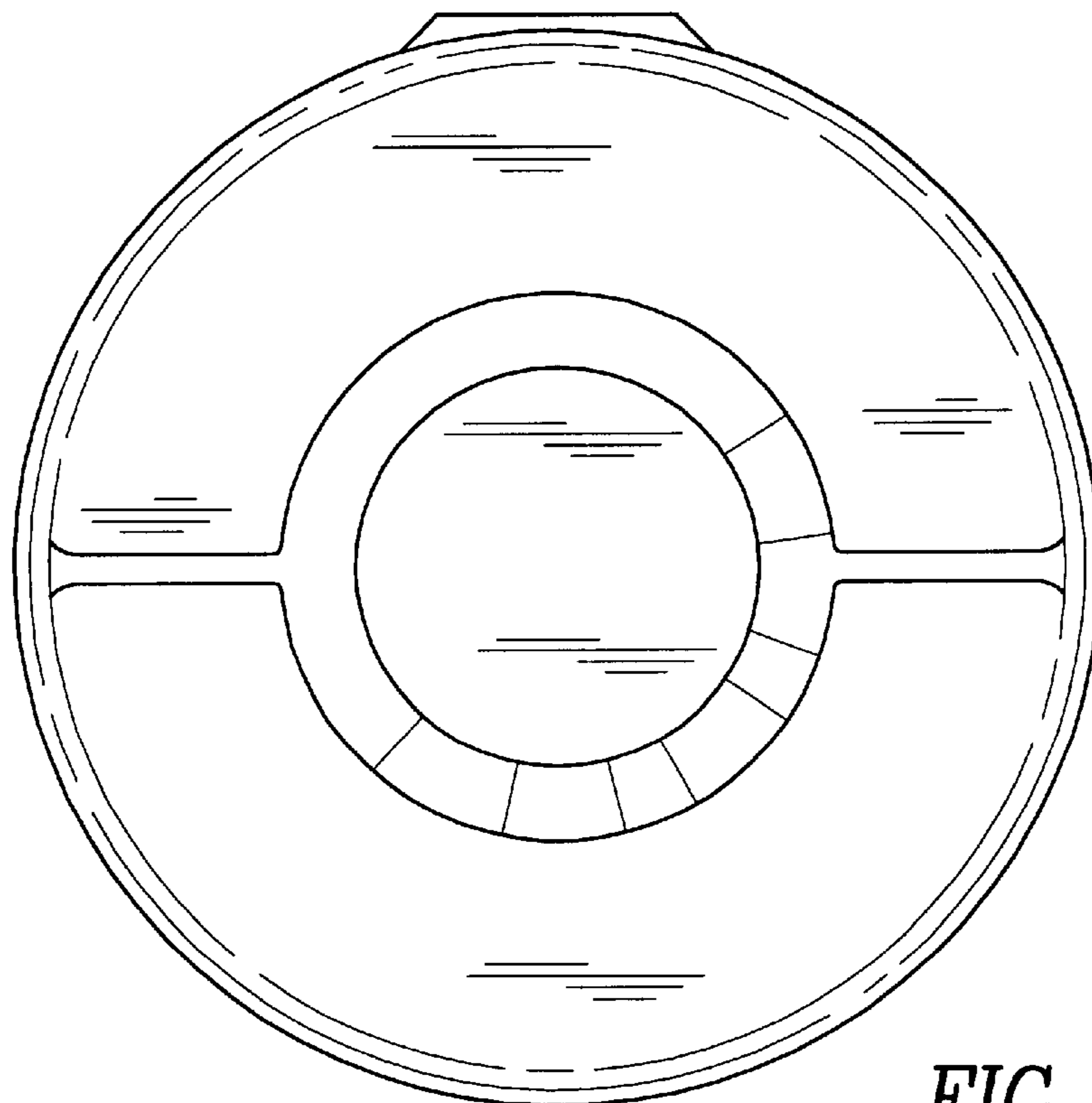


FIG. 7

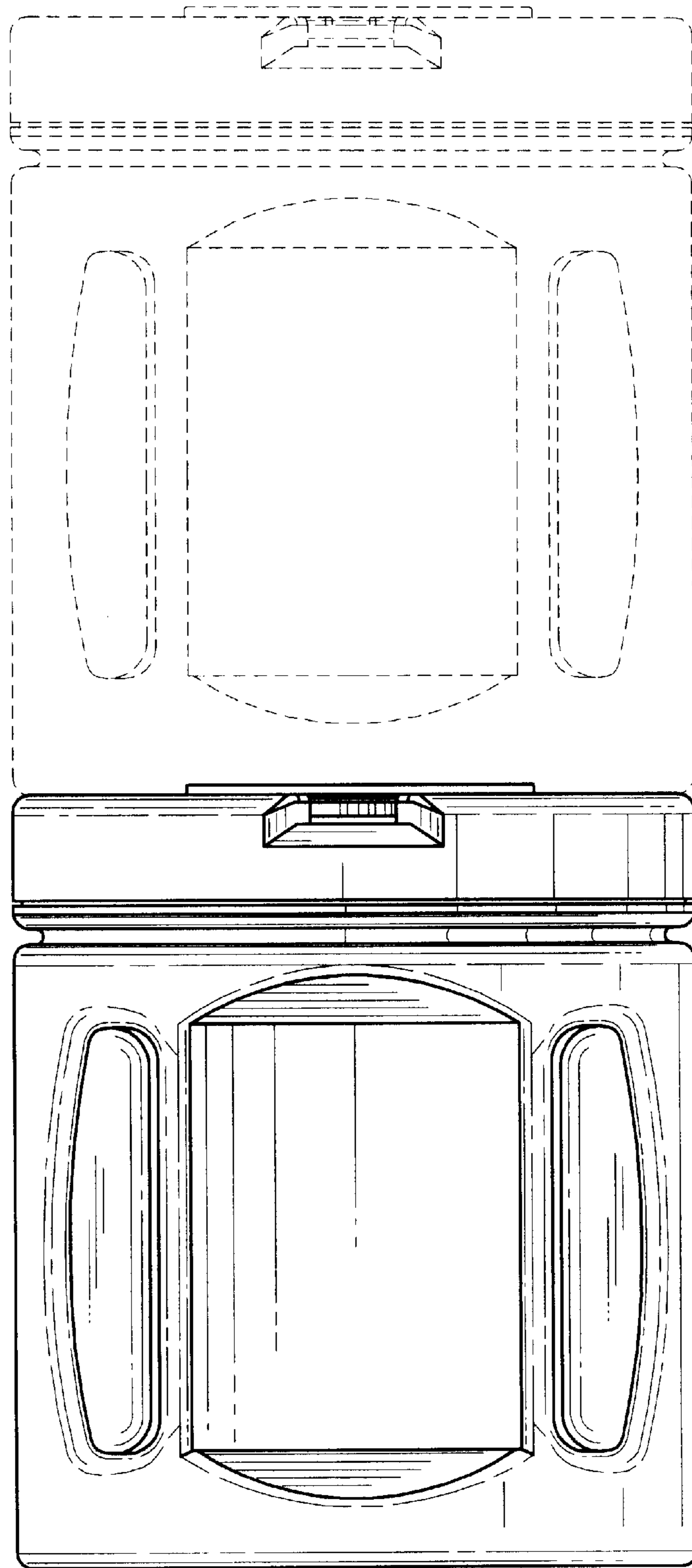


FIG. 8