



US00D530223S

(12) **United States Design Patent**
Mau et al.

(10) **Patent No.:** **US D530,223 S**
(45) **Date of Patent:** **** Oct. 17, 2006**

(54) **TISSUE DISPENSER**
(75) Inventors: **Christine Marie Mau**, Neenah, WI
(US); **Duane Lyle McDonald**, Neenah,
WI (US)
(73) Assignee: **Kimberly-Clark Worldwide, Inc.**,
Neenah, WI (US)
(**) Term: **14 Years**

(21) Appl. No.: **29/224,355**
(22) Filed: **Mar. 1, 2005**

(51) **LOC (8) Cl.** **09-03**
(52) **U.S. Cl.** **D9/734; D9/500**
(58) **Field of Classification Search** D9/730,
D9/734, 414, 417, 420, 424, 428, 515, 516,
D9/528-530, 537, 549, 500, 763, 772, 779,
D9/781; D6/512, 515, 518, 522; D23/313;
206/204, 205, 233, 812, 823
See application file for complete search history.

(56) **References Cited**

U.S. PATENT DOCUMENTS

2,483,564 A * 10/1949 Sitton 210/538
2,611,482 A 9/1952 Nelson
D205,686 S * 9/1966 Marchant D9/779
3,700,138 A 10/1972 Nelson
4,109,848 A 8/1978 Kipp et al.
D266,485 S * 10/1982 Guerette D9/500
D286,506 S 11/1986 Poore et al.
D298,565 S * 11/1988 Kohler, Jr. D23/313
4,955,531 A 9/1990 Graboyes
5,139,164 A 8/1992 Stewart
D372,386 S 8/1996 Kuchenbecker
D372,387 S 8/1996 Kuchenbecker
5,669,549 A 9/1997 Robertson
5,669,550 A 9/1997 Klemme et al.
D407,974 S 4/1999 Zimmer et al.
D416,796 S 11/1999 Smith
6,053,353 A 4/2000 Helms

6,152,359 A 11/2000 Clark
D435,093 S * 12/2000 Nieto D23/313
6,196,451 B1 3/2001 Helms
6,213,345 B1 4/2001 Plank
6,318,590 B1 11/2001 McMurray-Stivers
D453,108 S 1/2002 Gasco
D462,212 S * 9/2002 Kureghian D6/515
D464,565 S 10/2002 Weinstein et al.
D464,877 S 10/2002 Weinstein et al.
D466,809 S * 12/2002 Sagel D9/428
D467,800 S 12/2002 Chen et al.
D470,768 S 2/2003 Melhede
D489,985 S * 5/2004 Kanoun D9/500
D501,636 S * 2/2005 Melhede D9/428
2001/0054620 A1 12/2001 Blissett et al.

FOREIGN PATENT DOCUMENTS

GB D 2070747 5/1998
GB D 2076890 12/1998

* cited by examiner

Primary Examiner—Stella Reid
Assistant Examiner—Shanda C. Hill
(74) *Attorney, Agent, or Firm*—Scott A. Baum

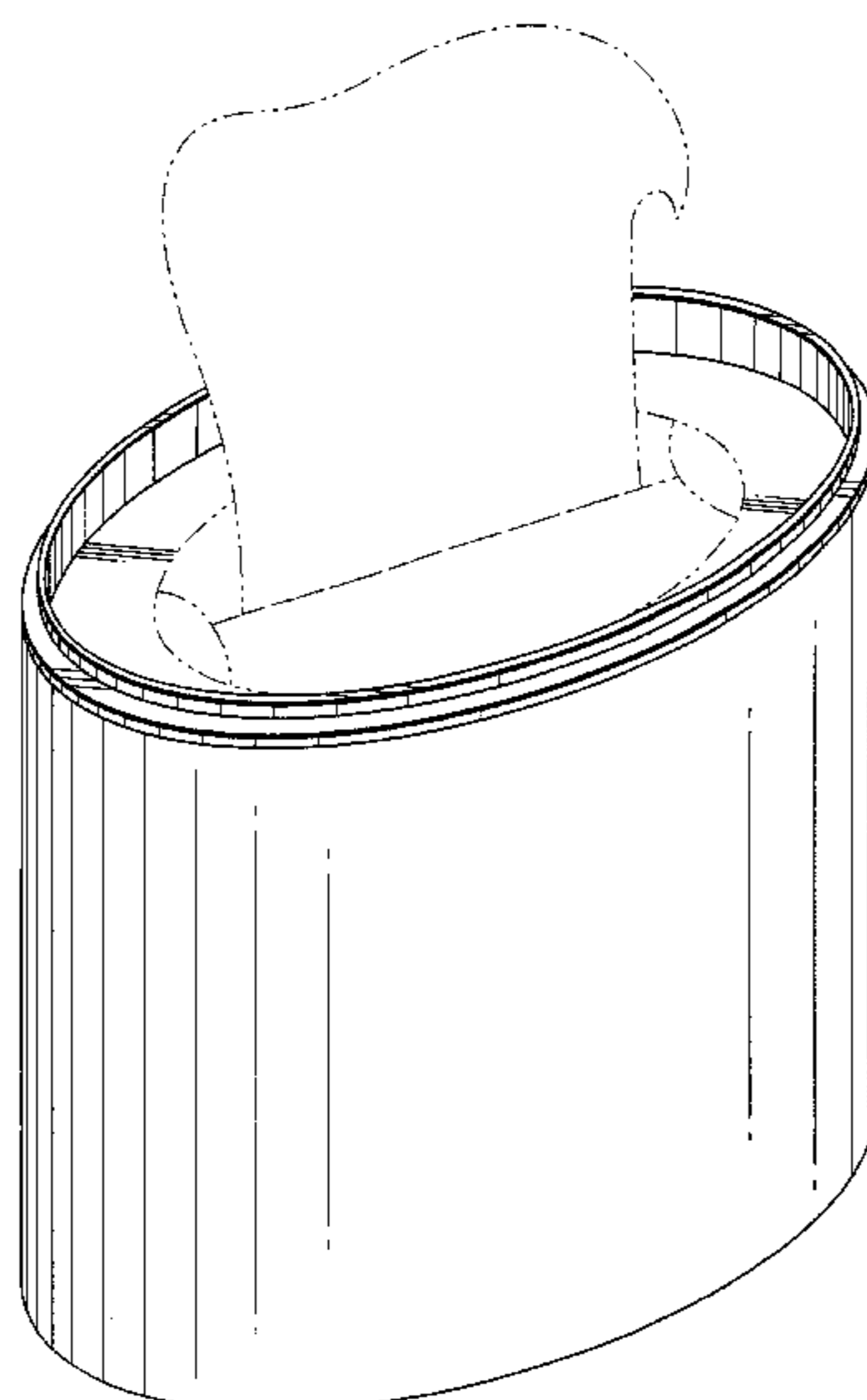
(57) **CLAIM**

We claim the ornamental design for a tissue dispenser, as shown and described.

DESCRIPTION

FIG. 1 is a perspective view of a tissue dispenser showing our new design;
FIG. 2 is a front view thereof;
FIG. 3 is a right side view thereof;
FIG. 4 is a left side view thereof;
FIG. 5 is a rear view thereof;
FIG. 6 is a top view thereof; and,
FIG. 7 is a bottom view thereof.
The broken lines are for illustrative purposes only and form no part of the claimed design.

1 Claim, 7 Drawing Sheets



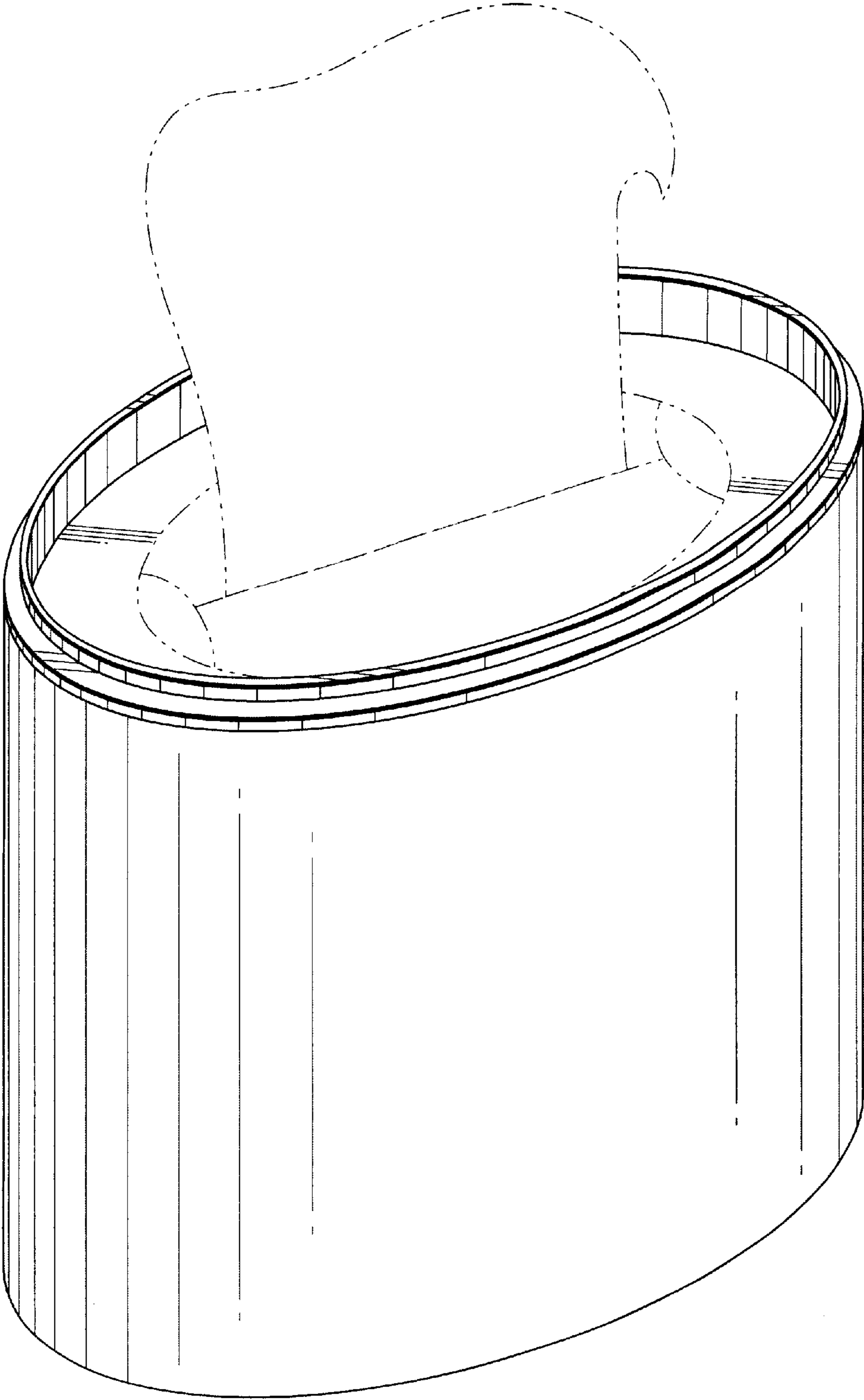


FIG. 1

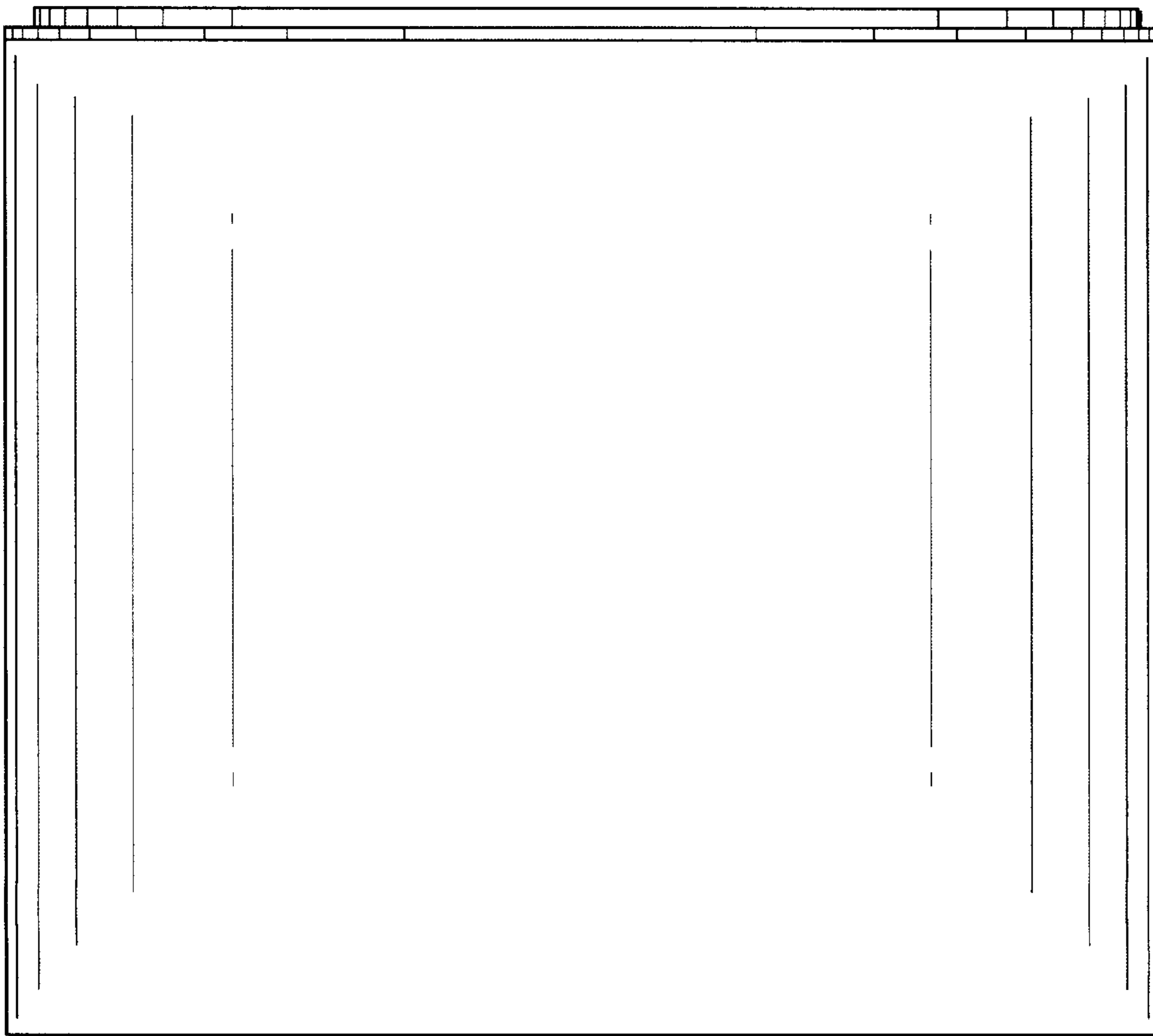


FIG. 2

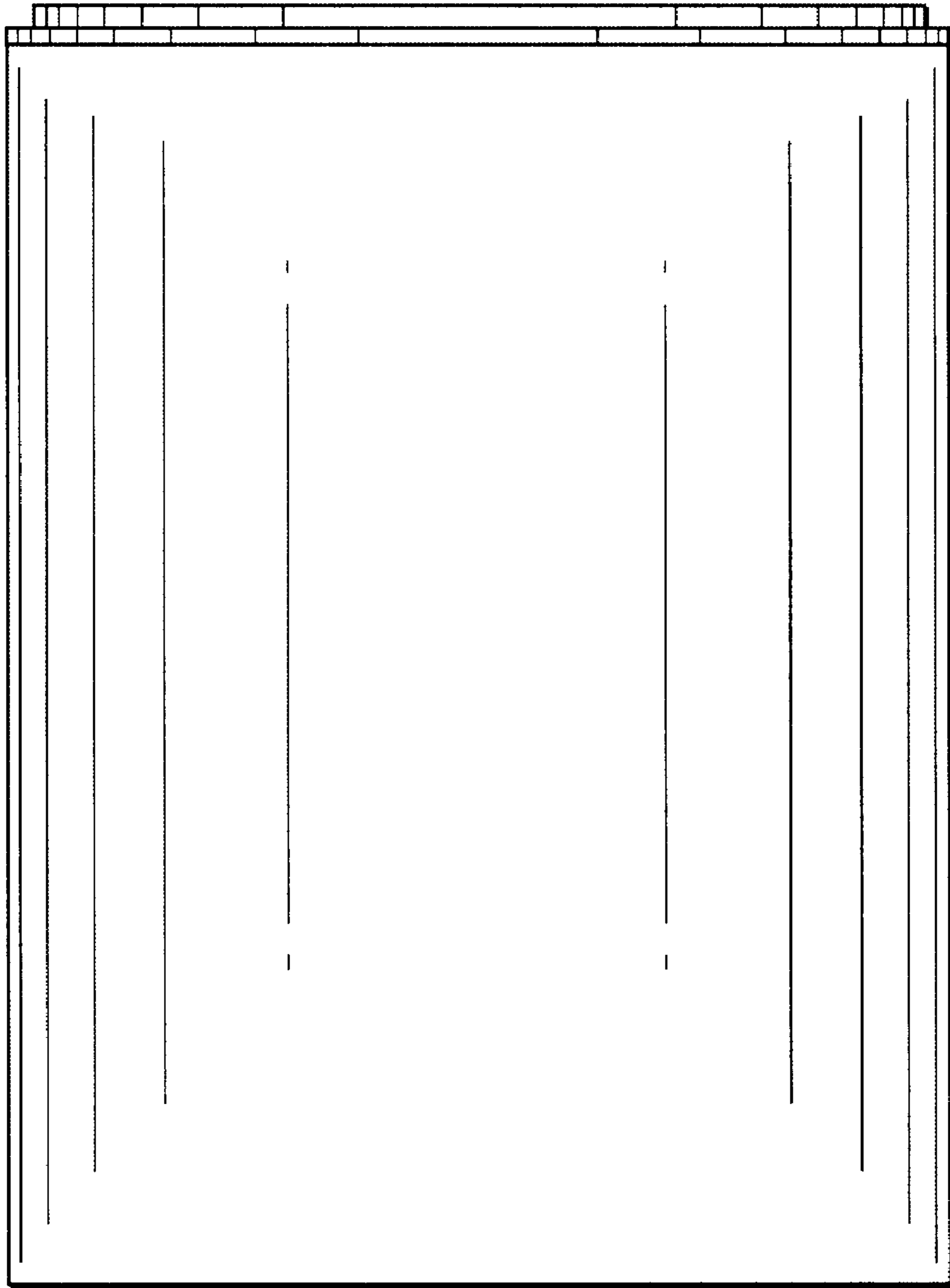


FIG. 3

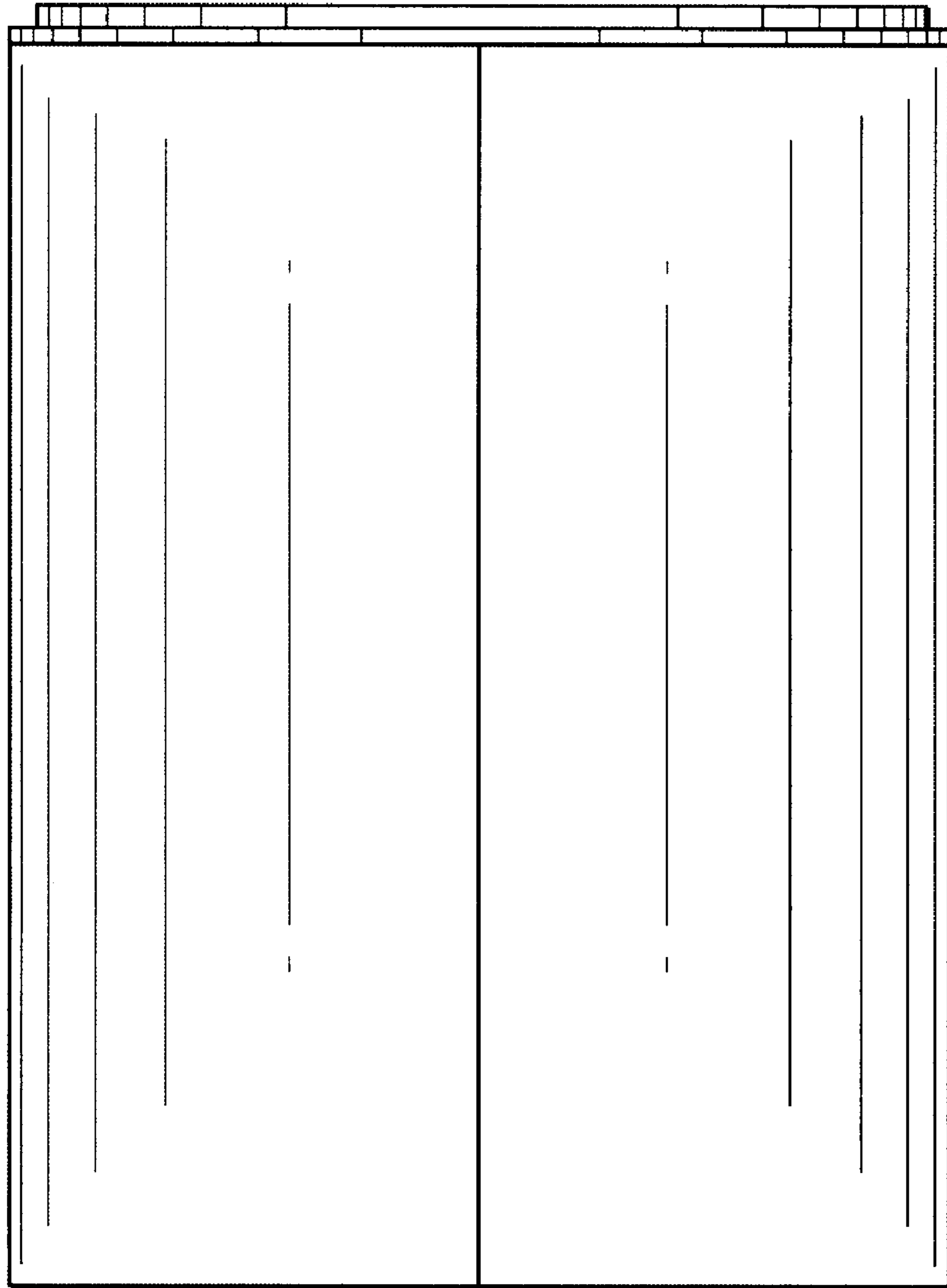


FIG. 4

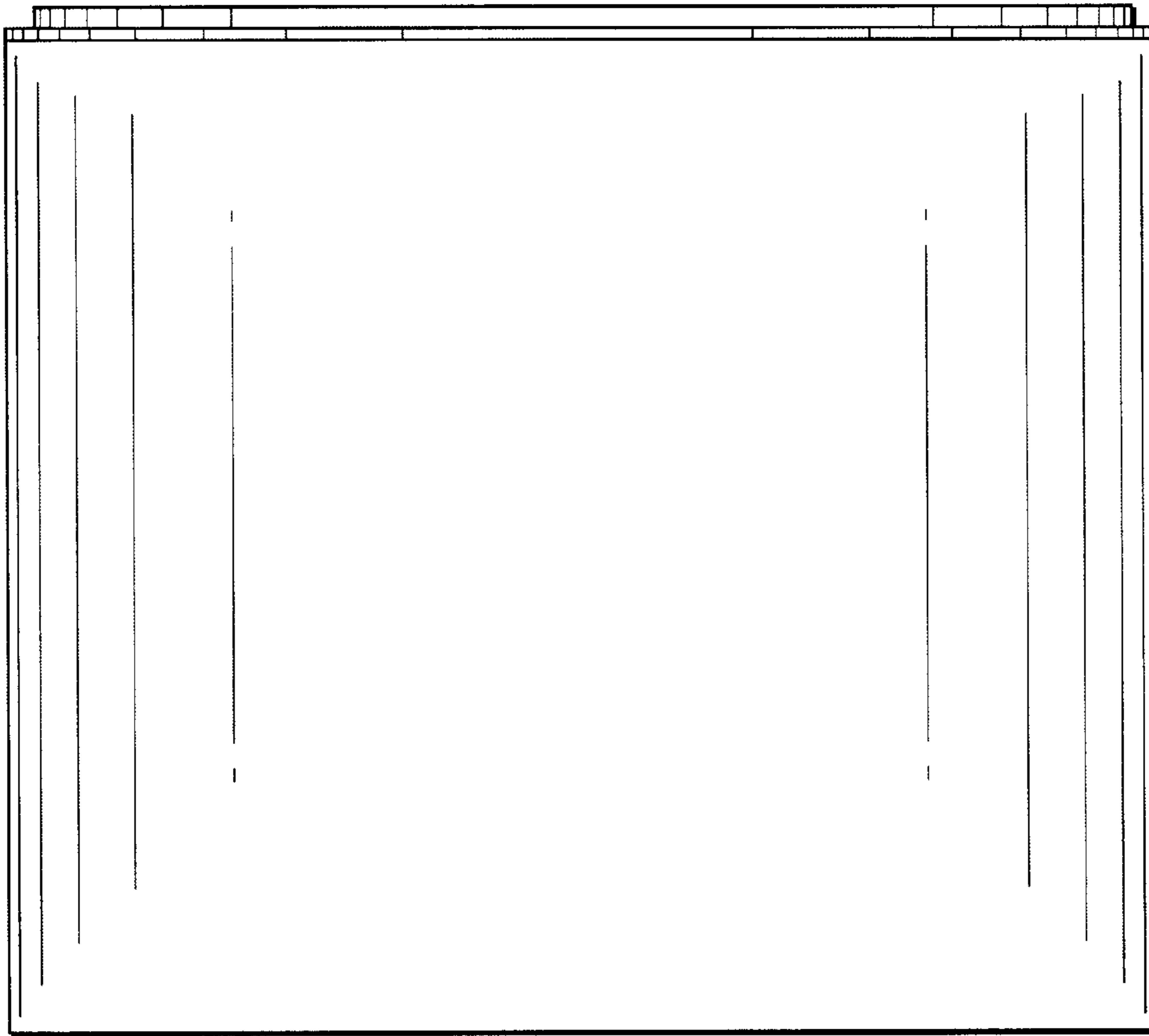


FIG. 5

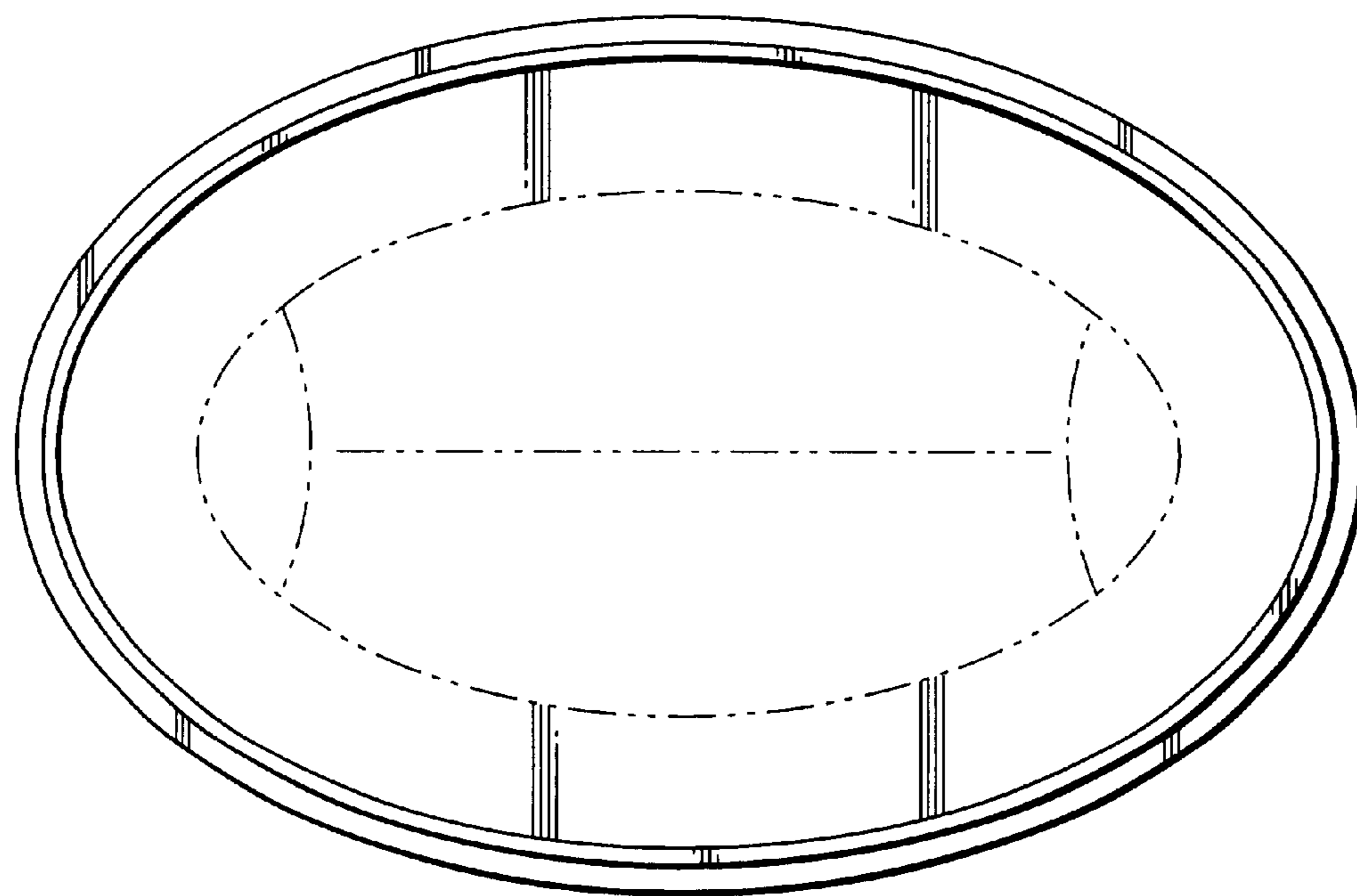


FIG. 6

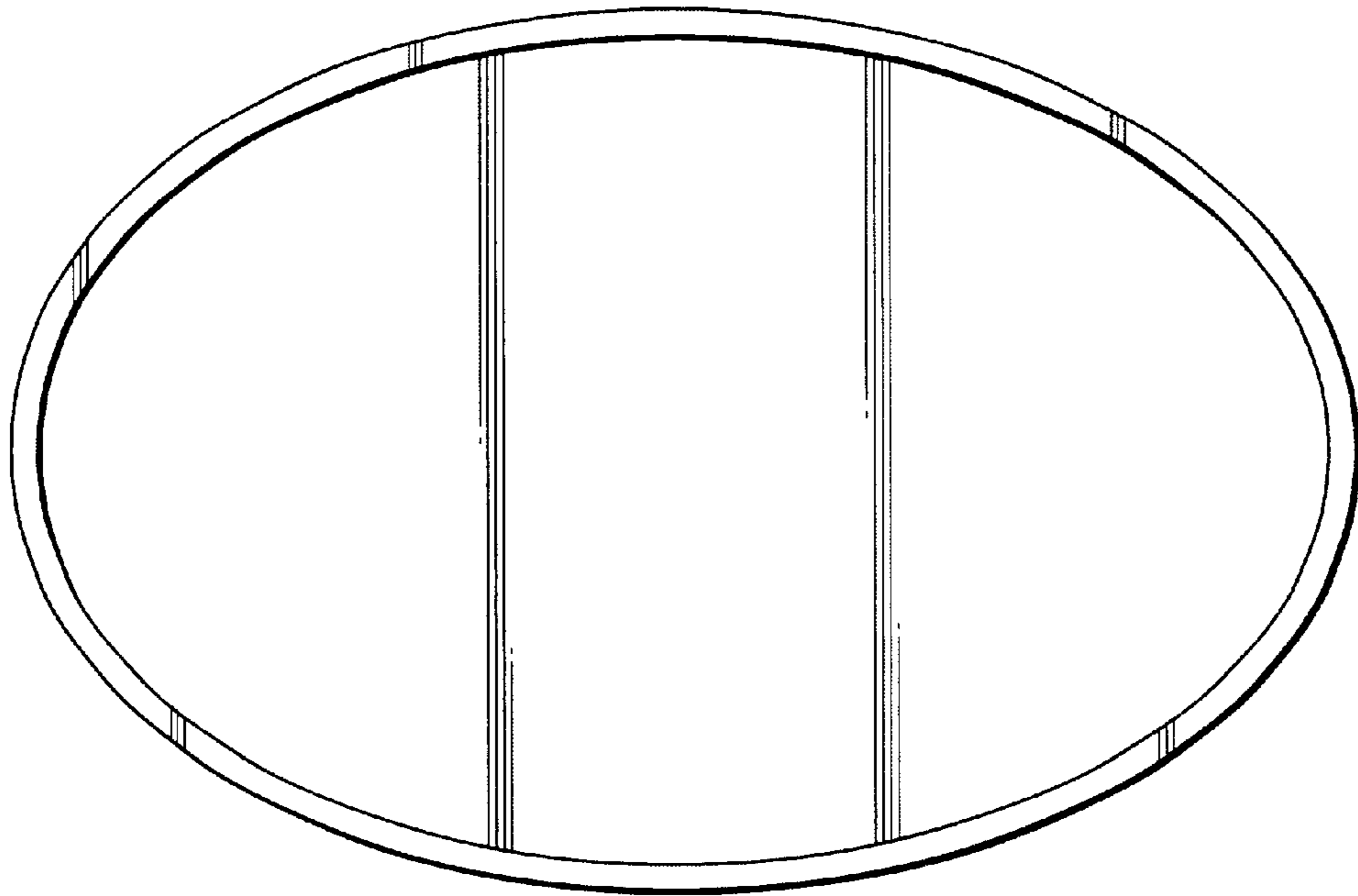


FIG. 7