



US00D530220S

(12) **United States Design Patent**  
**Rubin**

(10) **Patent No.:** **US D530,220 S**

(45) **Date of Patent:** **\*\* Oct. 17, 2006**

(54) **WRENCH SHAPED TIN BOX**

(76) **Inventor:** **Edward Scott Rubin**, 1245 N. Orange Dr., #9, Los Angeles, CA (US) 90038

(\*\*) **Term:** **14 Years**

(21) **Appl. No.:** **29/226,892**

(22) **Filed:** **Apr. 4, 2005**

(51) **LOC (8) Cl.** ..... **09-01**

(52) **U.S. Cl.** ..... **D9/679; D9/422**

(58) **Field of Classification Search** ..... D9/600,  
D9/679, 730, 414, 420-426; D3/201, 270-271.1;  
D8/21; D7/613, 628; 206/457, 459.1, 822,  
206/823; 220/890

See application file for complete search history.

(56) **References Cited**

**U.S. PATENT DOCUMENTS**

D209,712 S \* 12/1967 Zoeller ..... D9/679

D373,725 S \* 9/1996 Weil ..... D9/422  
D407,972 S \* 4/1999 Hilton ..... D9/422  
D454,060 S \* 3/2002 Davis ..... D9/679  
D464,260 S \* 10/2002 Dijkstra ..... D9/422  
D491,805 S \* 6/2004 Loth et al. .... D9/422

\* cited by examiner

*Primary Examiner*—Sandra L. Morris

(57) **CLAIM**

The ornamental design for a wrench shaped tin box, as shown.

**DESCRIPTION**

FIG. 1 is a perspective view of the wrench shaped tin box, showing my new design;

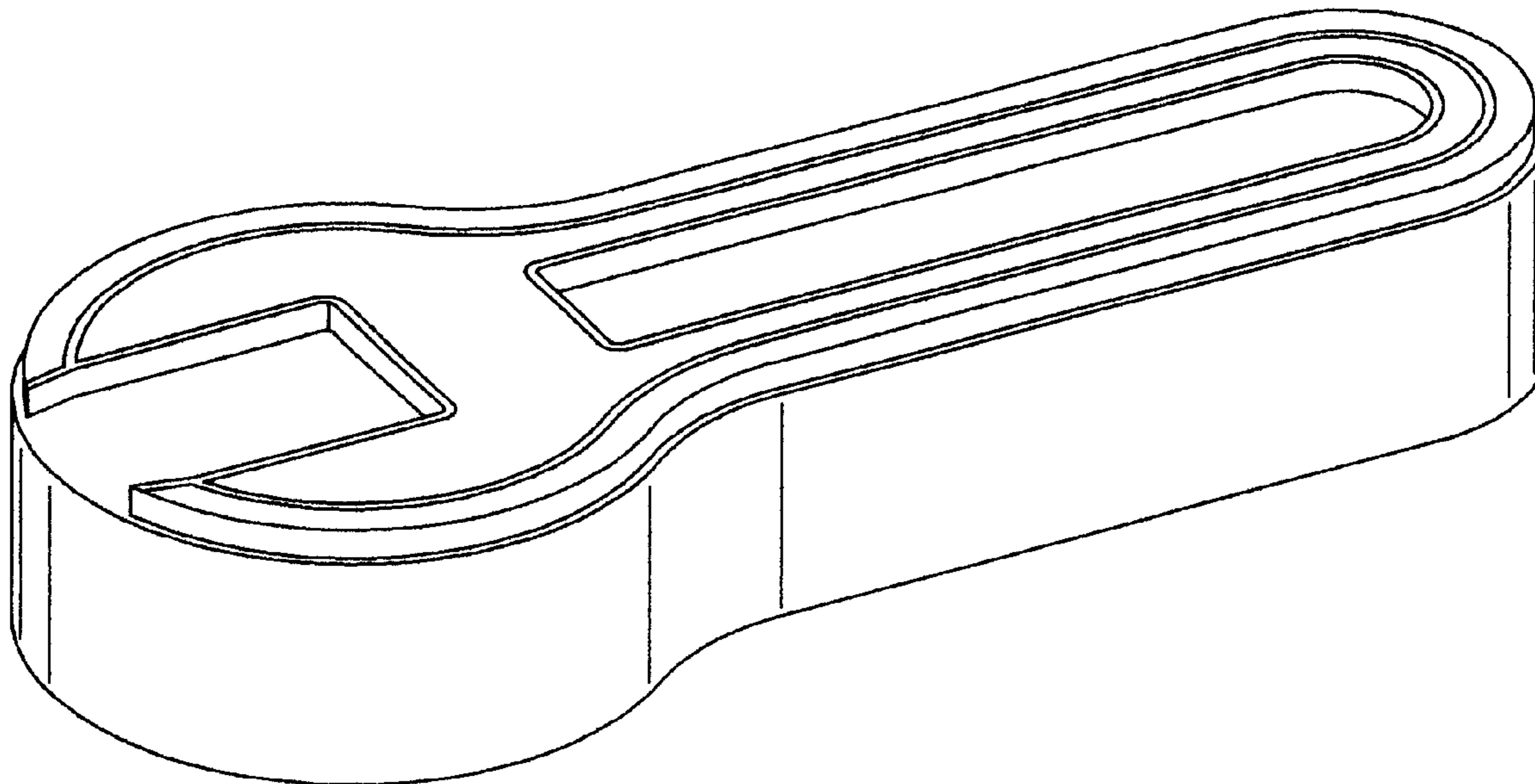
FIG. 2 is a top plan view thereof;

FIG. 3 is a front plan view thereof;

FIG. 4 is a rear plan view thereof; and,

FIG. 5 is a right side view thereof.

**1 Claim, 2 Drawing Sheets**



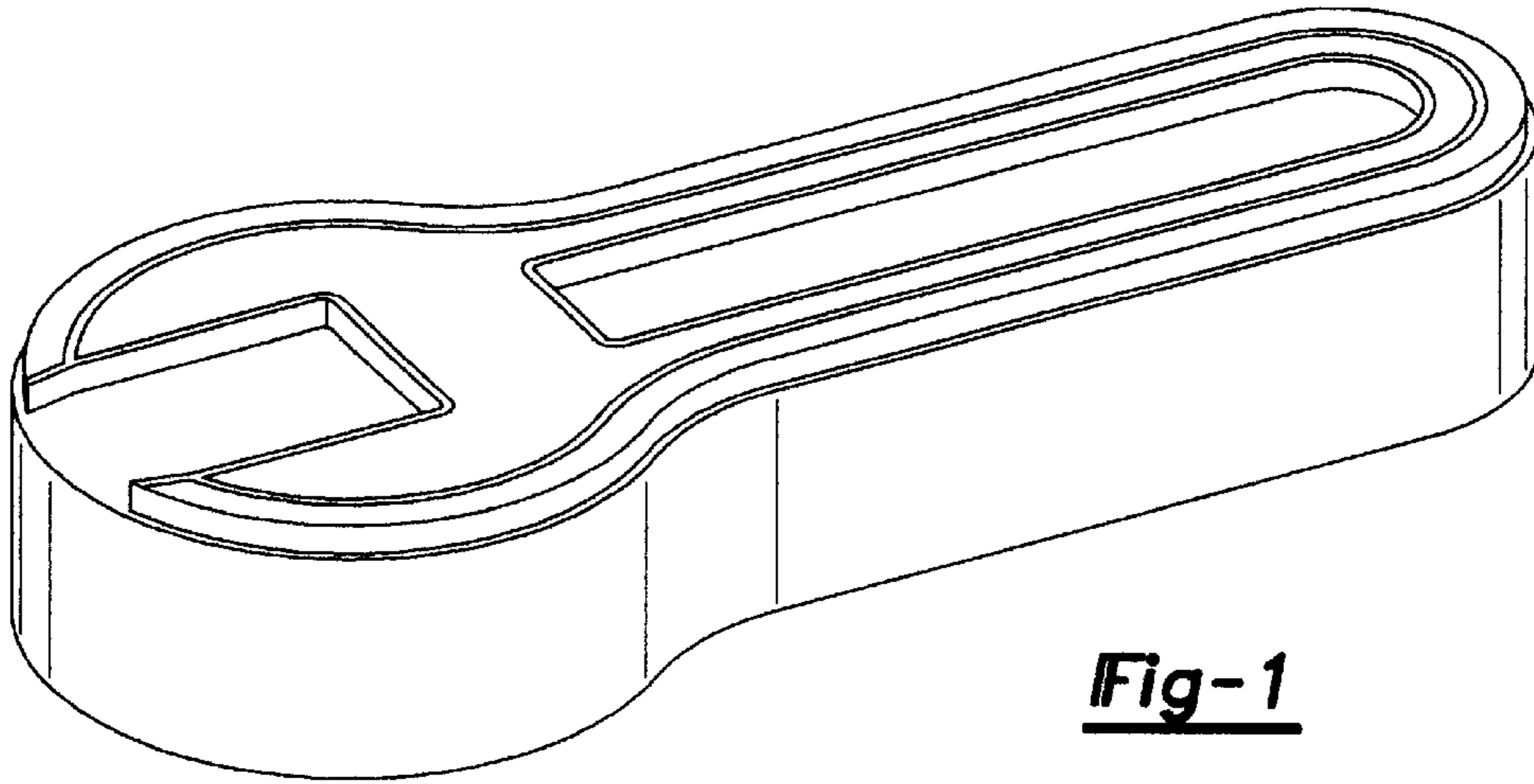


Fig-1

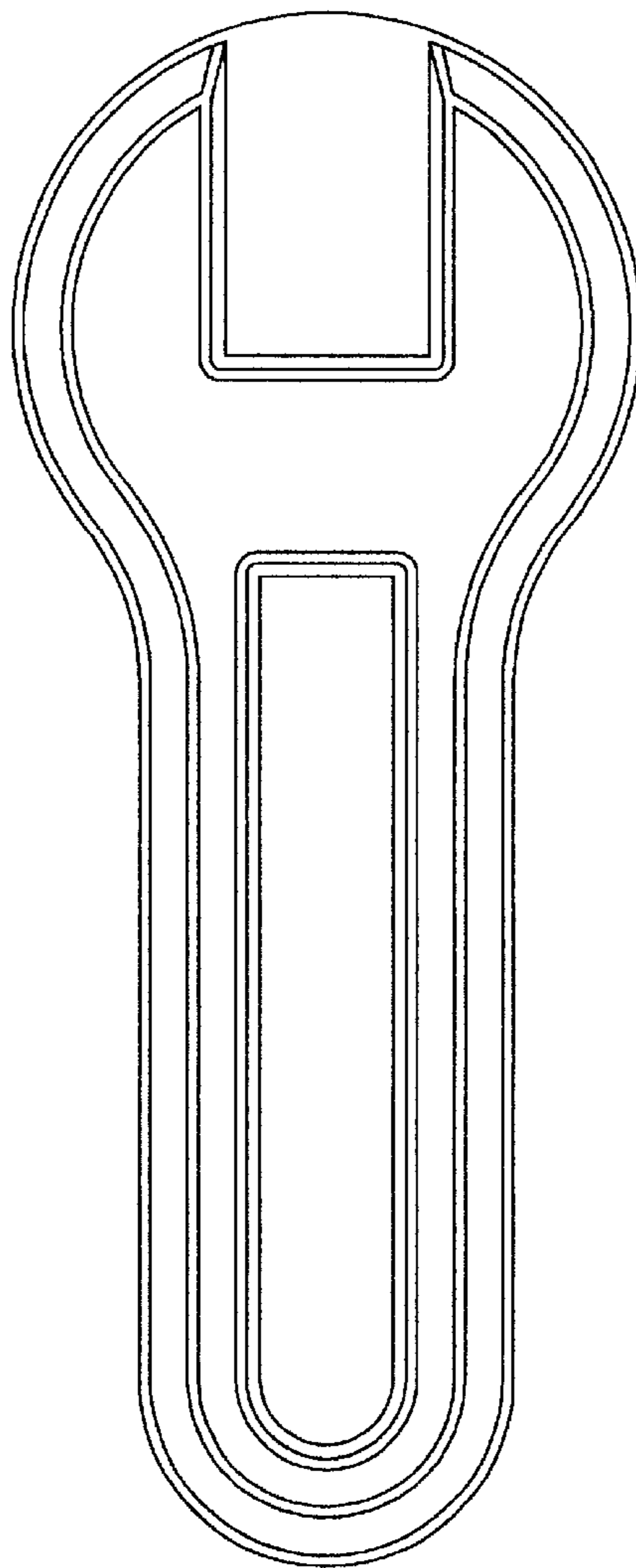


Fig-2

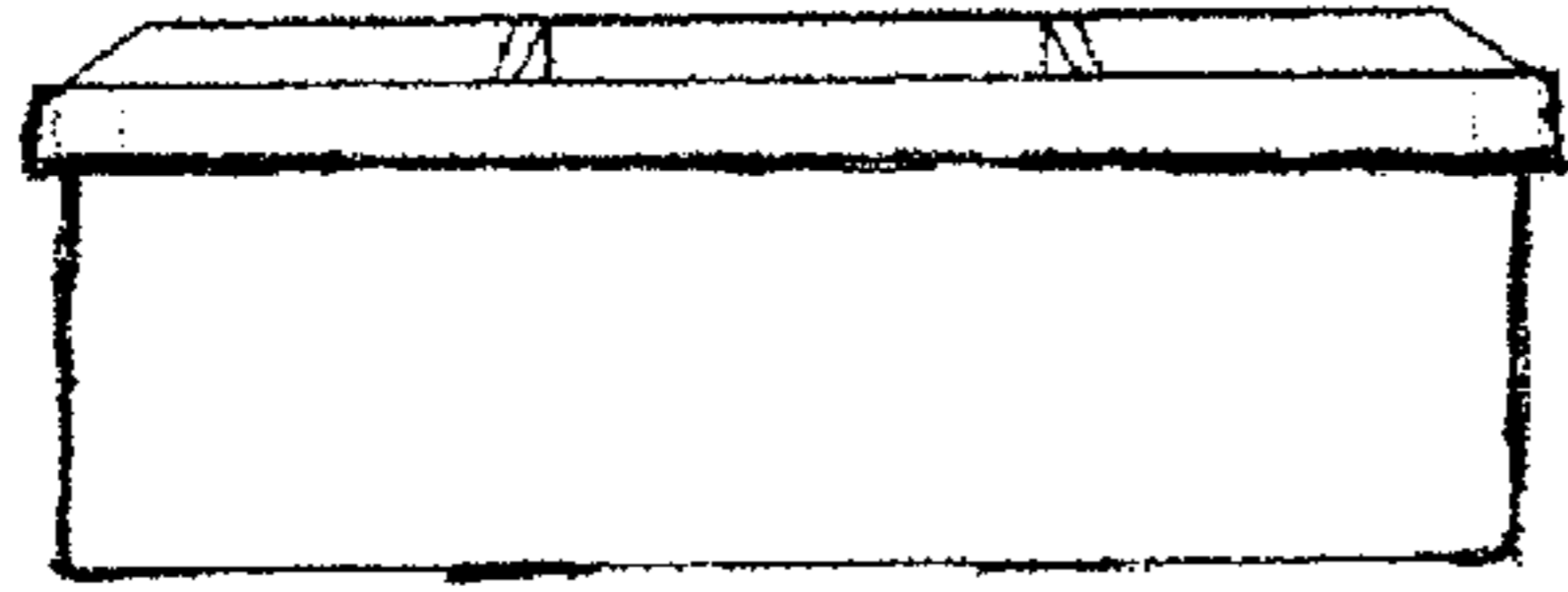


Fig-3

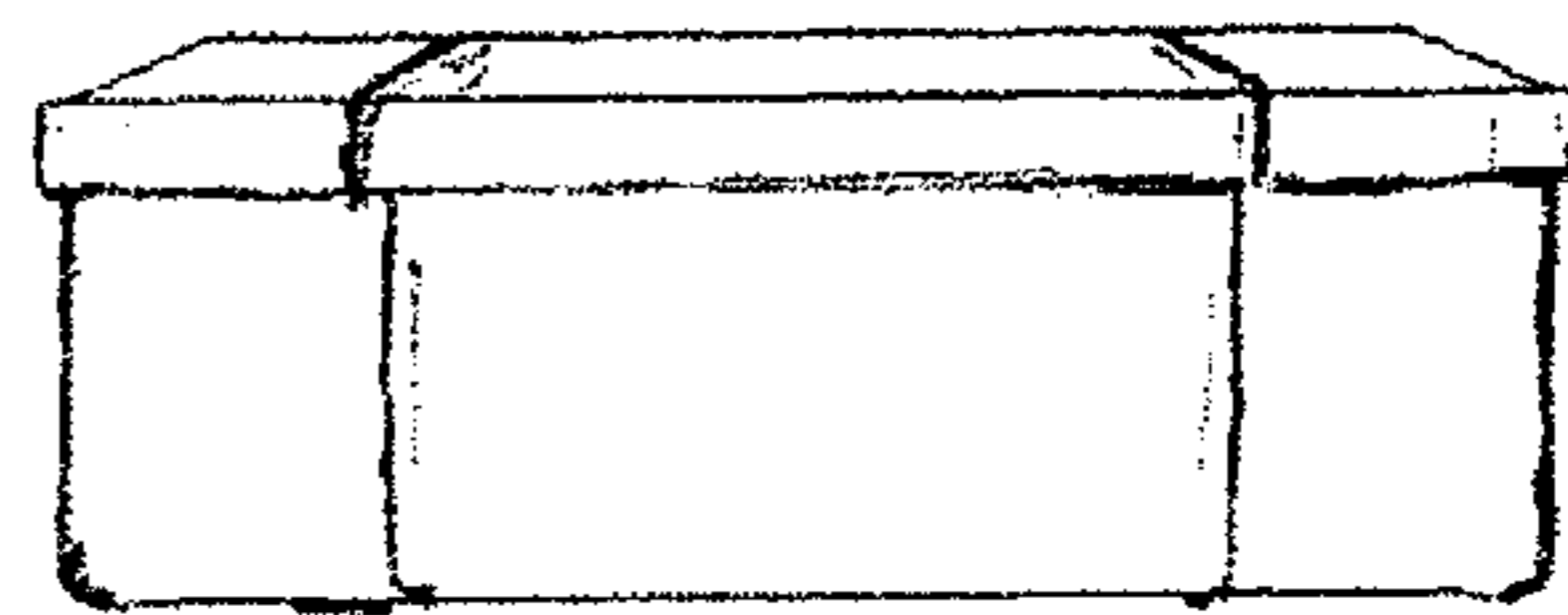


Fig-4

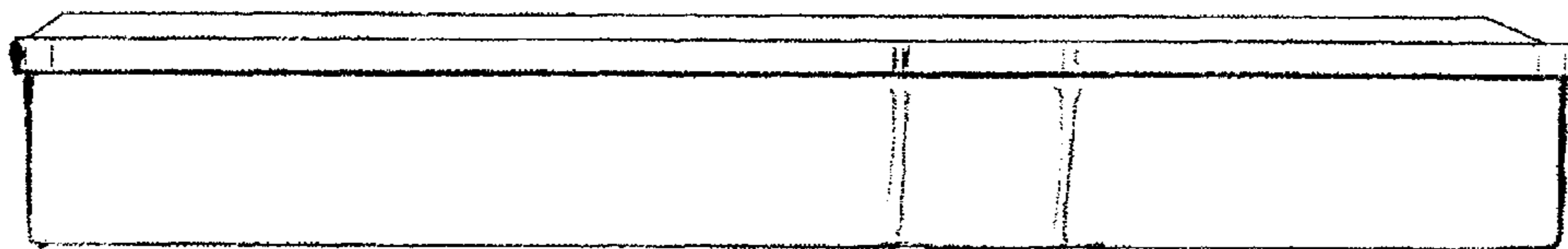


Fig-5