

US00D530219S

(12) **United States Design Patent** (10) **Patent No.:** **US D530,219 S**
Brandt et al. (45) **Date of Patent:** **** Oct. 17, 2006**

(54) **BOTTLE**

(75) Inventors: **Richard Brandt**, New York, NY (US);
Victor Hunt, Bernardardsville, NJ
(US); **Lou Antonucci**, Butler, NJ (US);
Christopher Cook, Newfoundland, NJ
(US)

(73) Assignee: **Diageo North America, Inc.**, Norwalk,
CT (US)

(**) Term: **14 Years**

(21) Appl. No.: **29/255,976**

(22) Filed: **Mar. 14, 2006**

Related U.S. Application Data

(62) Division of application No. 29/198,237, filed on Jan. 28,
2004.

(51) **LOC (8) Cl.** **09-01**

(52) **U.S. Cl.** **D9/667**

(58) **Field of Classification Search** D9/600,
D9/631, 667, 682, 686, 688-691, 693, 500,
D9/502-505, 516, 529-530, 537-540, 544-545,
D9/549, 552, 556, 558, 565, 572-574; 215/382-384,
215/396, 398; 220/660, 669, 675; 222/210,
222/212-213; D7/509-512

See application file for complete search history.

(56) **References Cited**

U.S. PATENT DOCUMENTS

1,222,765 A * 4/1917 Hudson 215/296
D80,868 S * 4/1930 Gallagher D9/667
D88,233 S * 11/1932 Koeppen D9/667
D210,514 S * 3/1968 Brammer D9/550
D353,998 S * 1/1995 Kotyuk, Jr. D9/503
D414,111 S * 9/1999 Herrmann D9/503
D452,442 S * 12/2001 Bowen D9/503

D456,243 S * 4/2002 Davis D9/667
D461,410 S * 8/2002 Zutler D9/500
D461,411 S * 8/2002 Zutler D9/500
D463,734 S * 10/2002 Gobe D9/691
D476,570 S * 7/2003 Silvers D9/500
D479,133 S * 9/2003 Quintero D9/551
D487,872 S * 3/2004 De Baschmakoff D9/500
D491,066 S * 6/2004 Le Goff D9/500
D508,856 S * 8/2005 Boon et al. D9/545
D509,433 S * 9/2005 Trayser et al. D9/505 X

FOREIGN PATENT DOCUMENTS

EM 000319397-0001 * 3/2005
EM 000337019-0001 * 4/2005
EM 000337019-0002 * 4/2005

* cited by examiner

Primary Examiner—Carol Rademaker

(74) *Attorney, Agent, or Firm*—Morgan, Lewis & Bockius

(57) **CLAIM**

The ornamental design for a bottle, as shown and described.

DESCRIPTION

FIG. 1 is a perspective view of a bottle according to our new design;

FIG. 2 is a front elevation view thereof;

FIG. 3 is a left side elevational view thereof, the right side elevational view being a mirror image;

FIG. 4 is a rear elevational view thereof;

FIG. 5 is a top plan view thereof;

FIG. 6 is a bottom plan view thereof;

FIG. 7 is a cross-section view taken along line 7—7 as shown in FIG. 2, shown at an enlarged scale; and,

FIG. 8 is a cross-section view taken along line 8—8 as shown in FIG. 2, shown at a reduced scale.

The broken lines shown in the drawings are for environmental purposes only and form no part of the claimed design.

1 Claim, 4 Drawing Sheets

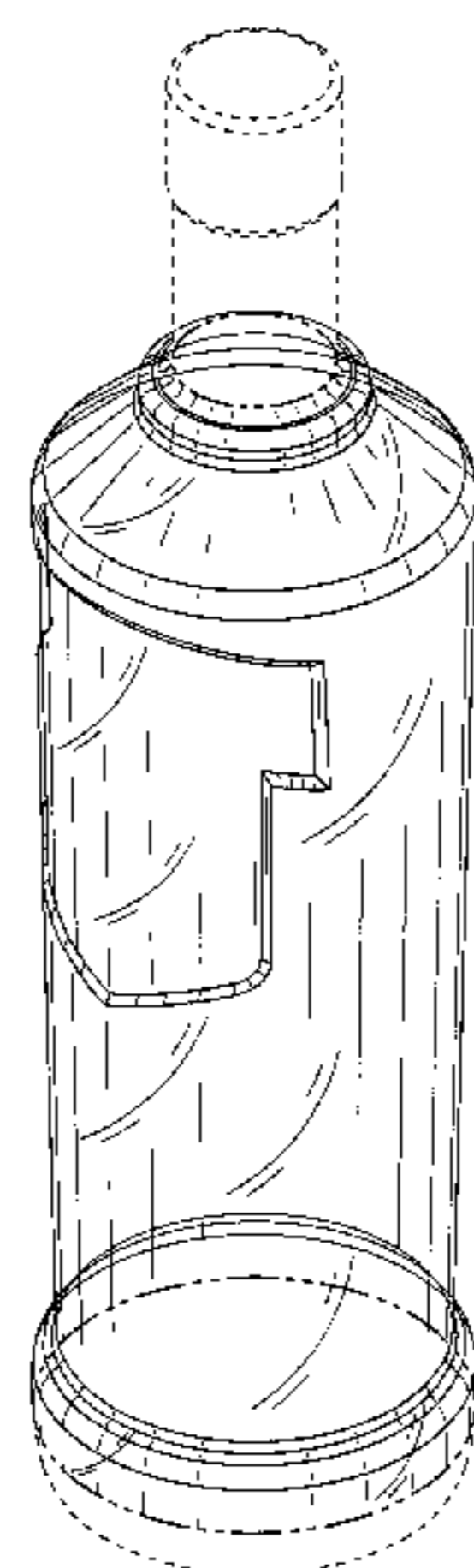


FIG. 1

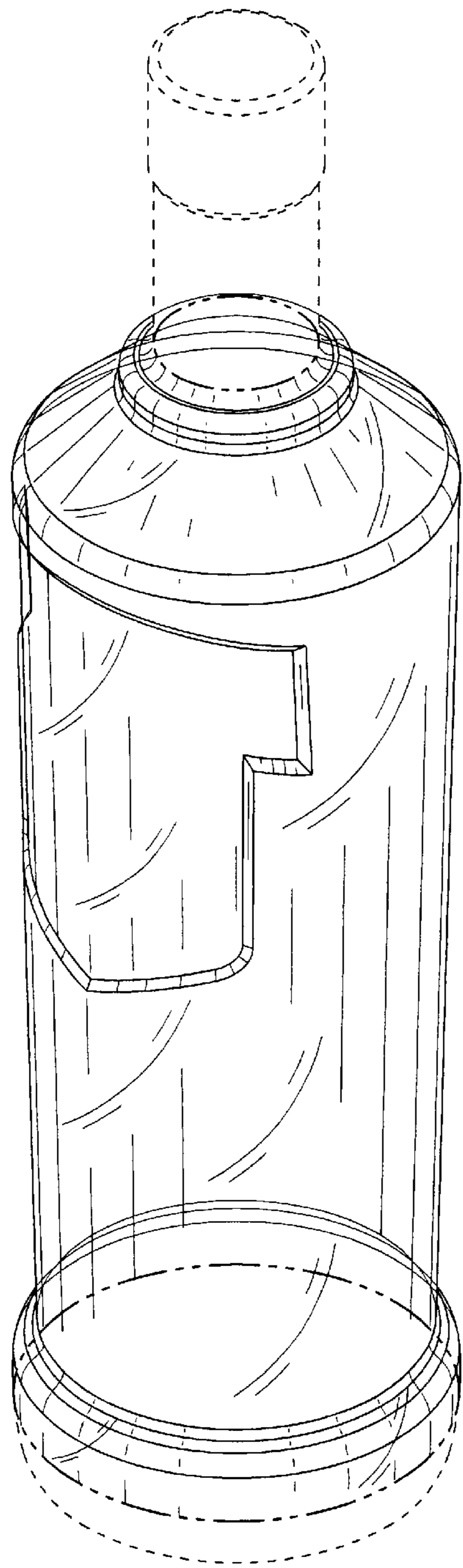
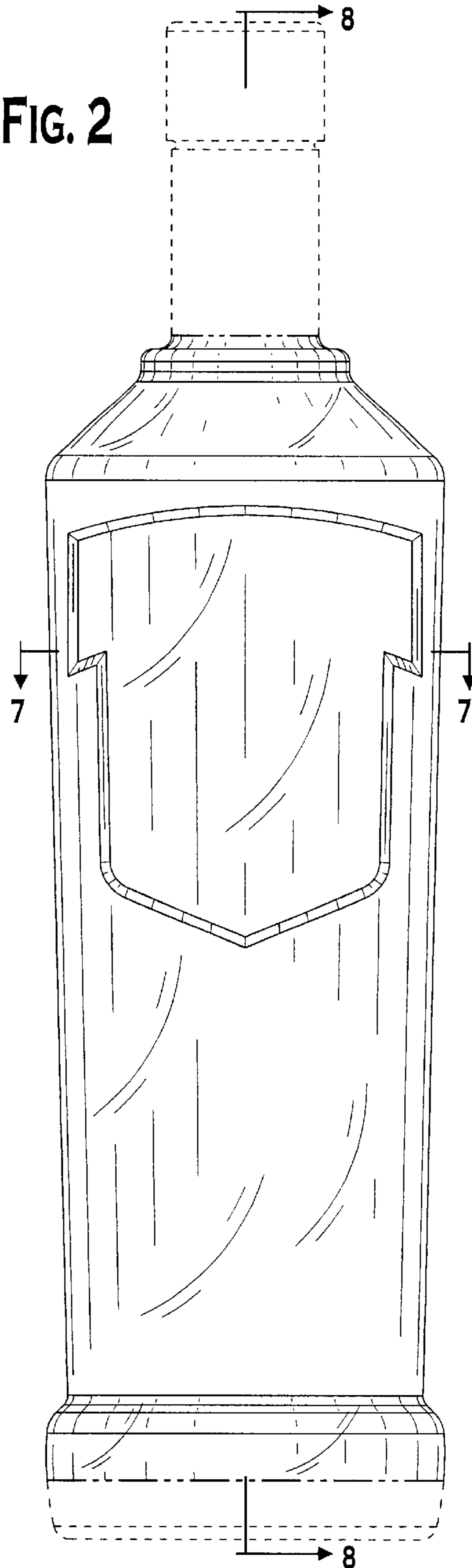


FIG. 2



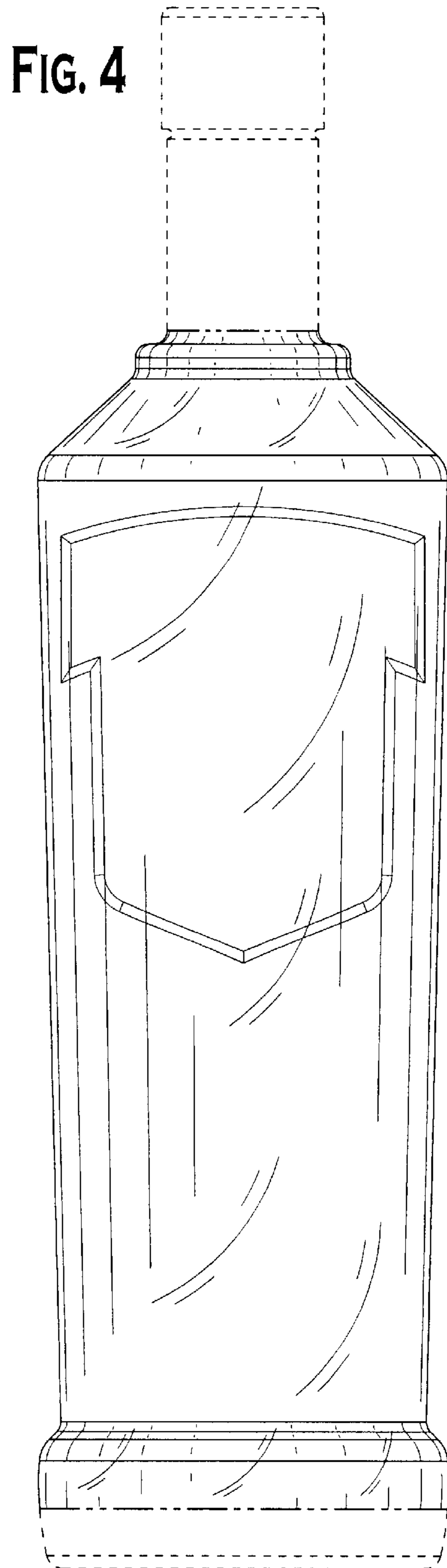
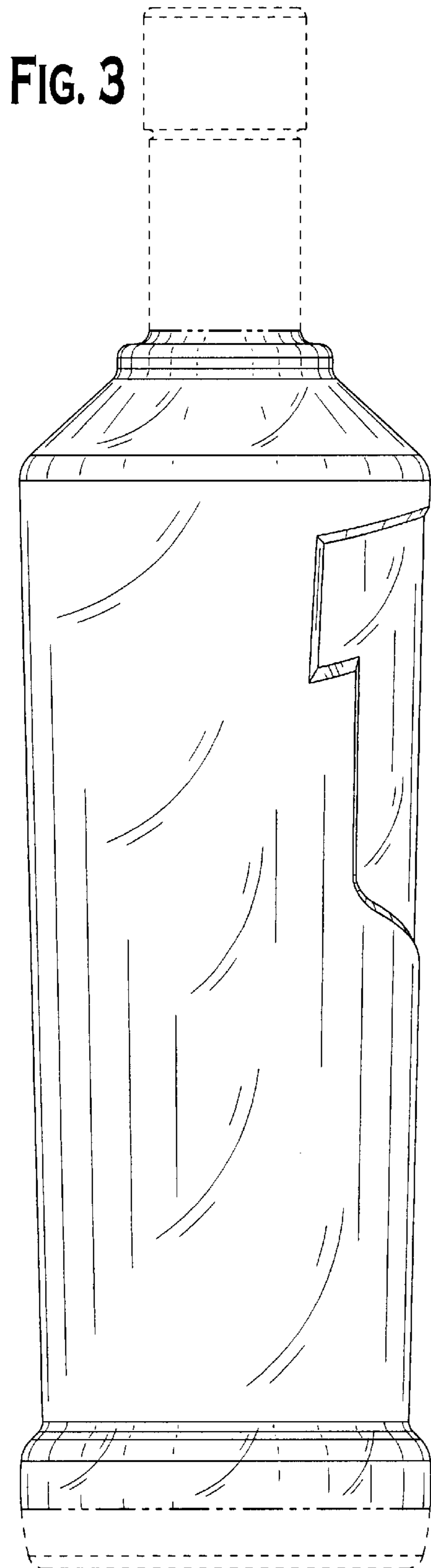


FIG. 5

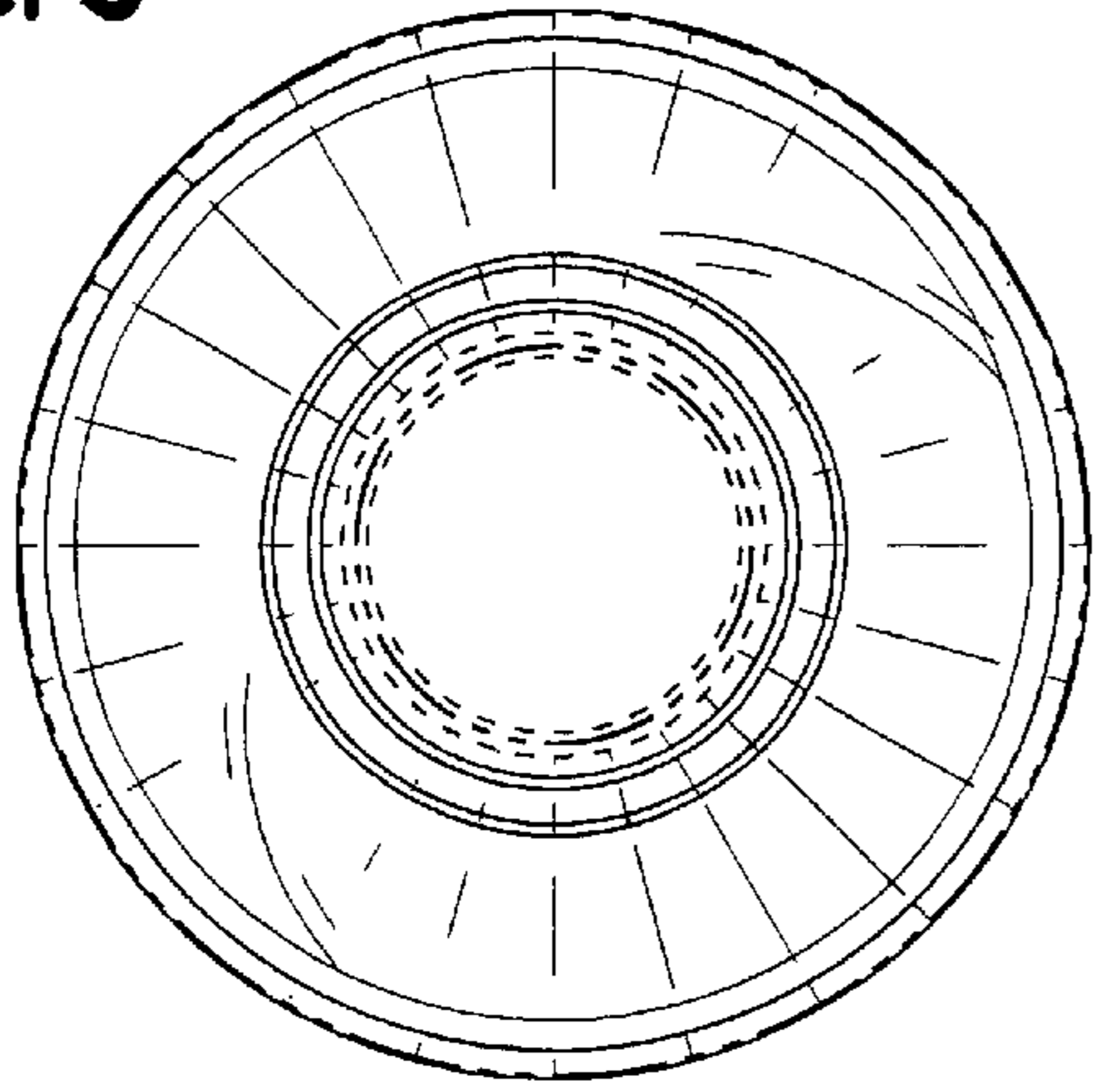


FIG. 6

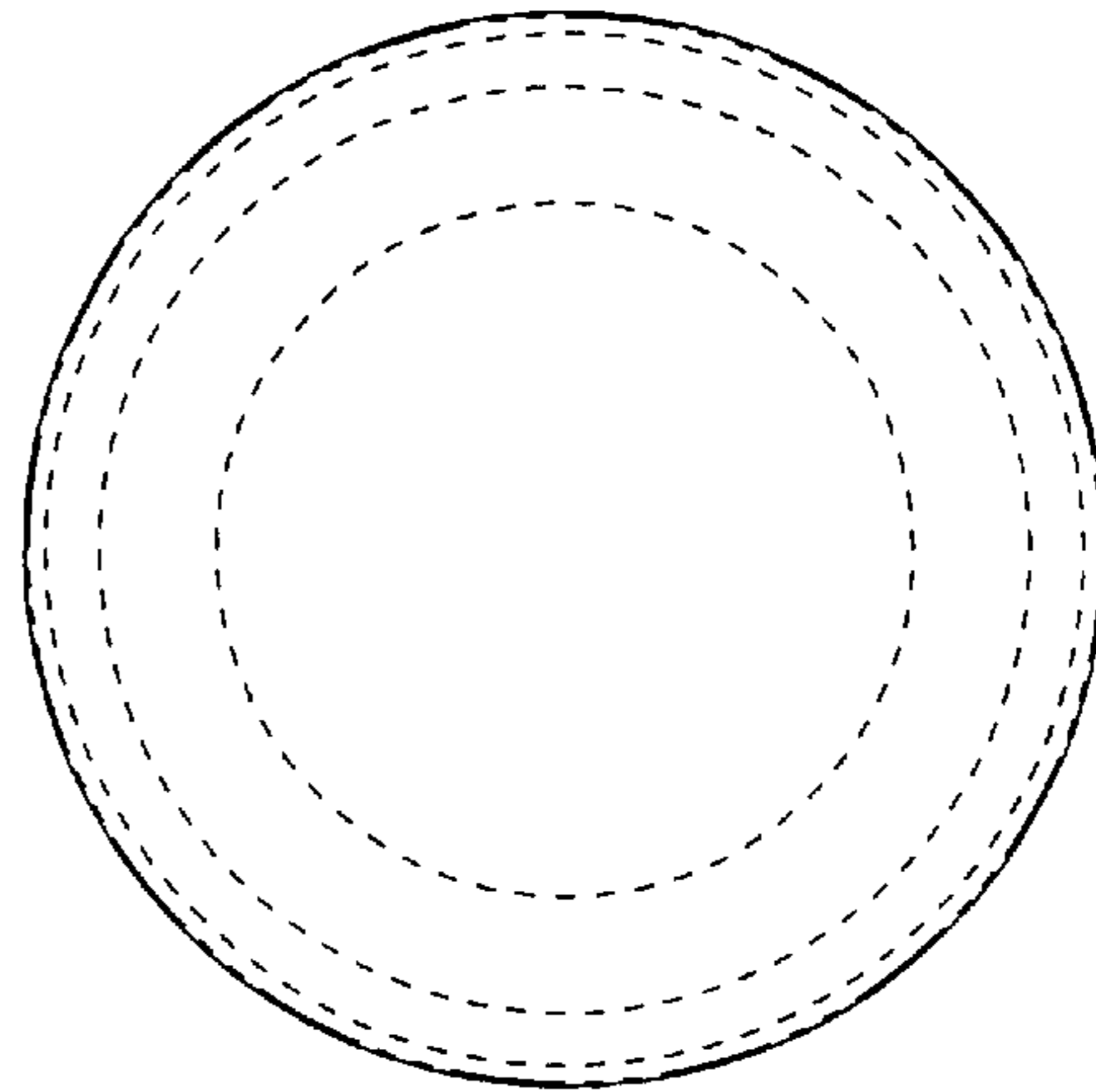


FIG. 7

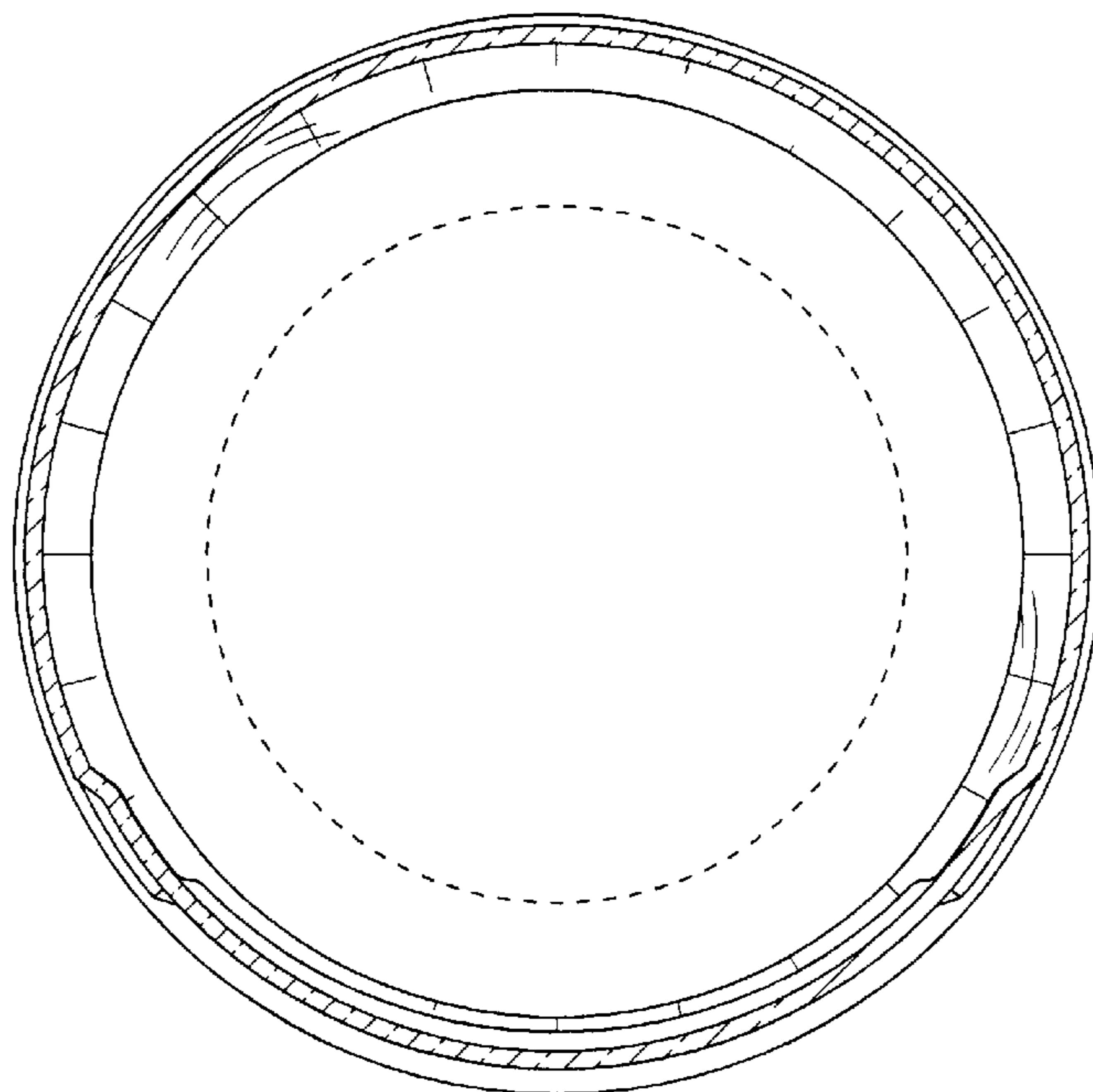


FIG. 8

