



US00D530216S

(12) **United States Design Patent**
Modjeski

(10) **Patent No.:** **US D530,216 S**
(45) **Date of Patent:** **** Oct. 17, 2006**

- (54) **BOTTLE WITH CAP**
- (75) Inventor: **Lara Modjeski**, Warren, NJ (US)
- (73) Assignee: **PRL USA Holdings, Inc.**, Wilmington, DE (US)
- (**) Term: **14 Years**
- (21) Appl. No.: **29/215,171**
- (22) Filed: **Oct. 14, 2004**
- (51) **LOC (8) Cl.** **09-01**
- (52) **U.S. Cl.** **D9/566; D9/573; D9/574**
- (58) **Field of Classification Search** D9/439, D9/516, 542, 544, 560, 566, 572-575, 686-687, D9/689, 694, 900; D28/91.1; D19/93; 215/355, 215/382-383; 220/660, 662, 669
See application file for complete search history.

- D481,957 S 11/2003 Modjeski
- D484,791 S * 1/2004 Sgariboldi D9/694
- D511,688 S * 11/2005 Baron D9/560
- D515,194 S * 2/2006 Chen D23/366

FOREIGN PATENT DOCUMENTS

WO DM/053156 * 7/2000

* cited by examiner

Primary Examiner—Ian Simmons
Assistant Examiner—Dana Sipos
(74) *Attorney, Agent, or Firm*—Baker Botts L.L.P.

(57) **CLAIM**

The ornamental design for a bottle with cap, as shown and described.

DESCRIPTION

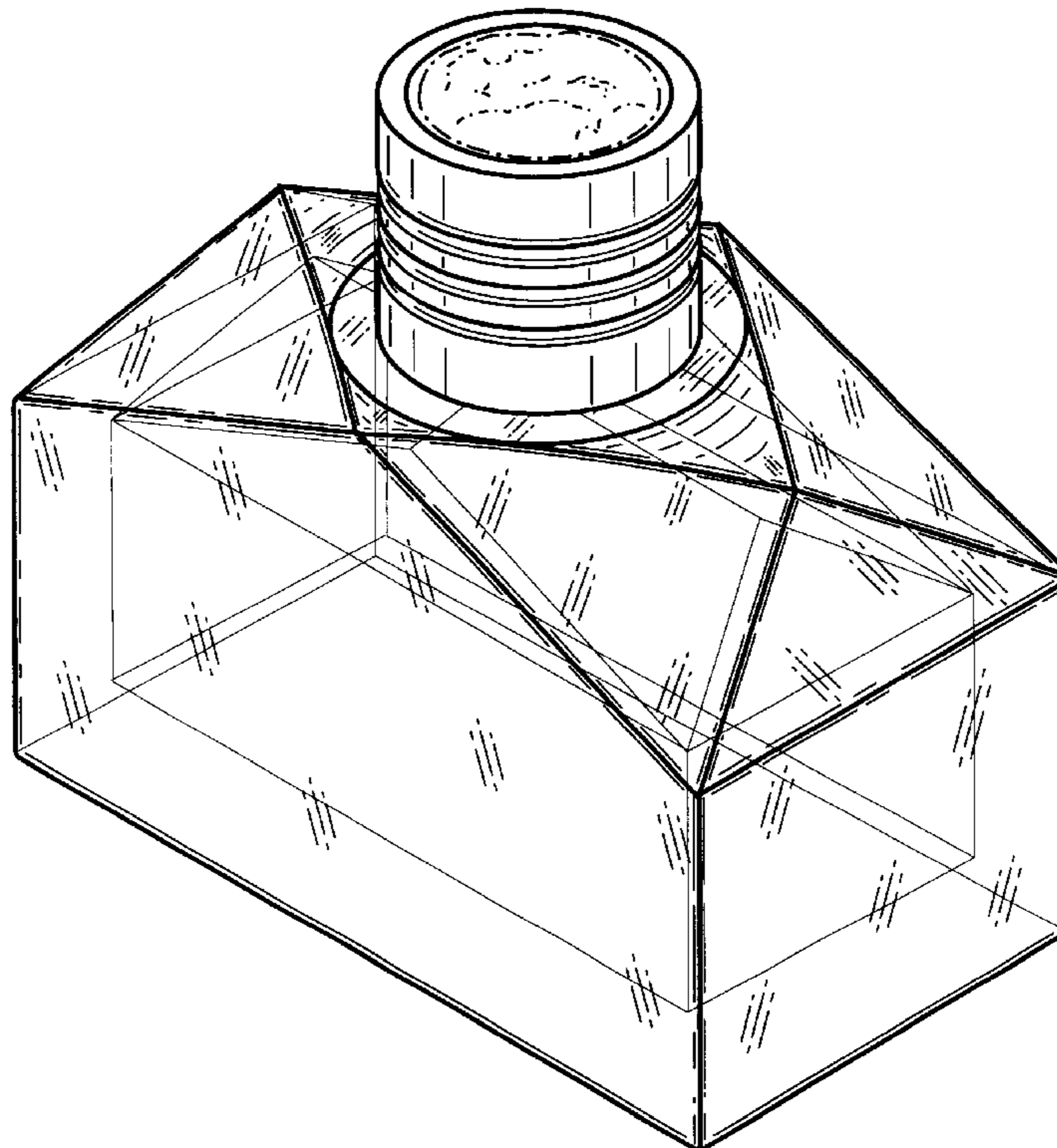
FIG. 1 is a three-dimensional perspective view of the bottle with cap;
FIG. 2 is a front view of the bottle with cap;
FIG. 3 is a top view of the bottle with cap;
FIG. 4 is a side view of the bottle with cap; and,
FIG. 5 is a bottom view of the bottle with cap.
The broken lines shown in the drawings are for illustrative purposes only and form no part of the claimed design.

(56) **References Cited**

U.S. PATENT DOCUMENTS

- D310,329 S * 9/1990 Schmidt D9/571
- D337,527 S * 7/1993 Klapwald D9/558
- D339,285 S * 9/1993 Burke D9/669
- D406,062 S * 2/1999 Brewer D9/520
- D459,660 S 7/2002 Burger
- D471,467 S * 3/2003 Kokubo et al. D9/566
- D477,999 S * 8/2003 Lloyd D9/414

1 Claim, 3 Drawing Sheets



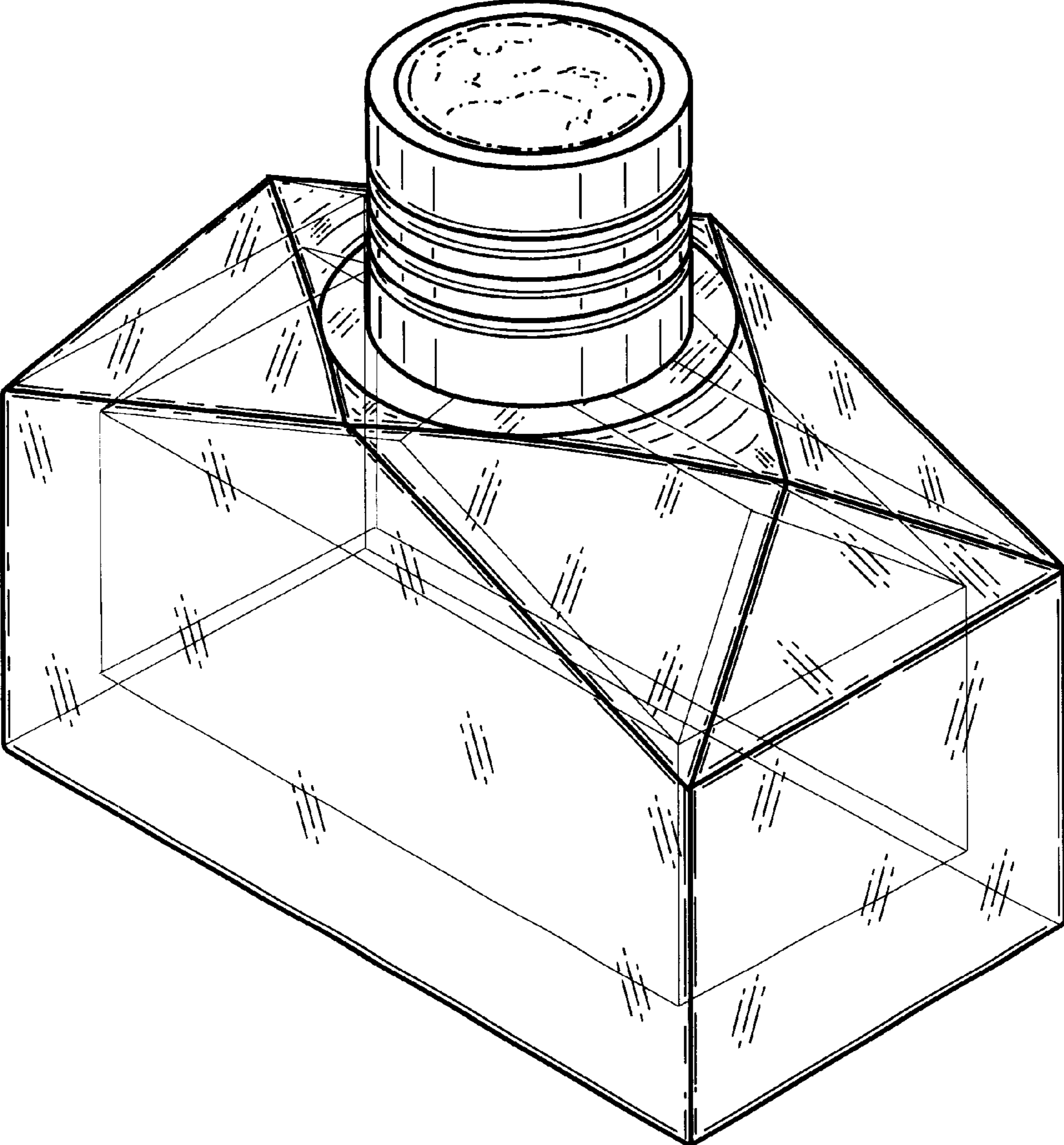


FIG. 1

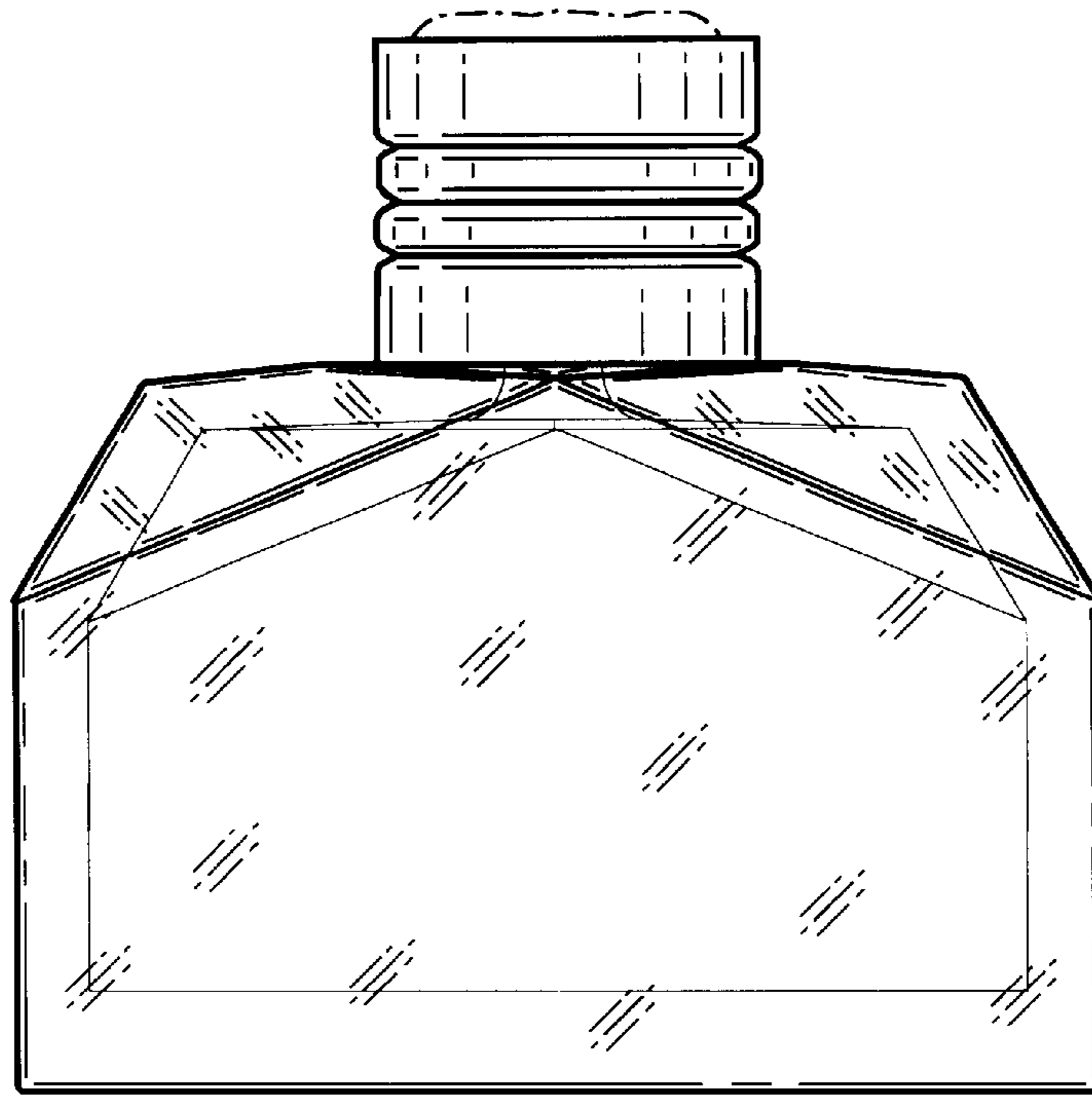


FIG. 2

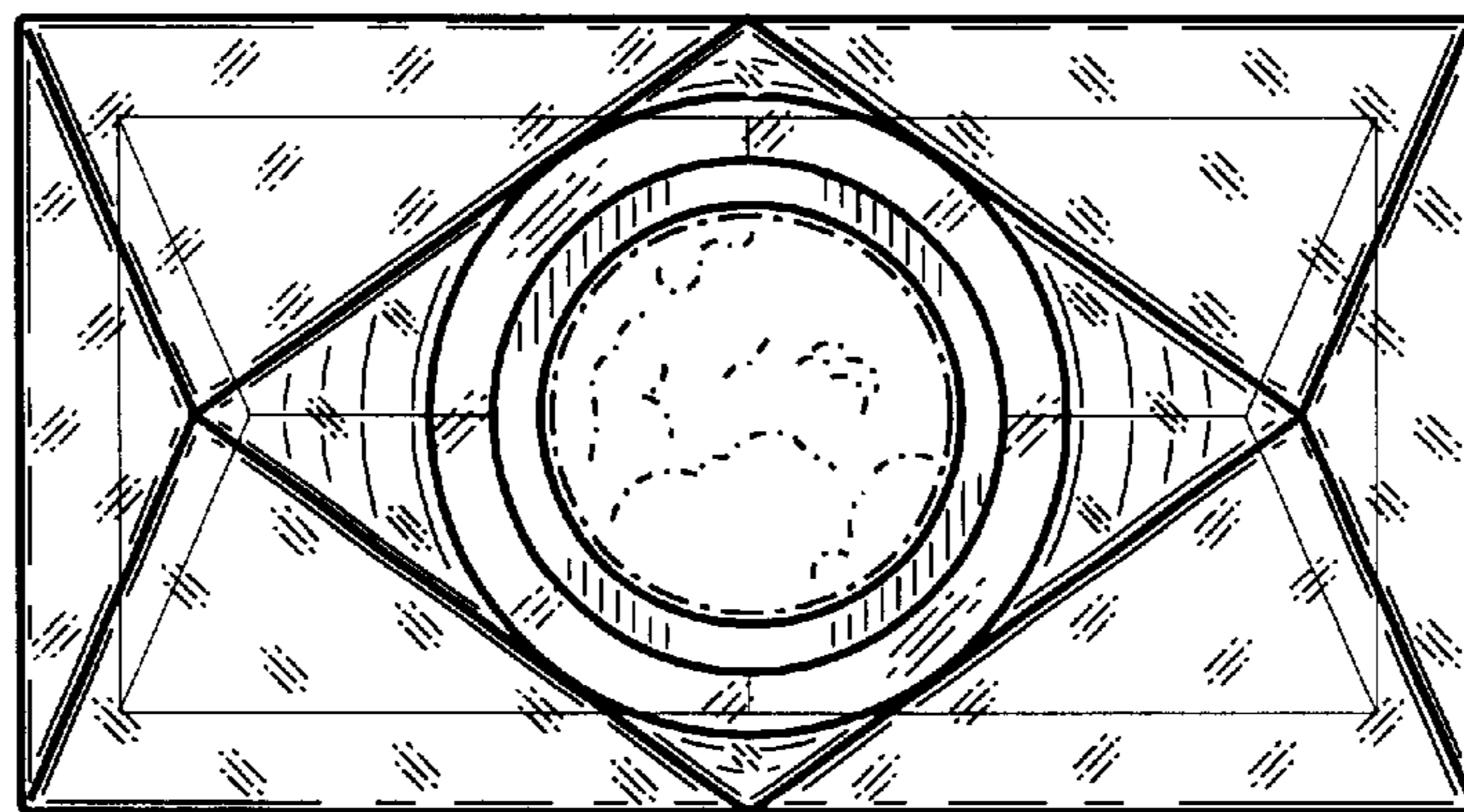


FIG. 3

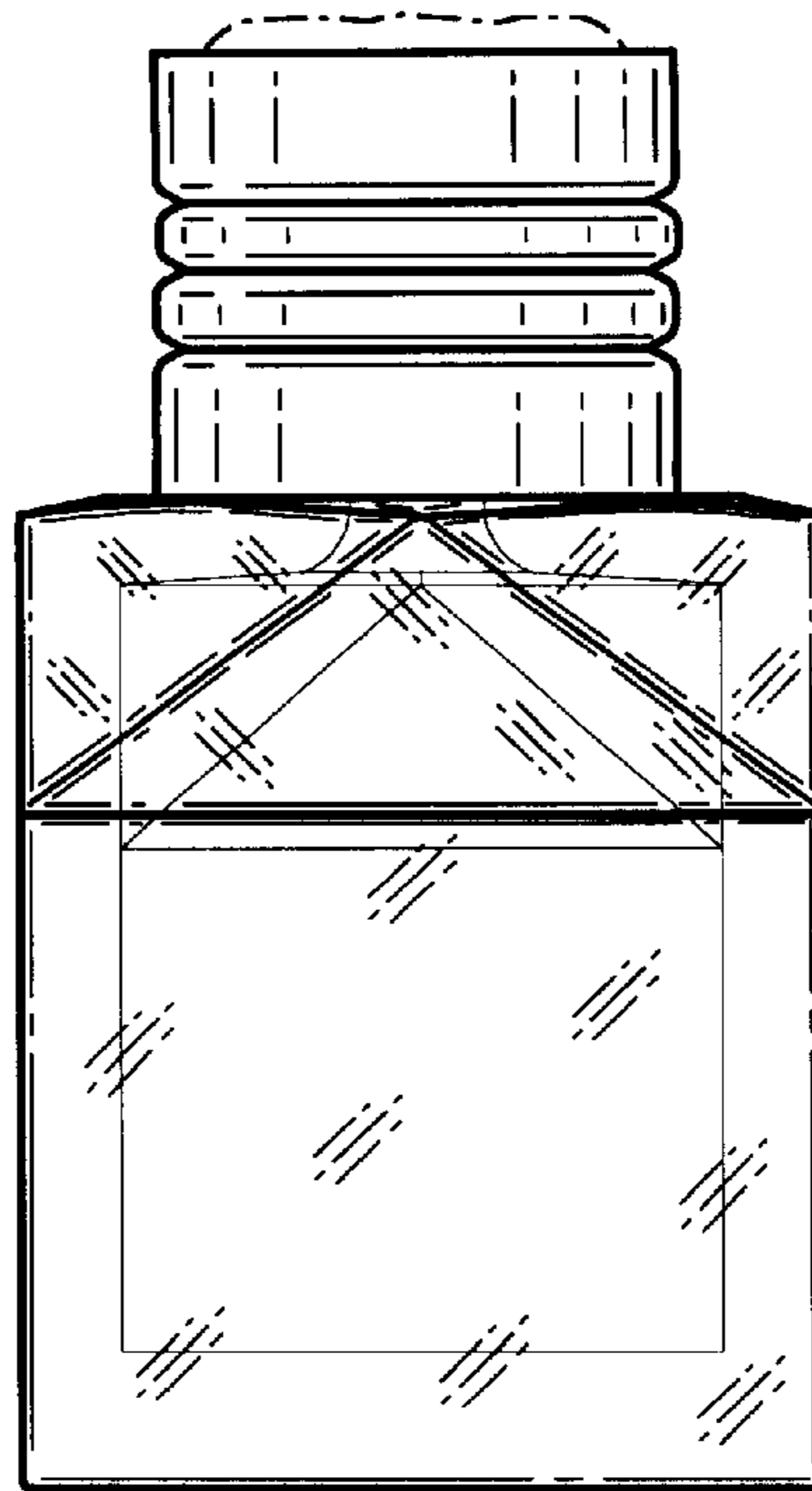


FIG. 4

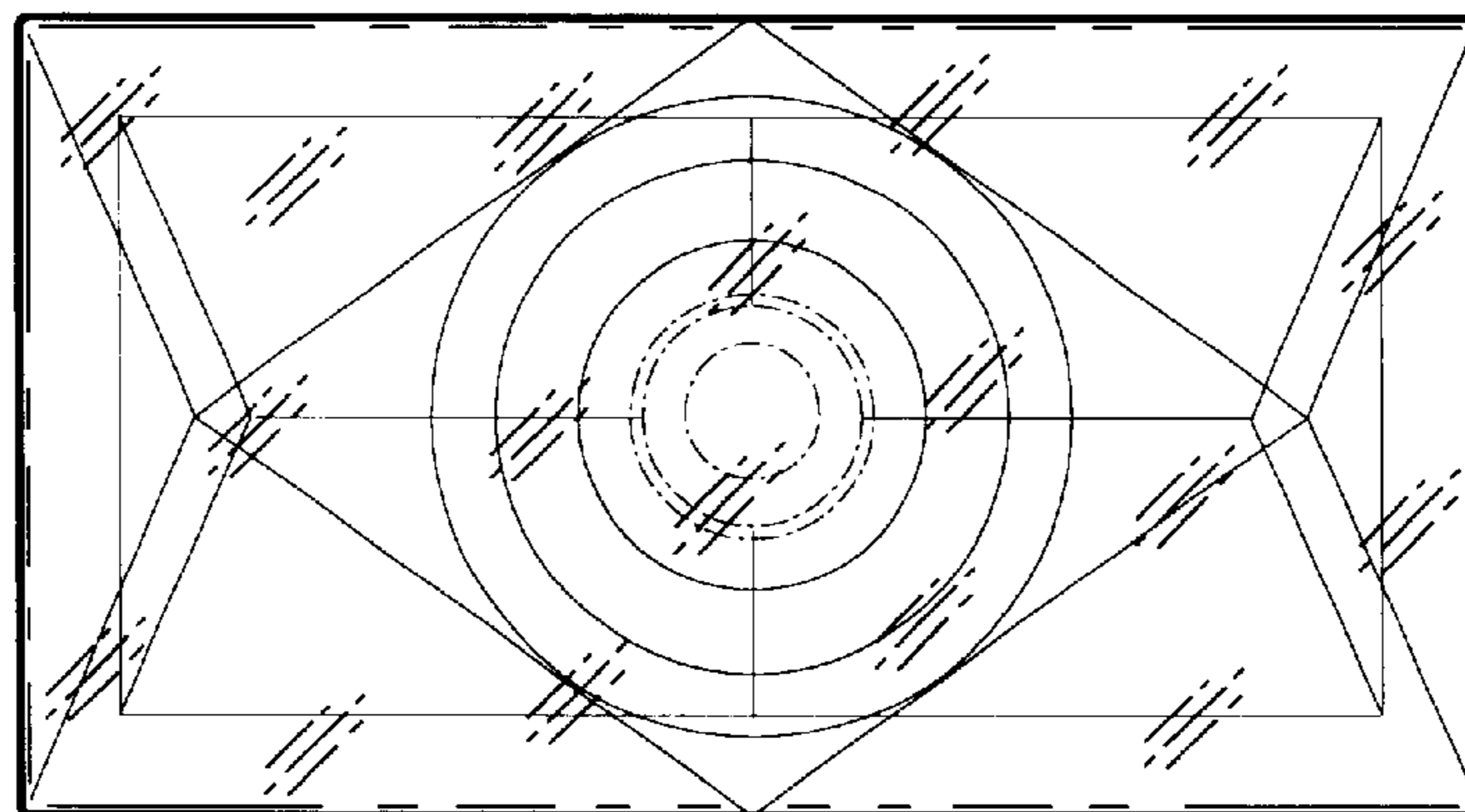


FIG. 5