



US00D530212S

(12) **United States Design Patent**
Darr et al.

(10) **Patent No.: US D530,212 S**

(45) **Date of Patent: ** Oct. 17, 2006**

(54) **CONTAINER**

(75) Inventors: **Richard C. Darr**, Medina, OH (US);
James J. Miller, Barberton, OH (US);
James C. Dorn, Norton, OH (US);
Richard A. Lovelace, Jr., Akron, OH (US)

(73) Assignee: **Plastipak Packaging, Inc.**, Plymouth, MI (US)

(**) Term: **14 Years**

(21) Appl. No.: **29/257,716**

(22) Filed: **Apr. 10, 2006**

Related U.S. Application Data

(62) Division of application No. 29/191,534, filed on Oct. 9, 2003.

(51) **LOC (8) Cl.** **09-01**

(52) **U.S. Cl.** **D9/543; D9/560; D9/563; D9/570; D9/571**

(58) **Field of Classification Search** D9/500, D9/502, 516, 523, 526, 528, 530-531, 534, D9/538-543, 549-554, 557-560, 562-567, D9/569-575, 636, 643, 645, 655, 657-658, D9/661, 664, 684, 738-747; 215/10, 381-384, 215/396, 398; 220/23.4

See application file for complete search history.

(56) **References Cited**

U.S. PATENT DOCUMENTS

3,225,950 A * 12/1965 Fulcher et al. 215/384
4,308,955 A * 1/1982 Schieser et al. 206/509
D264,942 S * 6/1982 Schieser et al. D9/563

D268,324 S * 3/1983 Gautier D9/560
D272,521 S * 2/1984 Glenn D9/563 X
D299,697 S * 2/1989 Frahm et al. D9/546
5,002,199 A * 3/1991 Frahm 215/383 X
D325,519 S * 4/1992 Proctor D9/522
D347,391 S * 5/1994 Guertin D9/566
D353,335 S * 12/1994 Cox D9/541
D373,537 S * 9/1996 Schirado D9/572
D400,794 S * 11/1998 Takeuchi et al. D9/532
D403,243 S * 12/1998 Takeuchi et al. D9/556 X
6,932,228 B1 * 8/2005 Darr et al. 220/23.4 X
D509,145 S * 9/2005 Dorn et al. D9/550
D514,947 S * 2/2006 Darr et al. D9/550
2004/0206718 A1 * 10/2004 Wetherell et al. 215/10
2005/0211662 A1 * 9/2005 Eaton et al. 215/384

* cited by examiner

Primary Examiner—Carol Rademaker

(74) *Attorney, Agent, or Firm*—Robert H. Bachman

(57) **CLAIM**

The ornamental design for a container, as shown and described.

DESCRIPTION

FIG. 1 is a perspective view of the container of the present invention showing the top, front and right side;

FIG. 2 is a perspective view of the container showing the top, rear and left side;

FIG. 3 is a front elevational view thereof;

FIG. 4 is a top plan view thereof;

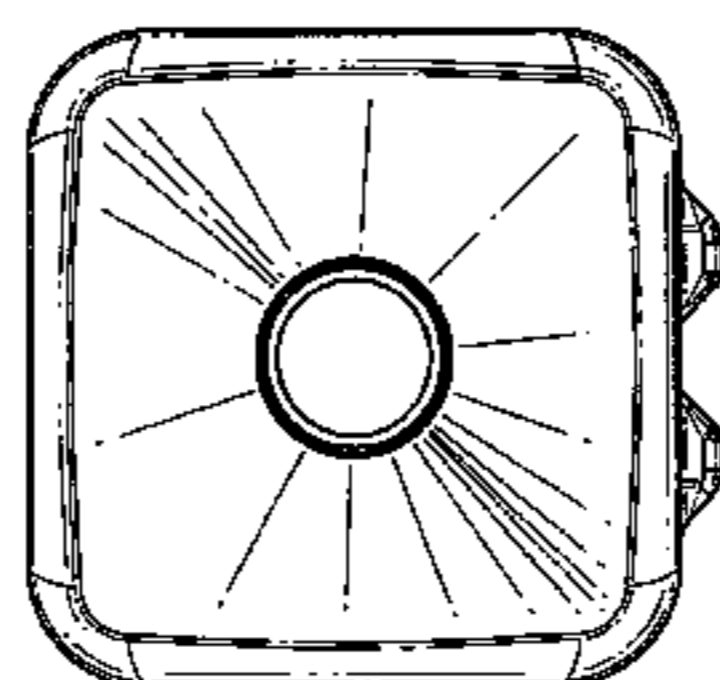
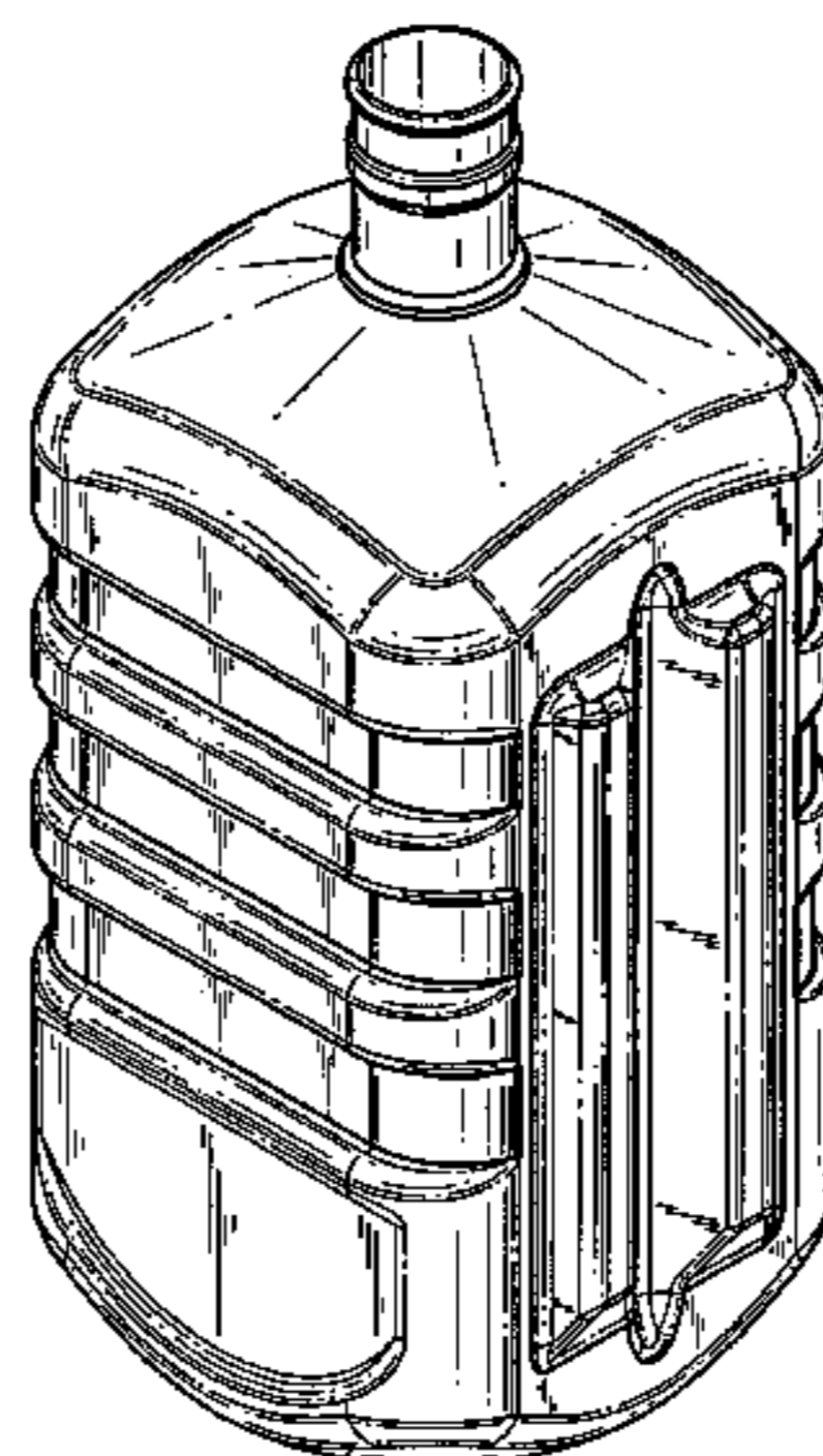
FIG. 5 is a bottom plan view thereof;

FIG. 6 is a right side elevational view thereof; and,

FIG. 7 is a left side elevational view thereof.

The broken lines in the drawings are for illustrative purposes only and form no part of the claimed design.

1 Claim, 3 Drawing Sheets



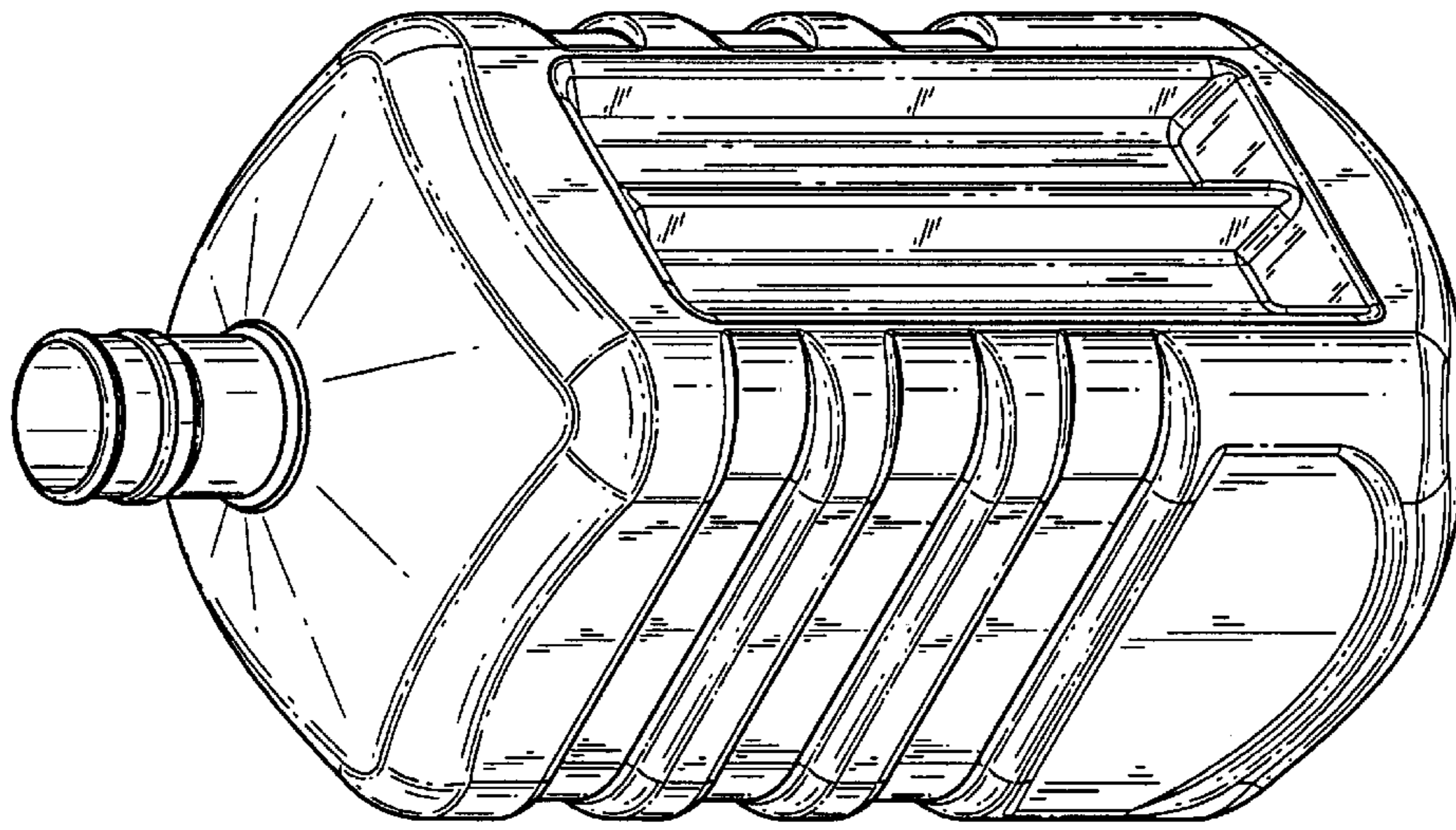


FIG. 2

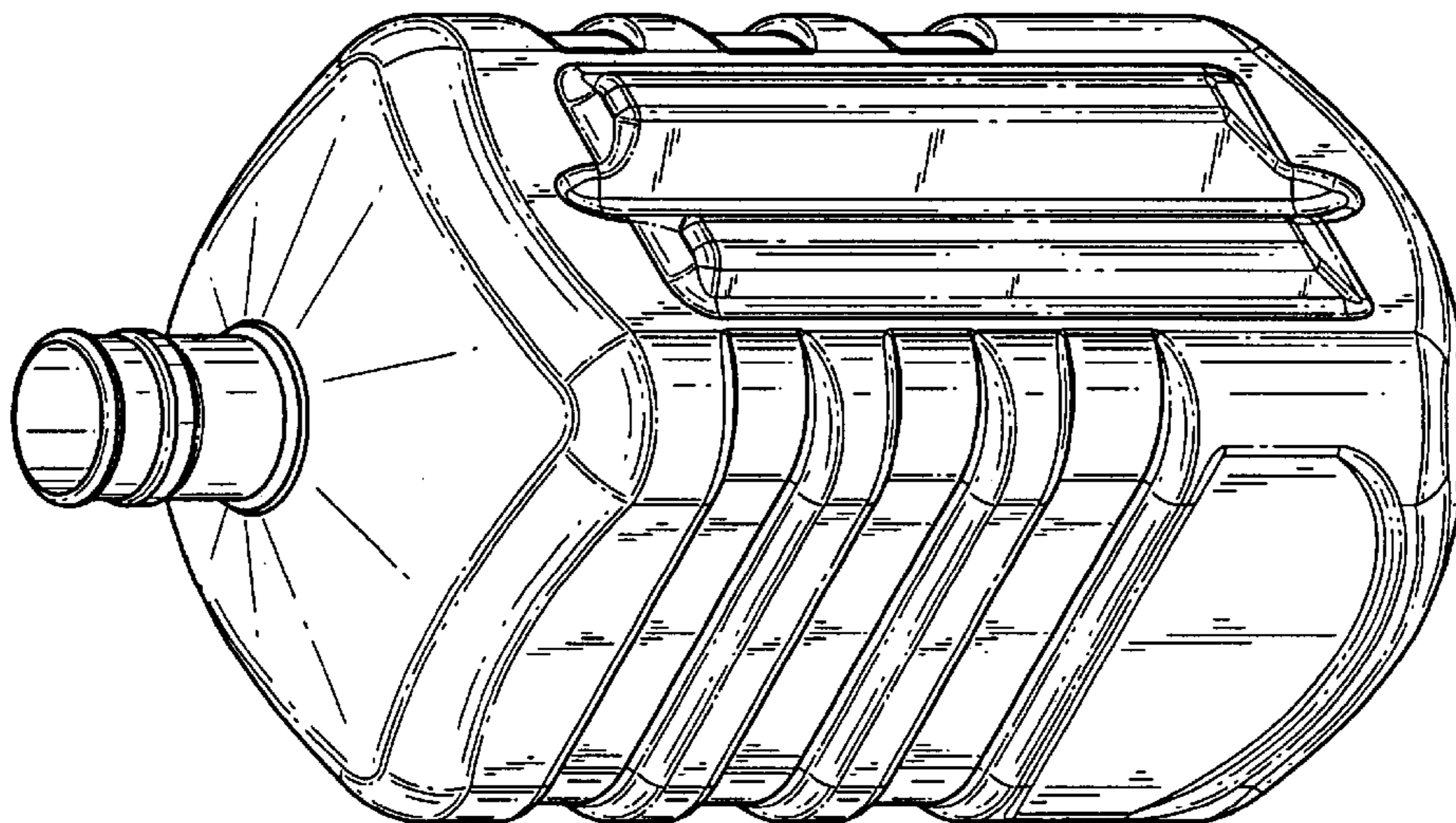


FIG. 1

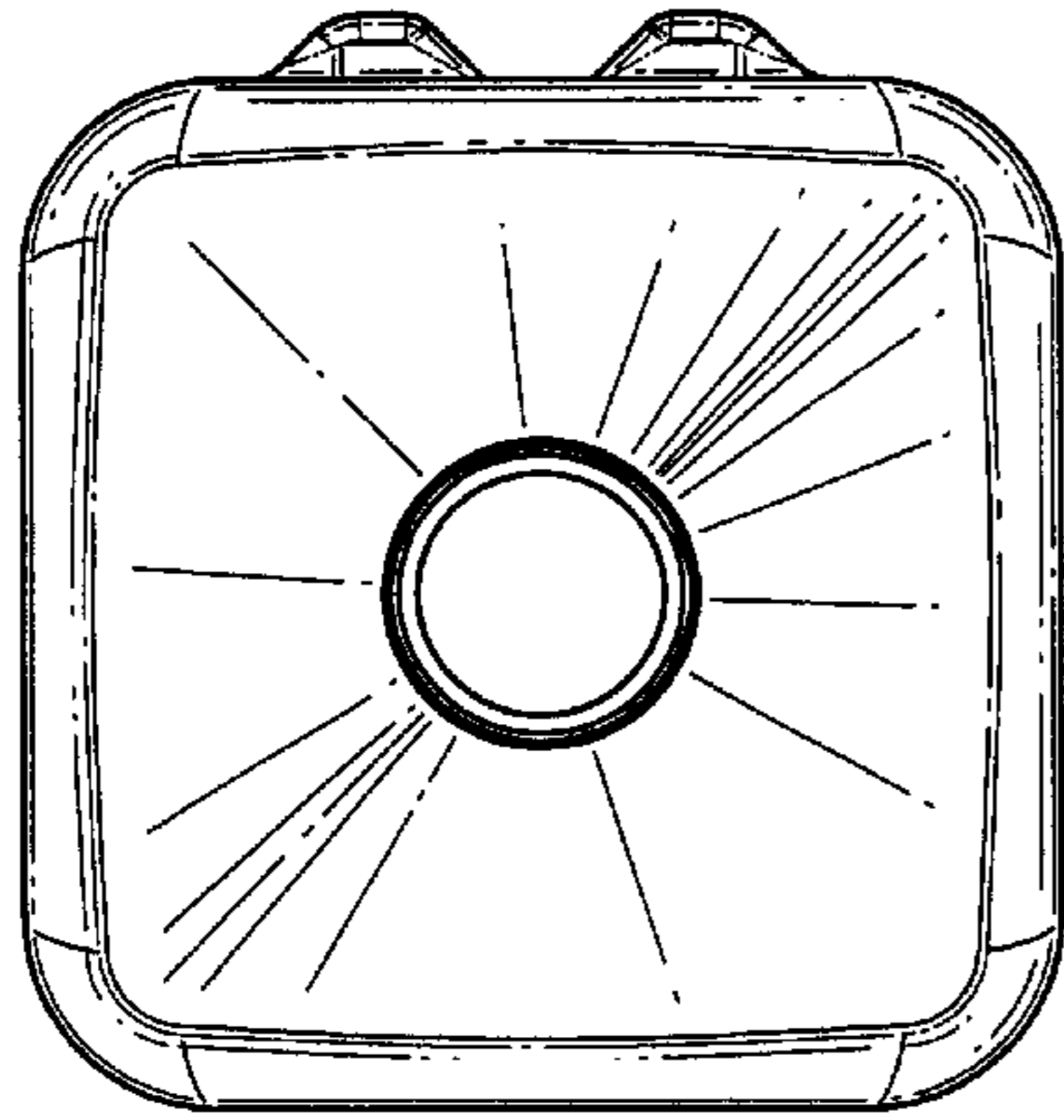


FIG. 4

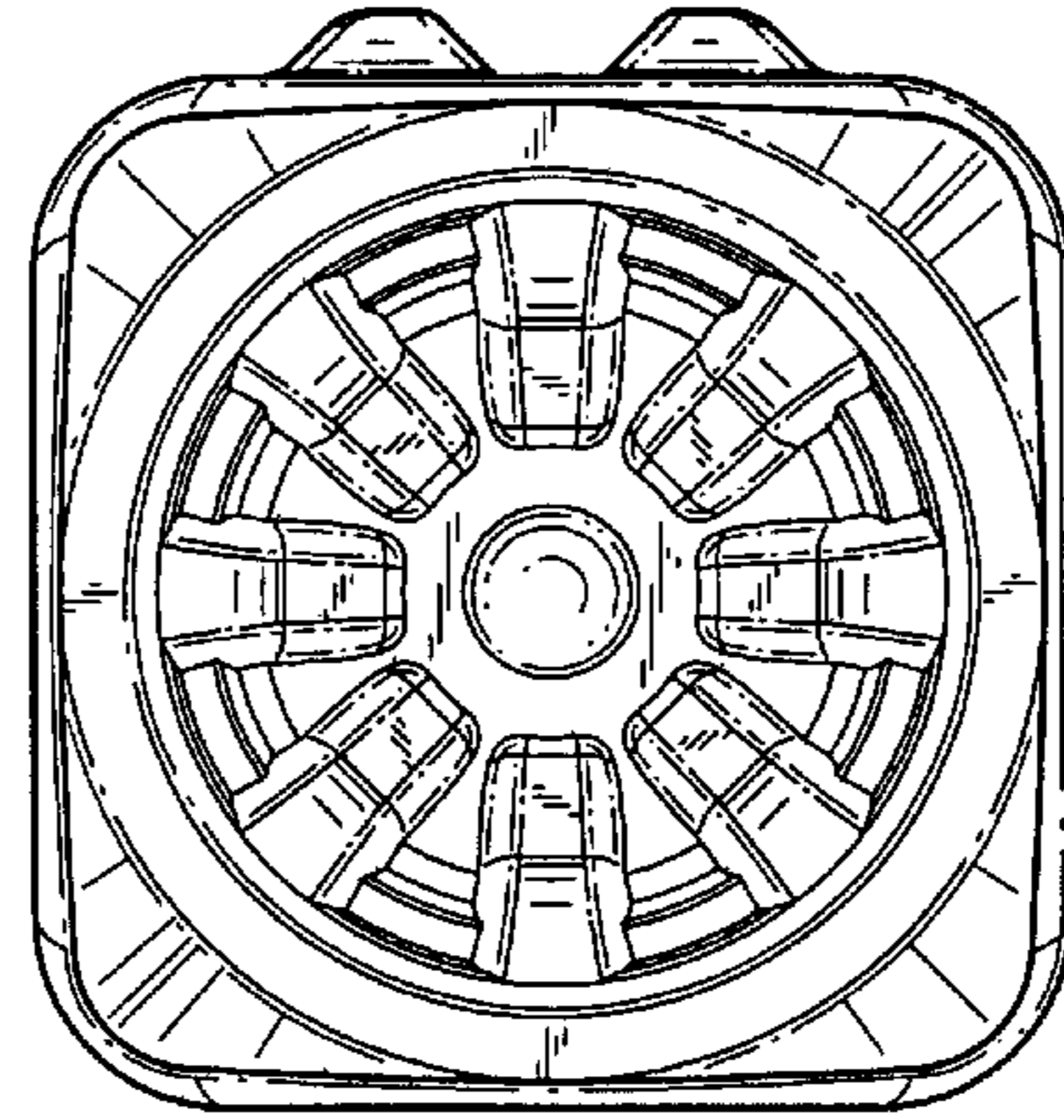


FIG. 5

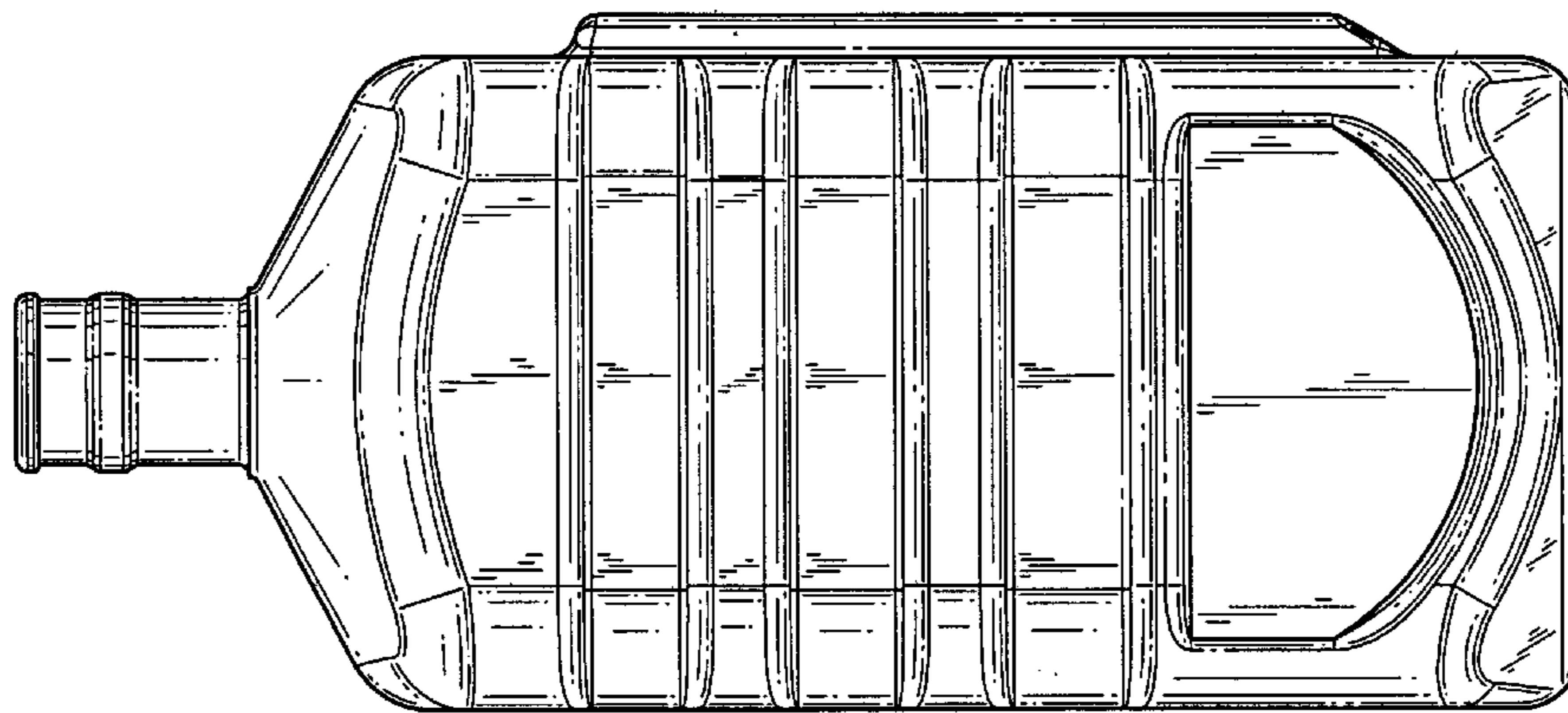


FIG. 3

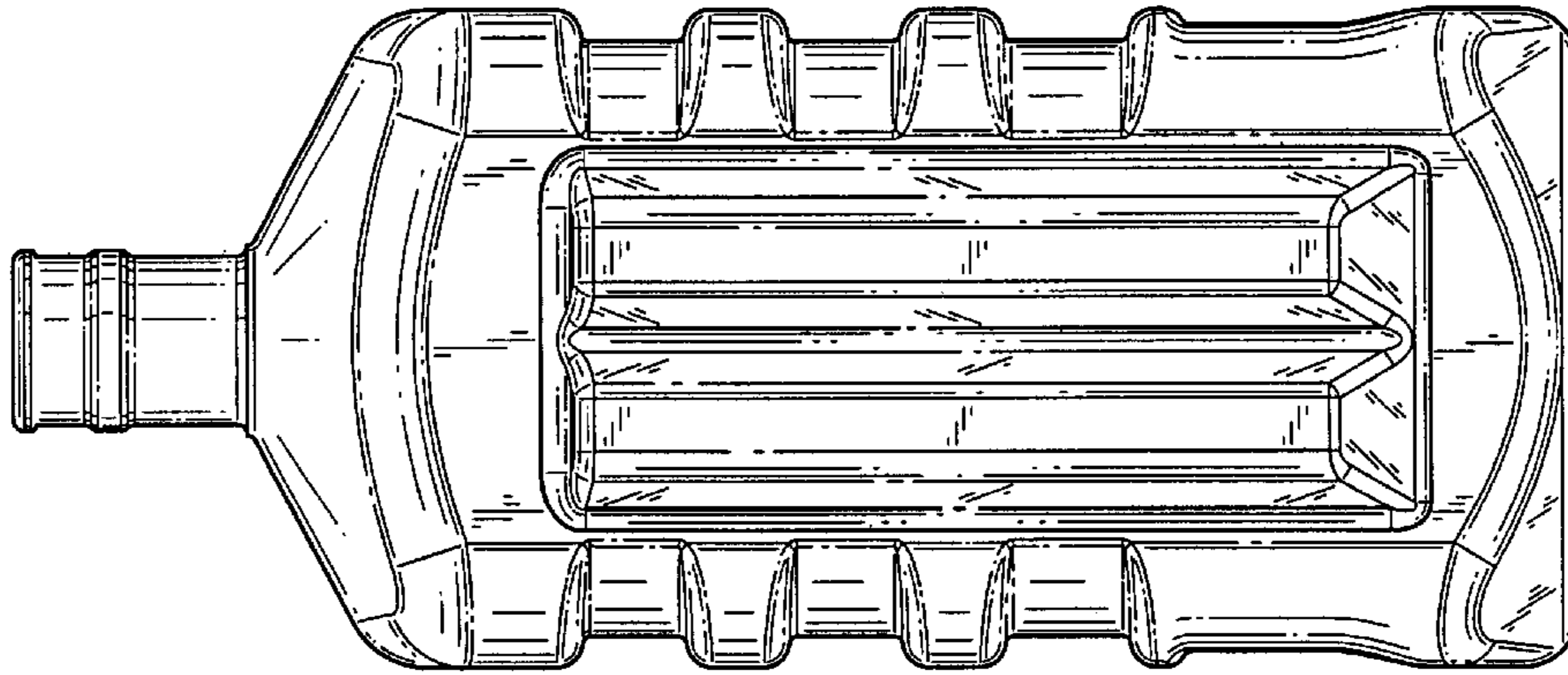


FIG. 7

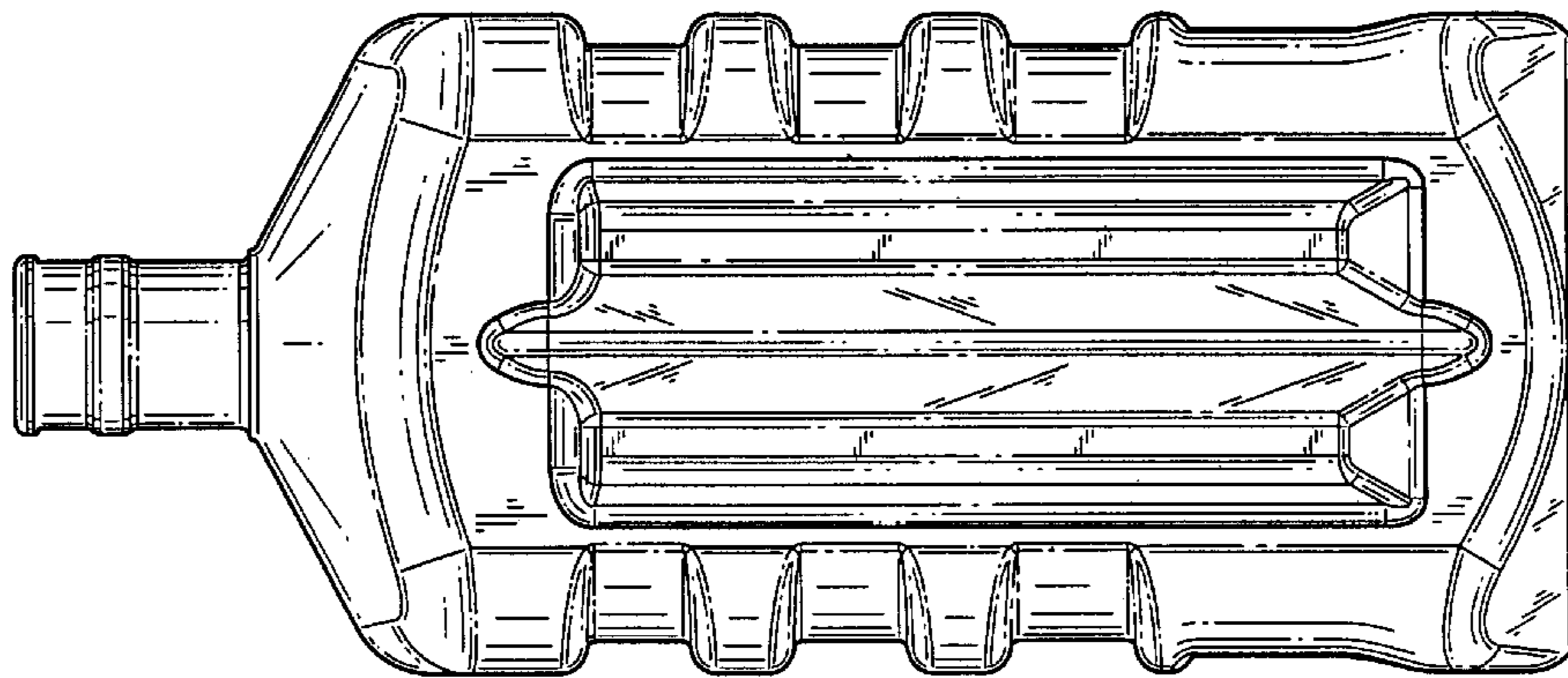


FIG. 6