



US00D530210S

(12) **United States Design Patent**  
**Chisholm**

(10) **Patent No.:** **US D530,210 S**

(45) **Date of Patent:** **\*\* Oct. 17, 2006**

(54) **CONTAINER**

(75) Inventor: **Brian J. Chisholm**, Toledo, OH (US)

(73) Assignee: **Graham Packaging Company, LP**,  
York, PA (US)

(\*\*) Term: **14 Years**

(21) Appl. No.: **29/217,677**

(22) Filed: **Nov. 22, 2004**

(51) **LOC (8) Cl.** ..... **09-01**

(52) **U.S. Cl.** ..... **D9/538; D9/552**

(58) **Field of Classification Search** ..... D9/682,  
D9/688-693, 500, 502-505, 516, 529-530,  
D9/537-539, 545-546, 549, 552, 556-558,  
D9/565, 569-570, 574-575; 215/382-384,  
215/396, 398; 220/660, 669-670, 375

See application file for complete search history.

(56) **References Cited**

**U.S. PATENT DOCUMENTS**

- D3,141 S \* 7/1868 Powell et al. .... D9/552
- D15,593 S 12/1884 Stickney
- D64,152 S 3/1924 Sweeney
- D76,354 S 9/1928 Reid
- D88,504 S \* 12/1932 Delaize ..... D9/552
- D153,194 S 3/1949 Wiedhopf
- D155,868 S 11/1949 Braun
- 2,797,844 A \* 7/1957 Meek ..... 239/58
- D185,296 S 5/1959 Mas
- D187,302 S 2/1960 Campbell
- D187,345 S \* 3/1960 Fuerst ..... D9/552
- D195,063 S 4/1963 Lilling
- D209,931 S 1/1968 Sterges
- D212,276 S 9/1968 Lodding
- D214,158 S 5/1969 Pettengill
- D222,336 S 10/1971 Leary
- D224,383 S \* 7/1972 Mascia ..... D9/506
- D250,574 S \* 12/1978 Boyle ..... D9/537
- D286,617 S 11/1986 Goodwin et al.
- D314,136 S 1/1991 Malvoisin
- D319,581 S \* 9/1991 Halm ..... D9/515
- D378,725 S \* 4/1997 Ventus ..... D7/510

- D386,401 S \* 11/1997 Prestia et al. .... D9/552
- D389,068 S \* 1/1998 Hooker ..... D9/552
- 5,704,504 A 1/1998 Bueno
- D409,482 S \* 5/1999 Jacobs ..... D9/601
- 5,935,505 A 8/1999 Whetten et al.
- D420,588 S 2/2000 Fitelson et al.
- D425,371 S \* 5/2000 Kerr ..... D7/519
- D430,493 S 9/2000 Weick
- D434,668 S 12/2000 Chimetto et al.
- D463,288 S \* 9/2002 Payer ..... D9/552
- D466,415 S \* 12/2002 Reis ..... D9/552
- D479,131 S 9/2003 Warner et al.
- 2002/0008077 A1 1/2002 Lane et al.

**FOREIGN PATENT DOCUMENTS**

- GB 1019861 \* 11/1984
- GB 2053954 \* 8/1996
- GB 2060148 \* 2/1997
- GB 2074206 \* 8/1998
- GB 2073063 \* 10/1998

\* cited by examiner

*Primary Examiner*—Carol Rademaker

(74) *Attorney, Agent, or Firm*—Kudirka & Jobse, LLP

(57) **CLAIM**

I claim the ornamental design for a container, as shown and described.

**DESCRIPTION**

FIG. 1 is a perspective view of the container in accordance with the new design;

FIG. 2 is a front elevational view thereof;

FIG. 3 is a left side elevation view thereof;

FIG. 4 is a right side elevational view thereof;

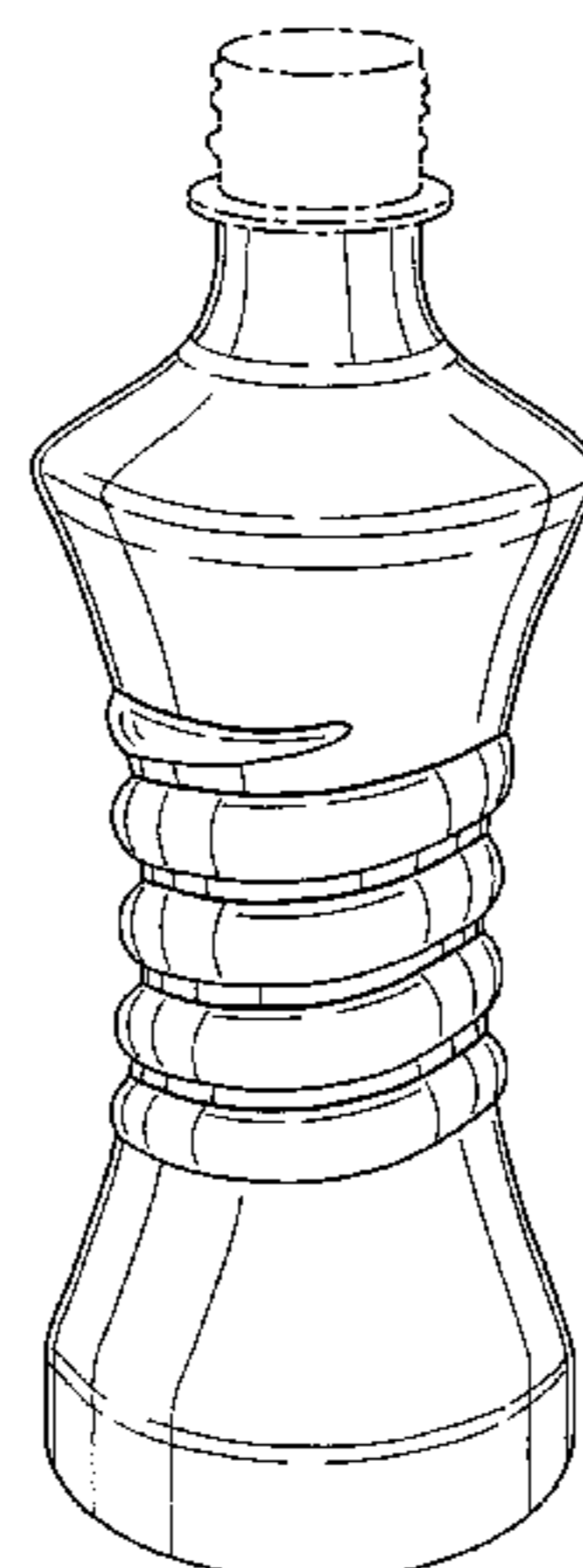
FIG. 5 is a rear elevational view thereof; and,

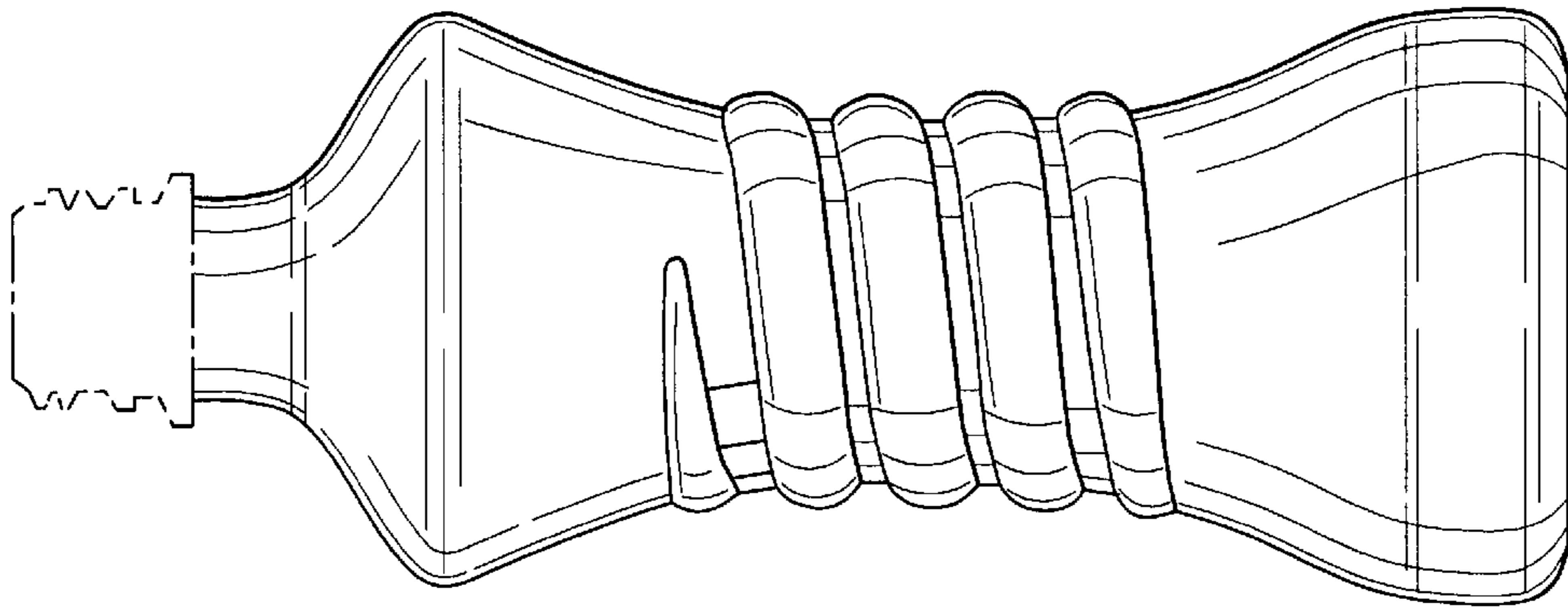
FIG. 6 is a top plan view thereof.

The bottom of the container is not a part of the claimed design.

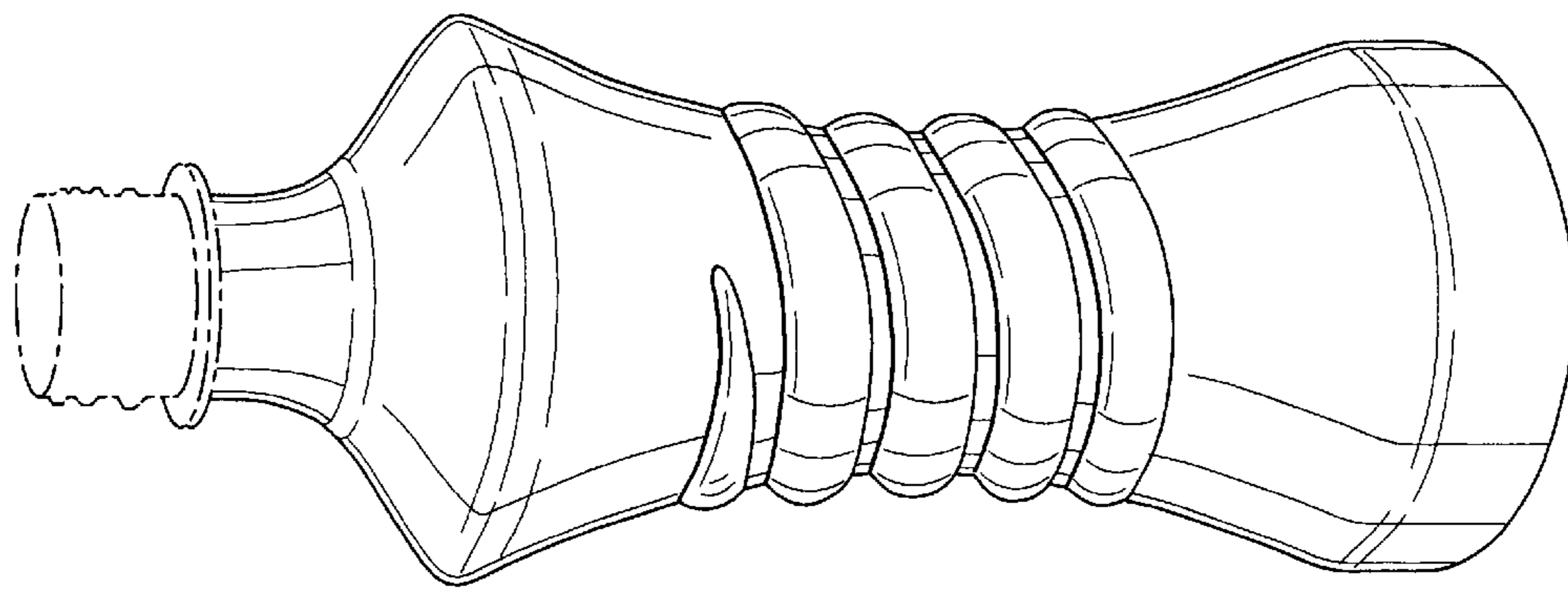
The broken lines shown in the drawings are for environmental purposes only and form no part of the claimed design.

**1 Claim, 3 Drawing Sheets**

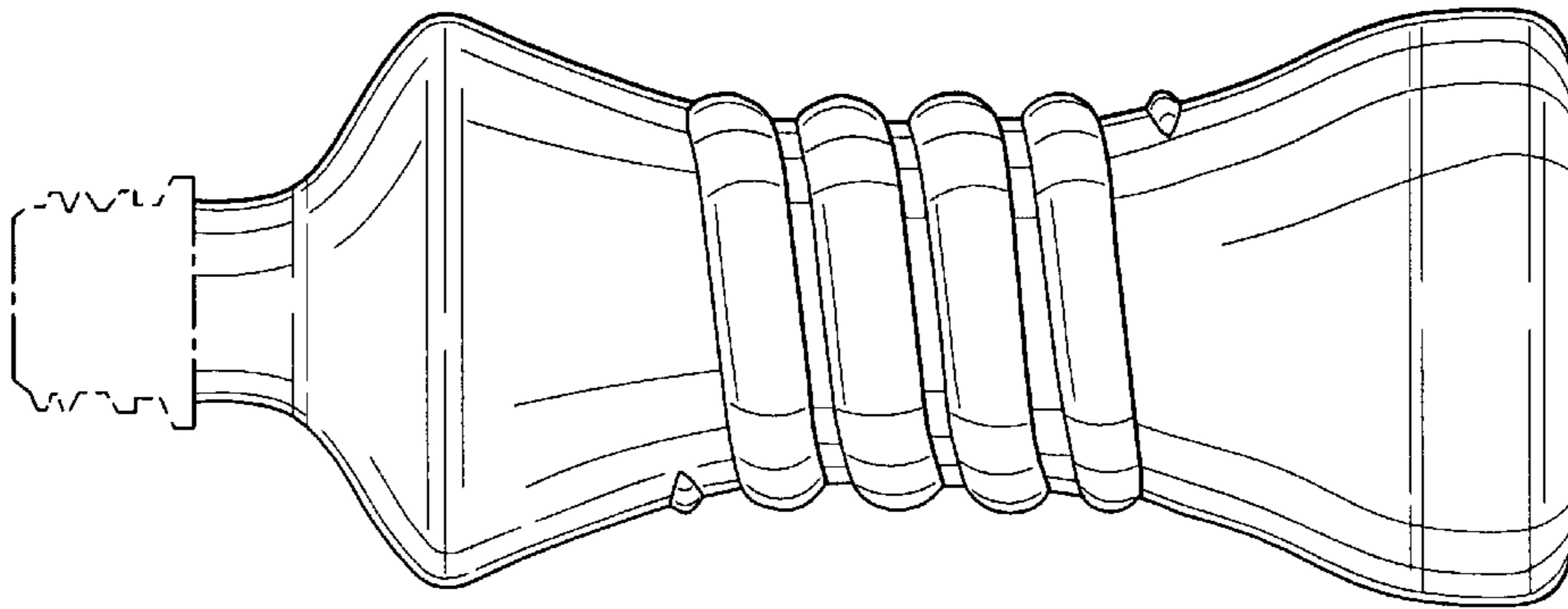




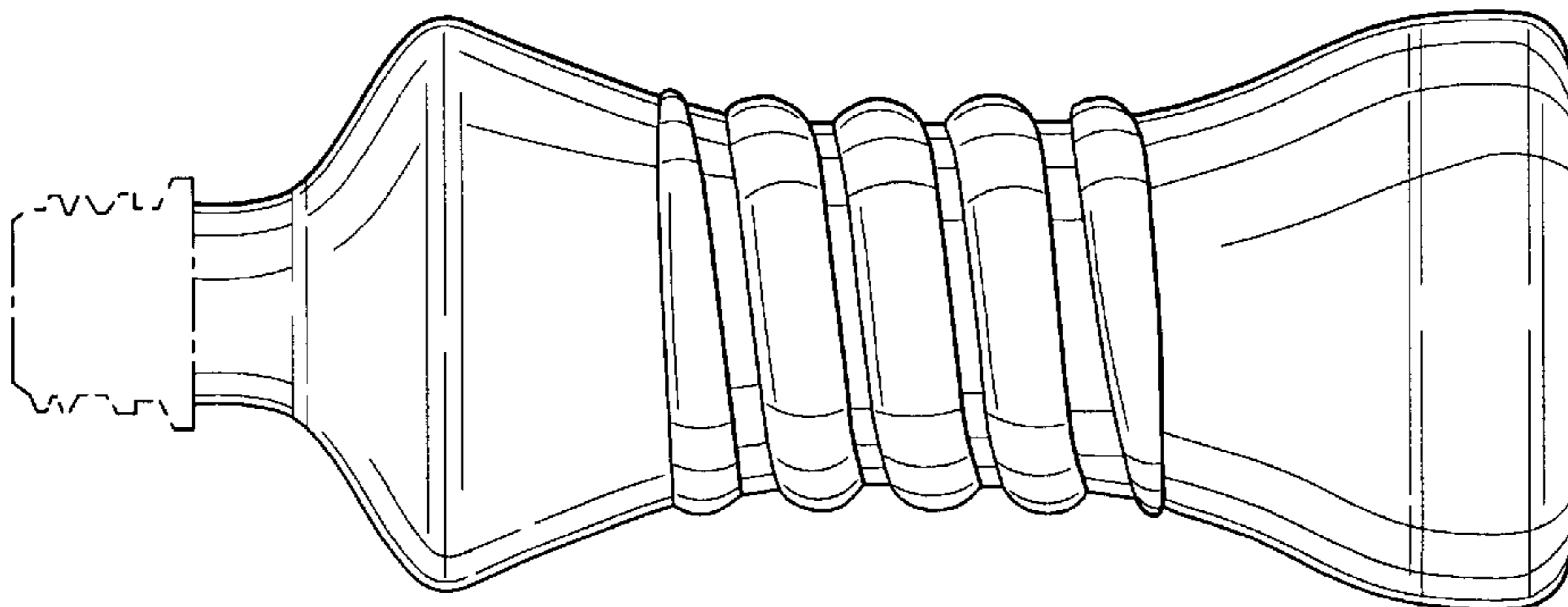
**FIG. 2**



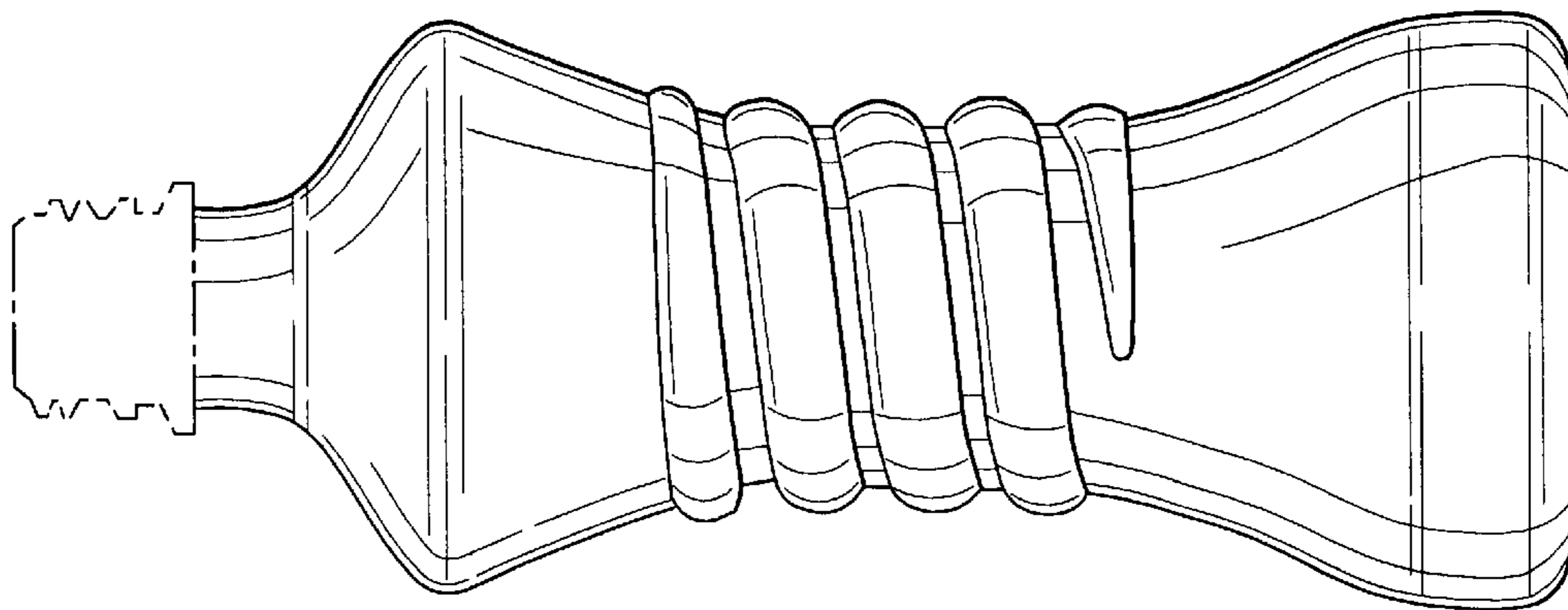
**FIG. 1**



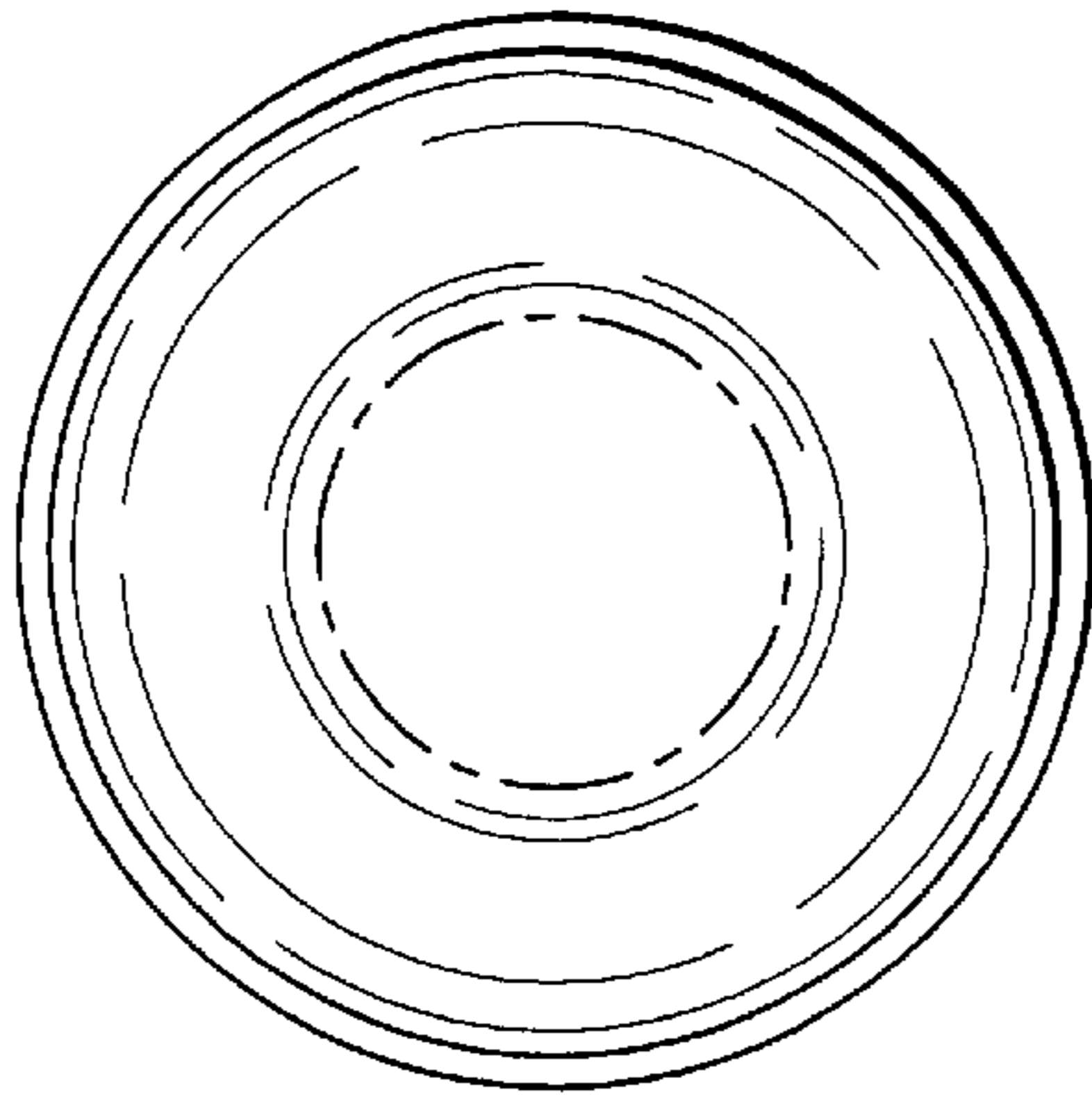
**FIG. 4**



**FIG. 3**



**FIG. 5**



**FIG. 6**