



US00D530203S

(12) **United States Design Patent**
Li

(10) **Patent No.:** **US D530,203 S**

(45) **Date of Patent:** **** Oct. 17, 2006**

- (54) **BOTTLE CAP**
- (75) Inventor: **Jack Kam-yin Li**, Hong Kong (HK)
- (73) Assignee: **Webb Business Promotions, Incorporated**, Rosemount, MN (US)
- (**) Term: **14 Years**
- (21) Appl. No.: **29/230,002**
- (22) Filed: **May 13, 2005**
- (51) **LOC (8) Cl.** **09-07**
- (52) **U.S. Cl.** **D9/449**
- (58) **Field of Classification Search** D9/499,
D9/453, 452, 449, 447, 446, 443, 435, 450;
D7/900, 511, 510, 509, 397, 317, 392.1, 314,
D7/396.2, 312; 222/570, 568, 567; 221/63;
220/710, 709, 708, 707, 706, 705
See application file for complete search history.

5,676,186 A	10/1997	Vanderploeg	
5,758,700 A	6/1998	Vanderploeg	
5,845,820 A	12/1998	Foster	
5,913,630 A	6/1999	Kelders et al.	
5,931,351 A	8/1999	Renualt et al.	
5,938,081 A	8/1999	Foster et al.	
5,944,212 A	8/1999	Chang	
D417,339 S	* 12/1999	Miller	D3/318
6,068,165 A	5/2000	Minihane et al.	
6,279,773 B1	8/2001	Kiyota	
D459,228 S	* 6/2002	Hierzer	D9/446
6,478,184 B1	* 11/2002	Berge et al.	220/831
6,510,675 B1	1/2003	Strässler	
6,523,711 B1	2/2003	Hughes et al.	
6,575,330 B1	6/2003	Rousselet	
6,581,808 B1	6/2003	De Laforcade	
2002/0017535 A1	2/2002	Rousselet	
2003/0141321 A1	7/2003	Sekendur	
2003/0168455 A1	9/2003	Zettle et al.	

* cited by examiner

Primary Examiner—Robert M. Spear

Assistant Examiner—Susan Bennett Hattan

(74) *Attorney, Agent, or Firm*—Merchant & Gould P.C.

(56) **References Cited**

U.S. PATENT DOCUMENTS

4,179,052 A	12/1979	Abbott	
4,353,483 A	10/1982	Pehr	
4,616,763 A	10/1986	Ruhl	
4,632,266 A	12/1986	Osswald	
4,712,705 A	12/1987	Fuehrer	
4,915,268 A	* 4/1990	Lay et al.	222/498
4,949,858 A	8/1990	Sheridan	
D318,621 S	* 7/1991	Venne	D9/453
5,115,949 A	5/1992	Rosenthal	
5,145,083 A	9/1992	Takahashi	
5,199,597 A	4/1993	Gladish	
5,240,148 A	8/1993	Elgazzar et al.	
5,284,277 A	2/1994	Leuenberger	
5,310,097 A	5/1994	Leuenberger	
D358,530 S	* 5/1995	Mehra et al.	D7/510
5,520,305 A	5/1996	Pierson	

(57) **CLAIM**

The ornamental design for a bottle cap, as shown and described.

DESCRIPTION

FIG. 1 is a top, front perspective view of a bottle cap made in accordance with my new design;
 FIG. 2 is a front view of the embodiment of FIG. 1;
 FIG. 3 is a back view of the embodiment of FIG. 1;
 FIG. 4 is a left side view of the embodiment of FIG. 1, with the right side view being the mirror image of the left side view; and,
 FIG. 5 is a top view of the embodiment of FIG. 1.

1 Claim, 2 Drawing Sheets

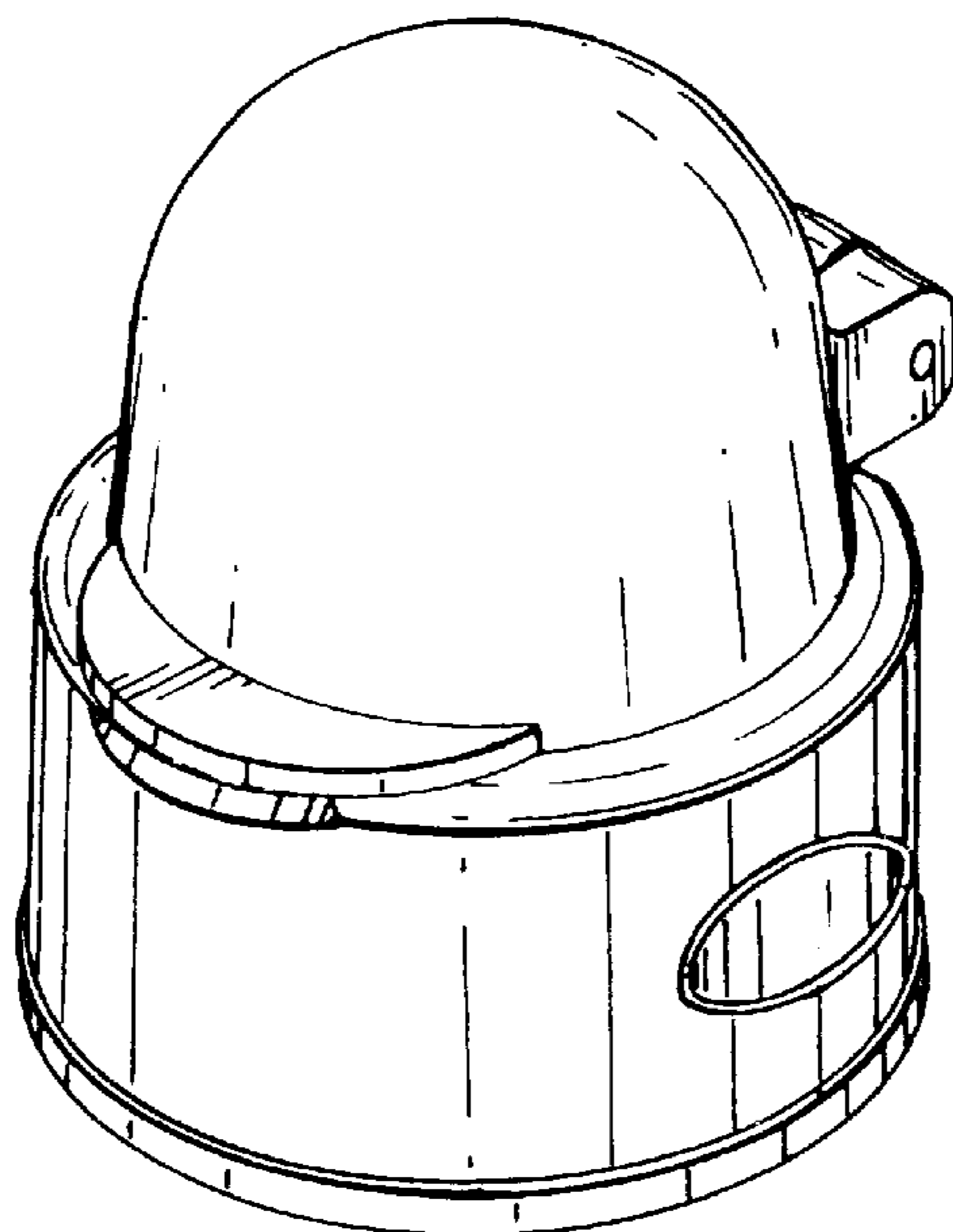


FIG. 1

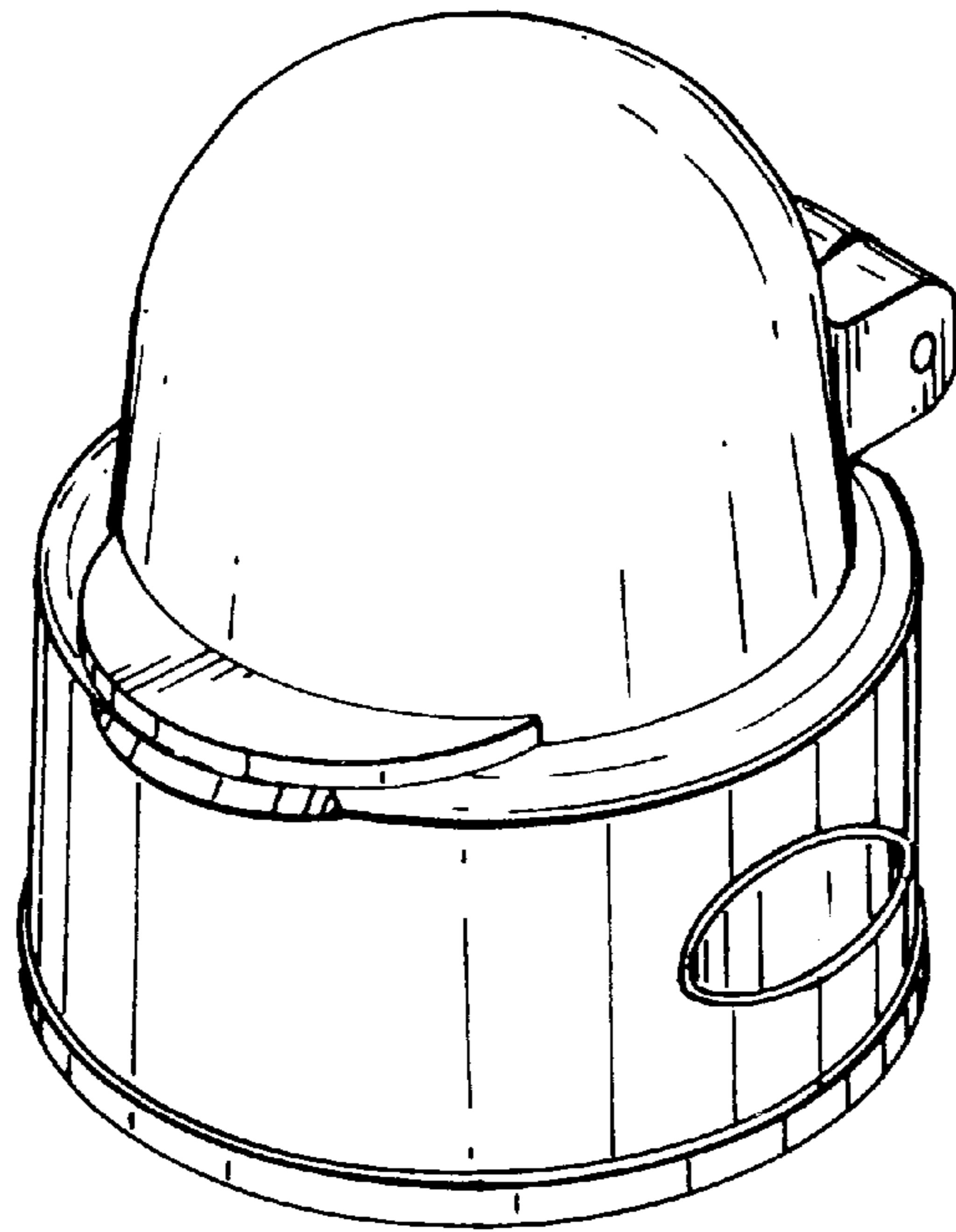


FIG. 2

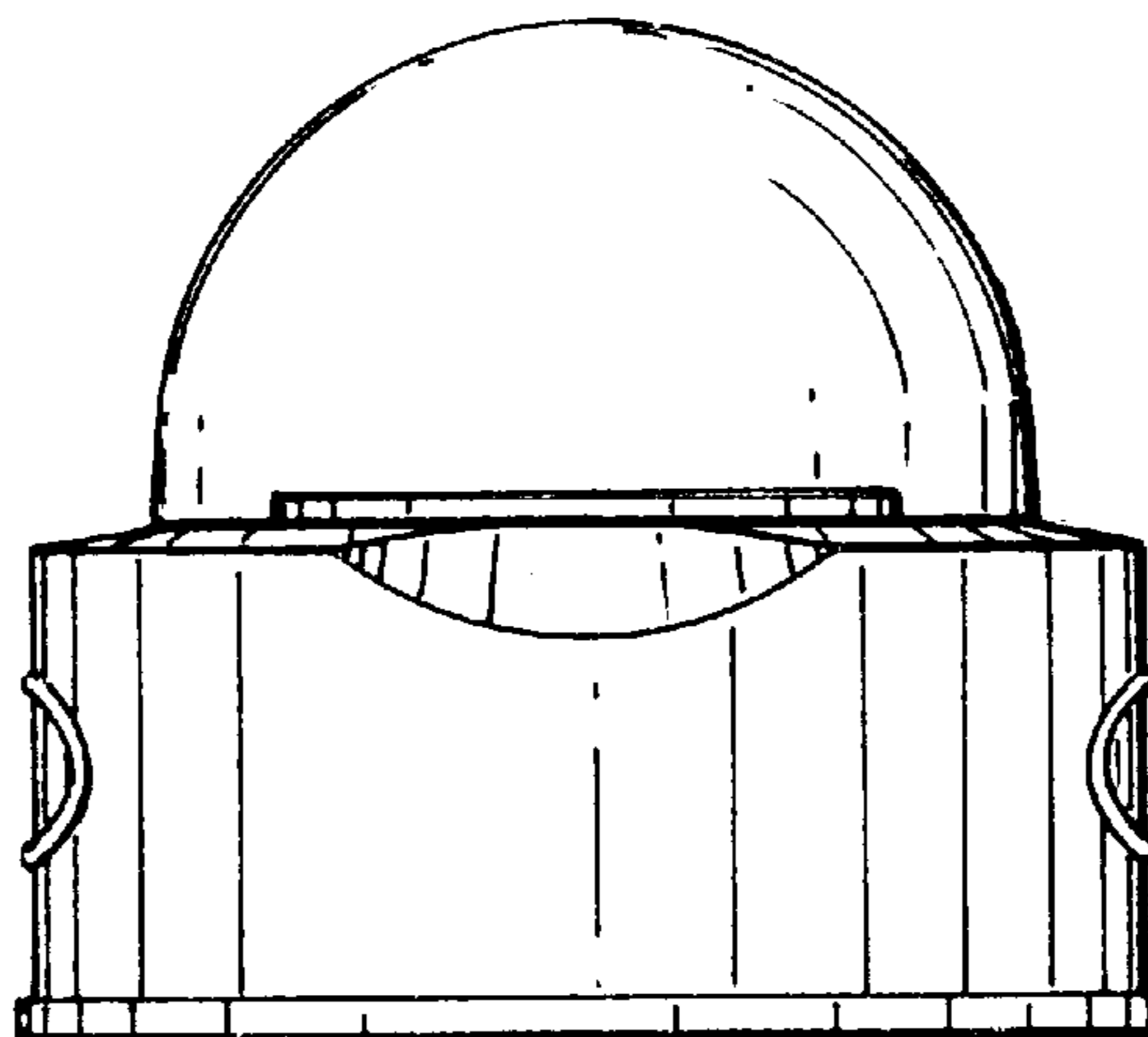


FIG.3

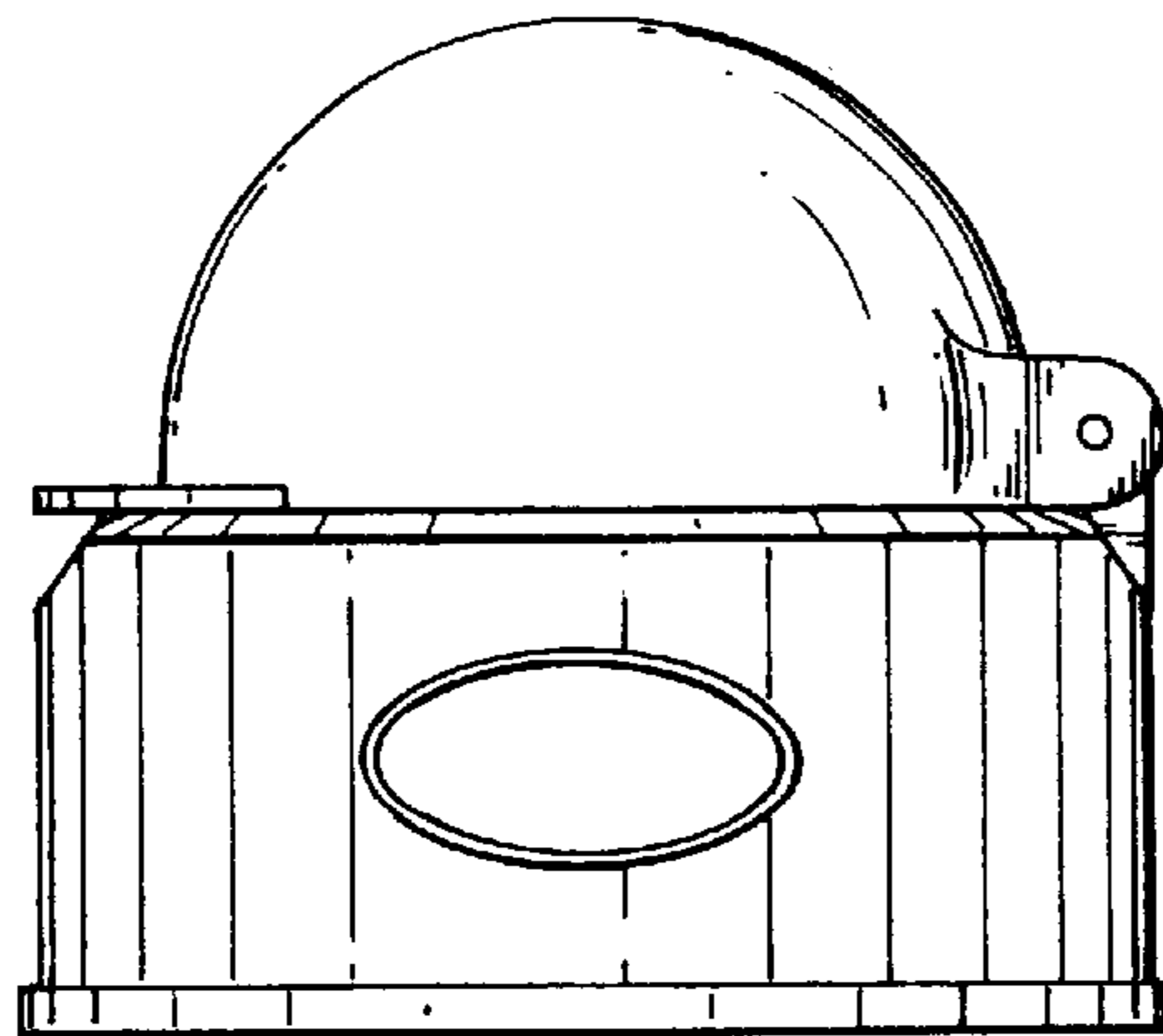
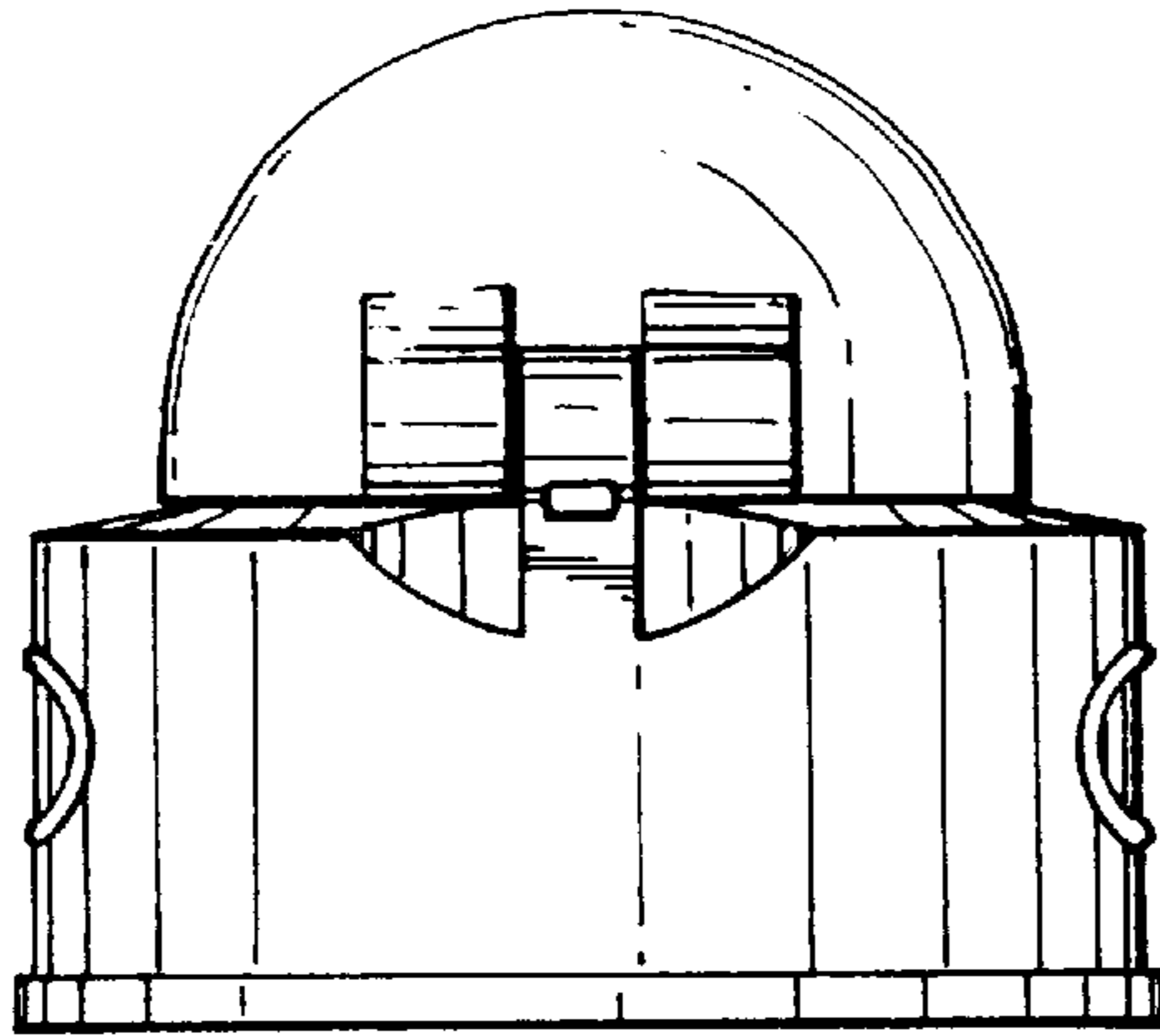


FIG.4

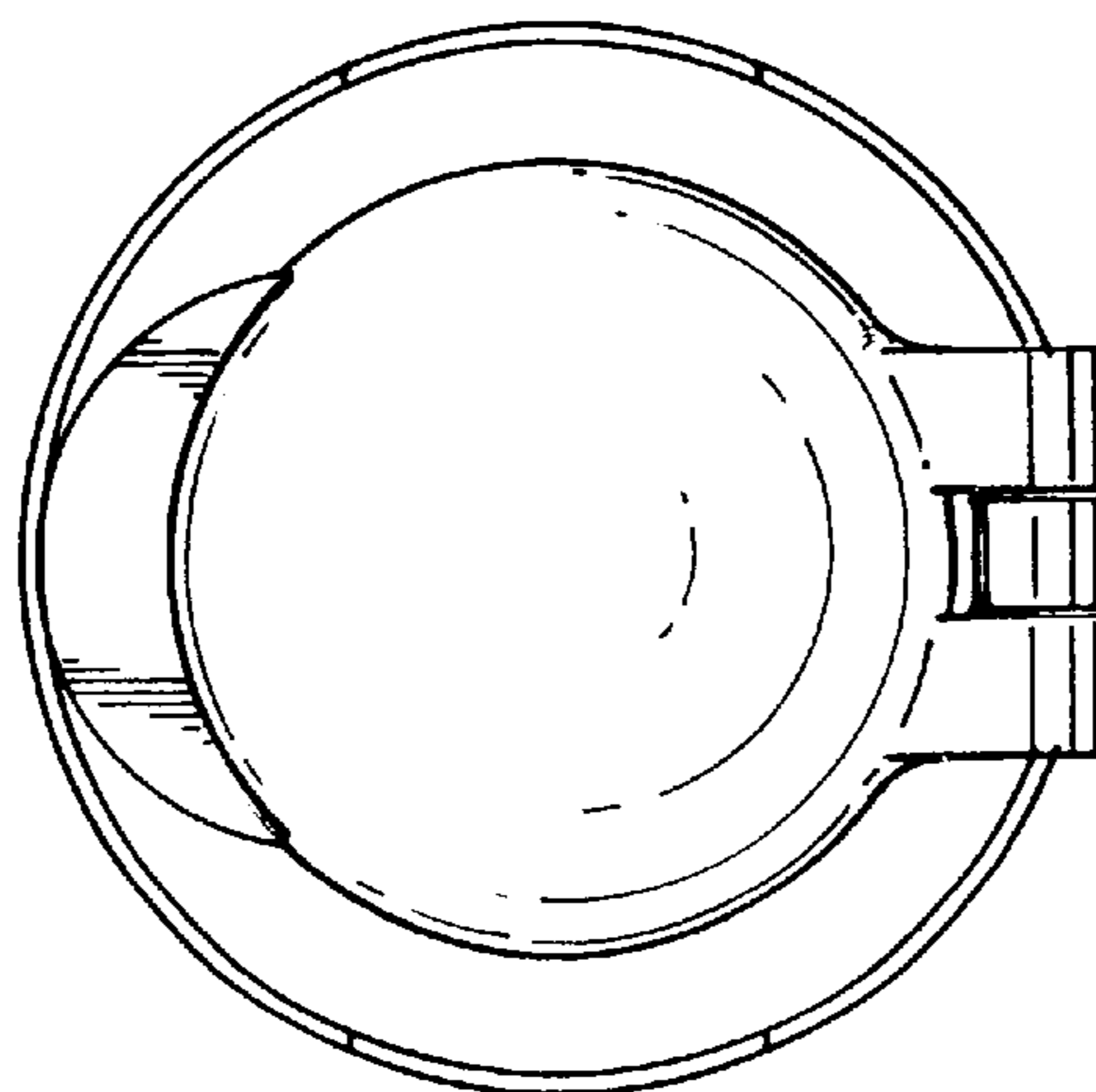


FIG.5