



US00D530202S

(12) **United States Design Patent**
Herald et al.

(10) **Patent No.:** **US D530,202 S**
(45) **Date of Patent:** **** Oct. 17, 2006**

(54) **DISPENSING CAP**

6,371,318 B1 4/2002 Riffer
6,399,170 B1 6/2002 Hock et al.

(75) Inventors: **Coy M. Herald**, Carmel, IN (US);
Ramesh Kamath, Carmel, IN (US);
Kenneth D. Haubein, Joplin, MO (US)

OTHER PUBLICATIONS

Three (3) digital photographs of the design of the Coffee Mate creamer cap.

(73) Assignee: **Jasper Products, LLC**, Joplin, MO (US)

Three (3) digital photographs of the design of the International Delight creamer cap.

(**) Term: **14 Years**

* cited by examiner

(21) Appl. No.: **29/209,939**

Primary Examiner—Robert M. Spear
Assistant Examiner—Susan Bennett Hattan

(22) Filed: **Jul. 23, 2004**

(74) *Attorney, Agent, or Firm*—Hovey Williams LLP

(51) **LOC (8) Cl.** **09-07**

(57) **CLAIM**

(52) **U.S. Cl.** **D9/449; D9/447**

The ornamental design for a dispensing cap, as shown and described.

(58) **Field of Classification Search** D9/499,
D9/453, 452, 449, 447, 446, 443, 435, 450;
D7/900, 511, 510, 509, 397, 317, 392.1, 314,
D7/396.2, 312; 222/570, 568, 567; 221/63;
220/710, 709, 708, 707, 706, 705

DESCRIPTION

See application file for complete search history.

FIG. 1 is a top front perspective view of a dispensing cap in a closed position;
FIG. 2 is a top rear perspective view in an open position;
FIG. 3 is a right side elevation view in a closed position, the left side elevation view being a mirror image thereof;
FIG. 4 is a left side elevation view in an open position, the right side elevation view being a mirror image thereof;
FIG. 5 is a front elevation view in a closed position;
FIG. 6 is a top plan view in a closed position;
FIG. 7 is a top plan view in an open position;
FIG. 8 is a bottom view in a closed position; and,
FIG. 9 is a rear elevation view.

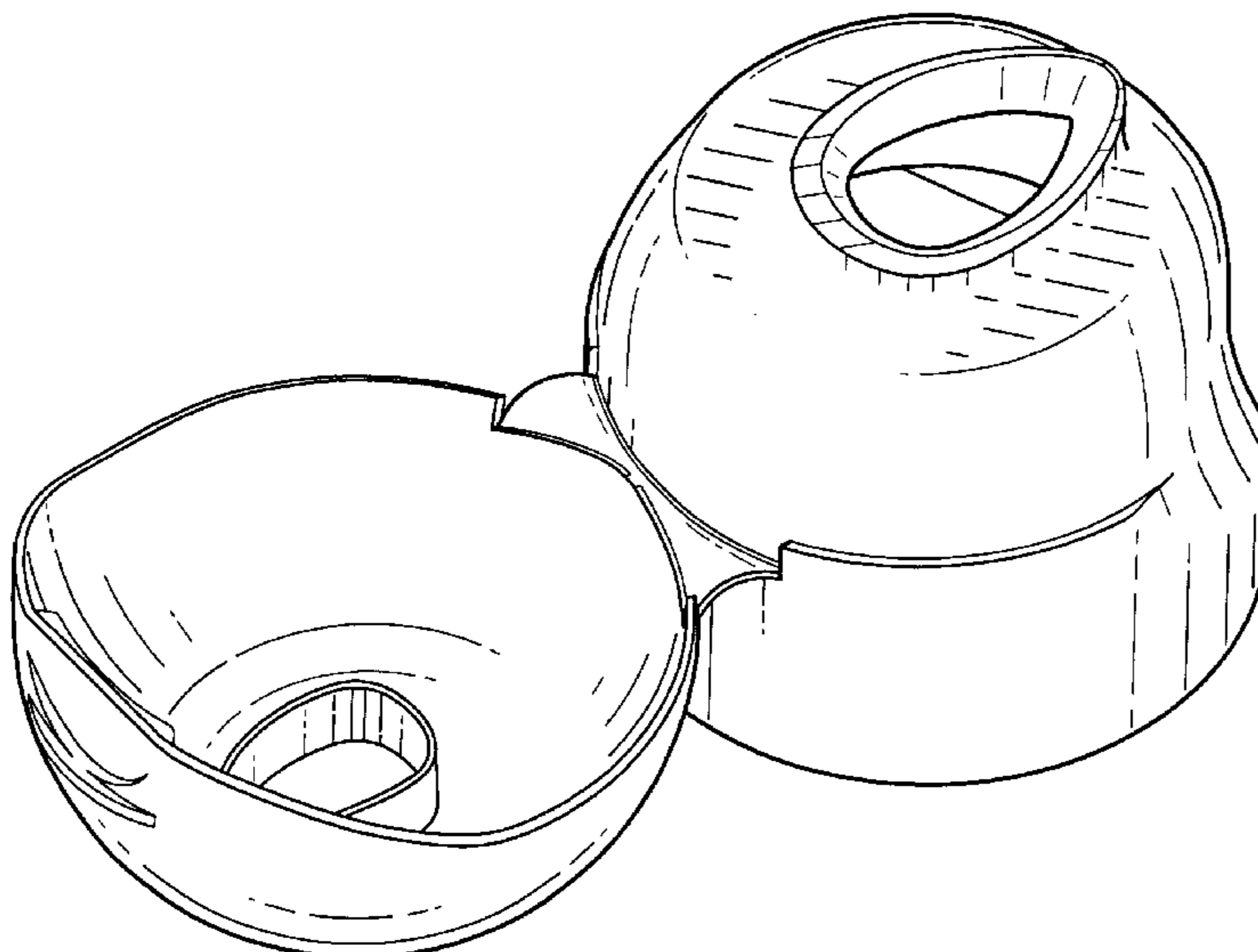
The broken lines in the drawings are for illustrative purposes only and form no part of the claimed design.

(56) **References Cited**

U.S. PATENT DOCUMENTS

4,638,916 A	1/1987	Beck et al.	
4,697,716 A	10/1987	Mumford	
4,821,899 A	4/1989	Nycz et al.	
5,462,202 A	10/1995	Haffner et al.	
5,489,035 A	2/1996	Fuchs	
5,566,862 A	10/1996	Haffner et al.	
5,913,435 A	6/1999	Fuchs	
D426,773 S	* 6/2000	Warner et al. D9/449
D436,040 S	* 1/2001	Warner et al. D9/449
D444,705 S	* 7/2001	Meeker et al. D9/450

1 Claim, 2 Drawing Sheets



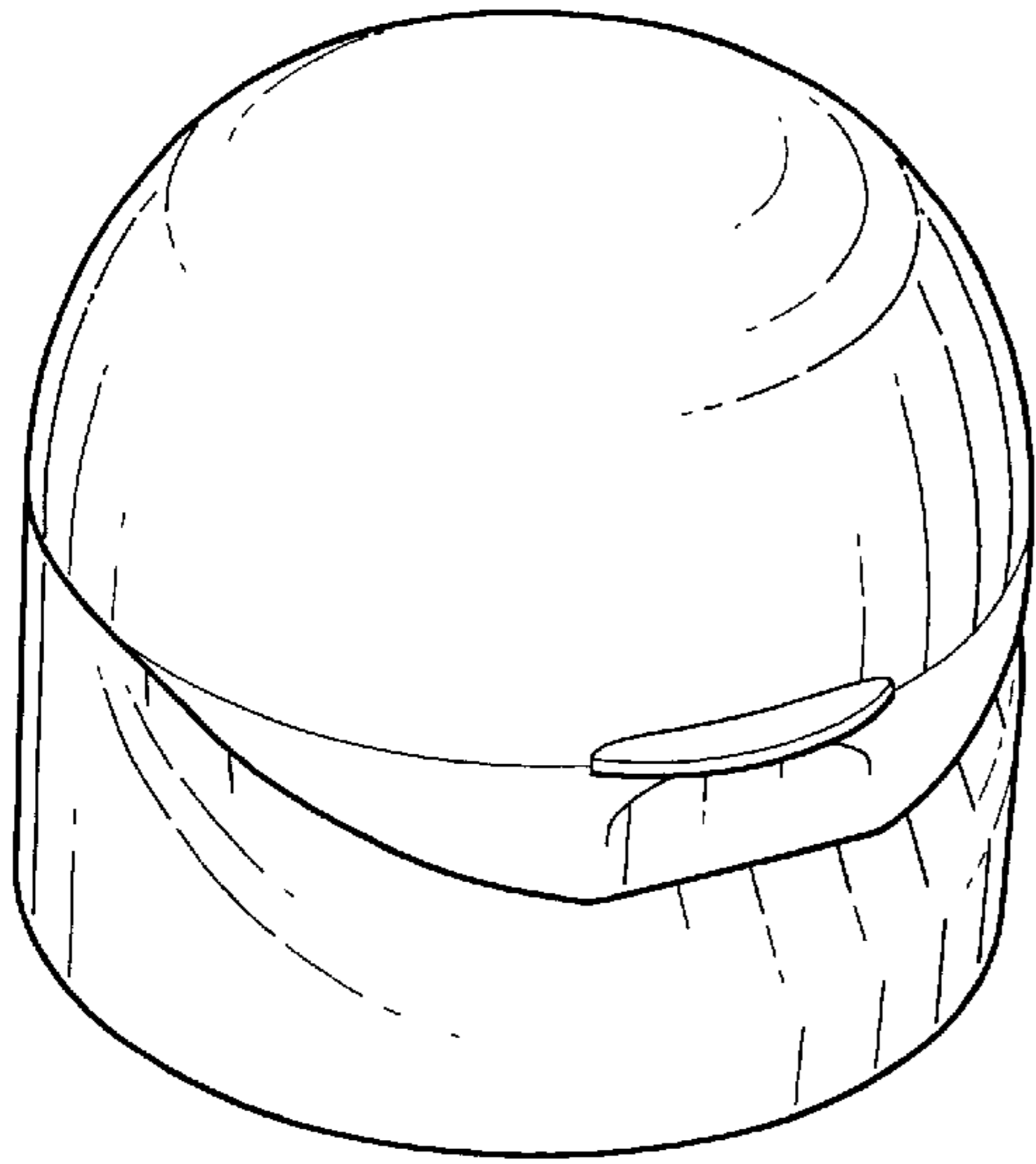


FIG. 1

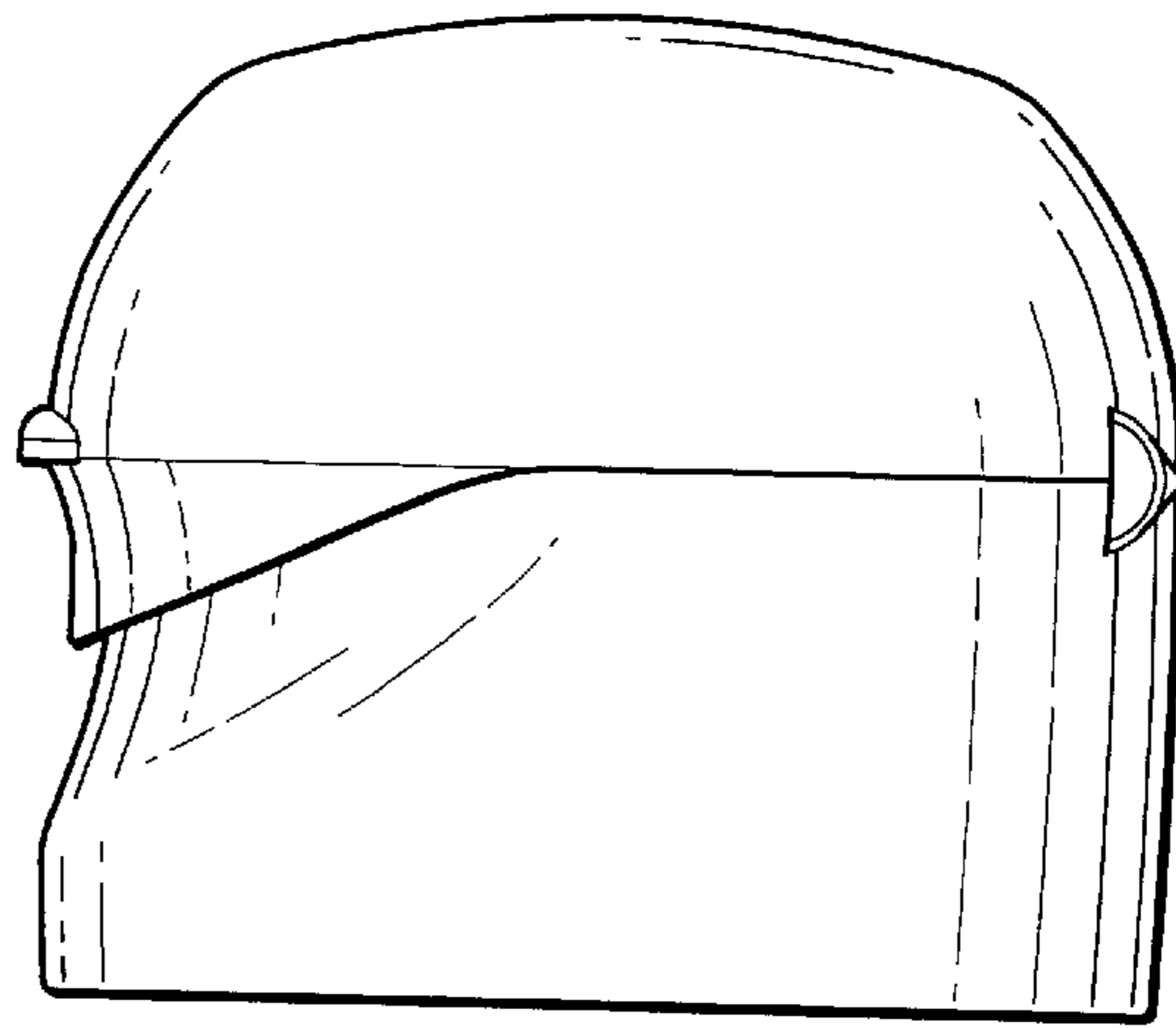


FIG. 3

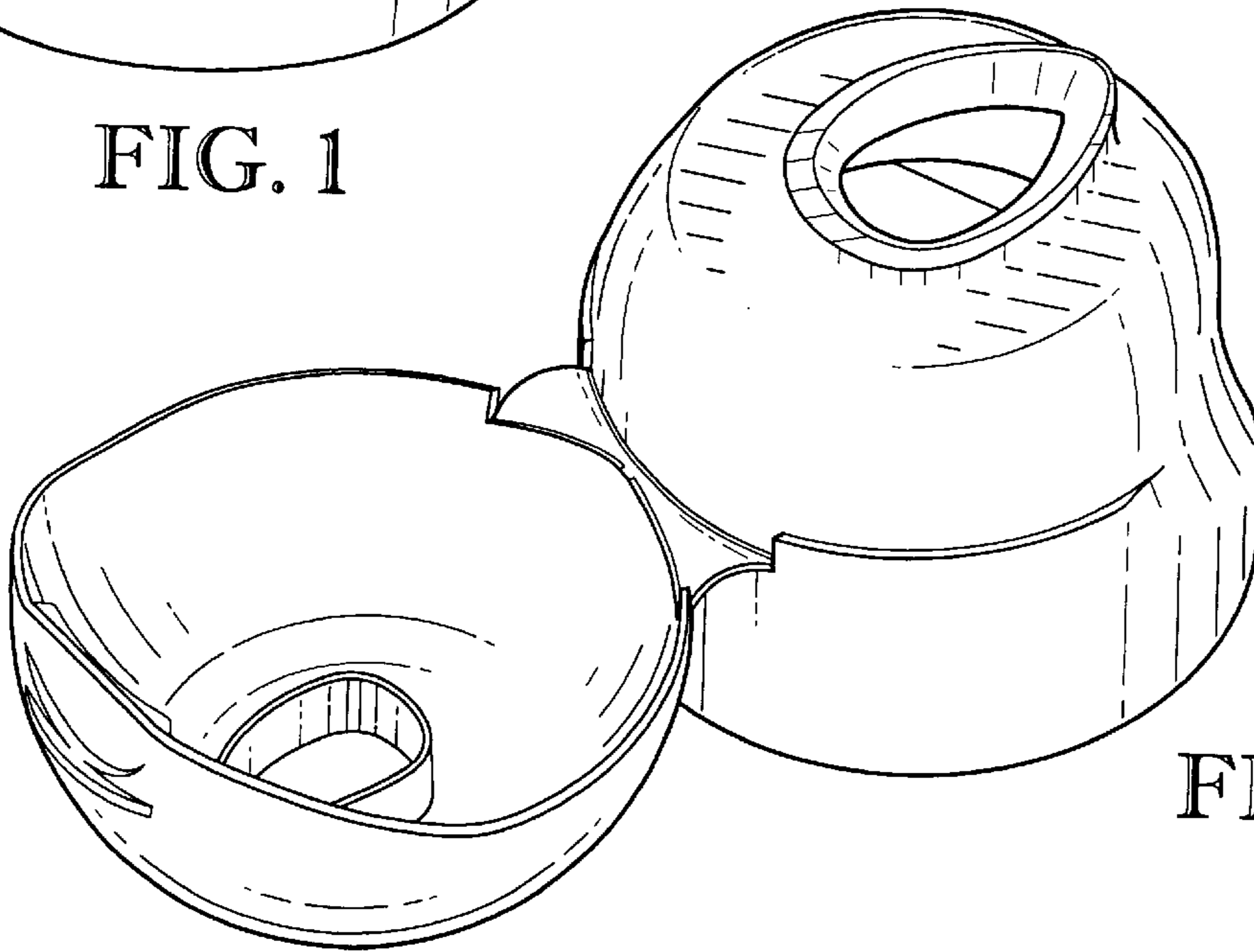


FIG. 2

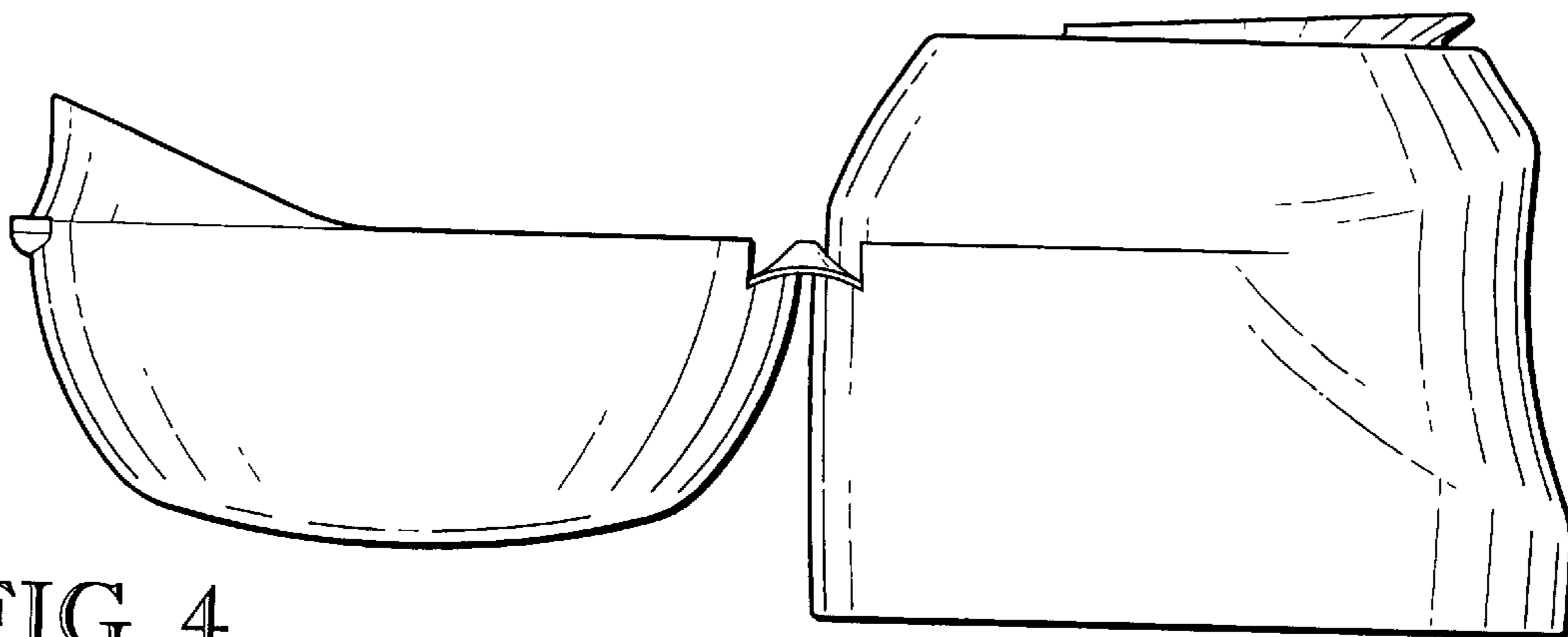


FIG. 4

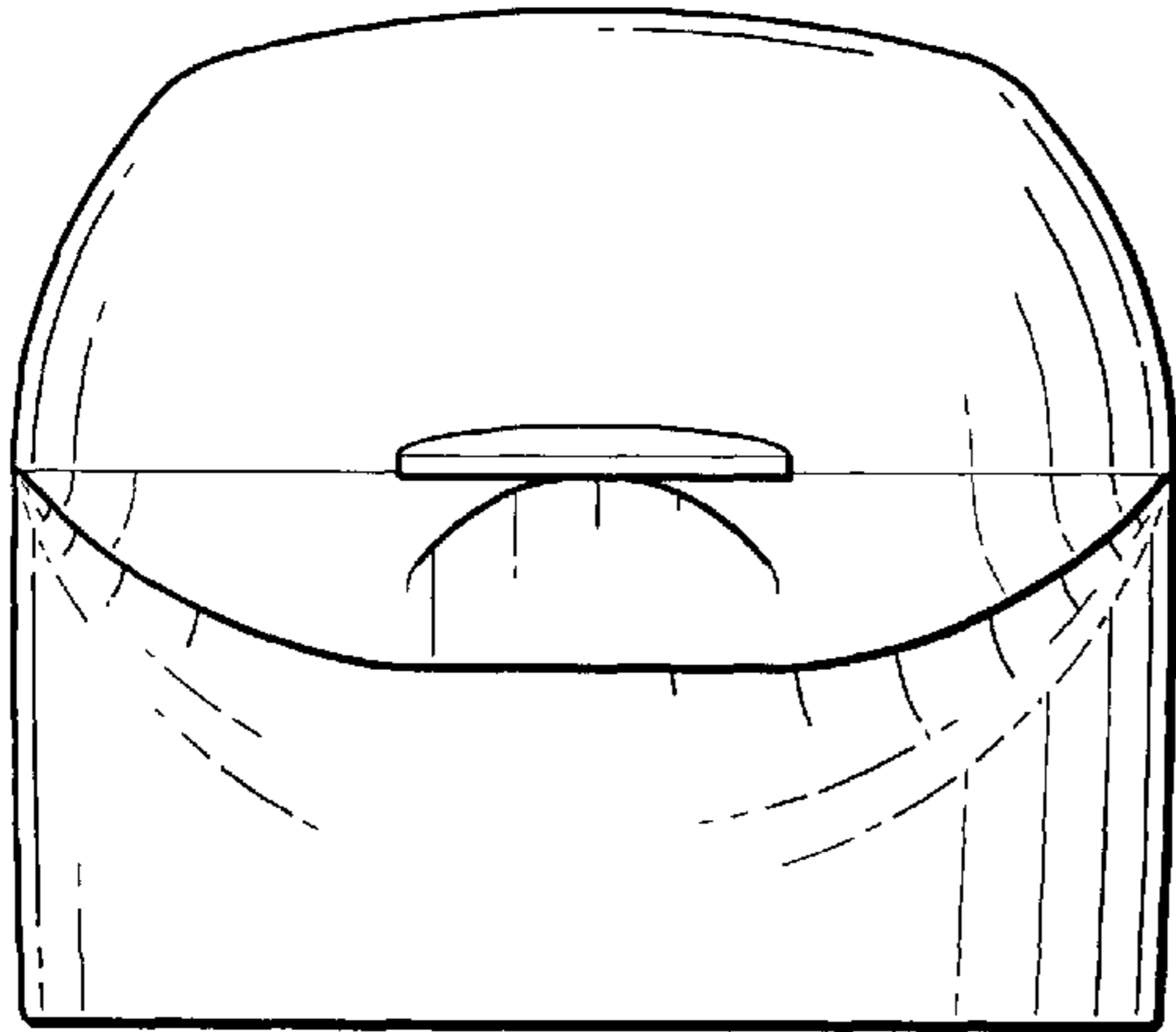


FIG. 5

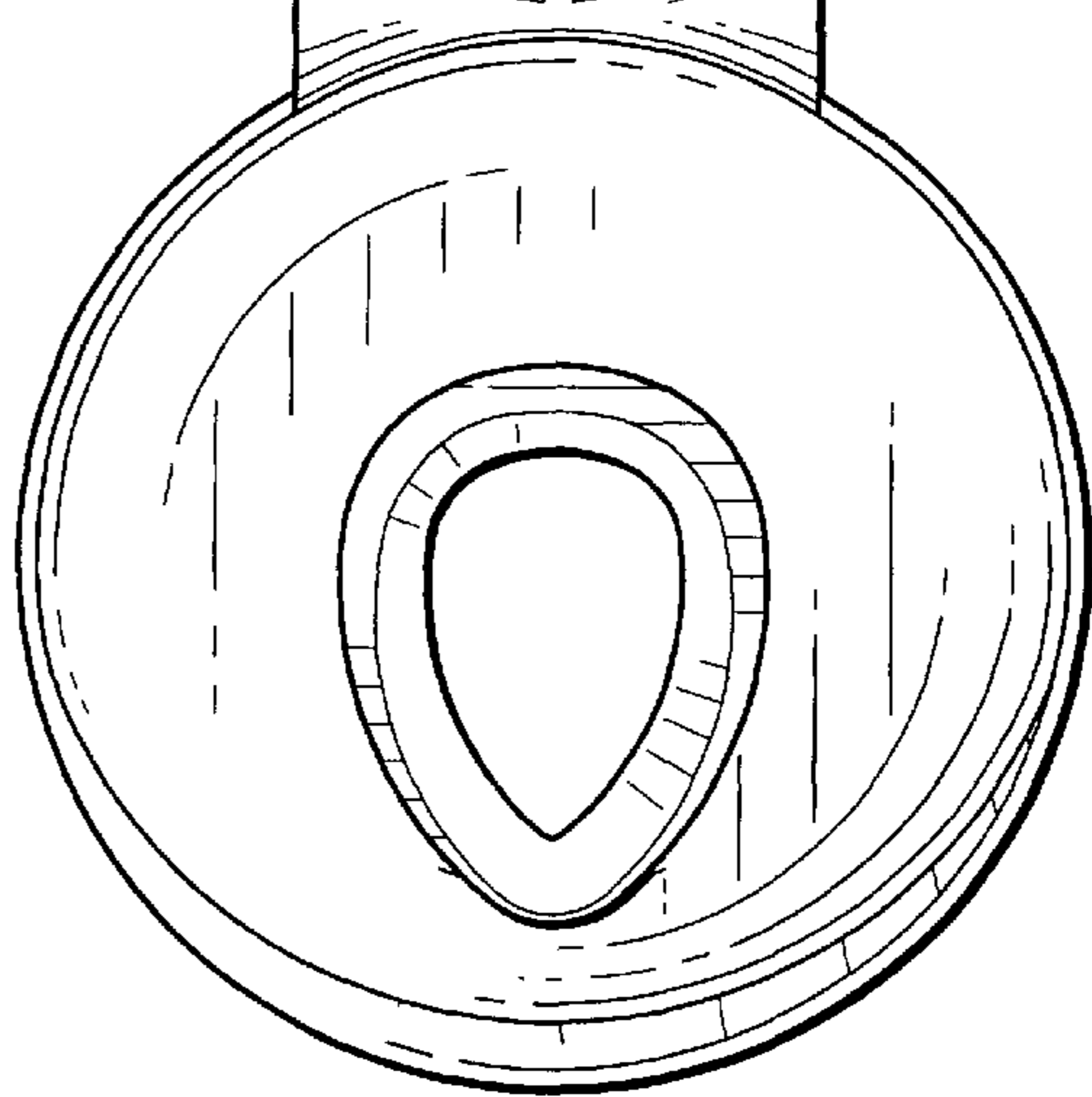
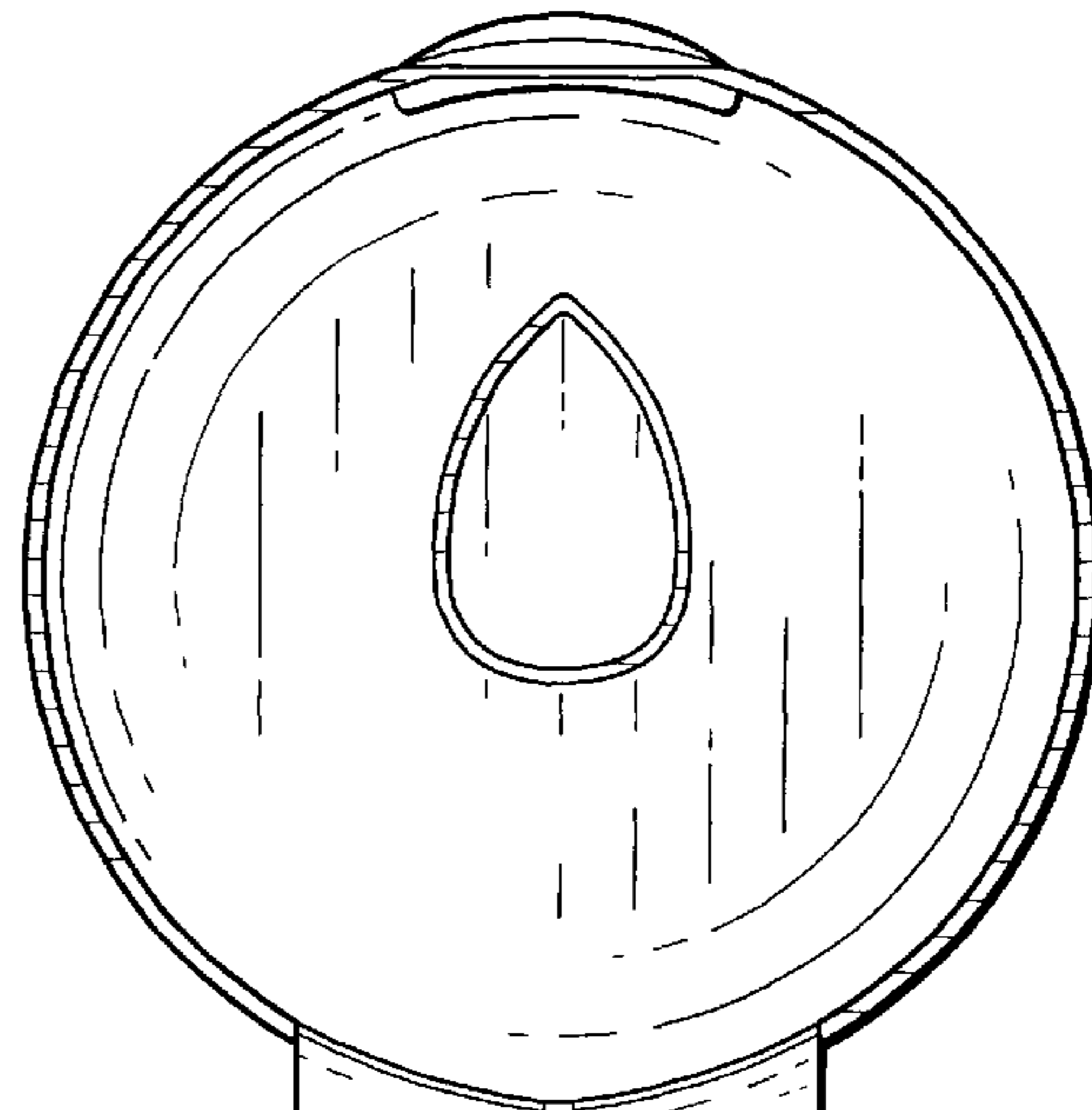


FIG. 7

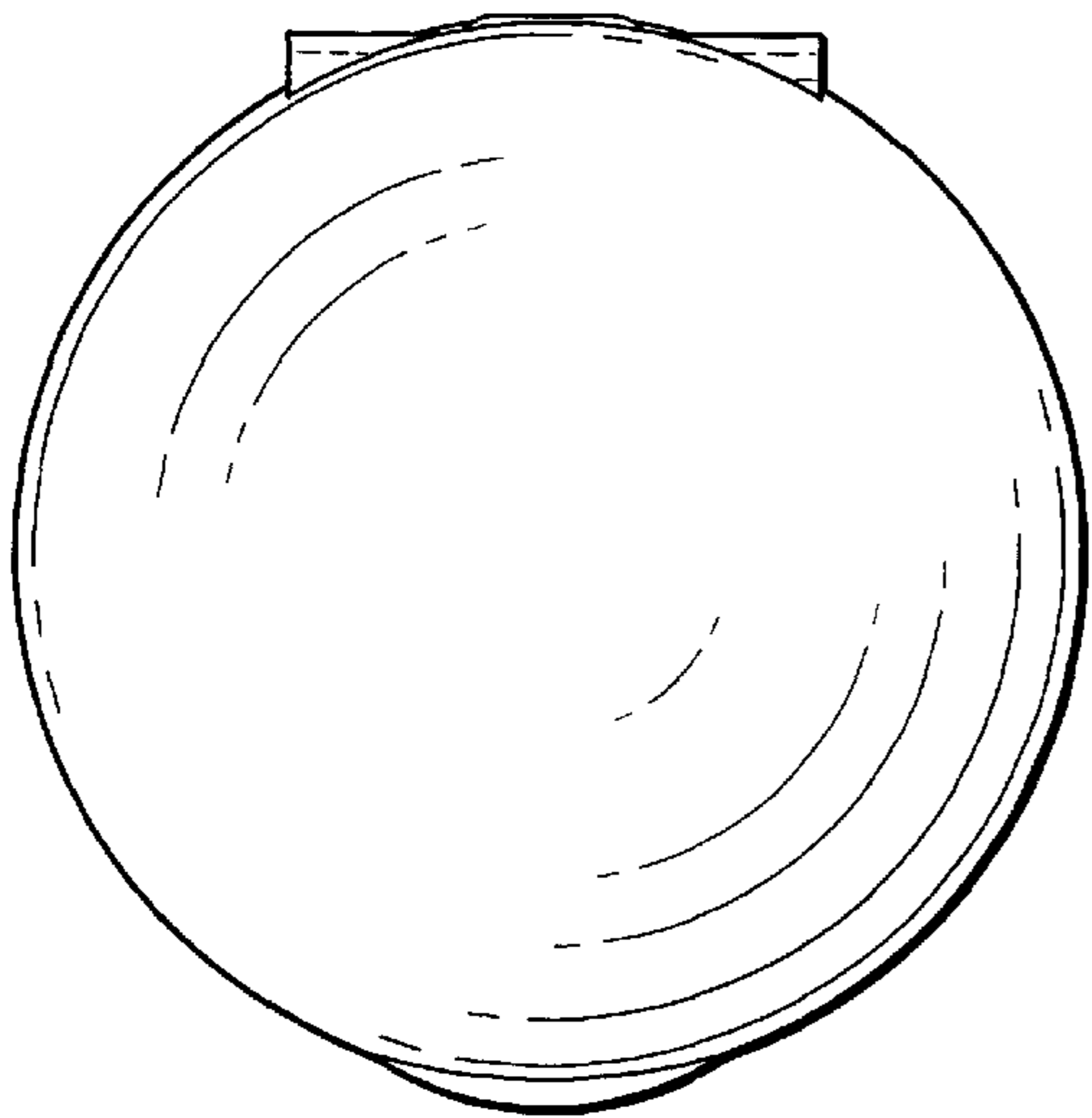


FIG. 6

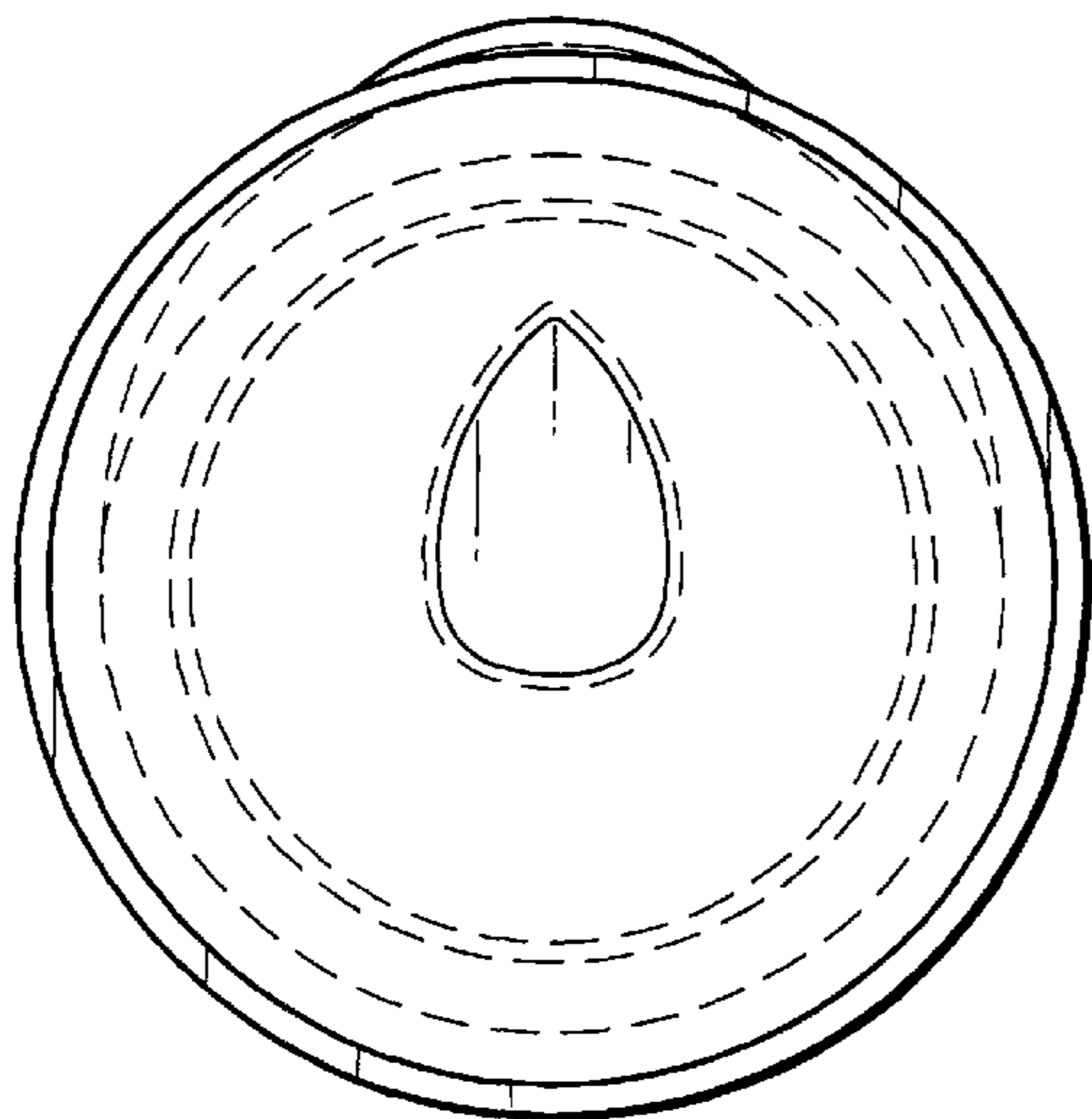


FIG. 8

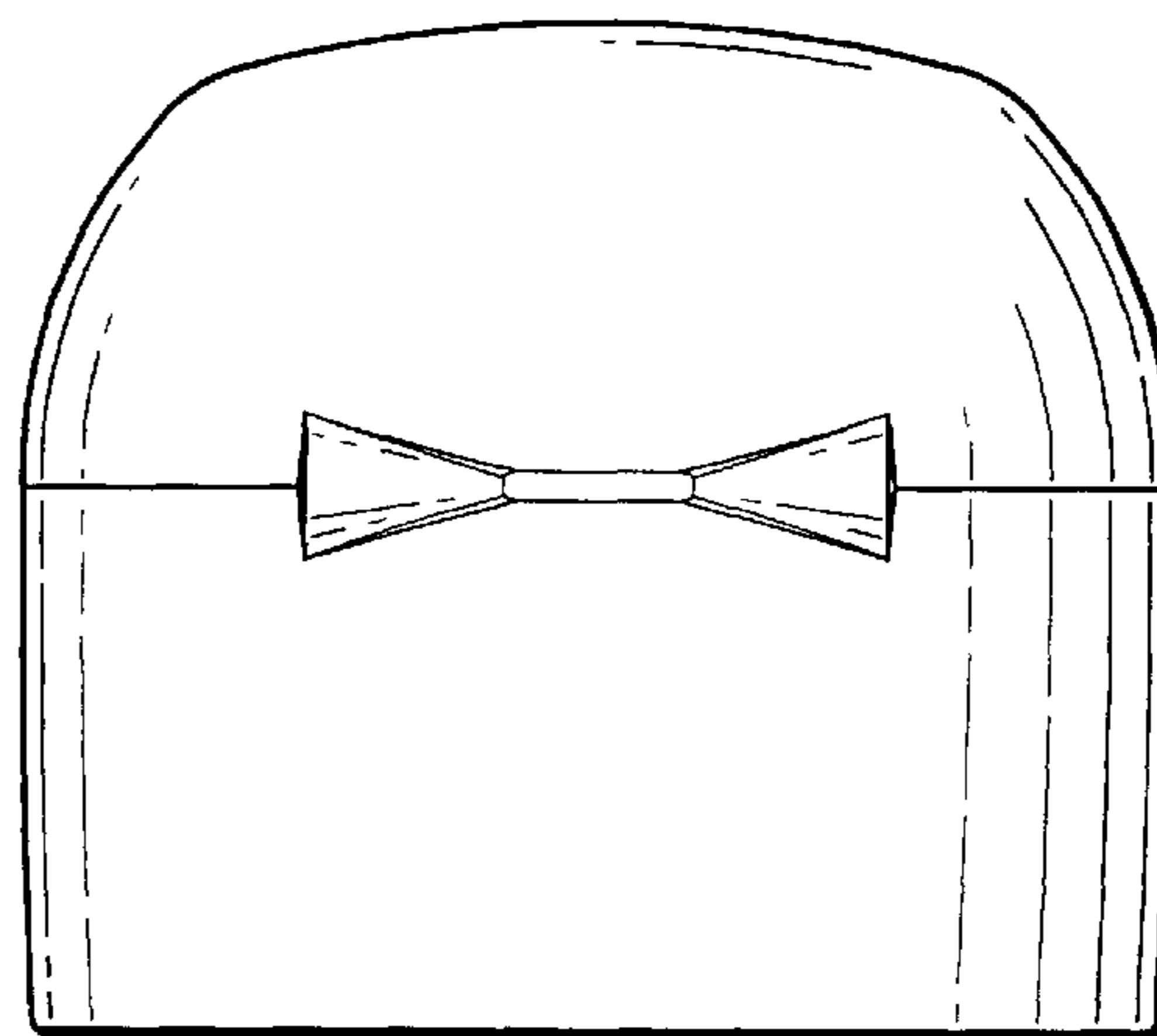


FIG. 9