



US00D530189S

(12) **United States Design Patent**
Minayoshi et al.

(10) **Patent No.:** **US D530,189 S**
(45) **Date of Patent:** **** Oct. 17, 2006**

(54) **INSTRUMENT FOR SUSPENDING REINFORCEMENTS FOR A TELEGRAPH POLE**

(75) Inventors: **Hiroyasu Minayoshi**, Kanagawa (JP);
Masato Ushiroyama, Tokyo (JP);
Hitoshi Shoji, Chiba (JP)

(73) Assignee: **NTT Infrastructure Corporation**,
Tokyo (JP)

(**) Term: **14 Years**

(21) Appl. No.: **29/220,266**

(22) Filed: **Dec. 28, 2004**

Related U.S. Application Data

(62) Division of application No. 29/177,475, filed on Mar. 11, 2003, now Pat. No. Des. 509,129.

(30) **Foreign Application Priority Data**

Sep. 11, 2002	(JP)	2002-24736
Sep. 11, 2002	(JP)	2002-24737
Sep. 11, 2002	(JP)	2002-24738
Sep. 11, 2002	(JP)	2002-24739

(51) **LOC (8) Cl.** **08-05**

(52) **U.S. Cl.** **D8/373**

(58) **Field of Classification Search** D8/363;
264/34; 182/92; 248/548

See application file for complete search history.

(56) **References Cited**

U.S. PATENT DOCUMENTS

3,585,773	A *	6/1971	Seppala	52/678
5,432,978	A *	7/1995	Menke et al.	16/426
5,529,276	A *	6/1996	Szablya	248/548
5,692,357	A *	12/1997	McCain	52/749.1

* cited by examiner

Primary Examiner—Holly Baynham

(74) *Attorney, Agent, or Firm*—Olson & Hierl, Ltd.

(57) **CLAIM**

The ornamental design for an instrument for suspending reinforcements for a telegraph pole, as shown and described.

DESCRIPTION

FIG. 1 is a front perspective view of an instrument for suspending reinforcements for a telegraph pole;
FIG. 2 is an enlarged front perspective view thereof;
FIG. 3 is a front view thereof;
FIG. 4 is an enlarged front view thereof;
FIG. 5 is a rear view thereof;
FIG. 6 is an enlarged rear view thereof;
FIG. 7 is a top plan view thereof;
FIG. 8 is an enlarged top plan view thereof;
FIG. 9 is a bottom view thereof;
FIG. 10 is an enlarged bottom view thereof;
FIG. 11 is a right side view thereof;
FIG. 12 is an enlarged right side view thereof;
FIG. 13 is a left side view thereof;
FIG. 14 is an enlarged left side view thereof;
FIG. 15 is a reference view indicating how the article is used;

FIG. 16 is a front perspective view of a second embodiment of the instrument for suspending reinforcements for a telegraph pole;
FIG. 17 is an enlarged front perspective view thereof;
FIG. 18 is a front view thereof;
FIG. 19 is an enlarged front view thereof;
FIG. 20 is a rear view thereof;
FIG. 21 is an enlarged rear view thereof;
FIG. 22 is a top plan view thereof;
FIG. 23 is an enlarged top plan view thereof;
FIG. 24 is a bottom view thereof;
FIG. 25 is an enlarged bottom view thereof;
FIG. 26 is a right side view thereof;
FIG. 27 is an enlarged right side view thereof;
FIG. 28 is a left side view thereof;
FIG. 29 is an enlarged left side view thereof; and,
FIG. 30 is a reference view indicating how the article is used.

The broken lines are shown in the views for illustrative purposes only and form no part of the claimed design.

1 Claim, 16 Drawing Sheets

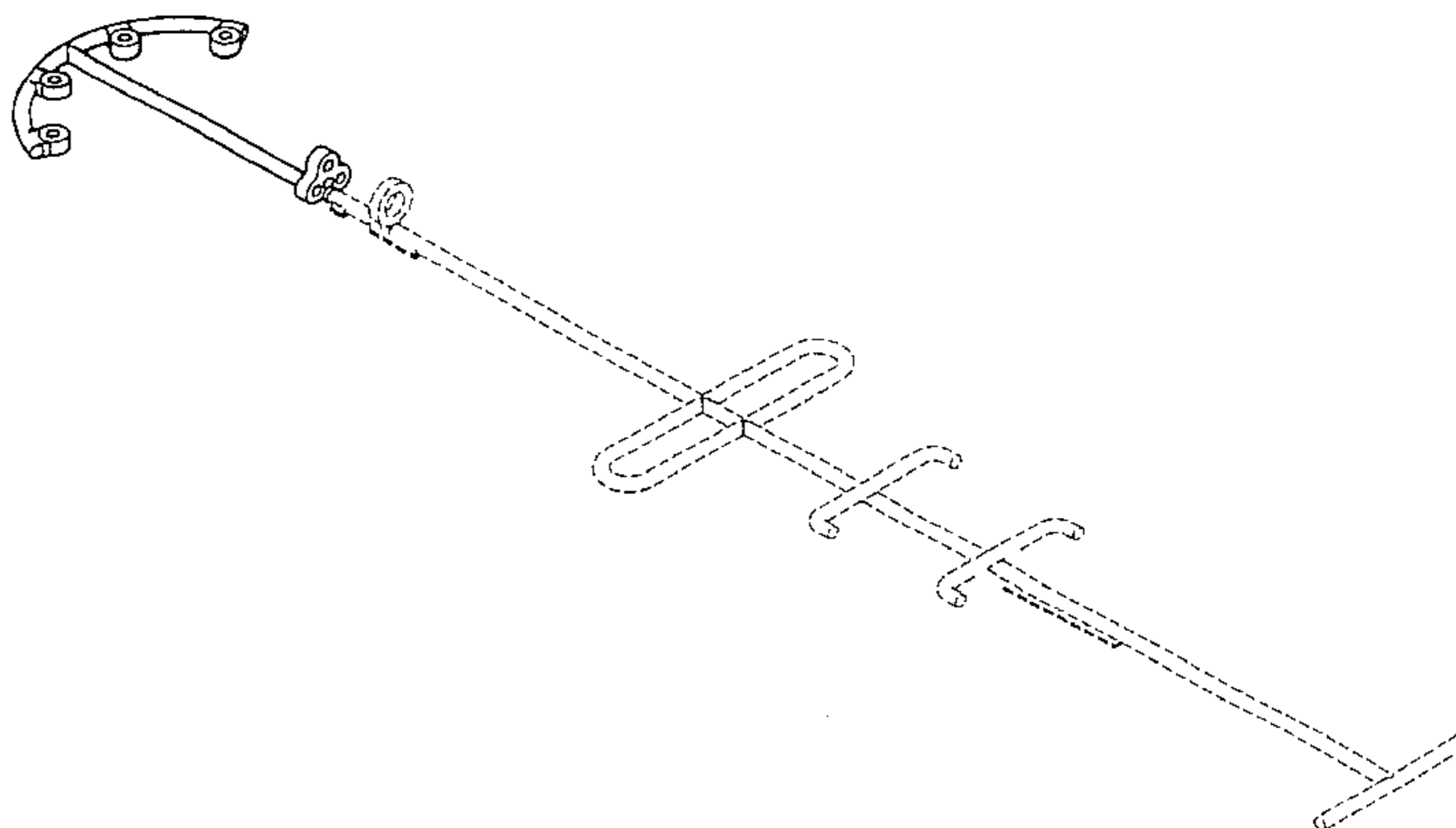


FIG. 1

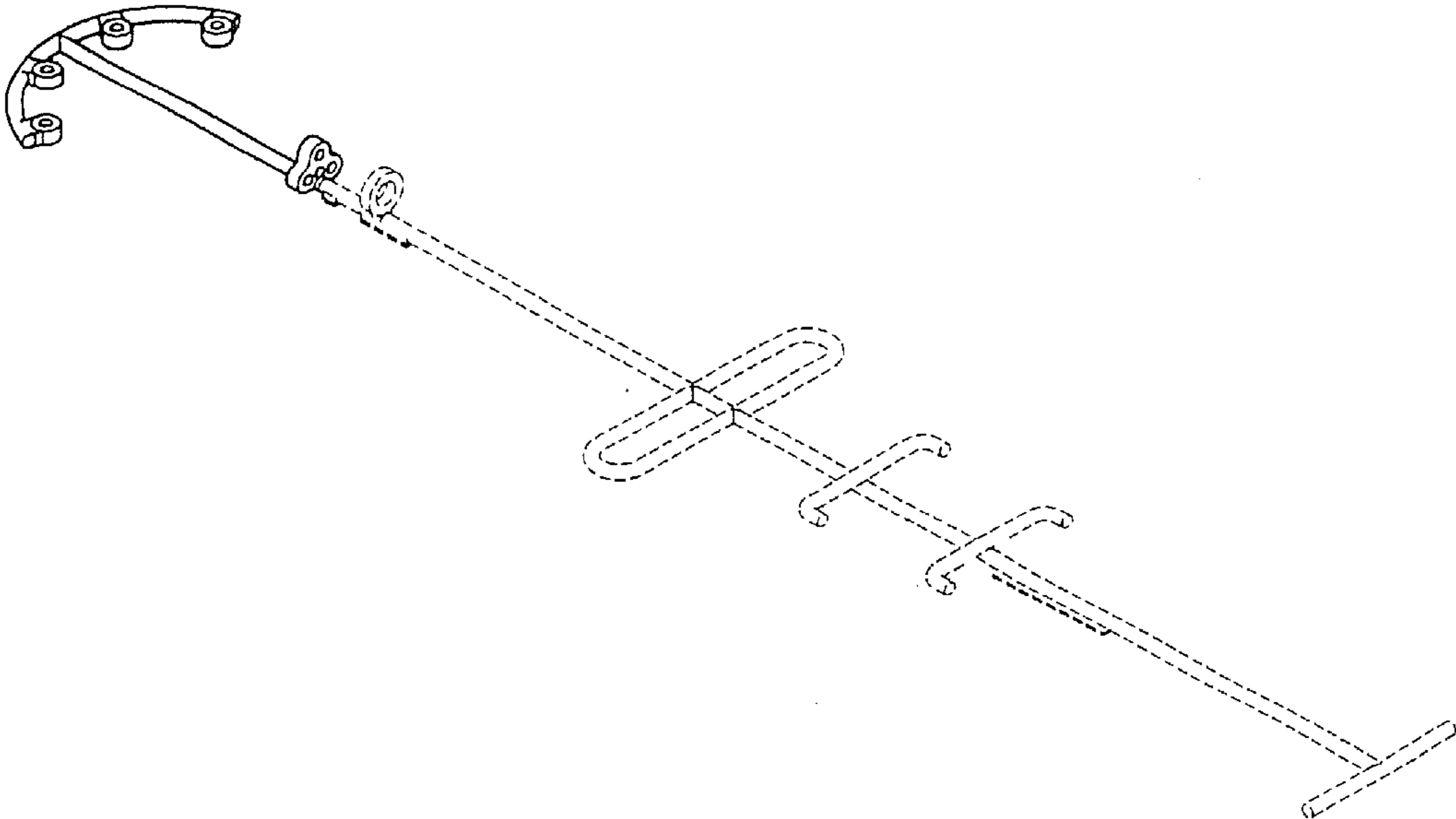


FIG. 2

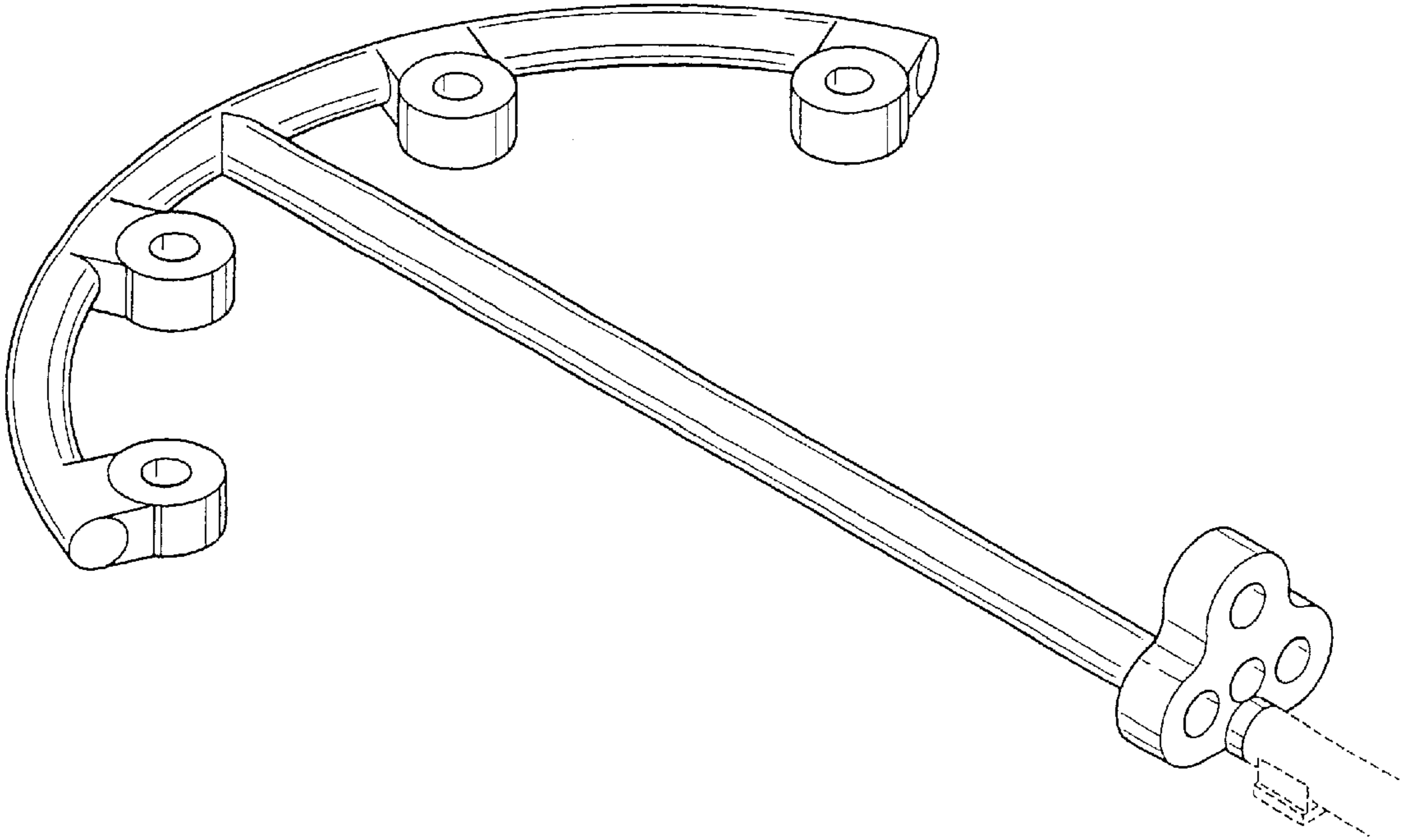


FIG. 3

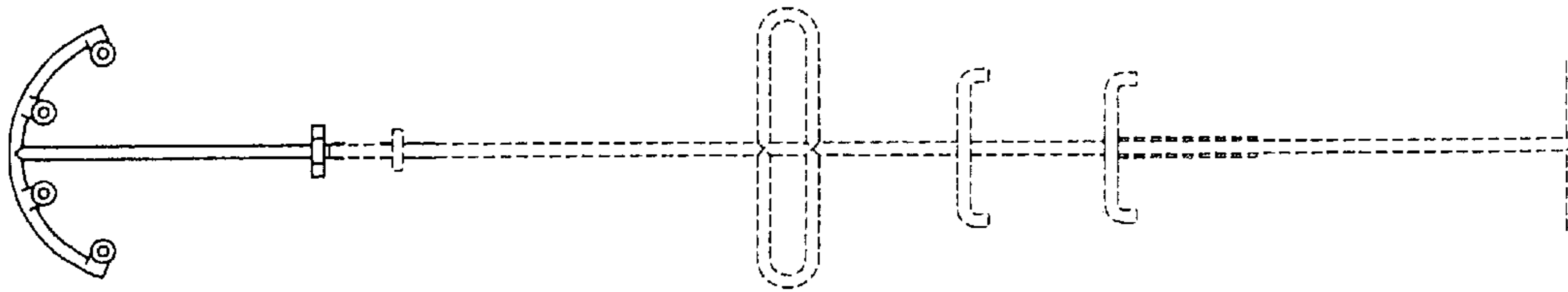


FIG. 4

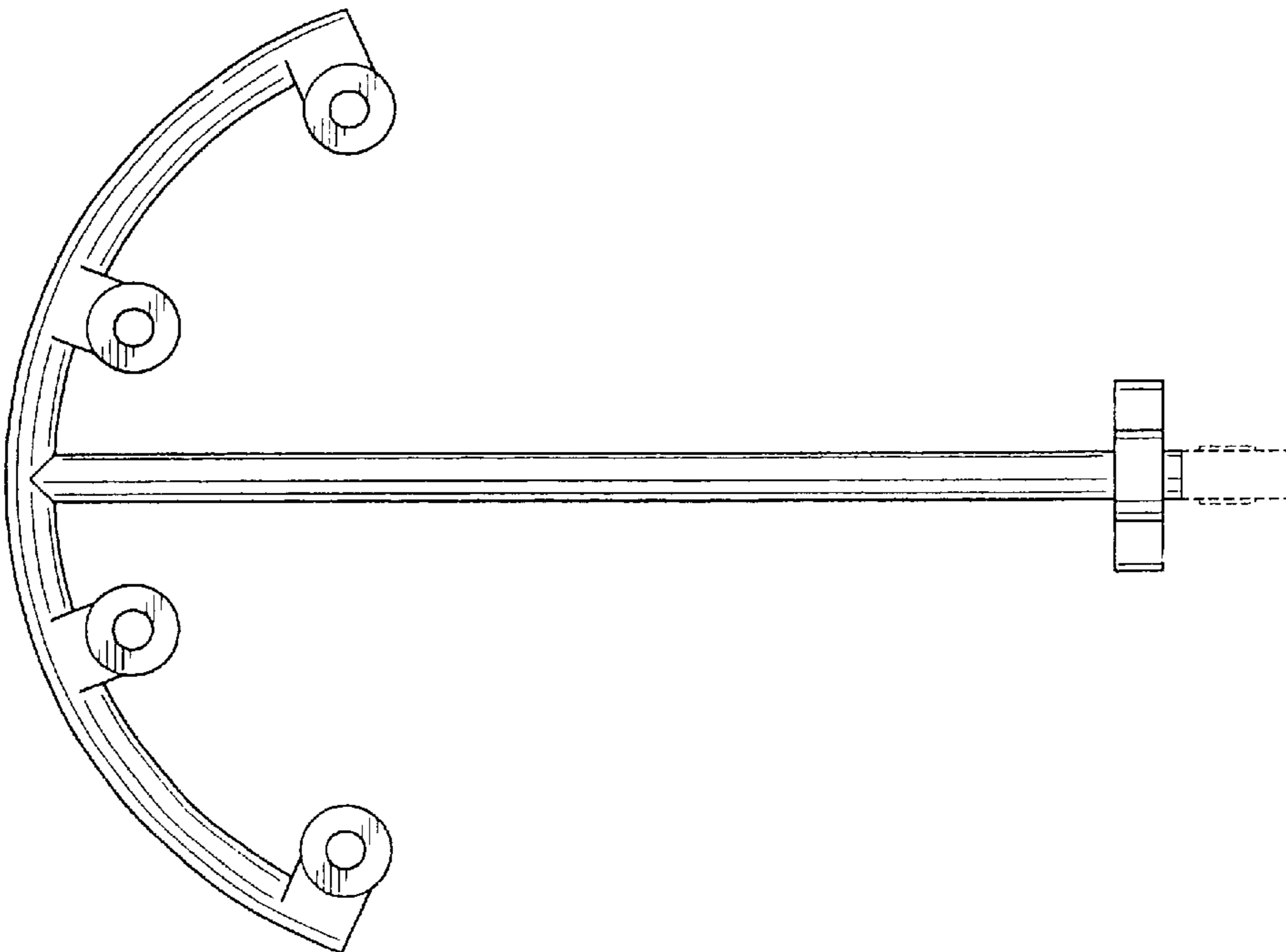


FIG. 5

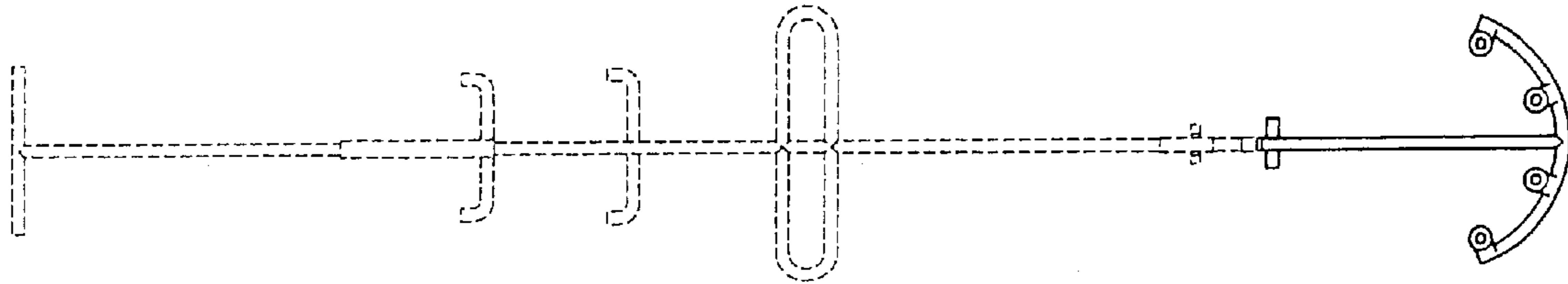


FIG. 6

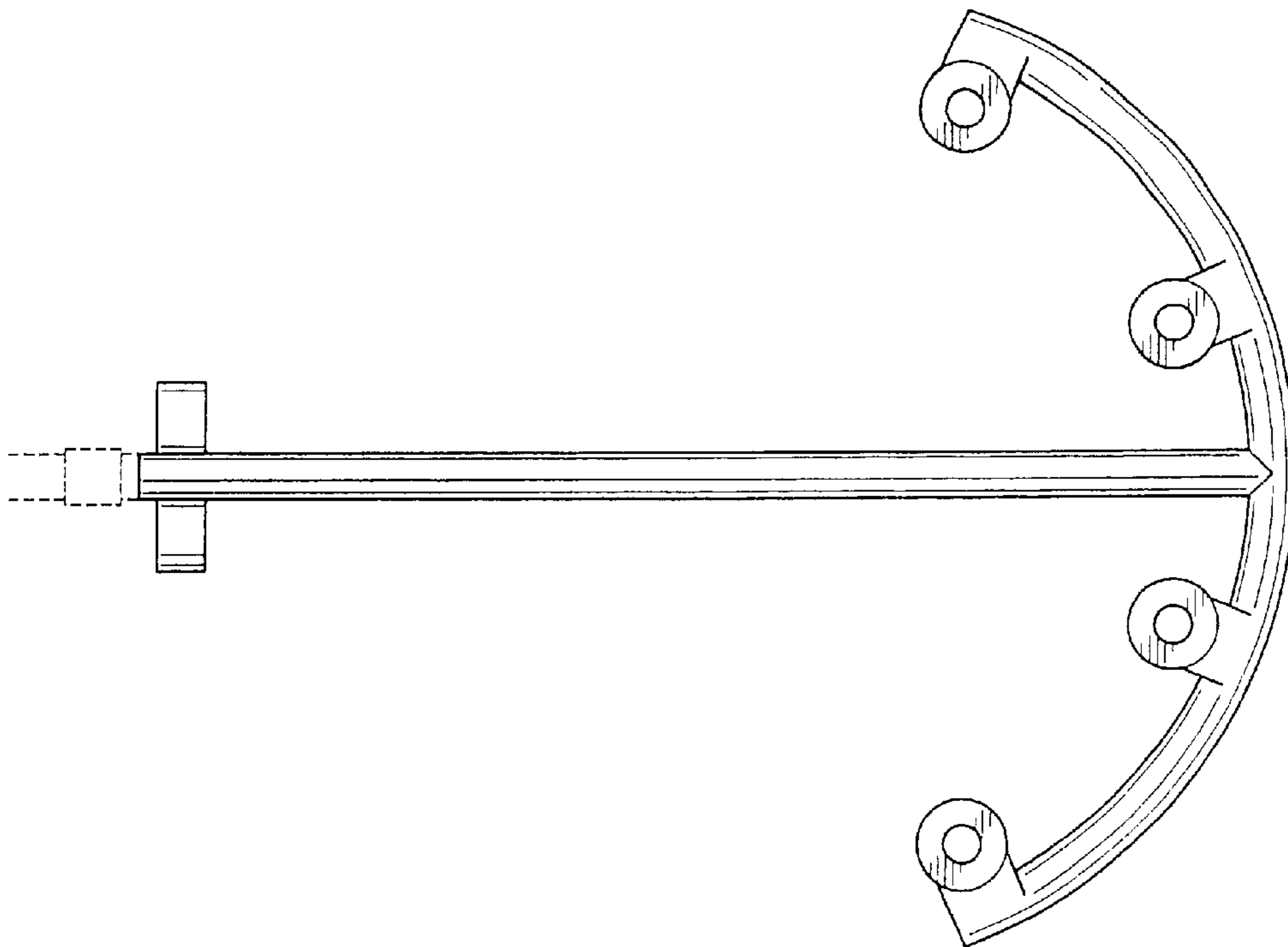


FIG. 7

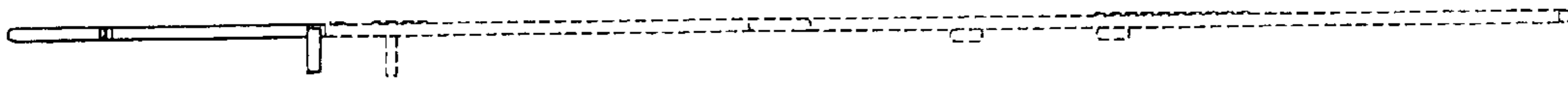


FIG. 8

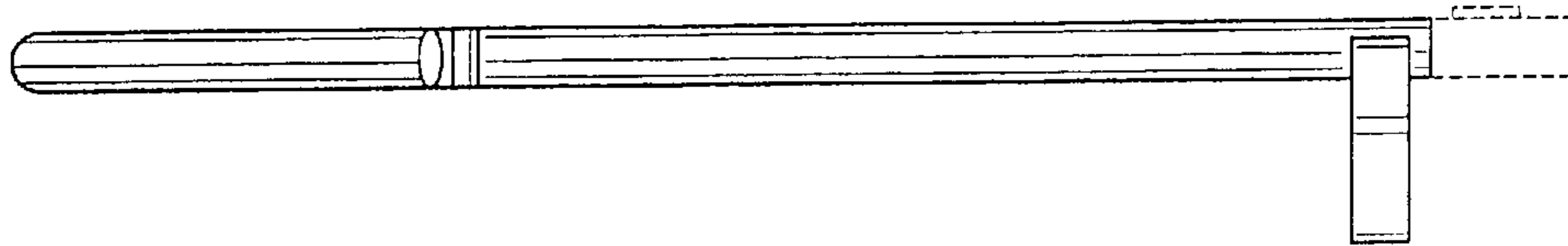


FIG. 9

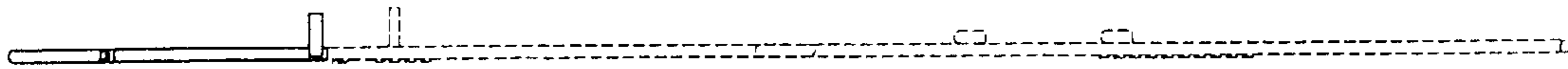


FIG. 10

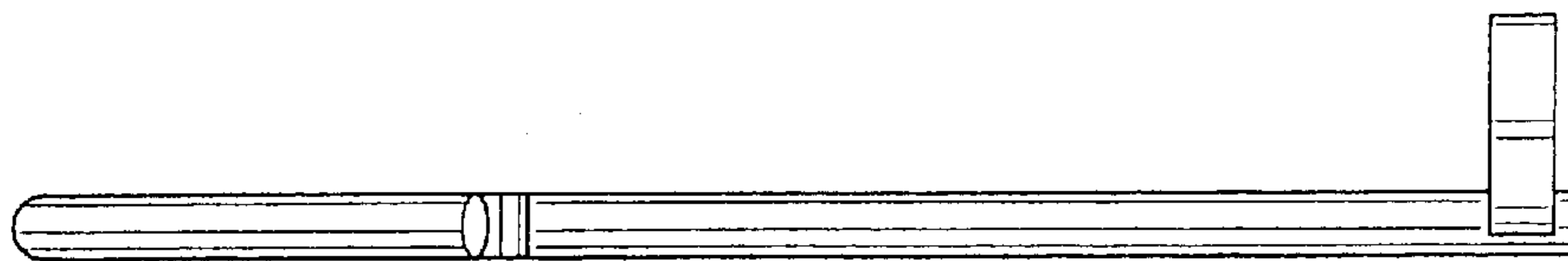


FIG. 11



FIG. 12

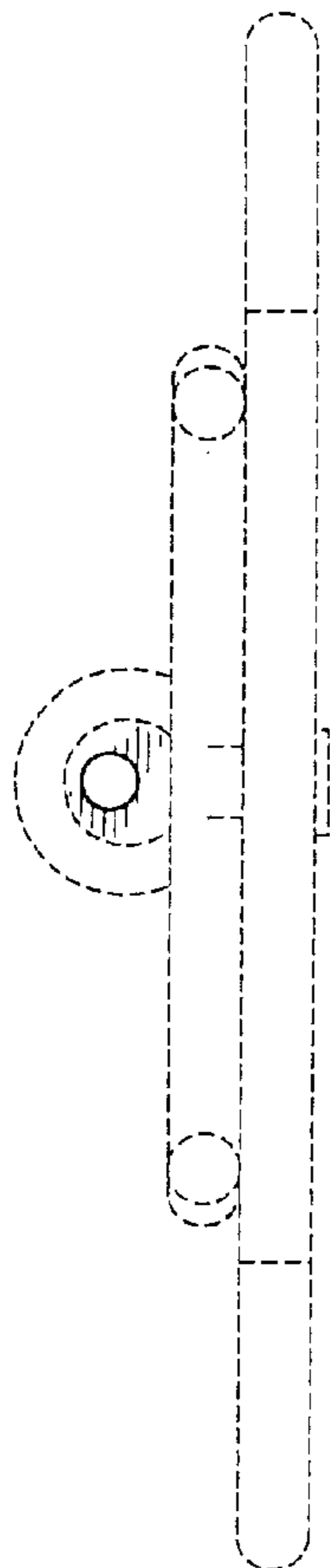


FIG. 13



FIG. 14

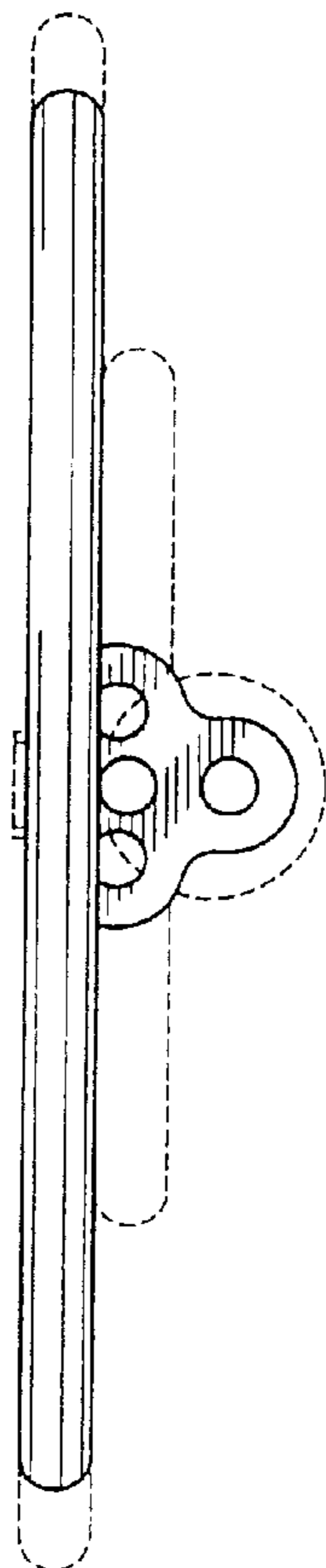


FIG. 15

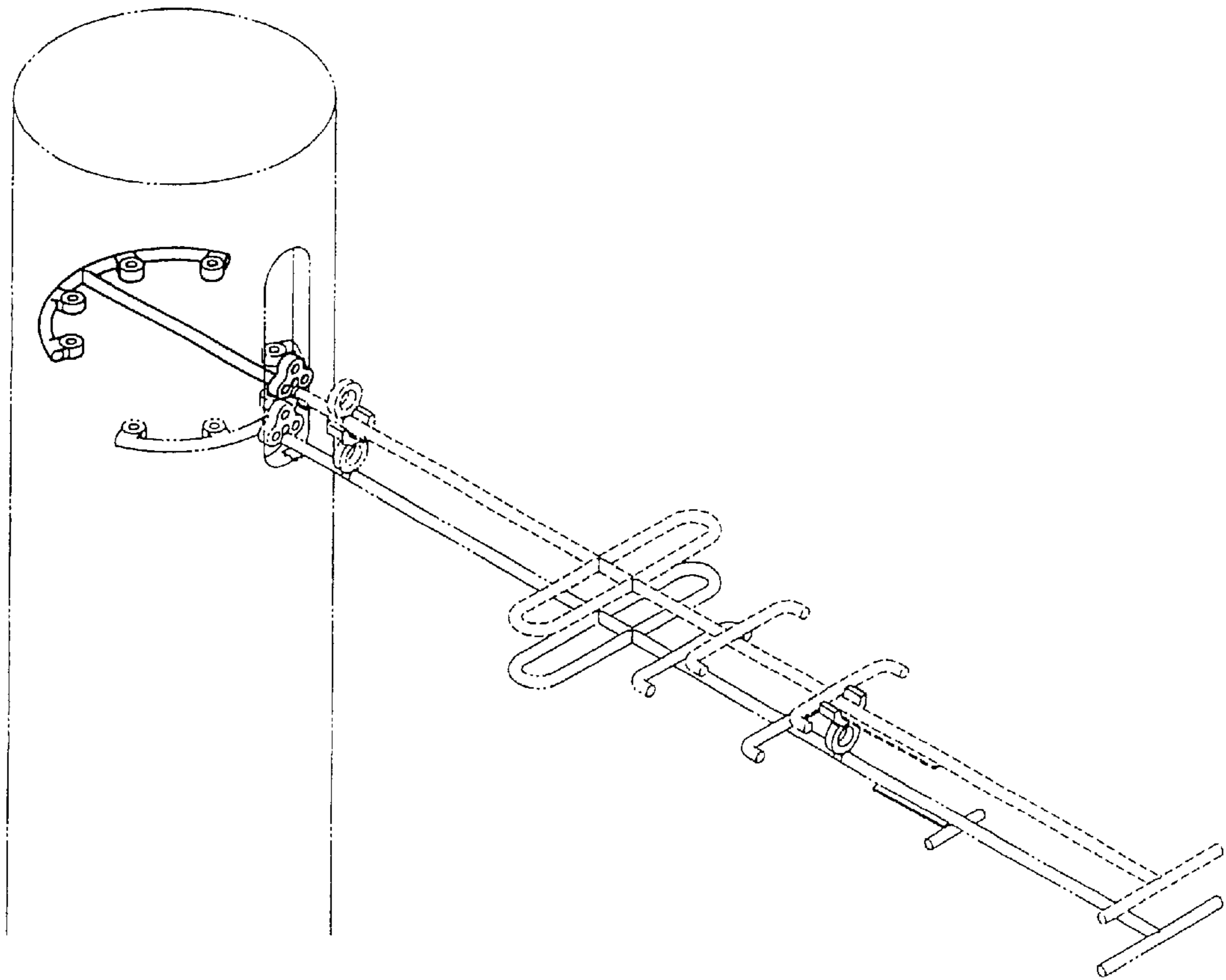


FIG. 16

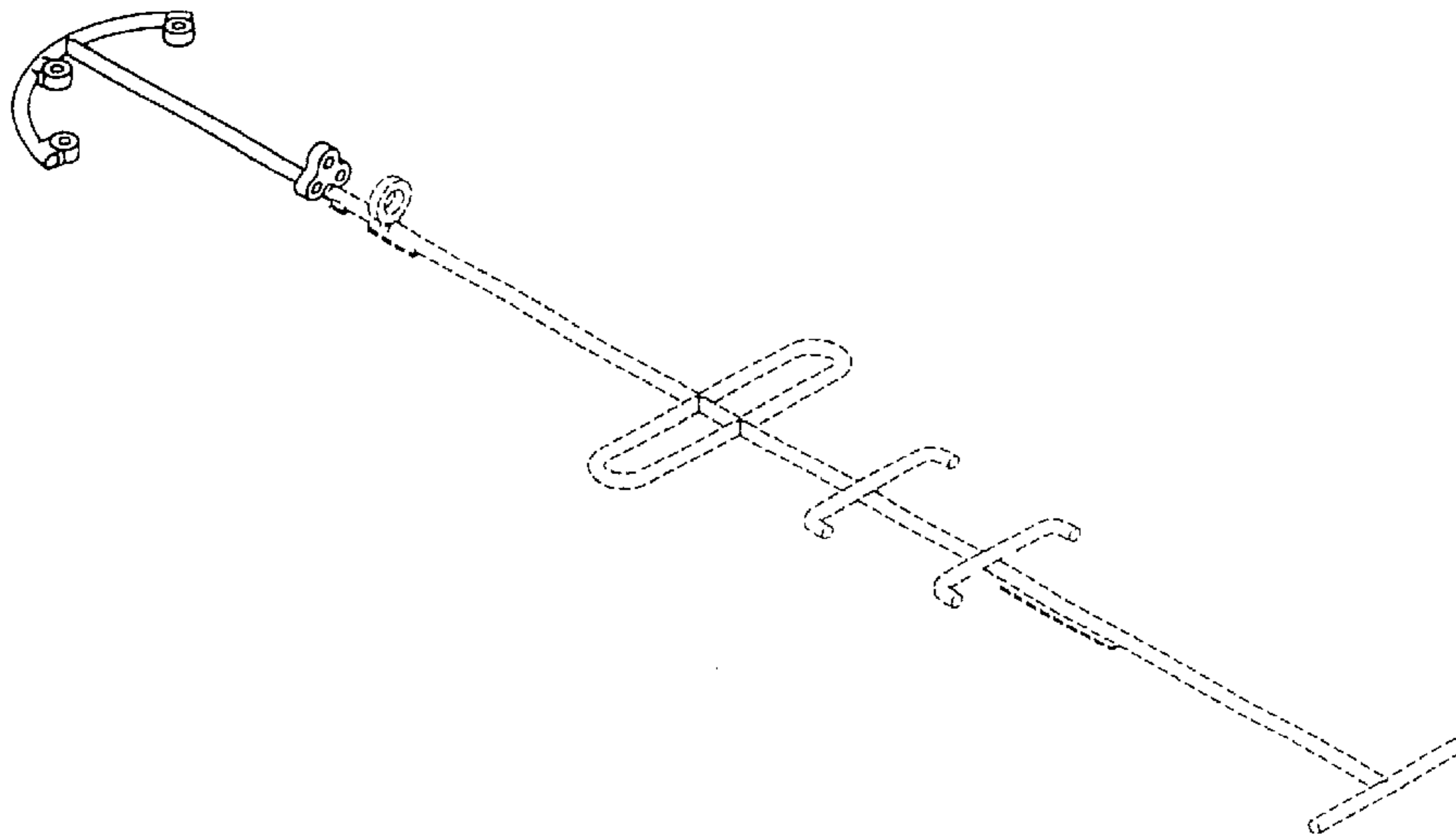


FIG. 17

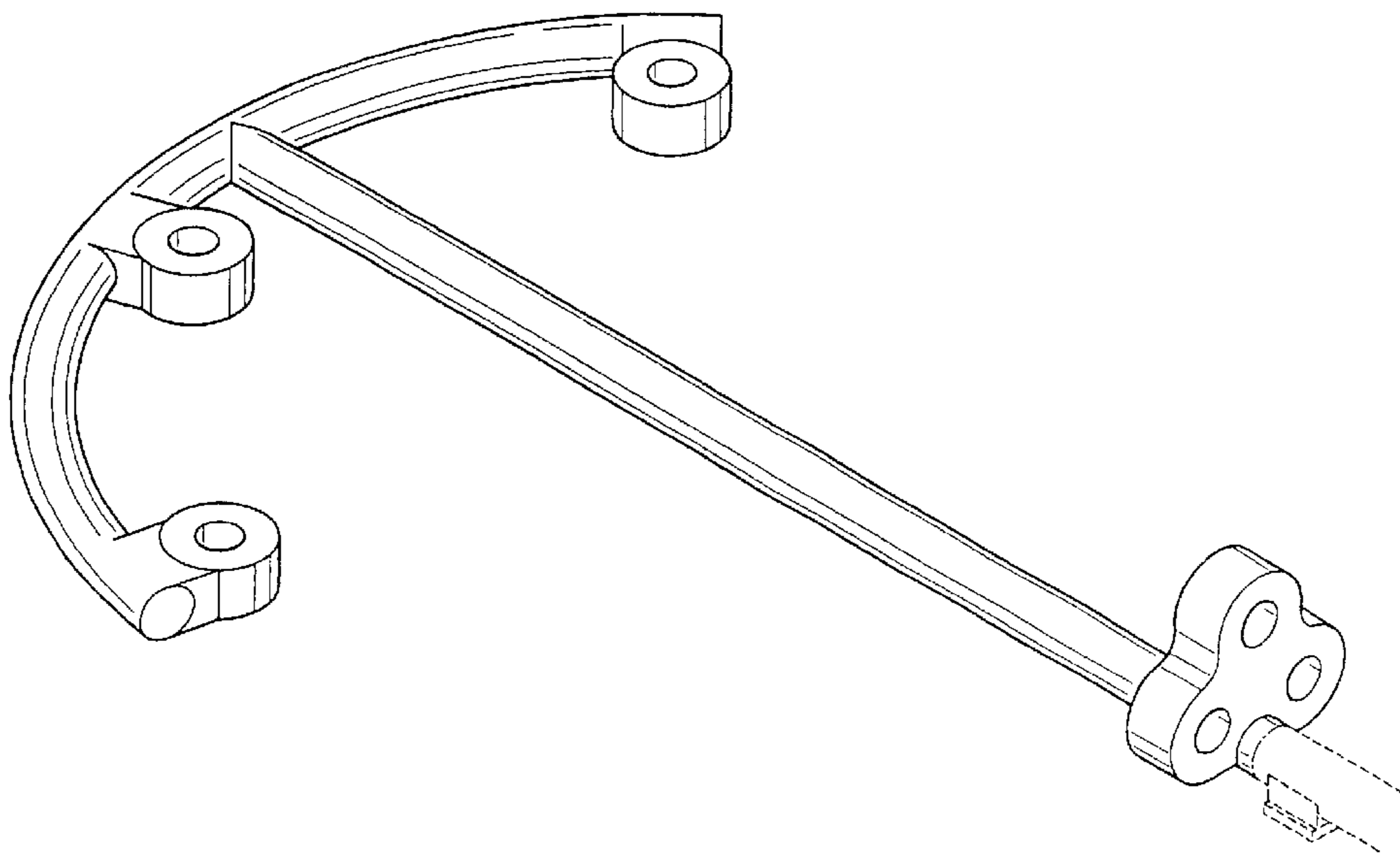


FIG. 18

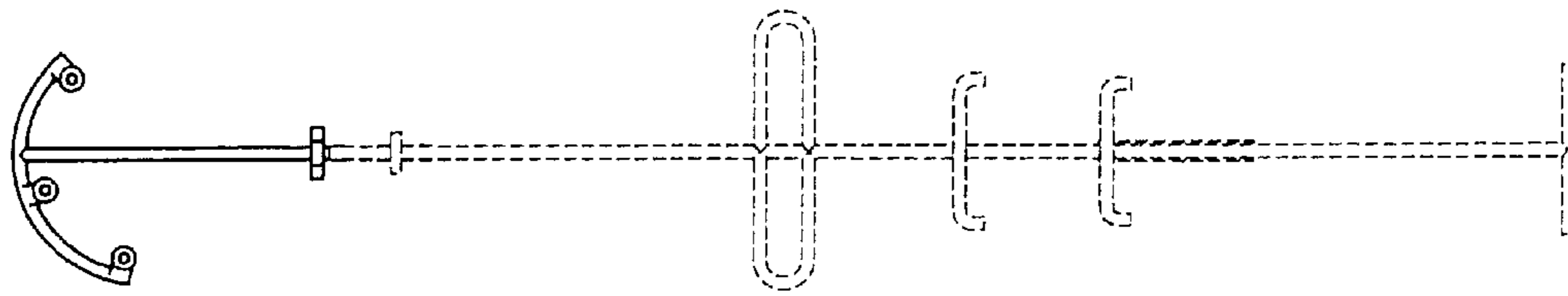


FIG. 19

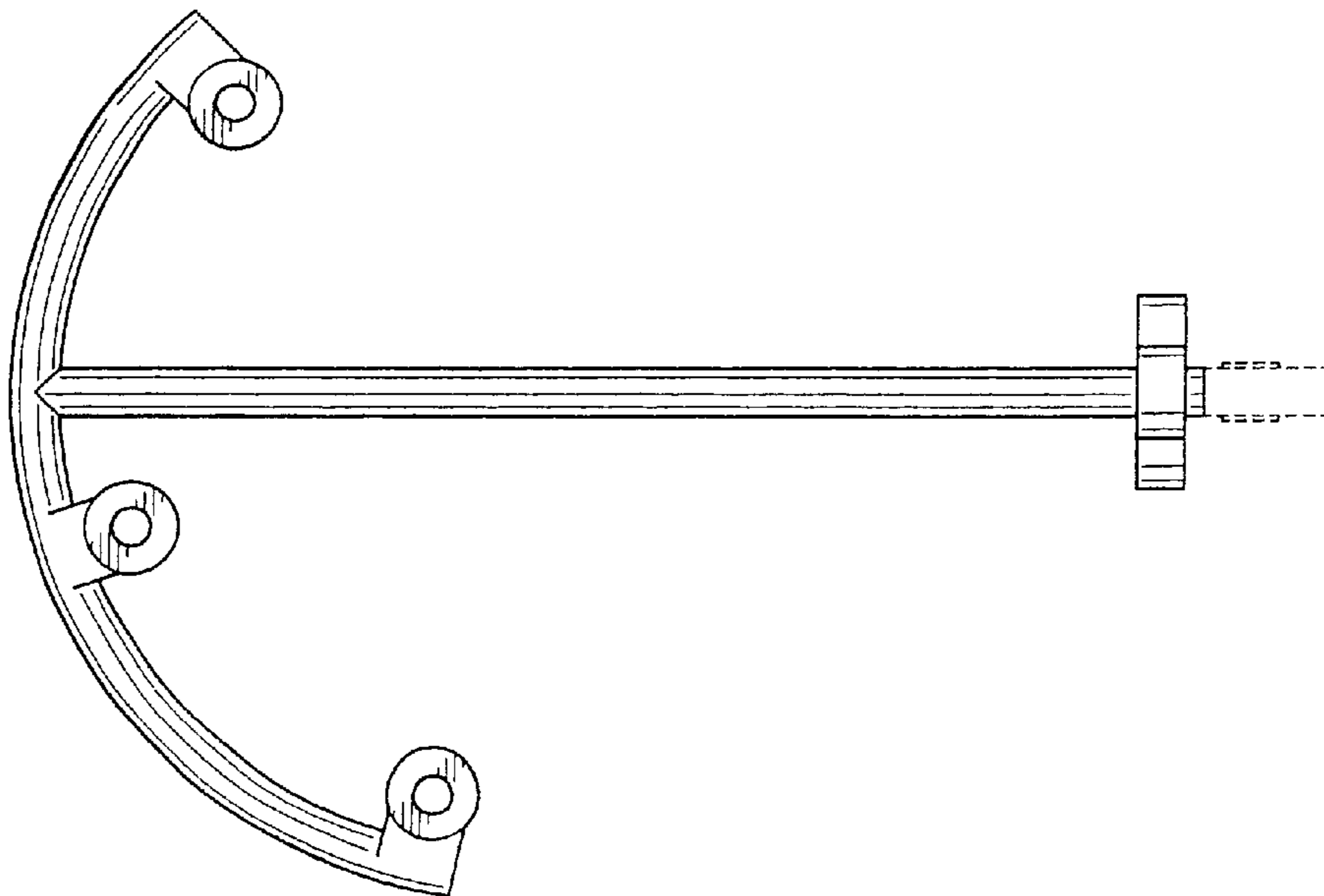


FIG. 20

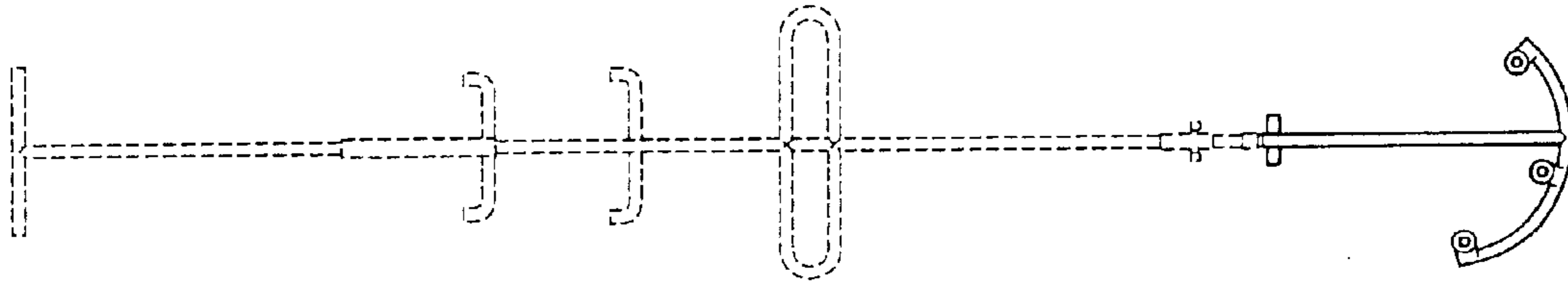


FIG. 21

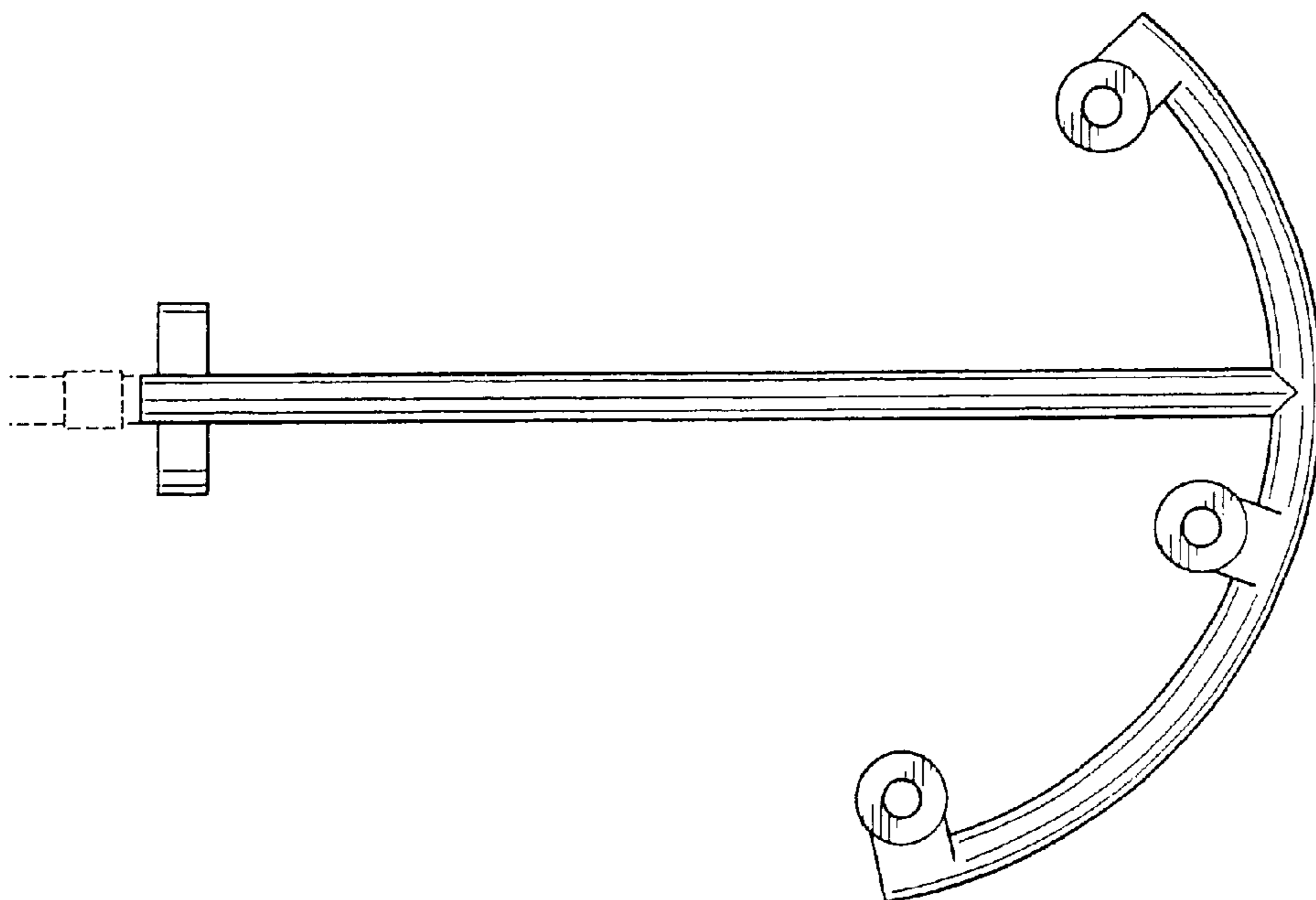


FIG. 22

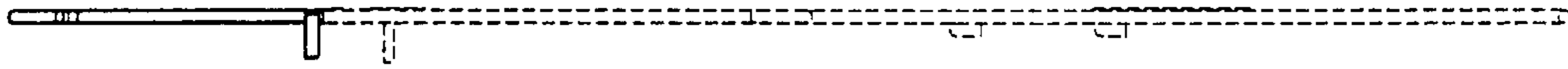


FIG. 23

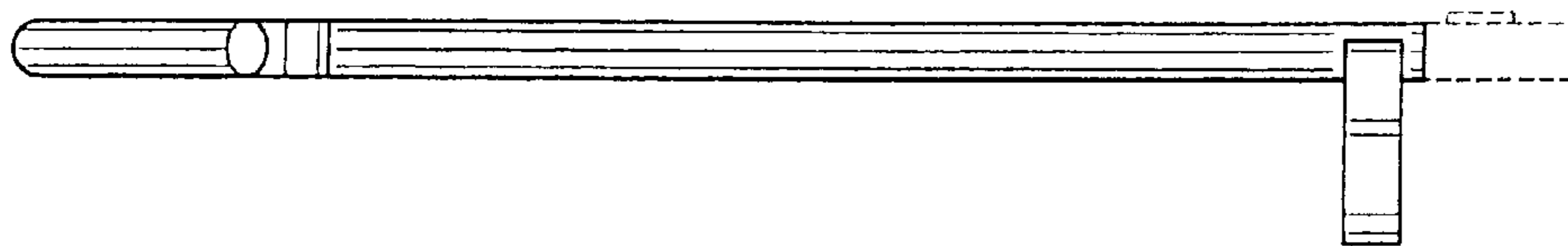


FIG. 24

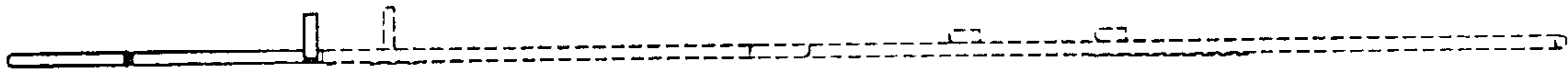


FIG. 25

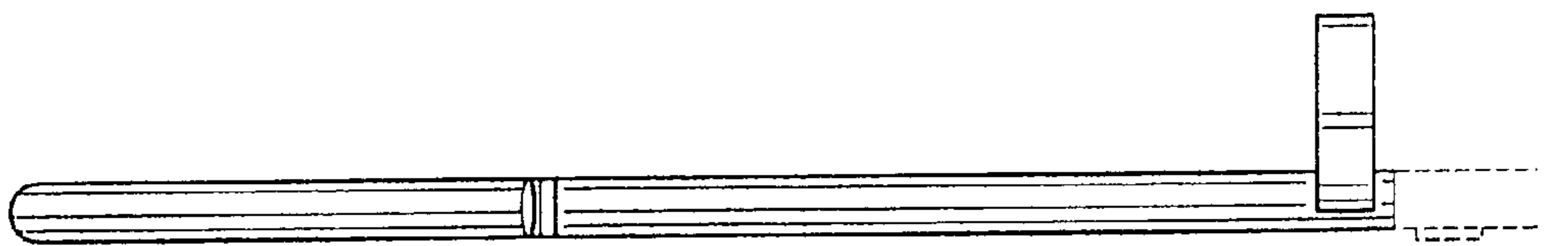


FIG. 26



FIG. 27

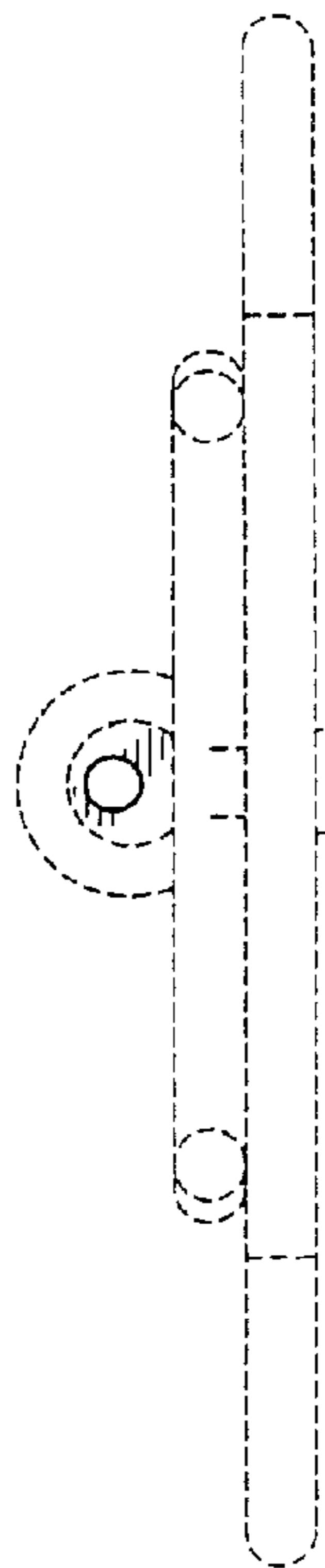


FIG. 28



FIG. 29

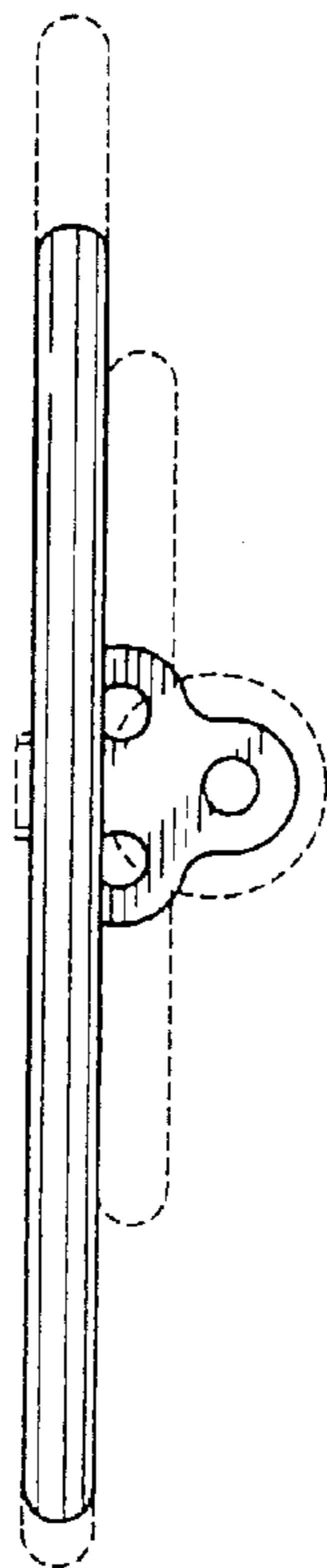


FIG. 30

