



US00D530183S

(12) **United States Design Patent**
Brockington et al.

(10) **Patent No.:** **US D530,183 S**
(45) **Date of Patent:** **** Oct. 17, 2006**

(54) **RECREATIONAL VEHICLE SCREEN DOOR LATCH ACTUATOR**

(75) Inventors: **William T. Brockington**, Kernersville, NC (US); **Jeffrey R. Russell**, Winston Salem, NC (US); **Donald R. Caine**, Greensboro, NC (US); **Anthony D. Moore**, Summerfield, NC (US); **Kenneth M. Krewson**, Lansdale, PA (US)

(73) Assignee: **Camco Manufacturing, Inc.**, Greensboro, NC (US)

(**) Term: **14 Years**

(21) Appl. No.: **29/241,956**

(22) Filed: **Nov. 3, 2005**

(51) **LOC (8) Cl.** **08-06**

(52) **U.S. Cl.** **D8/302**

(58) **Field of Classification Search** D8/300, D8/301, 302, DIG. 10; 180/271, 282; 70/107, 70/234; 292/113, 336.3, 341.8, 144, 357, 292/172, 169.14, DIG. 27; 222/107
See application file for complete search history.

(56) **References Cited**

U.S. PATENT DOCUMENTS

3,719,248 A * 3/1973 Breitschwerdt et al. 180/271

3,993,223 A * 11/1976 Welker et al. 222/107
4,052,092 A * 10/1977 Bergen 292/172
5,076,514 A * 12/1991 Melcher 244/129.4
5,088,778 A * 2/1992 Lin 292/336.3
5,611,227 A * 3/1997 Solovieff 70/472
6,234,548 B1 * 5/2001 Mittelbach et al. 292/336.3
6,279,360 B1 * 8/2001 Shen 70/224
6,363,577 B1 * 4/2002 Spitzley 292/336.3
6,406,072 B1 * 6/2002 Chen 292/144
6,585,302 B1 * 7/2003 Lin 292/142
6,722,716 B1 * 4/2004 Baser 292/336.3
6,758,070 B1 * 7/2004 Yu et al. 70/107

* cited by examiner

Primary Examiner—Paula A. Greene

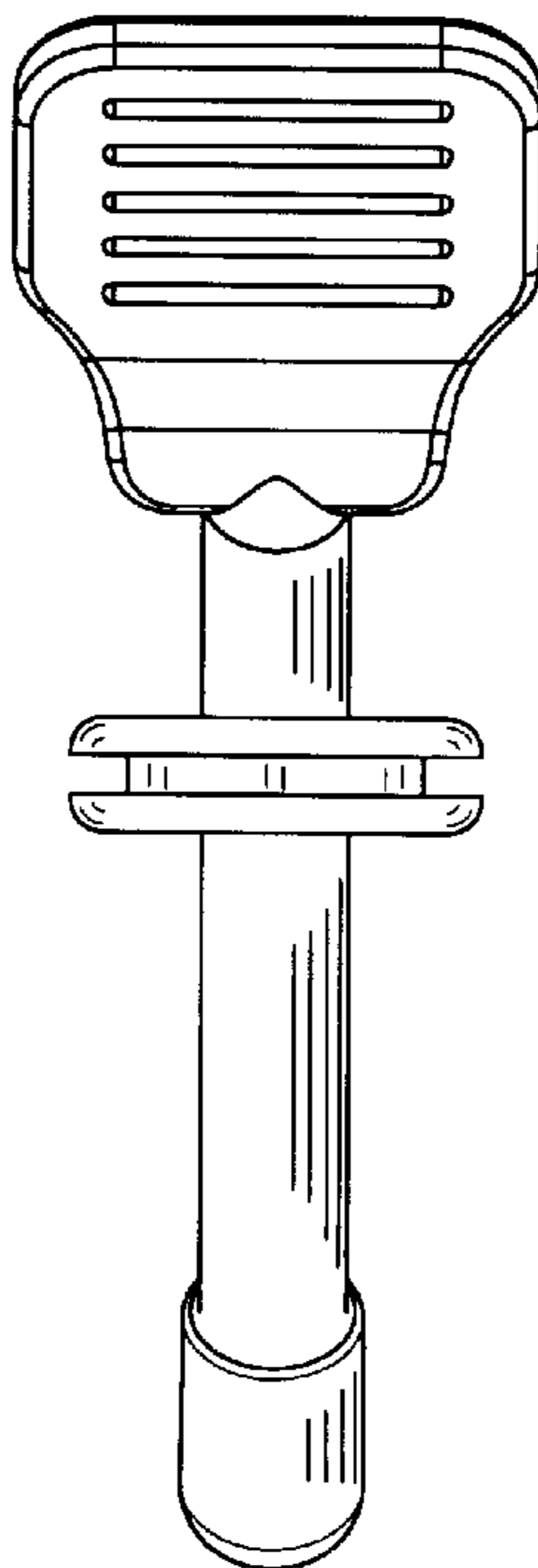
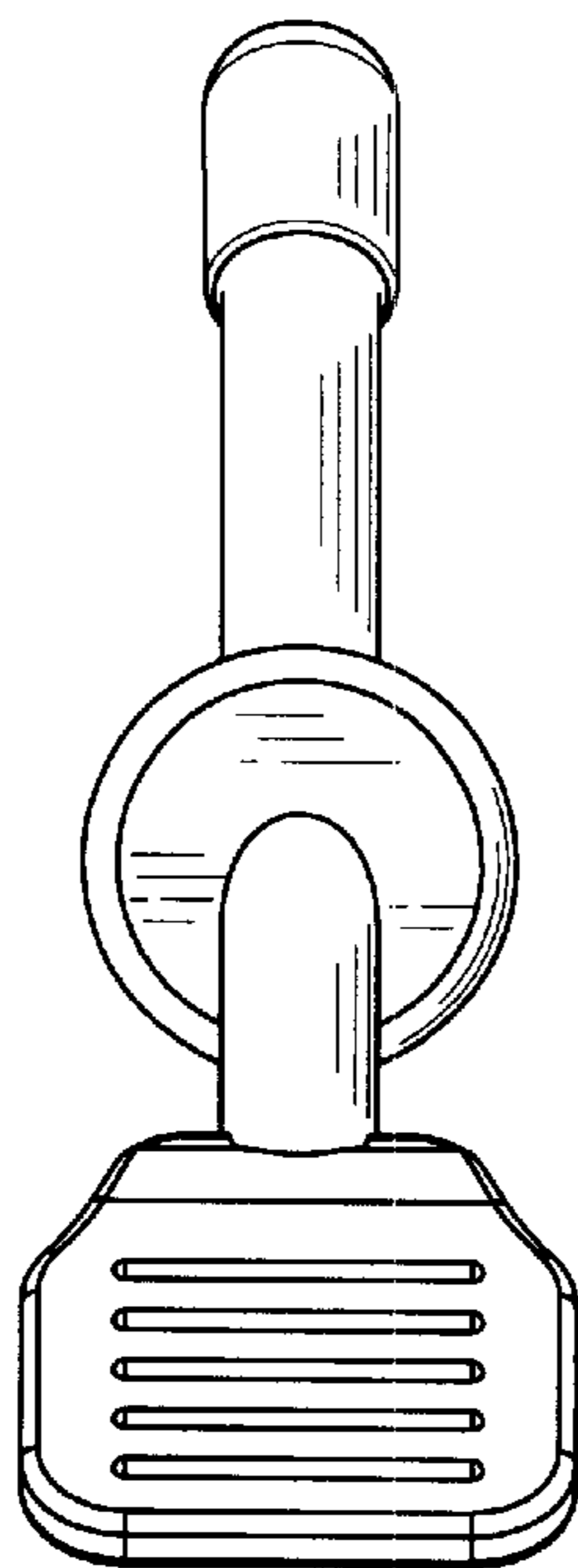
(57) **CLAIM**

The ornamental design for an recreational vehicle screen door latch actuator, as shown and described.

DESCRIPTION

FIG. 1 is a front elevational view of our design;
FIG. 2 is a rear elevational view of our design;
FIG. 3 is a left side elevational view of our design;
FIG. 4 is a right side elevational view of our design;
FIG. 5 is a top plan view of our design; and,
FIG. 6 is a bottom plan view of our design.

1 Claim, 2 Drawing Sheets



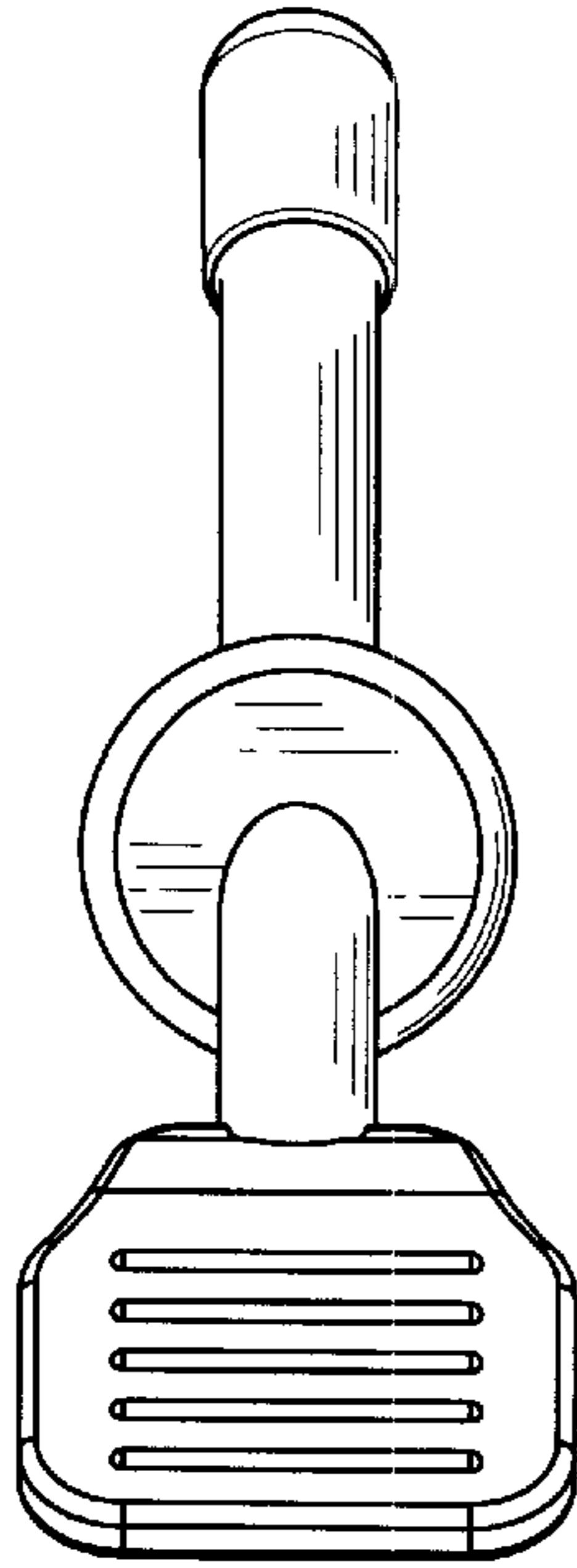


FIG. 1

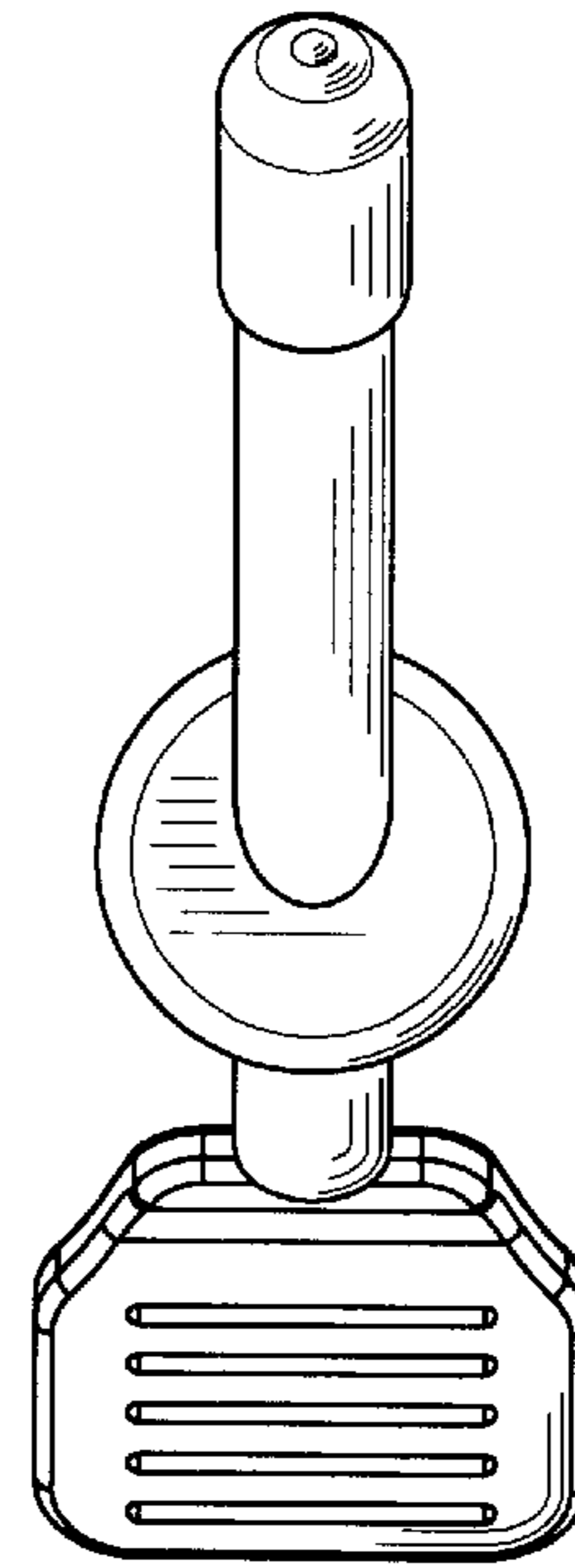


FIG. 2

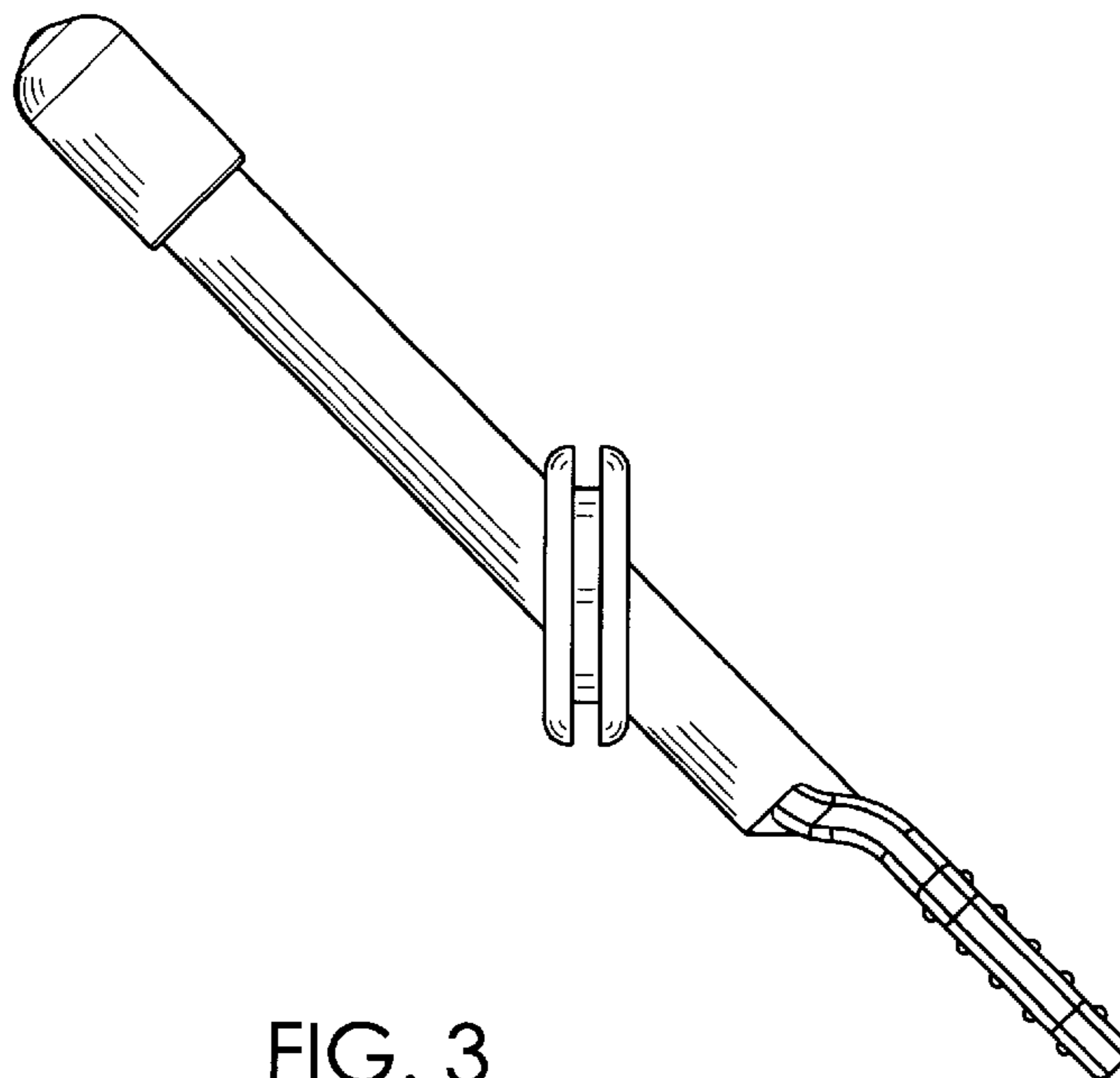


FIG. 3

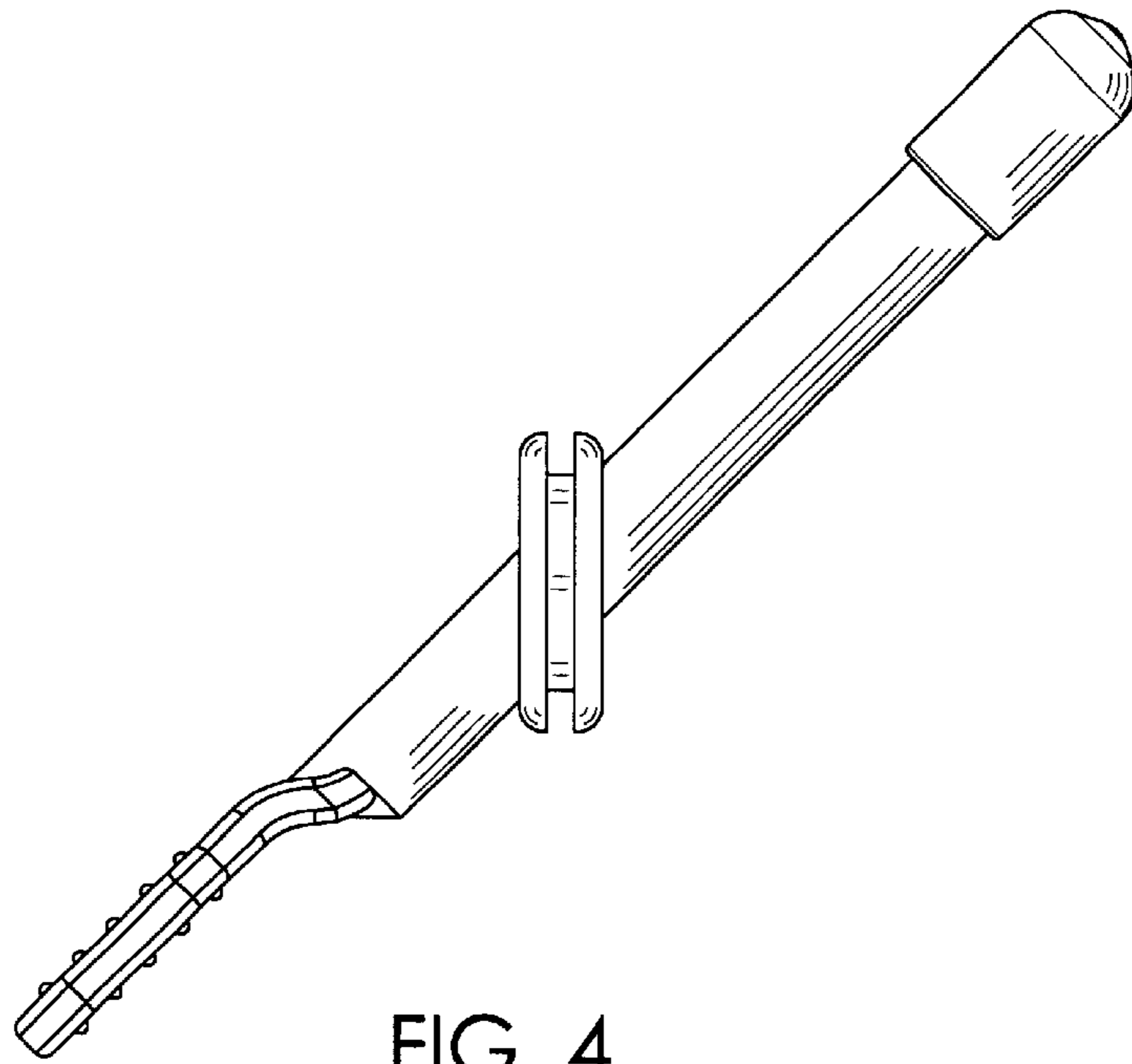


FIG. 4

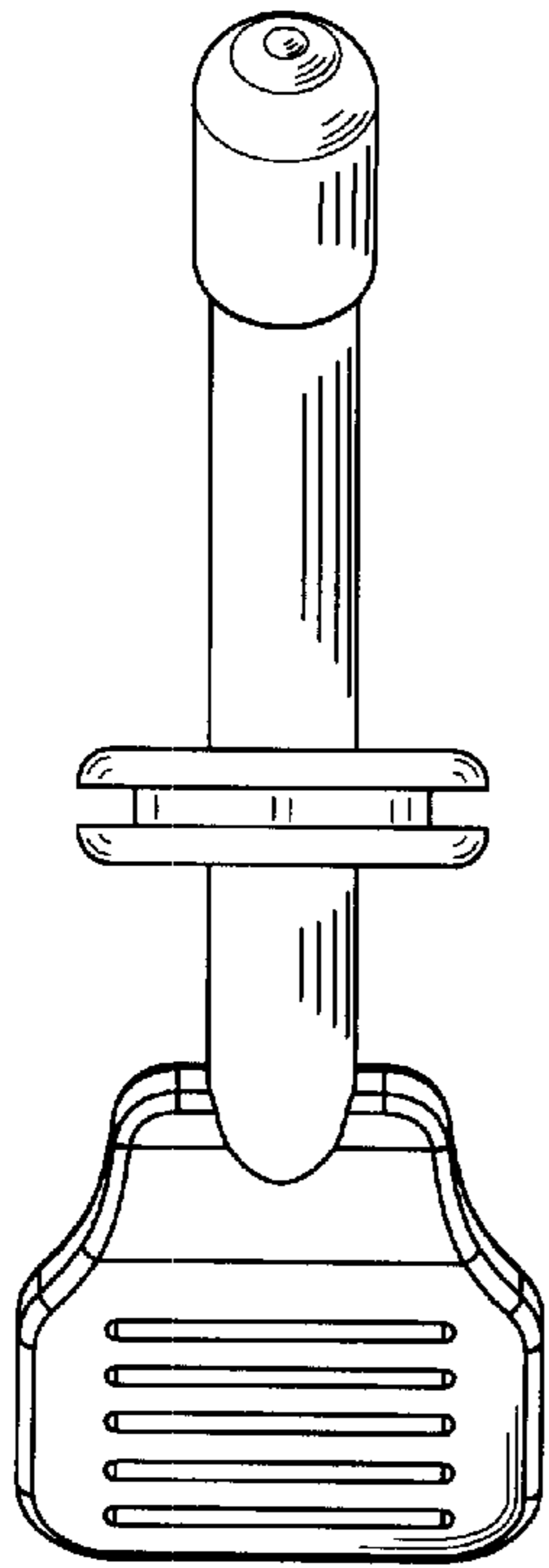


FIG. 5

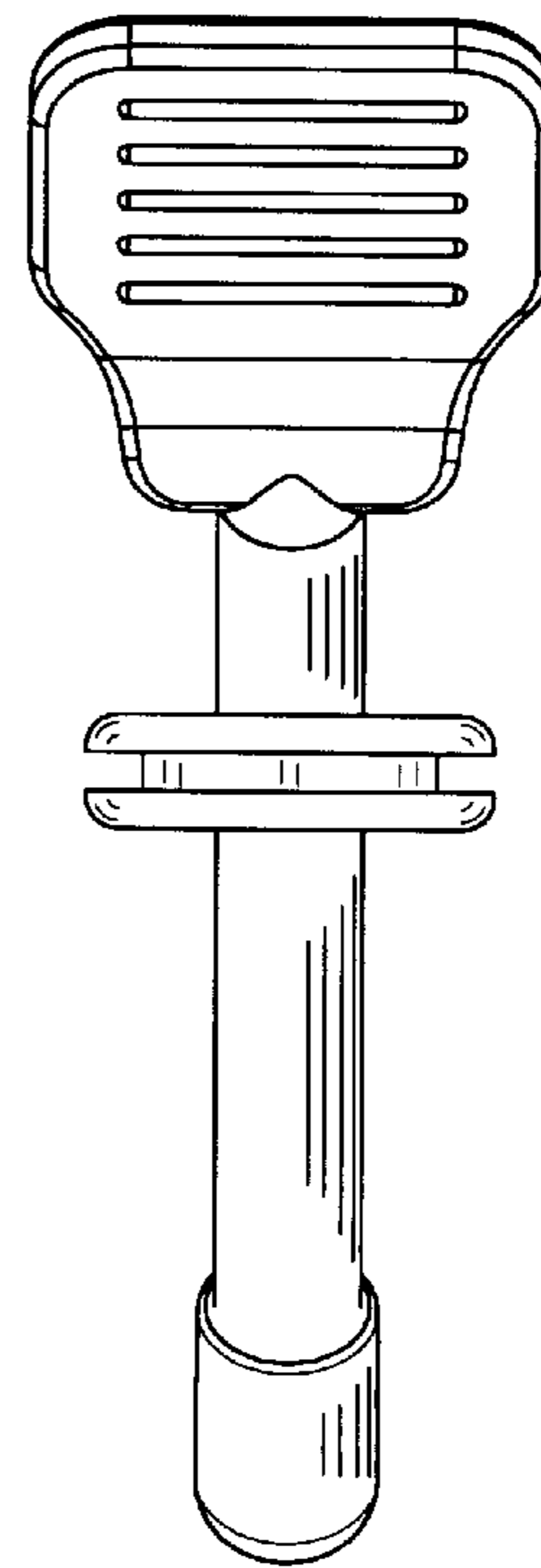


FIG. 6