

US00D530181S

(12) **United States Design Patent**
Straka, Jr. et al.

(10) **Patent No.:** **US D530,181 S**
(45) **Date of Patent:** **** Oct. 17, 2006**

(54) **LATCH HANDLE ASSEMBLY**

D452,808 S 1/2002 Kyle
D458,891 S * 6/2002 Whitley D12/317

(75) Inventors: **Robert Lewis Straka, Jr.**, Phoenixville, PA (US); **Claes Magnusson**, Stockholm (SE)

(Continued)

FOREIGN PATENT DOCUMENTS

(73) Assignee: **Southco, Inc.**, Concordville, PA (US)

DE 4041207 C1 12/1990
EP 0239229 9/1987
GB 547399 8/1942
GB 856362 12/1960
GB 2258008 1/1993

(**) Term: **14 Years**

(21) Appl. No.: **29/235,726**

(22) Filed: **Aug. 4, 2005**

Primary Examiner—Prabhakar Deshmukh
(74) *Attorney, Agent, or Firm*—Paul & Paul

Related U.S. Application Data

(57) **CLAIM**

(63) Continuation of application No. 29/200,434, filed on Feb. 27, 2004, now abandoned, which is a continuation-in-part of application No. 10/784,706, filed on Feb. 22, 2004, now abandoned.

The ornamental design for a latch handle assembly, as shown and described.

(51) **LOC (8) Cl.** **08-07**

(52) **U.S. Cl.** **D8/301; D8/331**

(58) **Field of Classification Search** D8/330–309, D8/331, 343, DIG. 10; 70/77, 91, 136, 141, 70/174, 208, 471; 292/336.3, 322, 359, 348, 292/337, 195, 198, 207, DIG. 26, DIG. 31; 16/207, 214, 371, 408, 409, 440
See application file for complete search history.

DESCRIPTION

FIG. 1 is a perspective view of a latch handle assembly embodying our new design, with the handle in the folded-down position;
FIG. 2 is a front view thereof;
FIG. 3 is a rear view thereof;
FIG. 4 is a right side view thereof;
FIG. 5 is a left side view thereof;
FIG. 6 is a top view thereof;
FIG. 7 is a perspective view of the latch handle assembly of FIG. 1 showing the handle in the raised position;
FIG. 8 is a front view of the latch handle assembly of FIG. 7;
FIG. 9 is a rear view of the latch handle assembly of FIG. 7;
FIG. 10 is a right side view of the latch handle assembly of FIG. 7;
FIG. 11 is a left side view of the latch handle assembly of FIG. 7; and,
FIG. 12 is a top view of the latch handle assembly of FIG. 7.

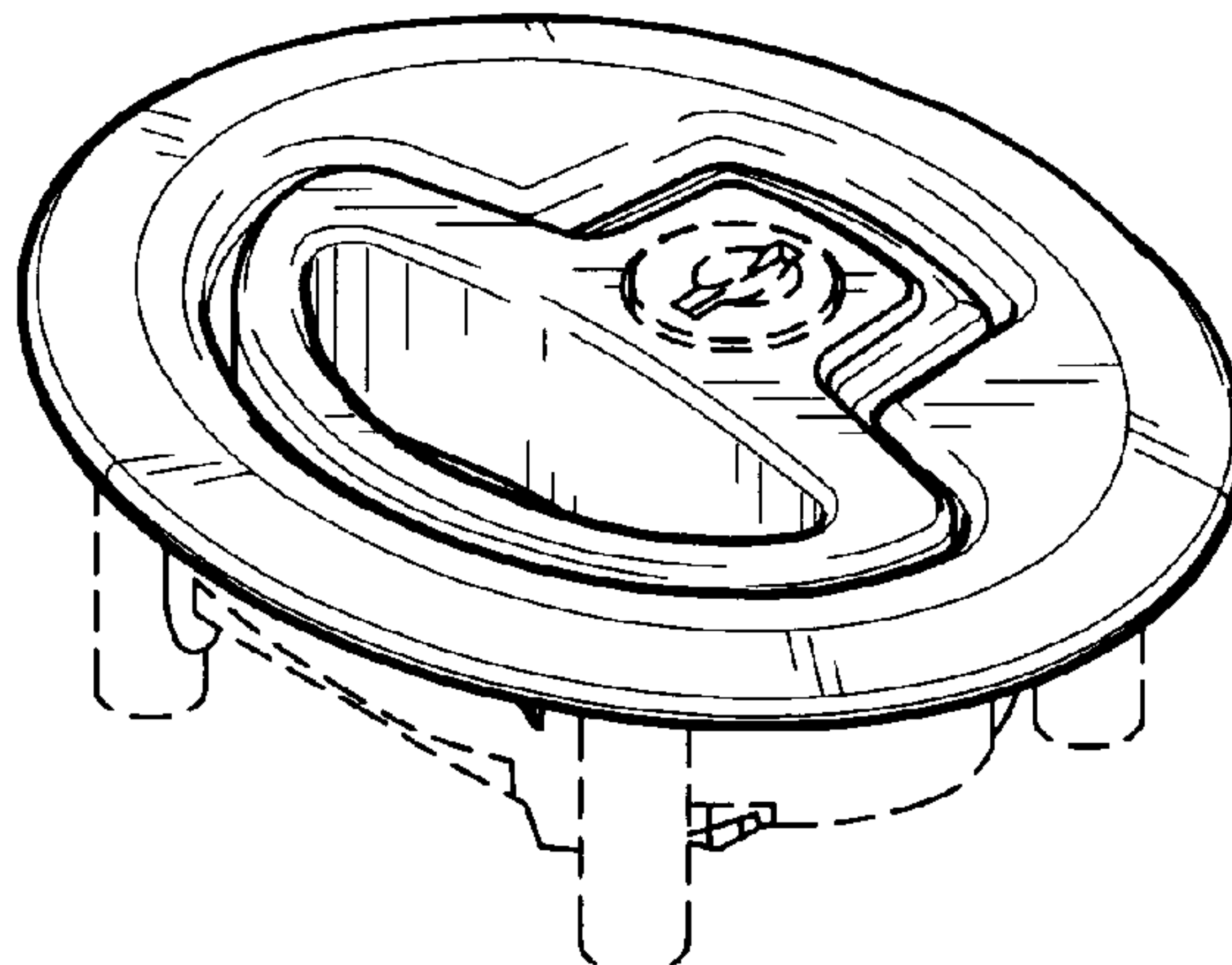
(56) **References Cited**

U.S. PATENT DOCUMENTS

1,299,529 A * 4/1919 Young 114/218
1,606,600 A * 11/1926 Richardson 16/416
4,192,536 A 3/1980 Laureano
4,706,478 A 11/1987 Swan et al.
D324,636 S 3/1992 Schlack et al.
5,234,238 A 8/1993 Takimoto
5,609,373 A 3/1997 Gromotka
5,743,575 A * 4/1998 McFarland 292/336.3
5,927,772 A 7/1999 Antonucci et al.
5,984,383 A 11/1999 Parikh et al.
D429,141 S 8/2000 Antonucci et al.
6,109,669 A 8/2000 Pinkow
D445,640 S * 7/2001 Cruz et al. D7/392
D445,664 S * 7/2001 Foster D8/301

The undisclosed bottom views are disclaimed. The broken lines are for illustrative purpose only and form no part of the claimed design.

1 Claim, 2 Drawing Sheets



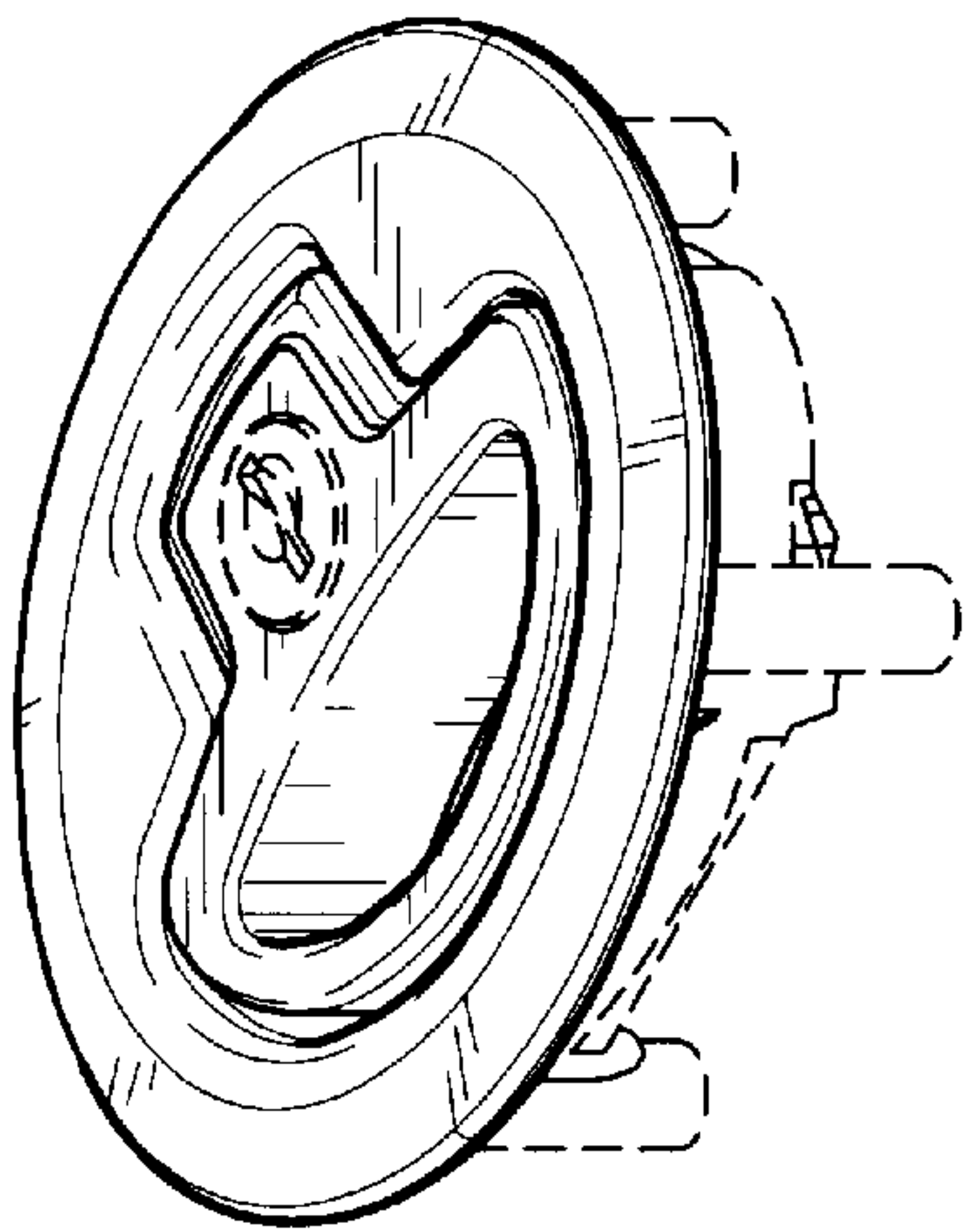


FIG. 1

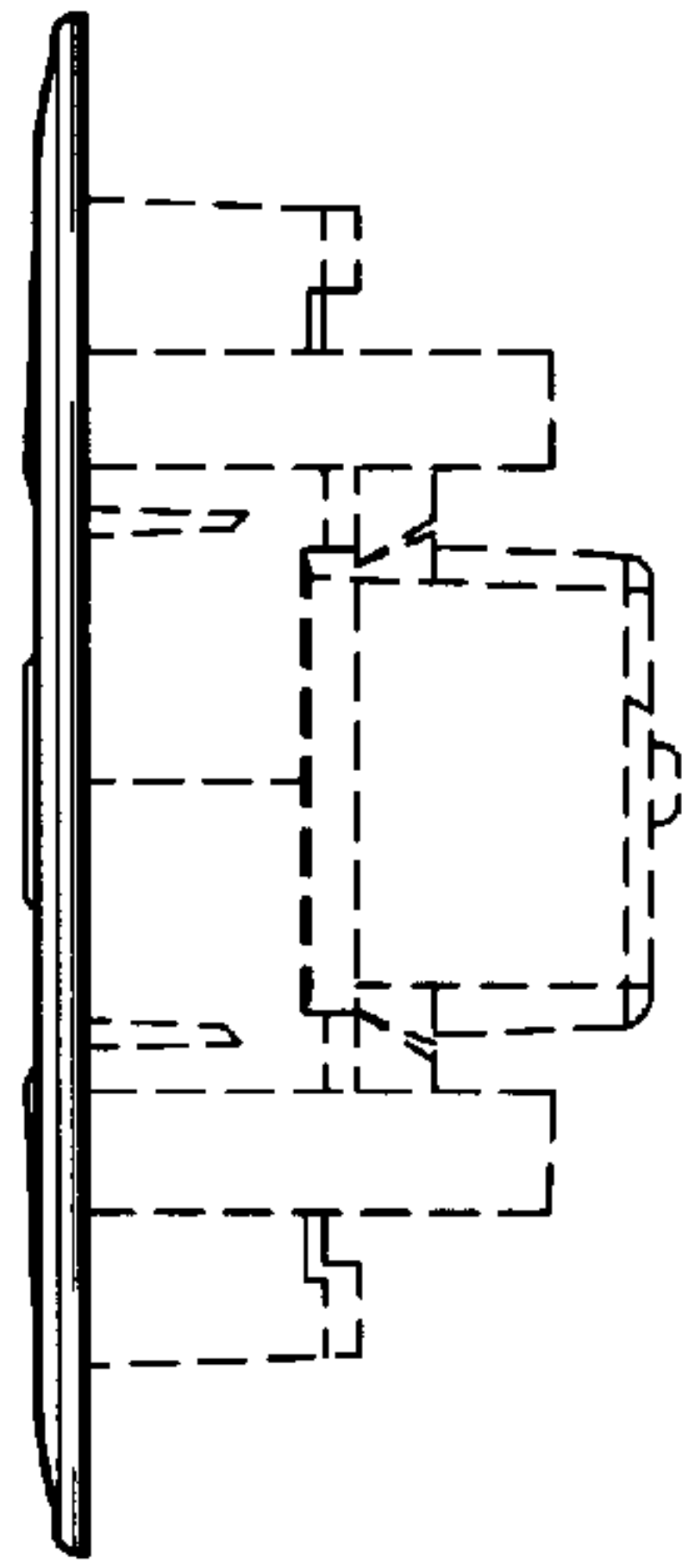


FIG. 2

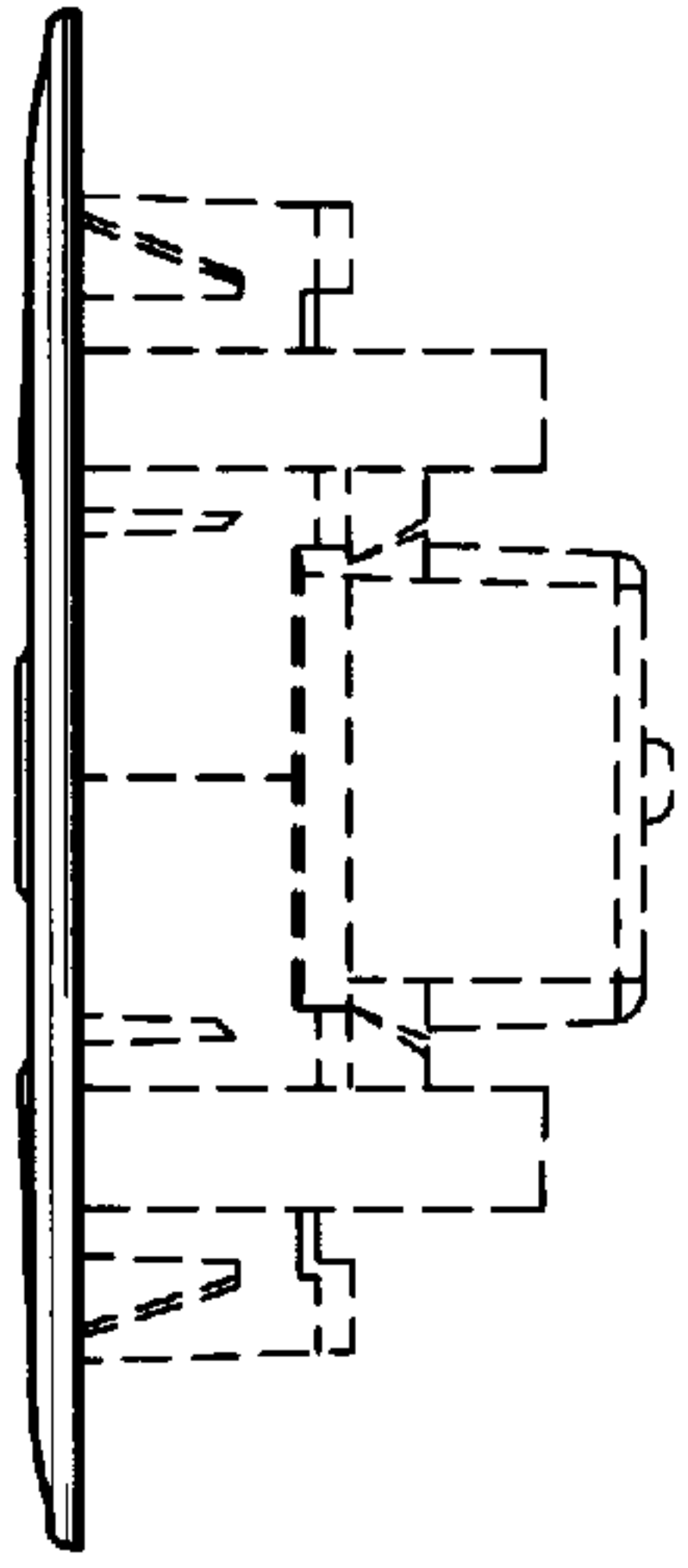


FIG. 3

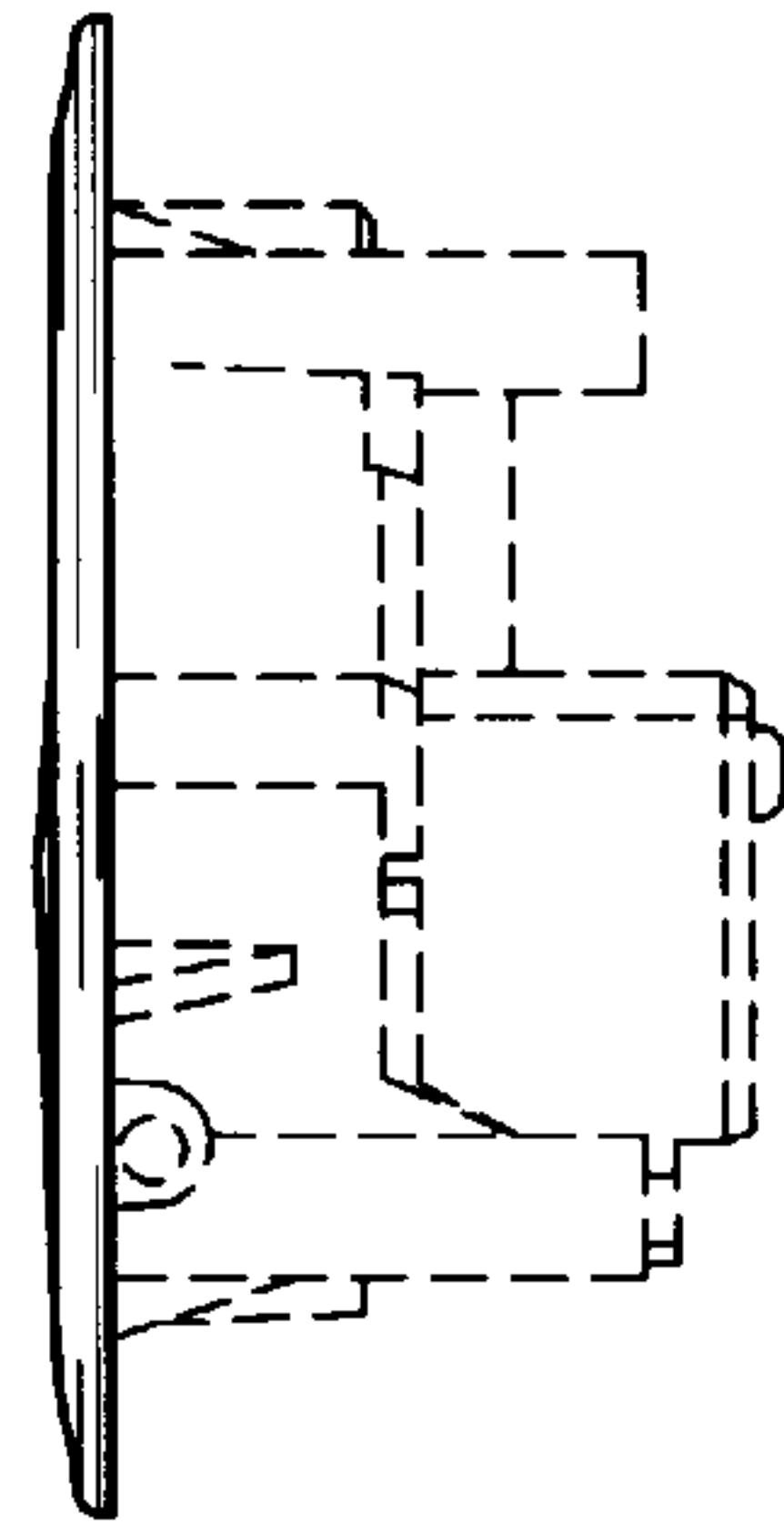


FIG. 4

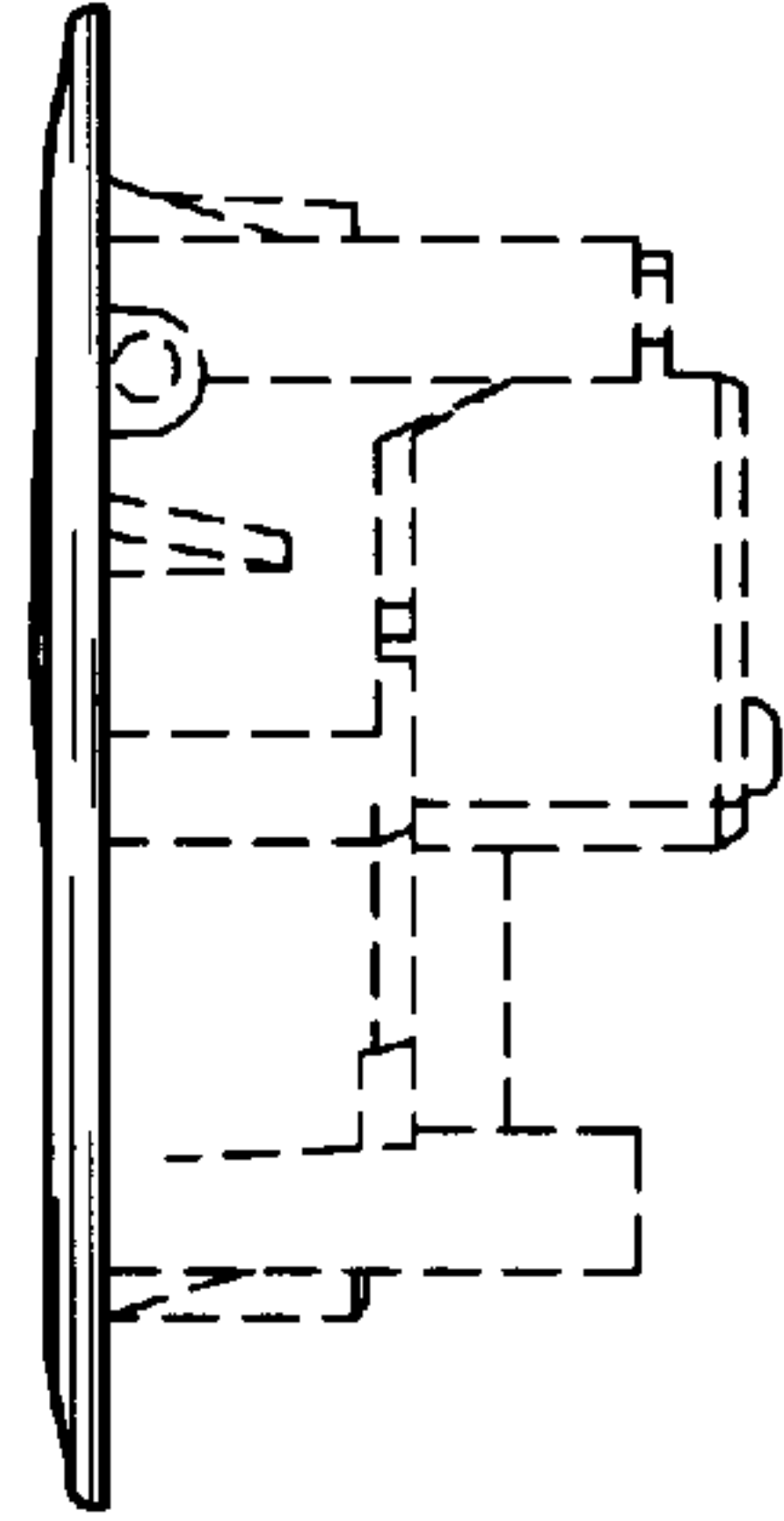


FIG. 5

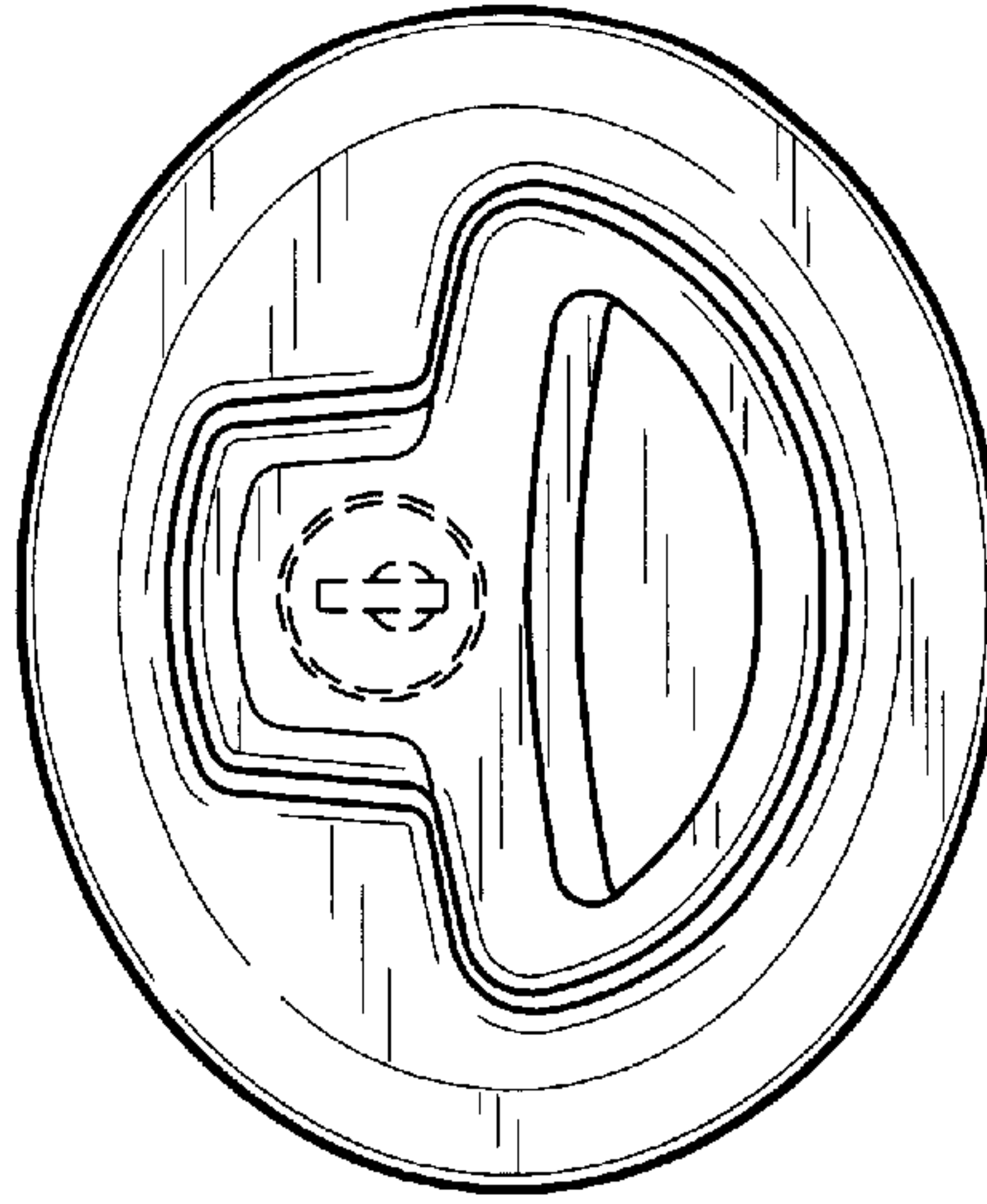


FIG. 6

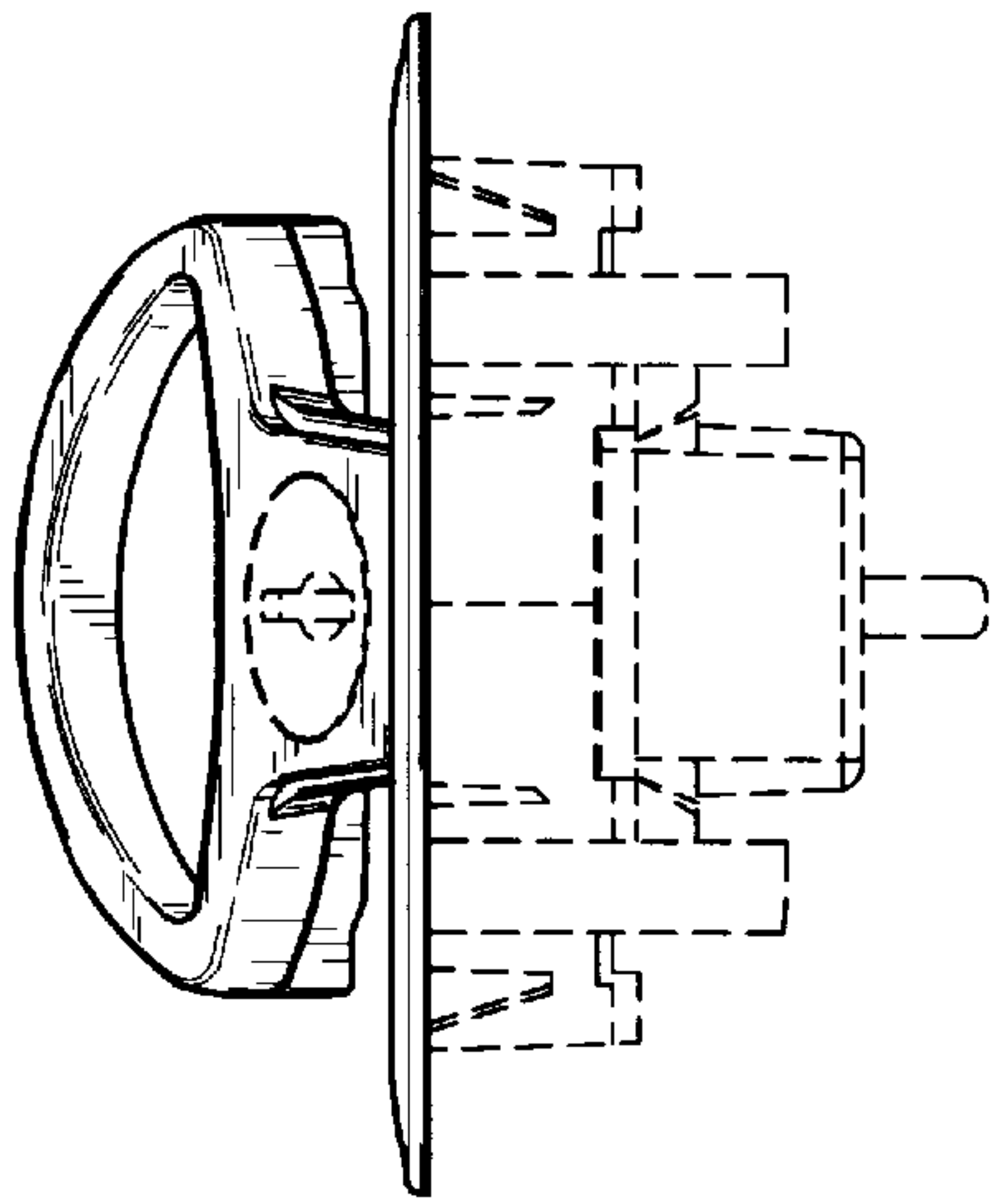


FIG. 9

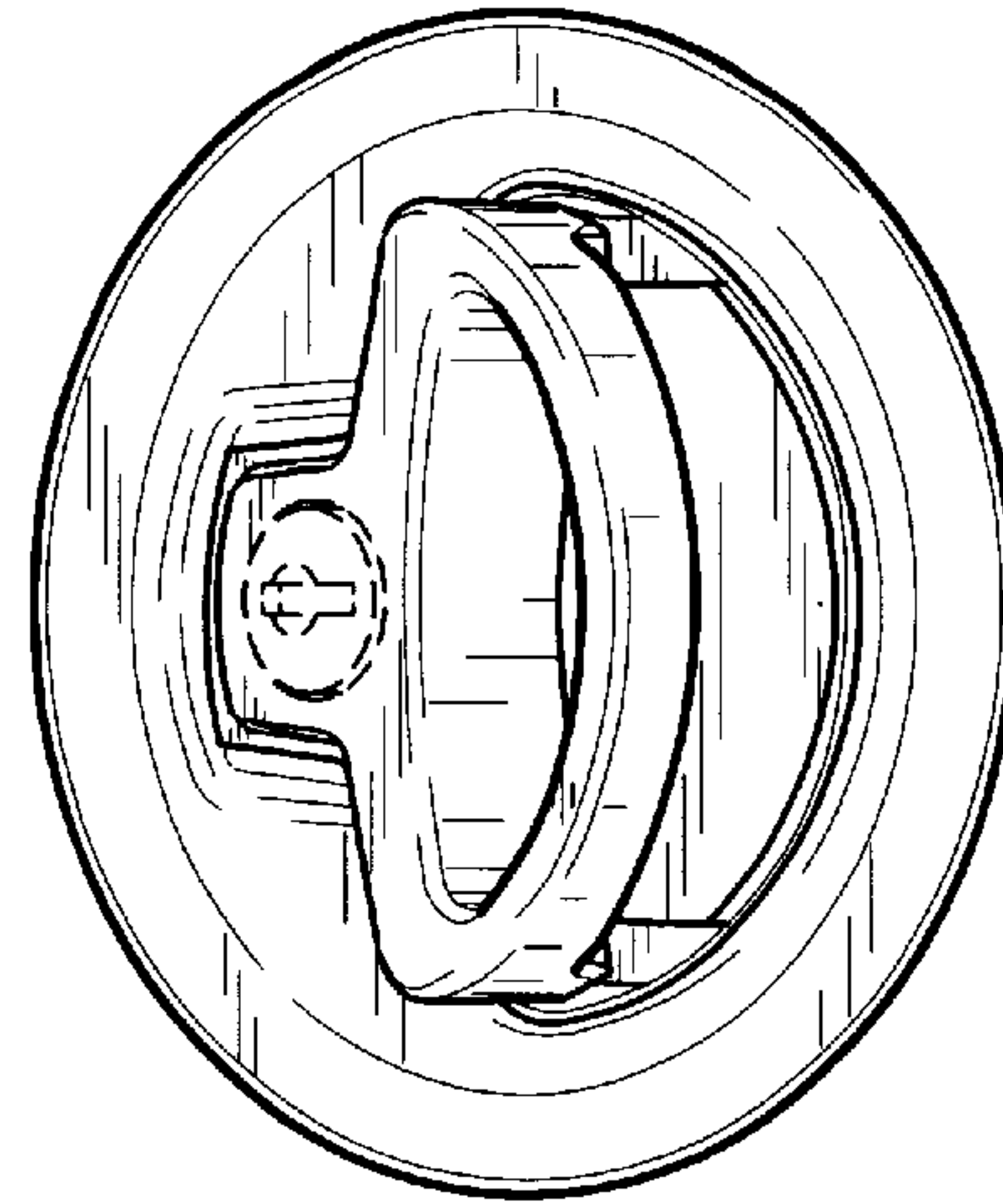


FIG. 12

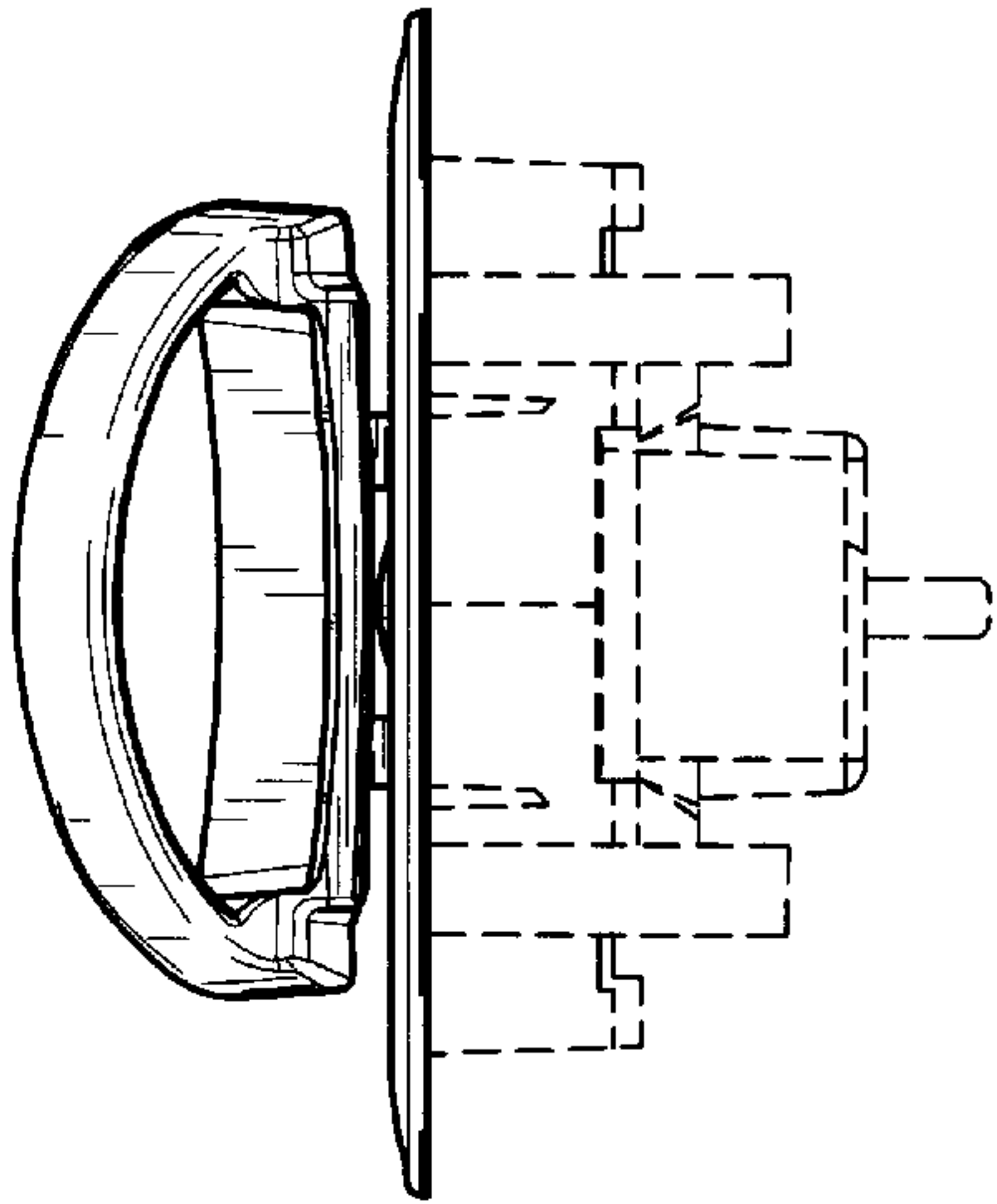


FIG. 8

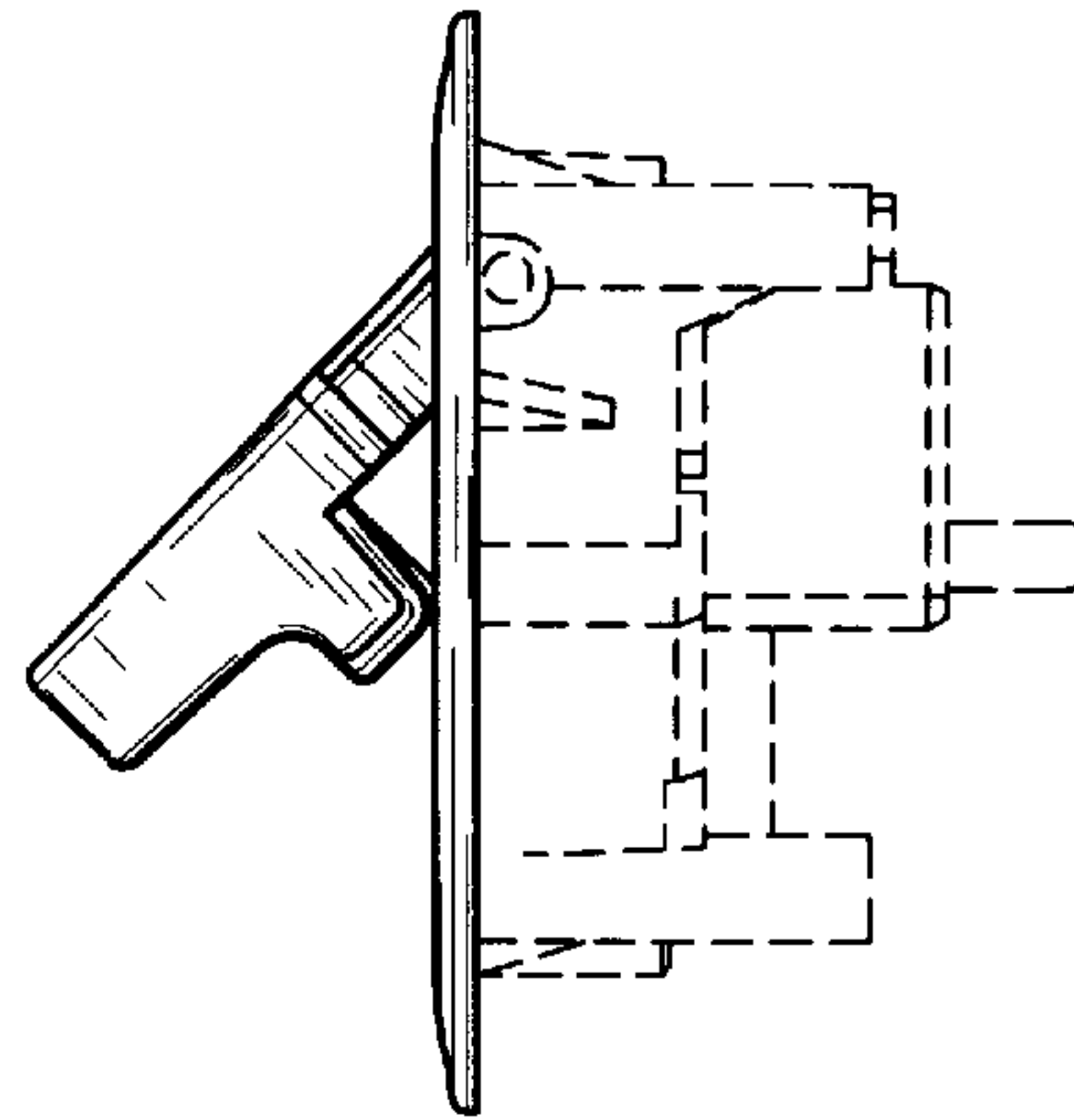


FIG. 11

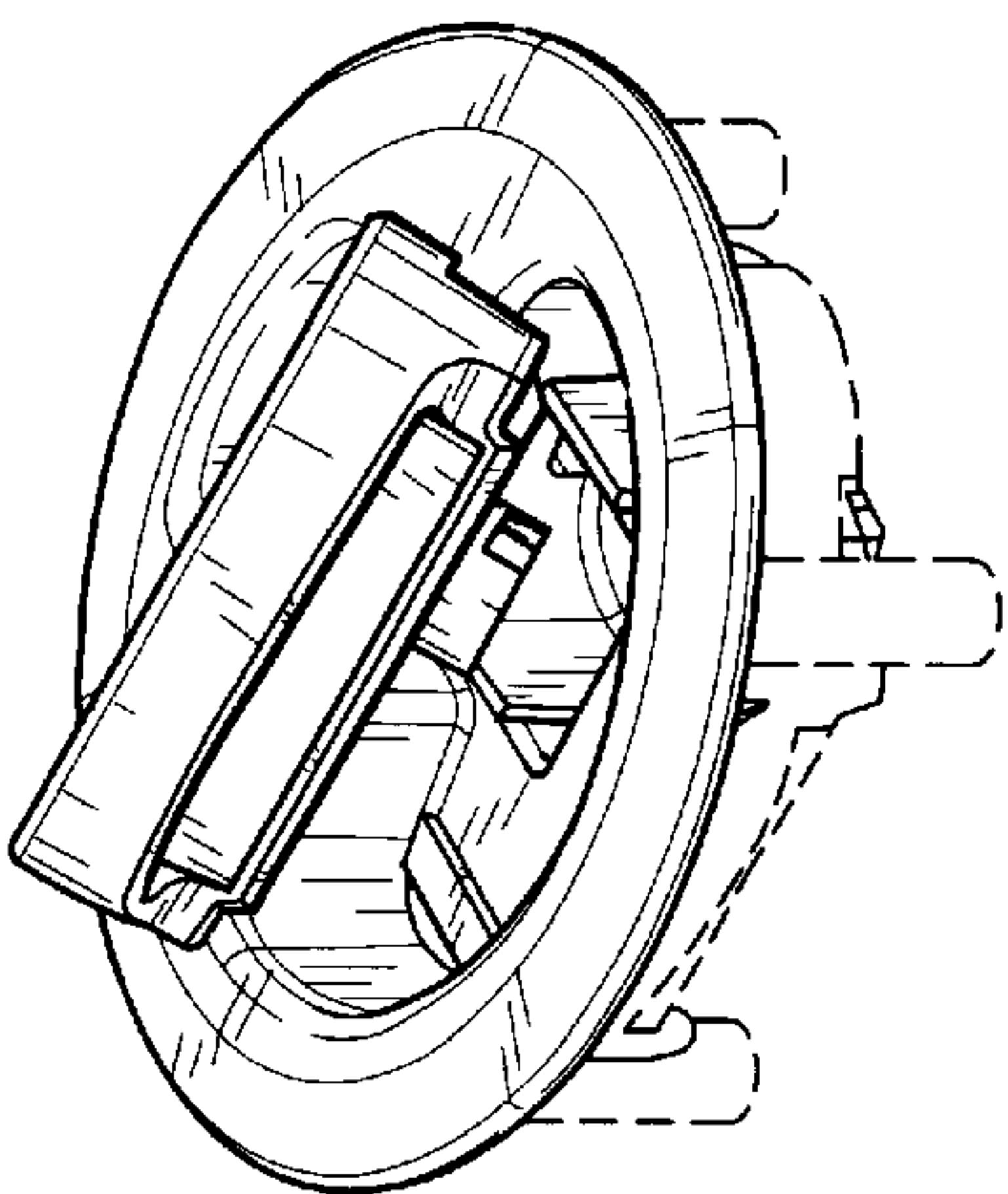


FIG. 7

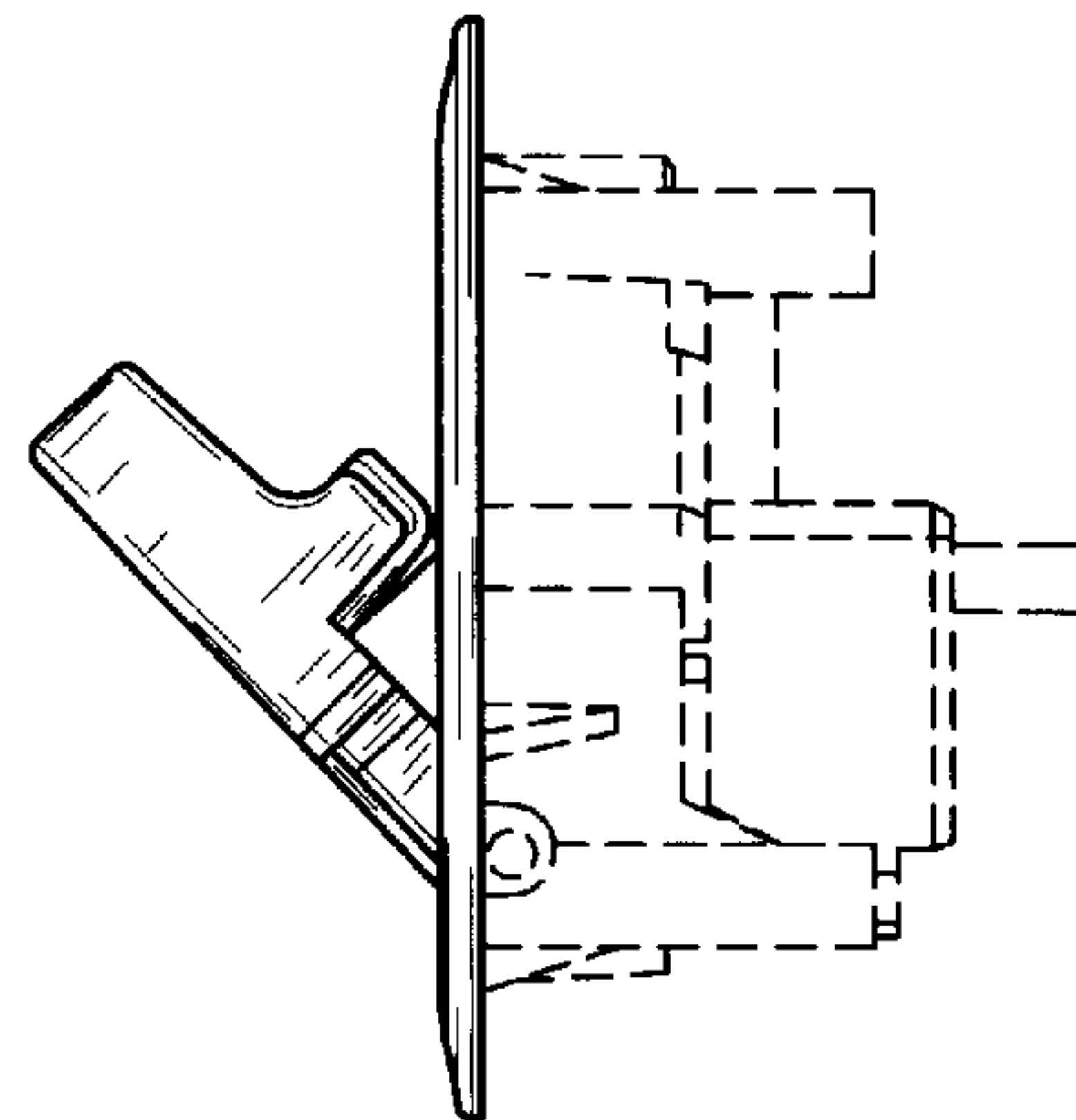


FIG. 10