

US00D530174S

(12) **United States Design Patent**
Aglassinger

(10) **Patent No.:** **US D530,174 S**

(45) **Date of Patent:** **** Oct. 17, 2006**

- (54) **RECIPROCATING SAW**
- (75) Inventor: **Hans-Peter Aglassinger**, Esslingen (DE)
- (73) Assignee: **Robert Bosch GmbH**, Stuttgart (DE)
- (**) Term: **14 Years**

5,727,322 A	*	3/1998	Giacometti	30/376
5,819,421 A	*	10/1998	Giacometti et al.	30/392
D404,274 S	*	1/1999	Ogasawara et al.	D8/64
D475,264 S	*	6/2003	Kondo et al.	D8/64
D484,381 S	*	12/2003	Yamada et al.	D8/64
D486,711 S	*	2/2004	Tam et al.	D8/64
2002/0124419 A1	*	9/2002	Hirabayashi	30/329
2003/0196338 A1	*	10/2003	Eto et al.	30/392
2005/0229408 A1	*	10/2005	Ngan et al.	30/376

- (21) Appl. No.: **29/251,455**
- (22) Filed: **Jan. 6, 2006**

* cited by examiner

Primary Examiner—Cathron C. Brooks
Assistant Examiner—Austin Murphy
(74) *Attorney, Agent, or Firm*—Michael J. Striker

Related U.S. Application Data

- (62) Division of application No. 29/208,900, filed on Jul. 7, 2004, now Pat. No. Des. 518,697.

(57) **CLAIM**

The ornamental design for a reciprocating saw, as shown and described.

(30) **Foreign Application Priority Data**

Feb. 20, 2004 (DE) 404 01 105

DESCRIPTION

- (51) **LOC (8) Cl.** **08-03**
- (52) **U.S. Cl.** **D8/64**
- (58) **Field of Classification Search** D8/69,
D8/68, 67, 66, 64, 61; 83/747, 699.21; 310/50;
30/394, 393, 392, 391, 390, 377, 376; 173/217,
173/216
See application file for complete search history.

FIG. 1 is a perspective view of a jig saw showing my new design;
FIG. 2 is a side view thereof;
FIG. 3 is the opposite side view of FIG. 2 thereof;
FIG. 4 is a top view thereof;
FIG. 5 is a bottom view thereof;
FIG. 6 is a front view thereof; and,
FIG. 7 is a rear view thereof.

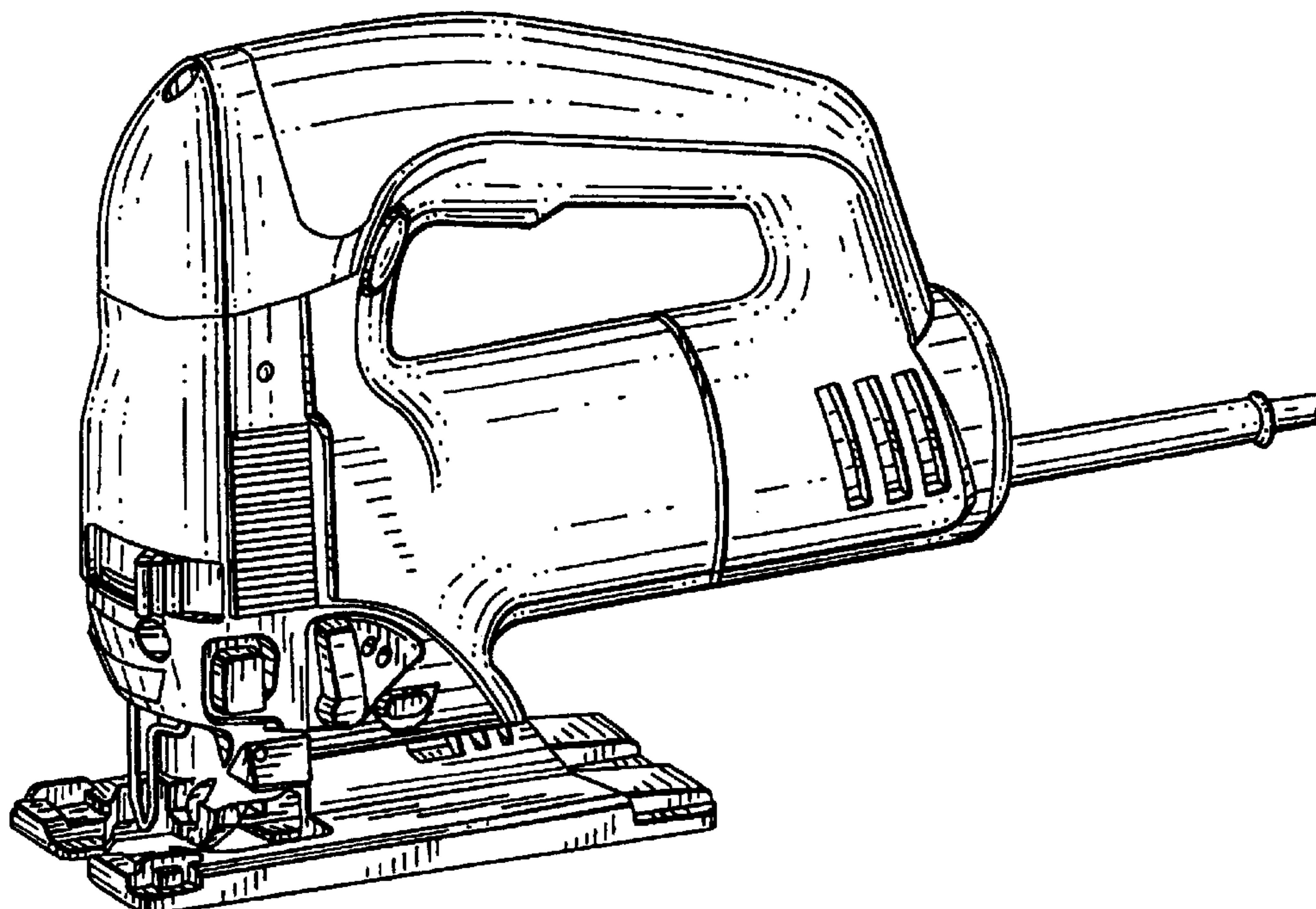
The broken lines shown in the drawings form no part of the claimed design.

(56) **References Cited**

U.S. PATENT DOCUMENTS

5,205,043 A	*	4/1993	Batt et al.	30/393
D337,709 S	*	7/1993	Ogawa et al.	D8/64

1 Claim, 7 Drawing Sheets



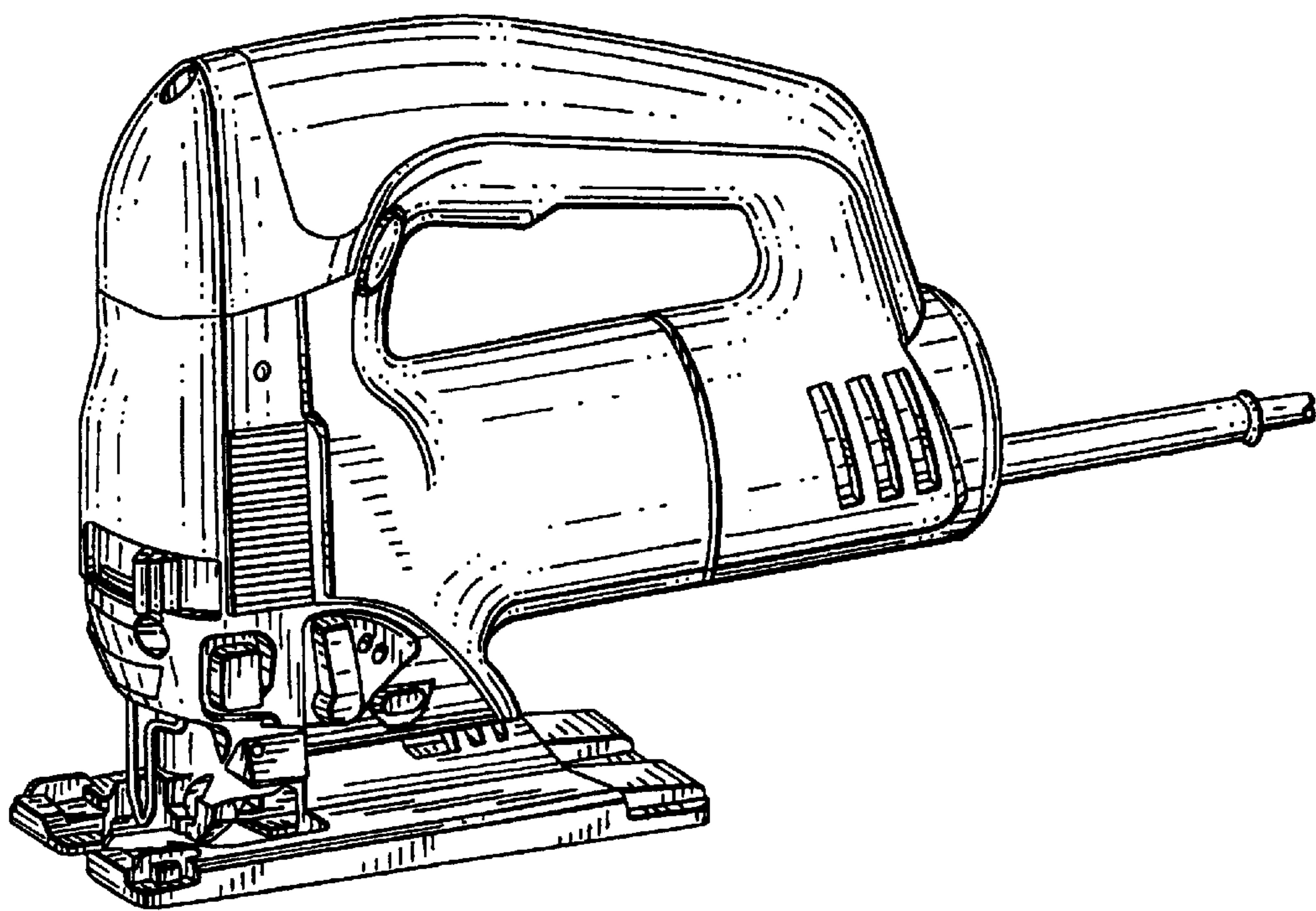


FIG. 1

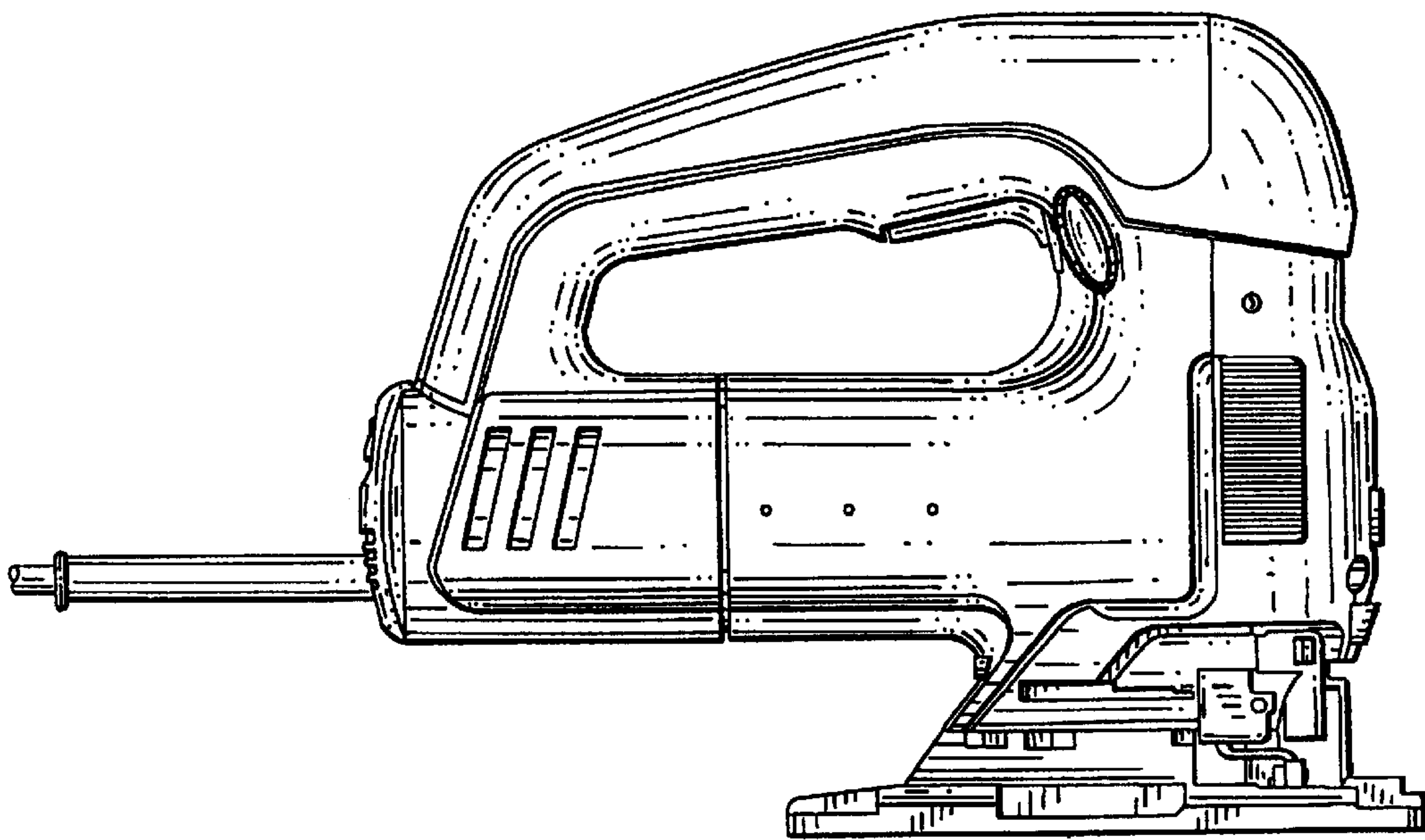


FIG. 2

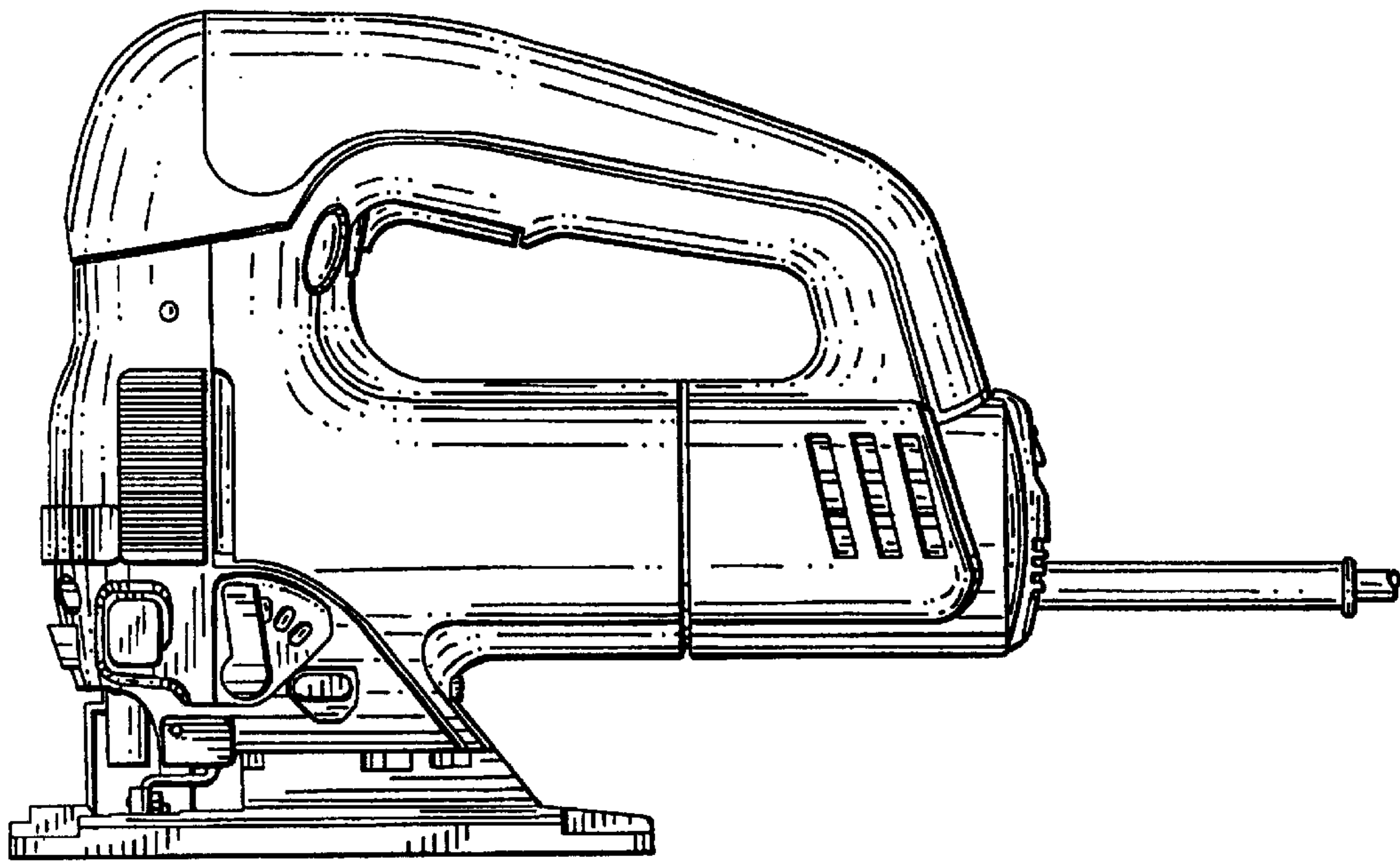


FIG. 3

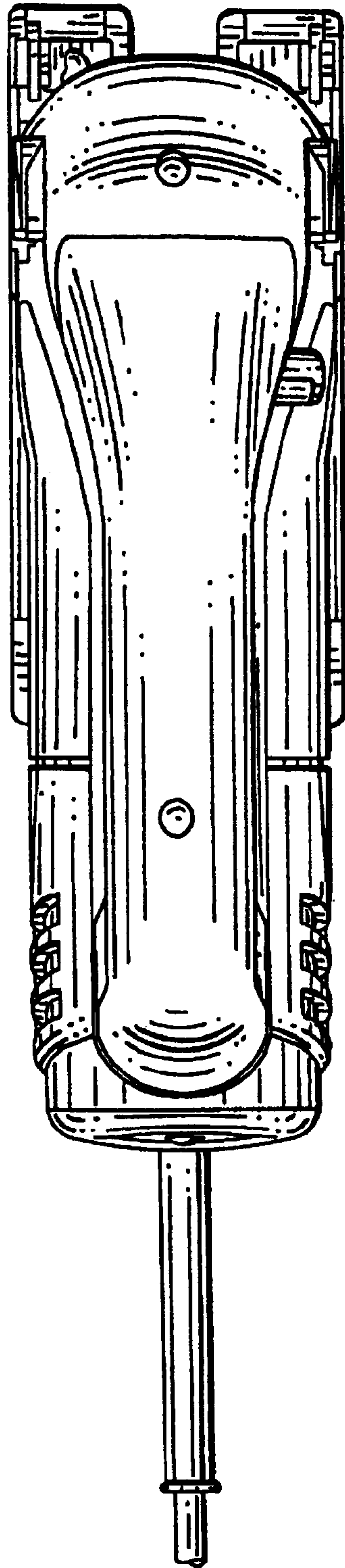


FIG. 4

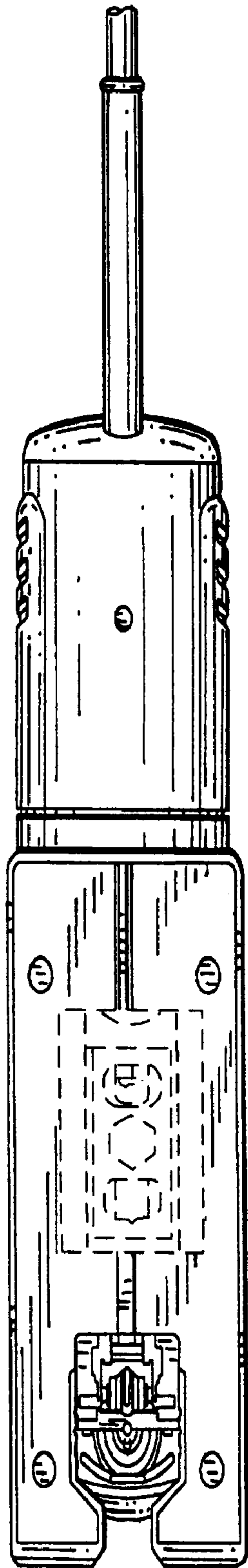


FIG. 5

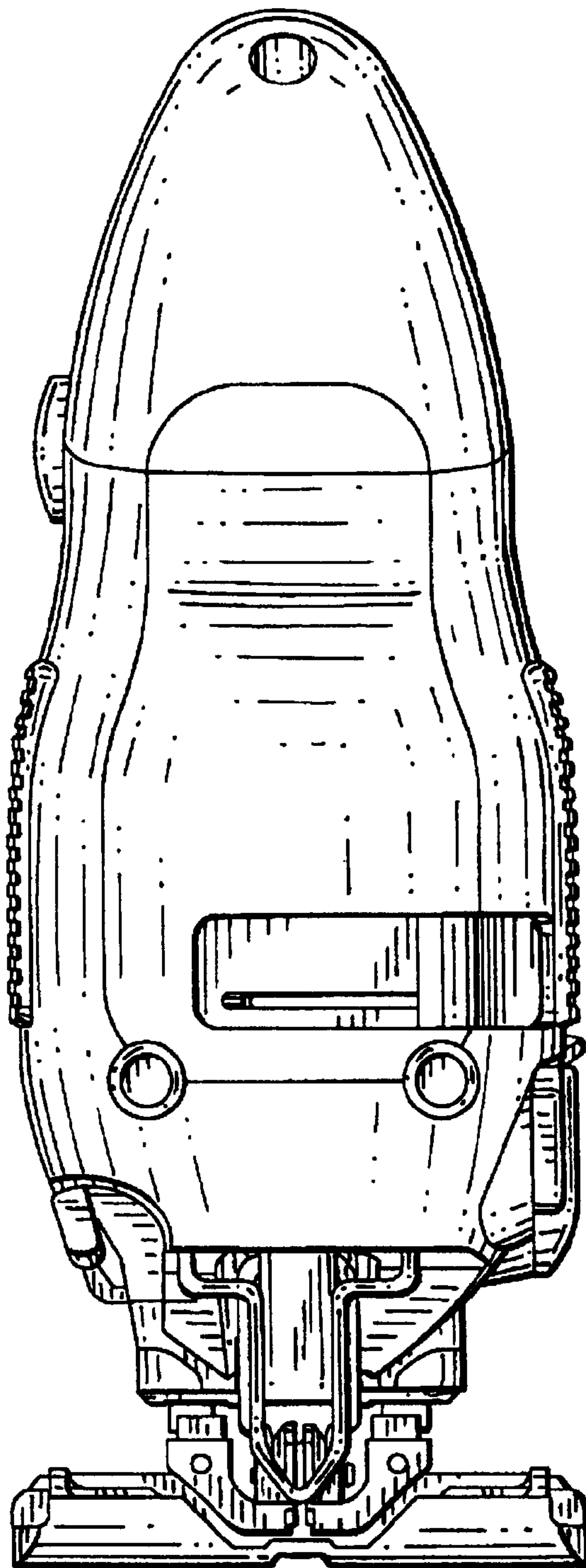


FIG. 6

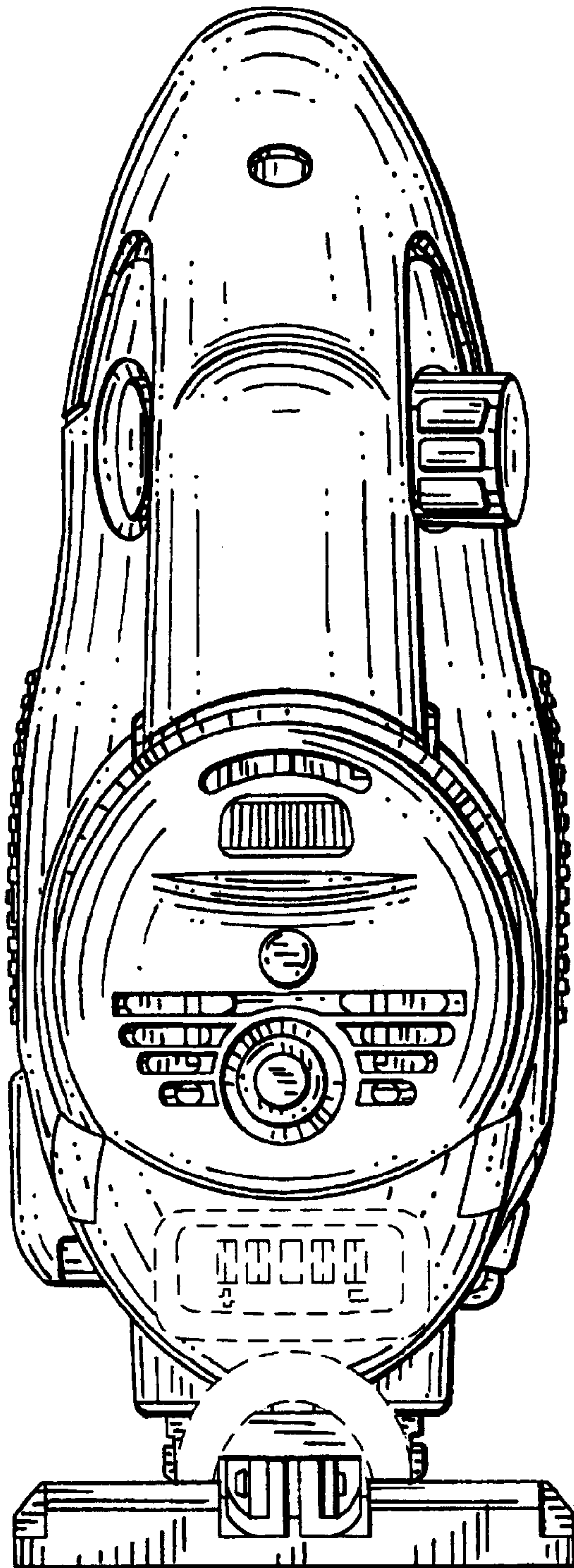


FIG. 7