



US00D530173S

(12) **United States Design Patent**
Waldron

(10) **Patent No.:** **US D530,173 S**

(45) **Date of Patent:** **** Oct. 17, 2006**

(54) **JIGSAW POWER TOOL**

(75) **Inventor:** **Michael Waldron**, Chester le Street
(GB)

(73) **Assignee:** **GMCA PTY Limited** (AU)

(**) **Term:** **14 Years**

(21) **Appl. No.:** **29/222,555**

(22) **Filed:** **Feb. 1, 2005**

(30) **Foreign Application Priority Data**

Dec. 1, 2004 (EM) 000263173

(51) **LOC (8) Cl.** **08-03**

(52) **U.S. Cl.** **D8/64**

(58) **Field of Classification Search** D8/69,
D8/68, 67, 66, 64, 61; 83/747, 699.21; 310/50;
30/394, 393, 392, 391, 390, 377, 376; 173/217,
173/216

See application file for complete search history.

(56) **References Cited**

U.S. PATENT DOCUMENTS

D178,426 S * 7/1956 Riley D8/64

D192,134 S * 1/1962 Johnson D8/64

D277,451 S * 2/1985 Barnik D8/64

6,467,177 B1 * 10/2002 Eichberger 30/392

D468,983 S * 1/2003 Kondo et al. D8/64

D485,147 S * 1/2004 Yamada et al. D8/64

6,892,459 B1 * 5/2005 Okumura et al. 30/123.3

* cited by examiner

Primary Examiner—Cathron C. Brooks

Assistant Examiner—Austin Murphy

(74) *Attorney, Agent, or Firm*—McKee, Voorhees & Sease,
P.L.C.

(57) **CLAIM**

I claim the ornamental design for a jigsaw power tool,
substantially as shown.

DESCRIPTION

FIG. 1 is a perspective view of the jigsaw power tool.

FIG. 2 is an opposite perspective view of the jigsaw power
tool.

FIG. 3 is a side view of the jigsaw power tool.

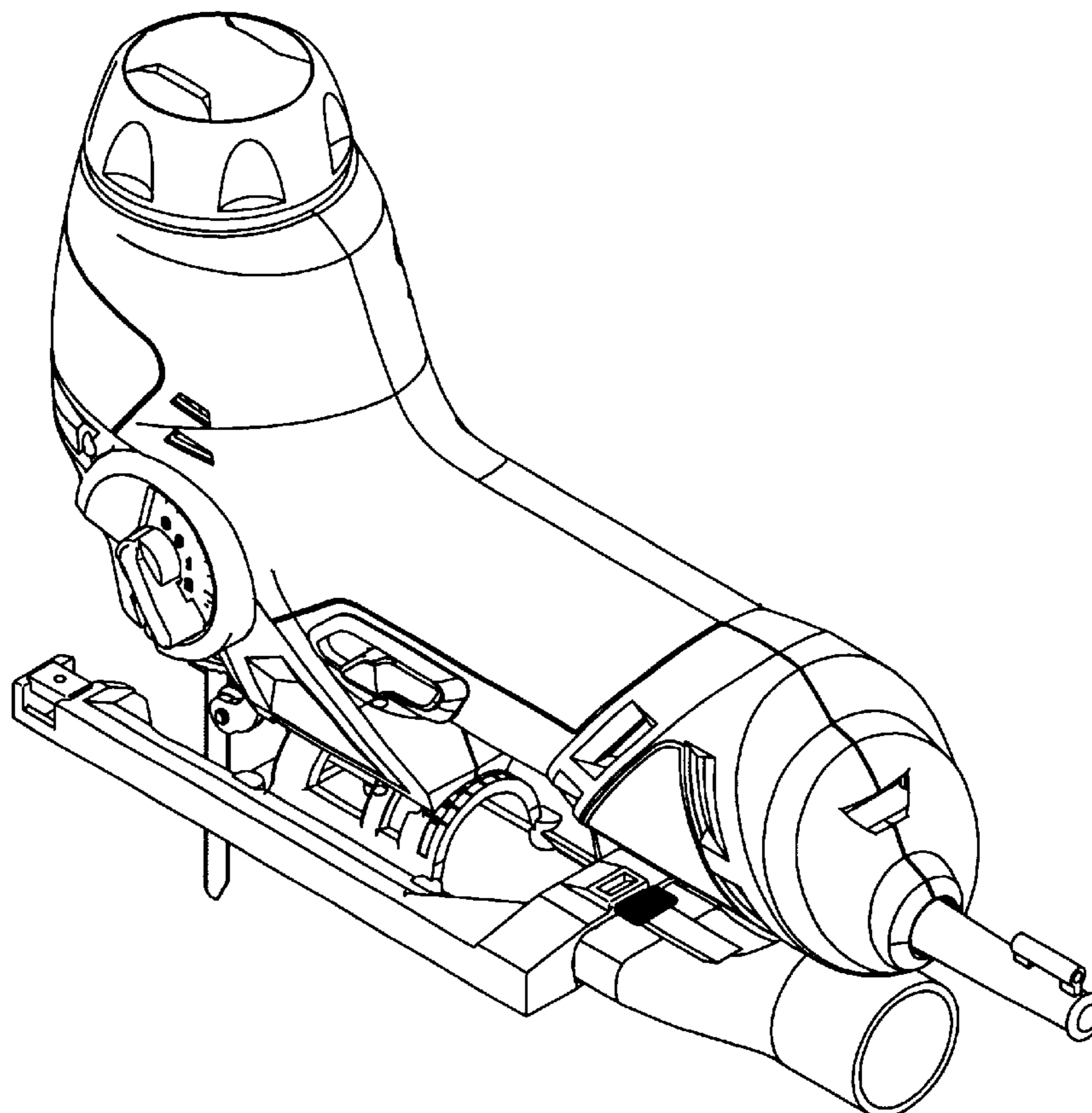
FIG. 4 is top view of the jigsaw power tool.

FIG. 5 is a bottom view of the jigsaw power tool.

FIG. 6 is a front view of the jigsaw power tool; and,

FIG. 7 is a rear view of the jigsaw power tool.

1 Claim, 3 Drawing Sheets



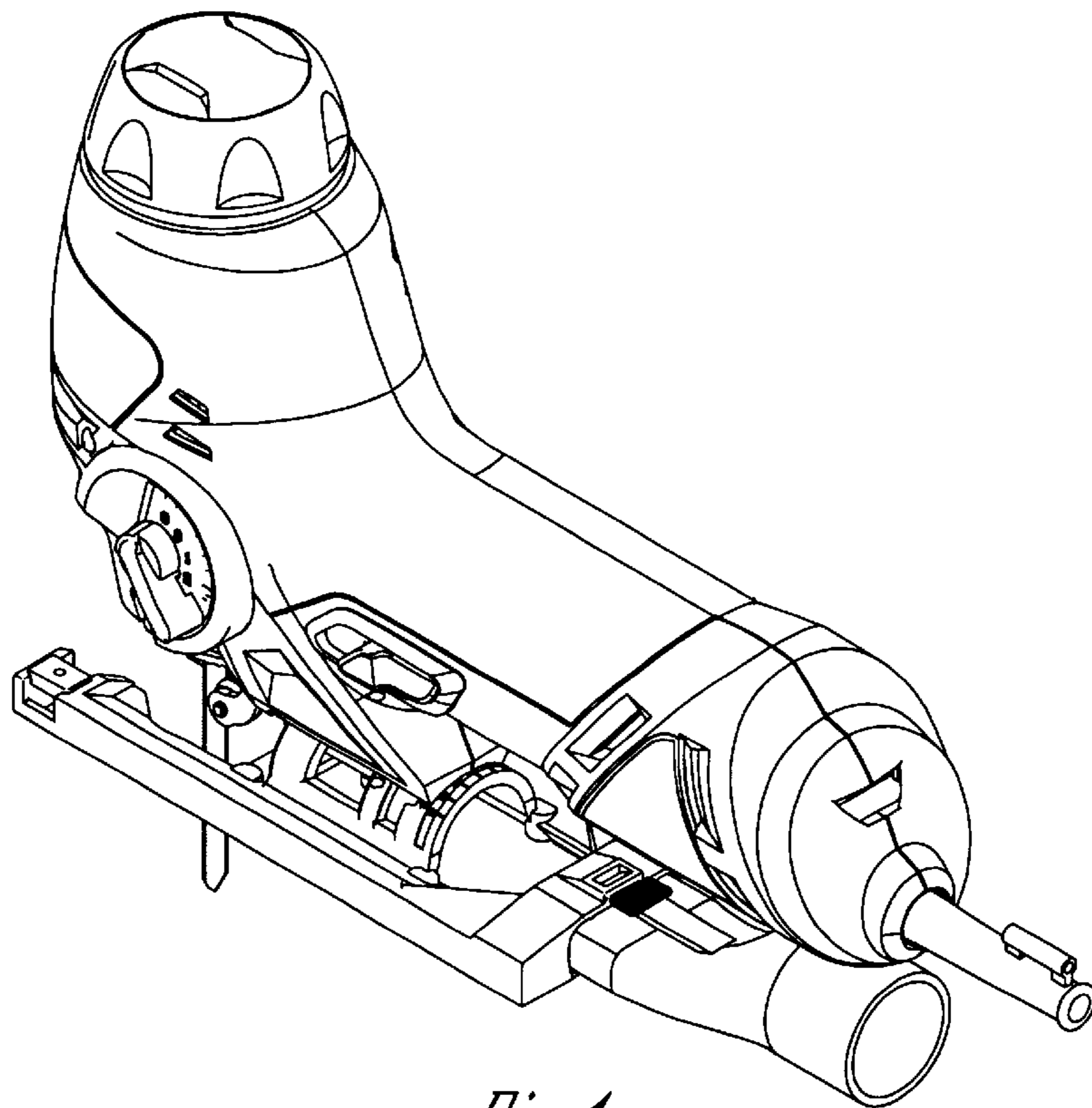


Fig. 1

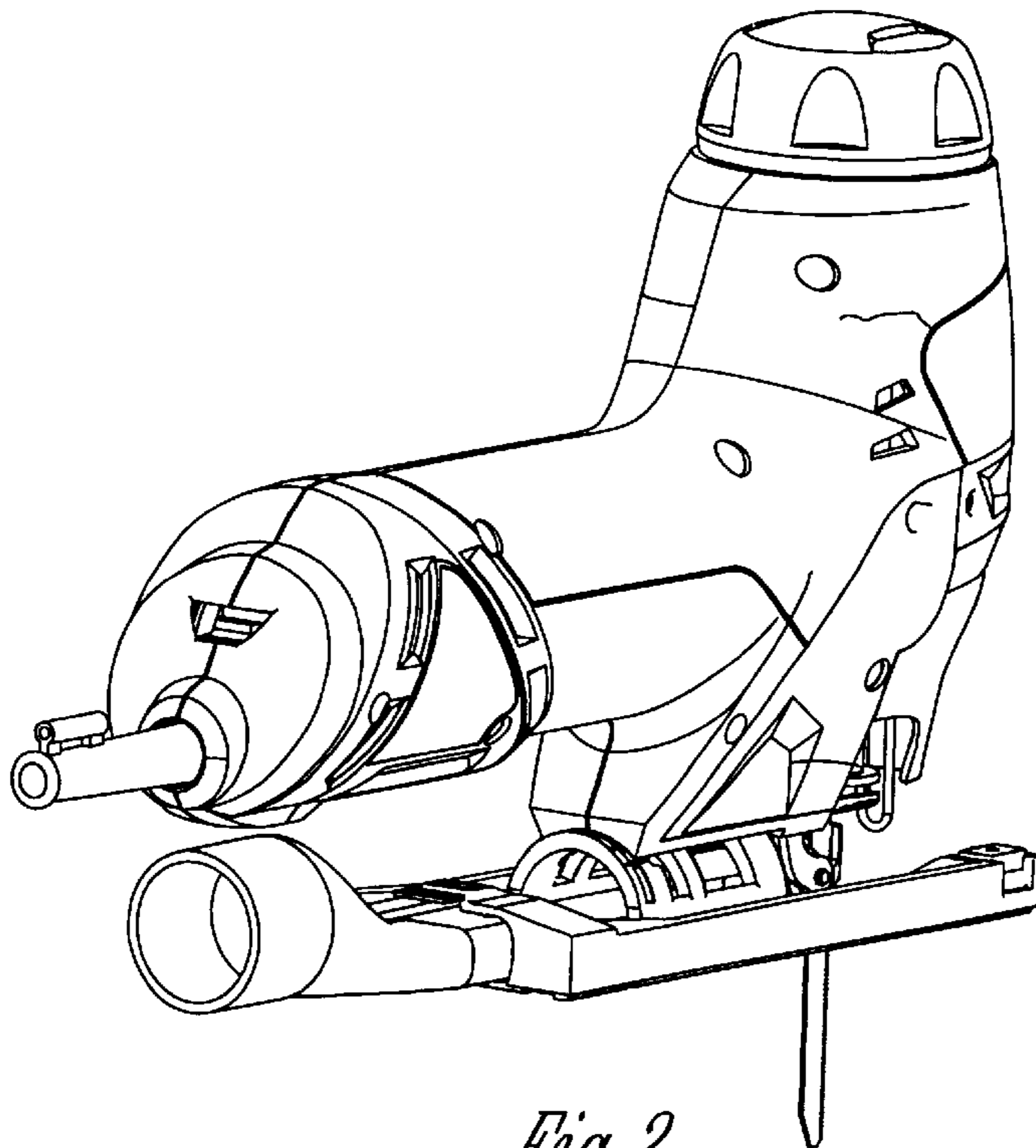


Fig. 2

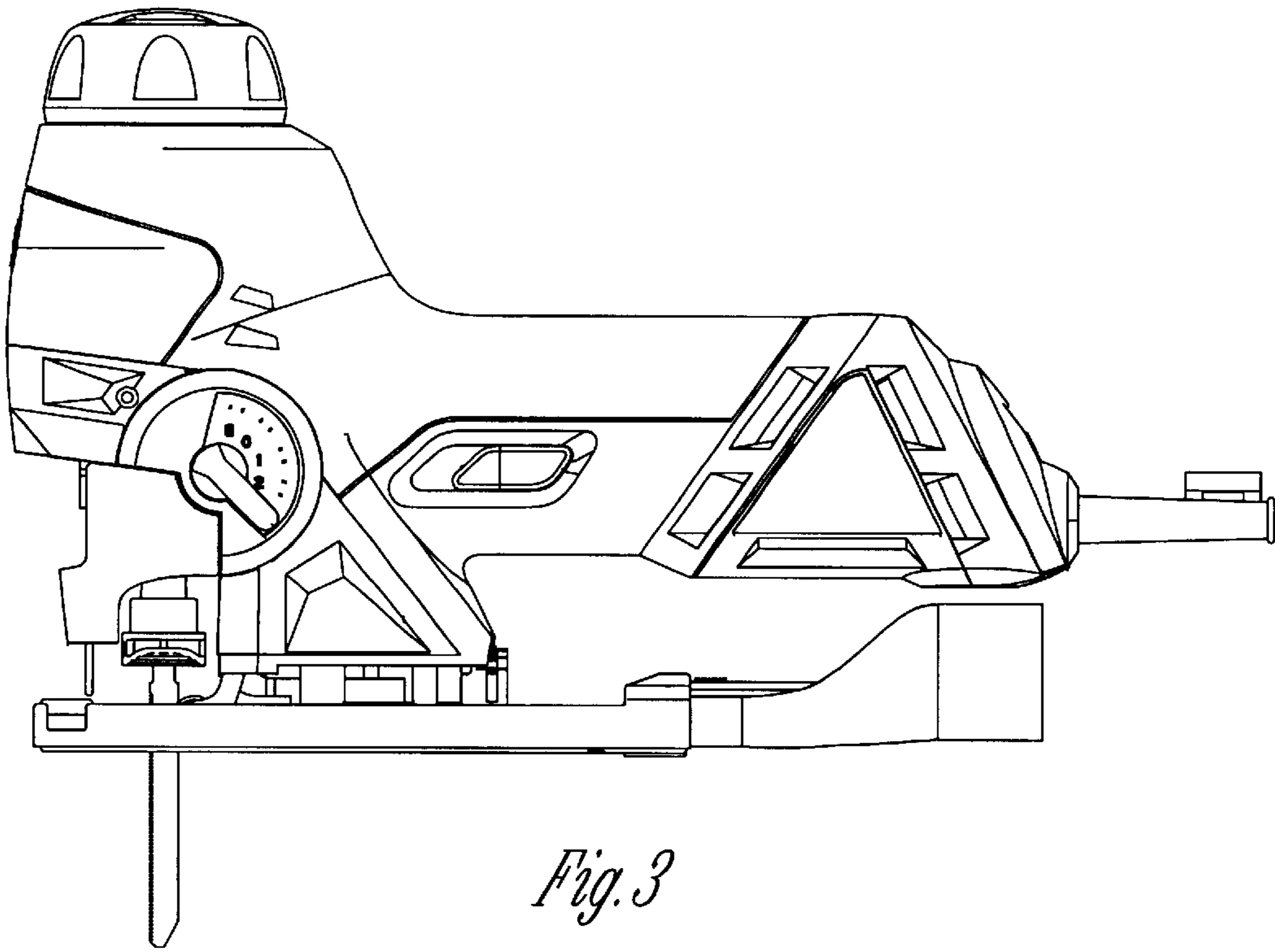


Fig. 3

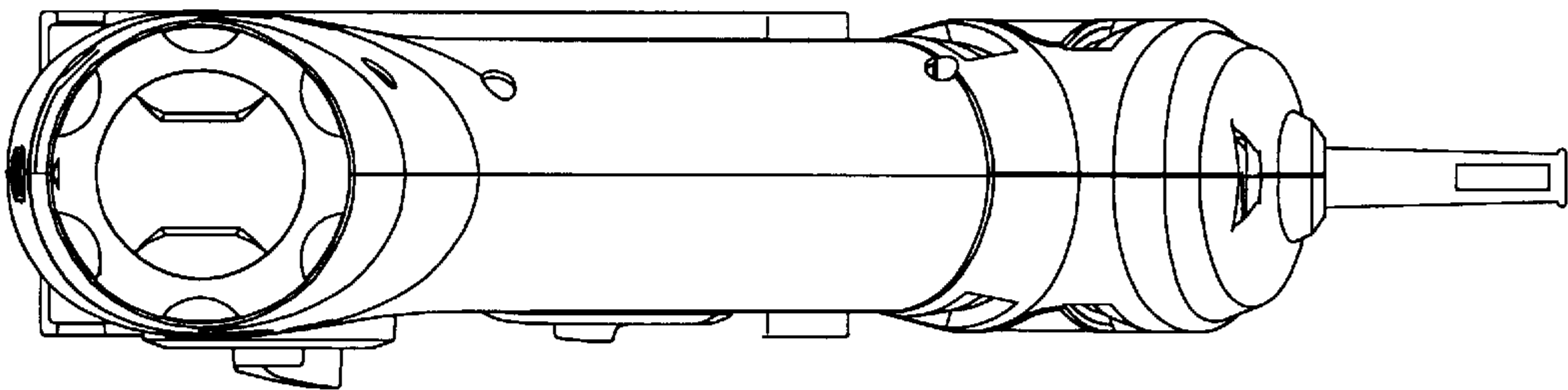


Fig. 4

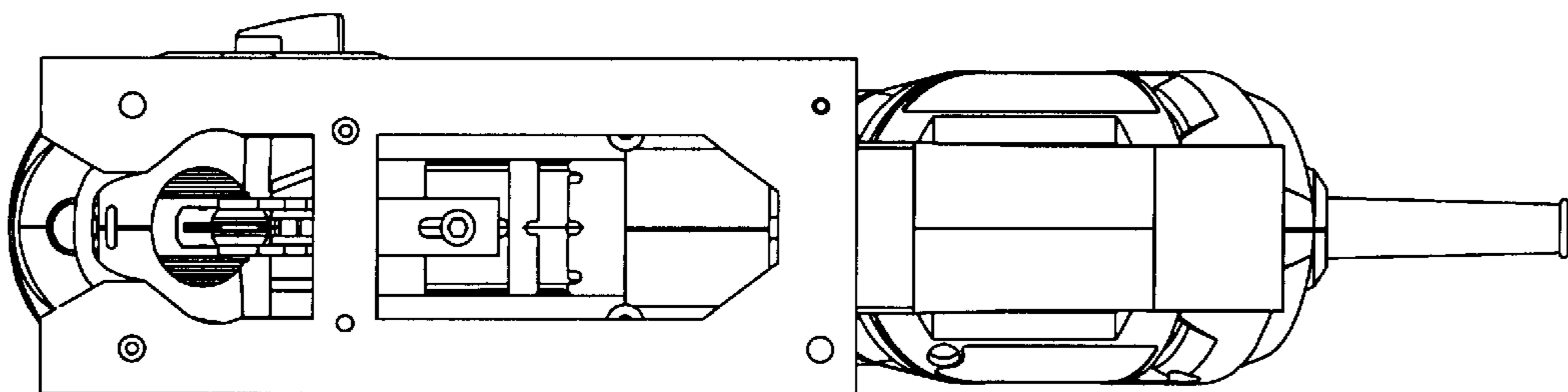


Fig. 5

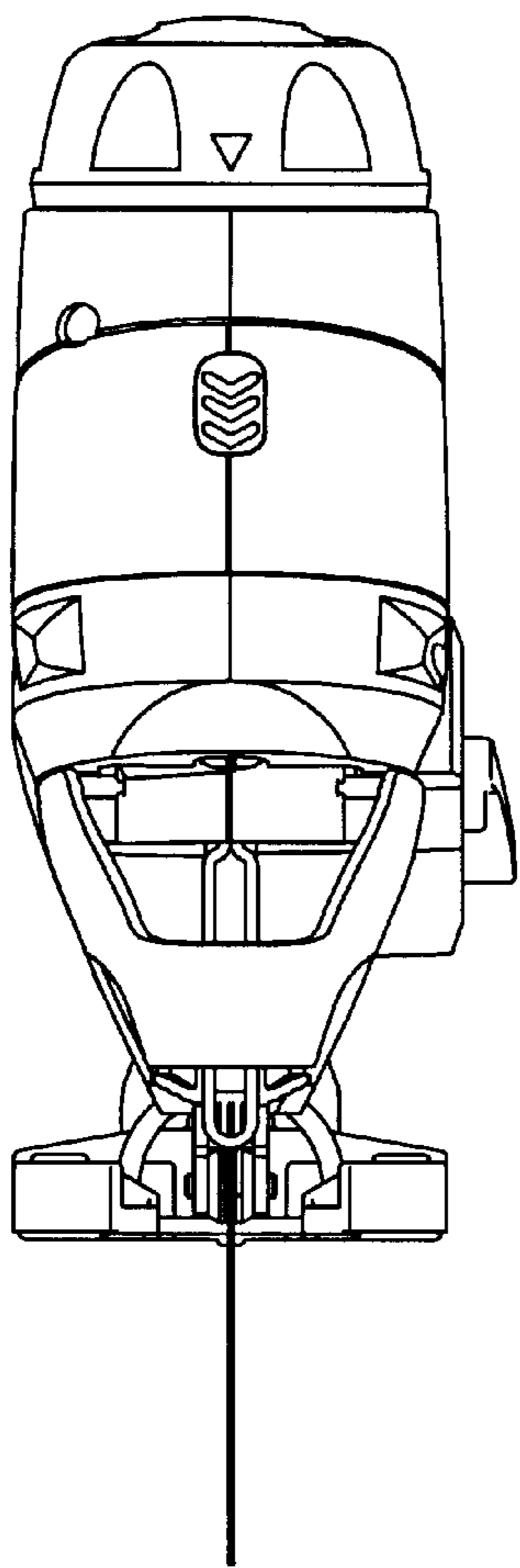


Fig. 6

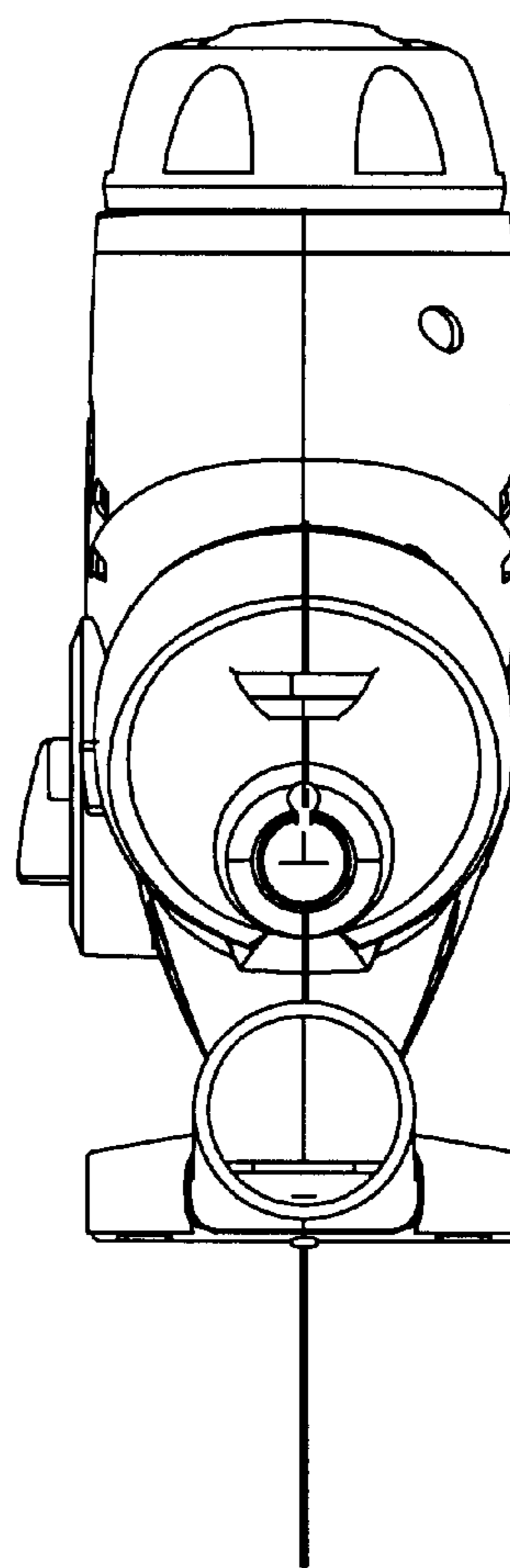


Fig. 7