

US00D530172S

(12) **United States Design Patent**  
**Fageroos et al.**

(10) **Patent No.:** **US D530,172 S**

(45) **Date of Patent:** **\*\* Oct. 17, 2006**

(54) **POWERED PAINT REMOVAL TOOL**

(75) Inventors: **Victor J. Fageroos**, Urbandale, IA (US); **Paul Derek Hatch**, Chicago, IL (US); **Christopher Kent Barmore**, Cambridge, MA (US); **Gregory Edward Reinecker**, Chicago, IL (US)

(73) Assignee: **Wagner Spray Tech Corporation**, Plymouth, MN (US)

(\*\*) Term: **14 Years**

(21) Appl. No.: **29/254,134**

(22) Filed: **Feb. 17, 2006**

(51) **LOC (8) Cl.** ..... **08-01**

(52) **U.S. Cl.** ..... **D8/62**

(58) **Field of Classification Search** ..... D8/69,  
D8/68, 67, 66, 64, 61, 70; D32/15, 17, 19;  
81/57.11, 474; 173/170, 217, 168, 169; 83/747,  
83/698.41; 451/456, 451, 359, 358, 357,  
451/356

See application file for complete search history.

(56) **References Cited**

**U.S. PATENT DOCUMENTS**

5,074,081	A	*	12/1991	Beth et al.	451/344
D326,398	S	*	5/1992	Fushiya et al.	D8/62
D345,089	S	*	3/1994	Kikuchi et al.	D8/62
5,813,805	A	*	9/1998	Kopras	408/241 R
D439,484	S	*	3/2001	Adler et al.	D8/69
D465,393	S	*	11/2002	Kopras et al.	D8/61
D465,712	S	*	11/2002	Kopras et al.	D8/61
D468,180	S	*	1/2003	Bruno et al.	D8/64
D478,260	S	*	8/2003	Heun	D8/61

D478,487	S	*	8/2003	Heun	D8/61
D479,451	S	*	9/2003	Evans	D8/61
6,758,731	B1	*	7/2004	Dutterer et al.	451/357
6,886,643	B1	*	5/2005	Riley et al.	173/29

\* cited by examiner

*Primary Examiner*—Cathron C. Brooks

*Assistant Examiner*—Austin Murphy

(74) *Attorney, Agent, or Firm*—Faegre & Benson LLP

(57) **CLAIM**

The ornamental design for a powered paint removal tool, as shown and described.

**DESCRIPTION**

FIG. 1 is a perspective view of the powered paint removal tool.

FIG. 2 is a left side elevation view of the powered paint removal tool.

FIG. 3 is a right side elevation view of the powered paint removal tool.

FIG. 4 is a front elevation view of the powered paint removal tool.

FIG. 5 is a rear elevation view of the powered paint removal tool.

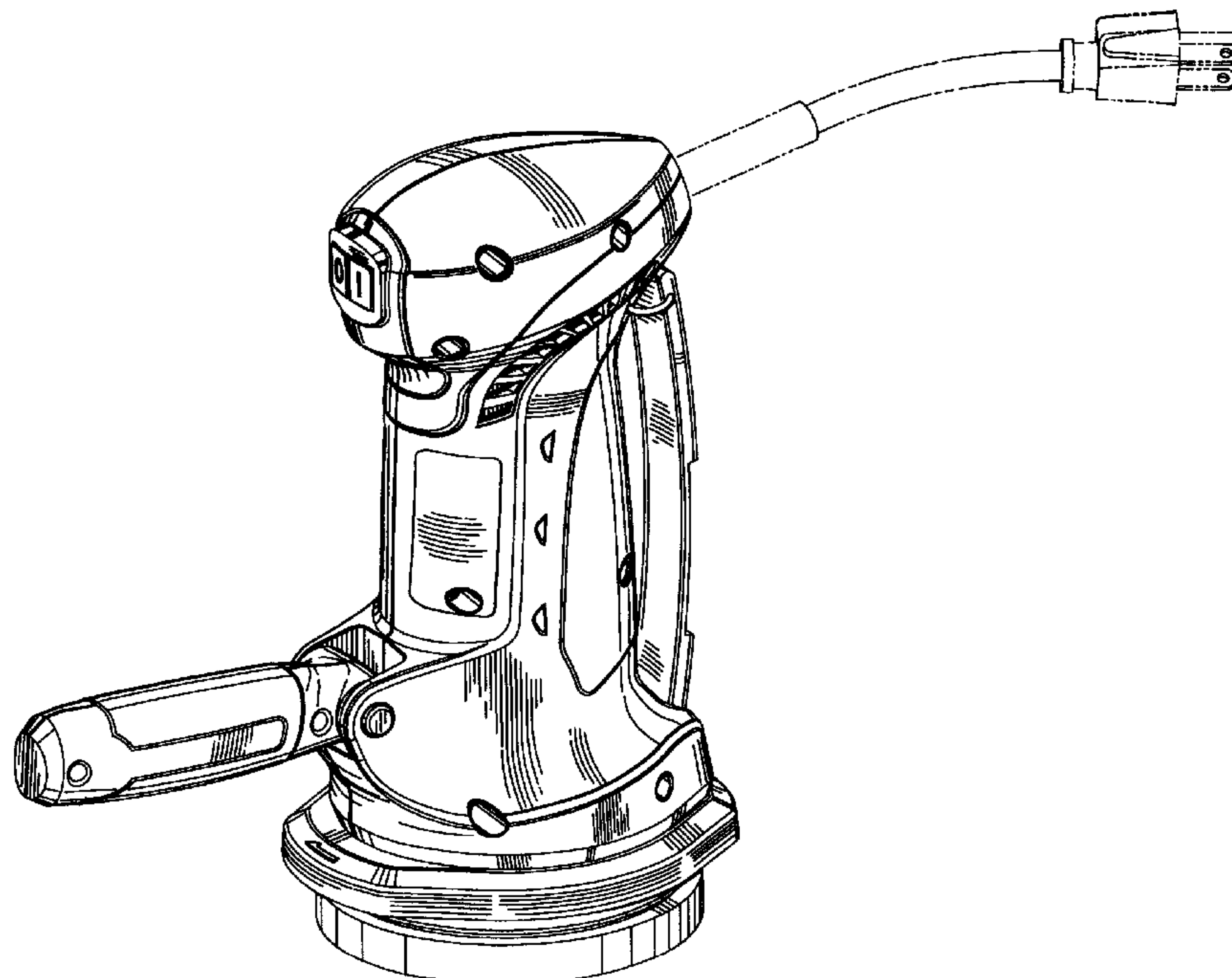
FIG. 6 is a bottom plan view of the powered paint removal tool.

FIG. 7 is a top plan view of the powered paint removal tool; and,

FIG. 8 is a view similar to FIG. 3 but with the handle shown in a stored position of use.

The broken lines shown in the drawings form no part of the claimed design.

**1 Claim, 8 Drawing Sheets**



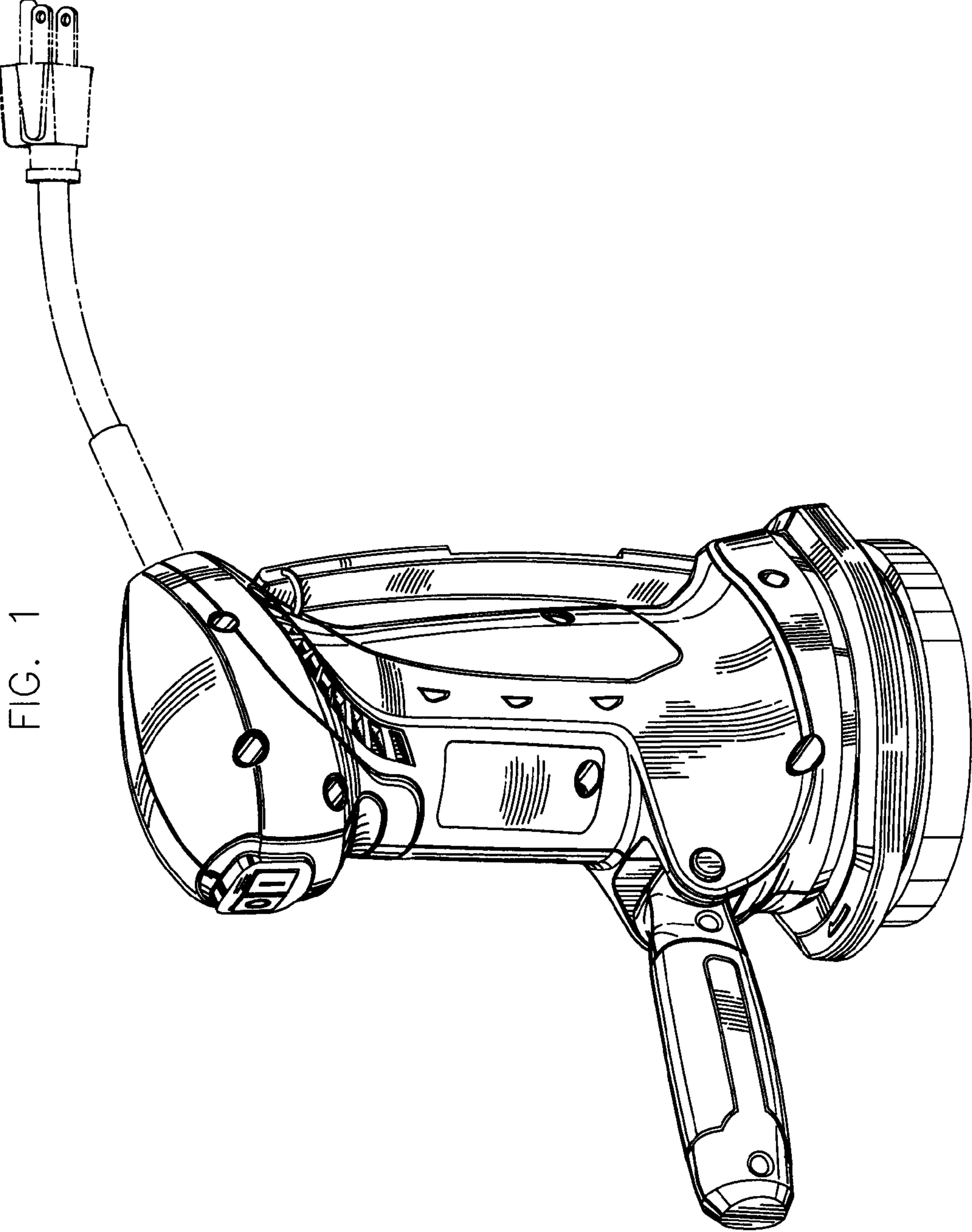


FIG. 1

FIG. 2

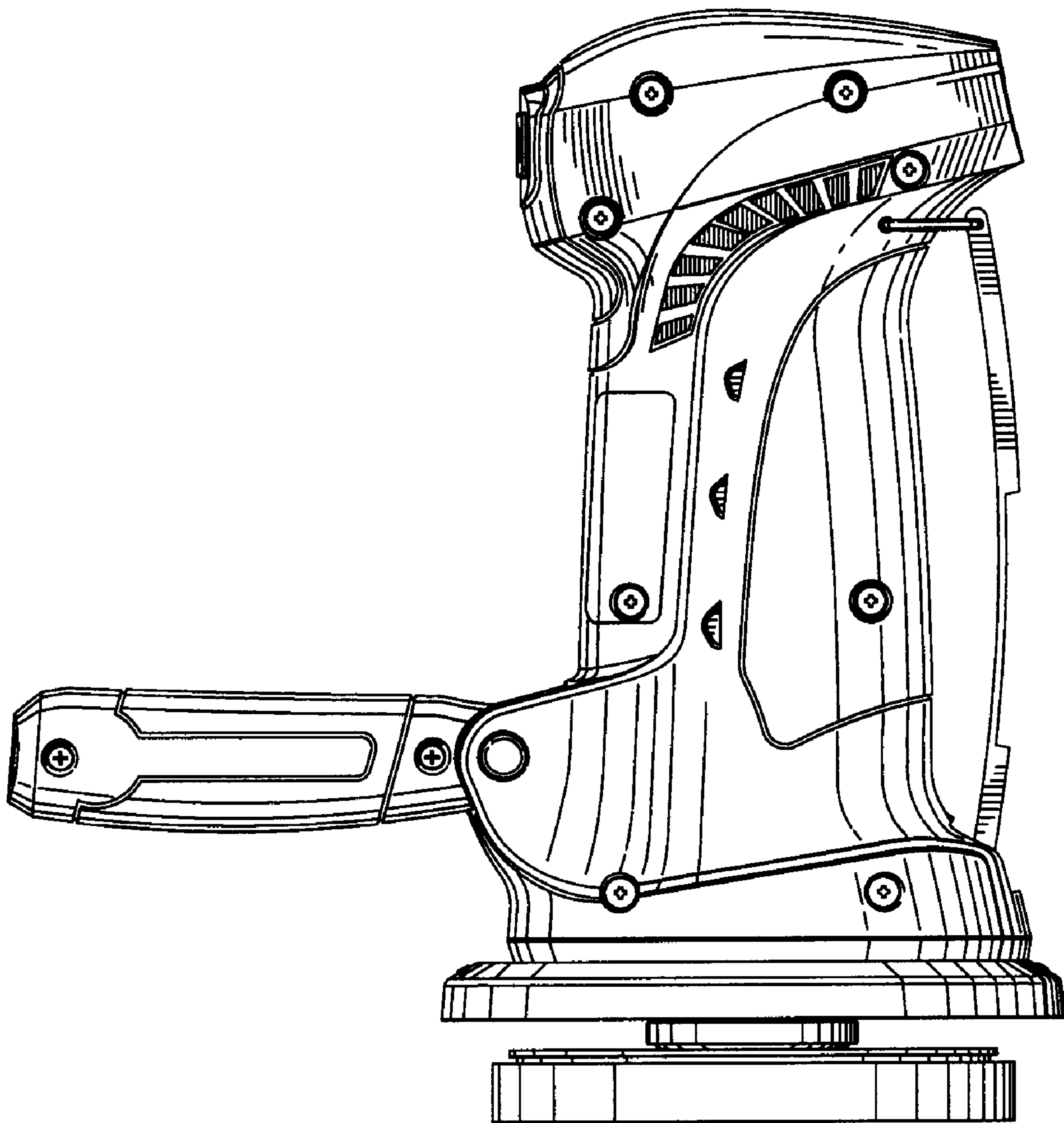


FIG. 3

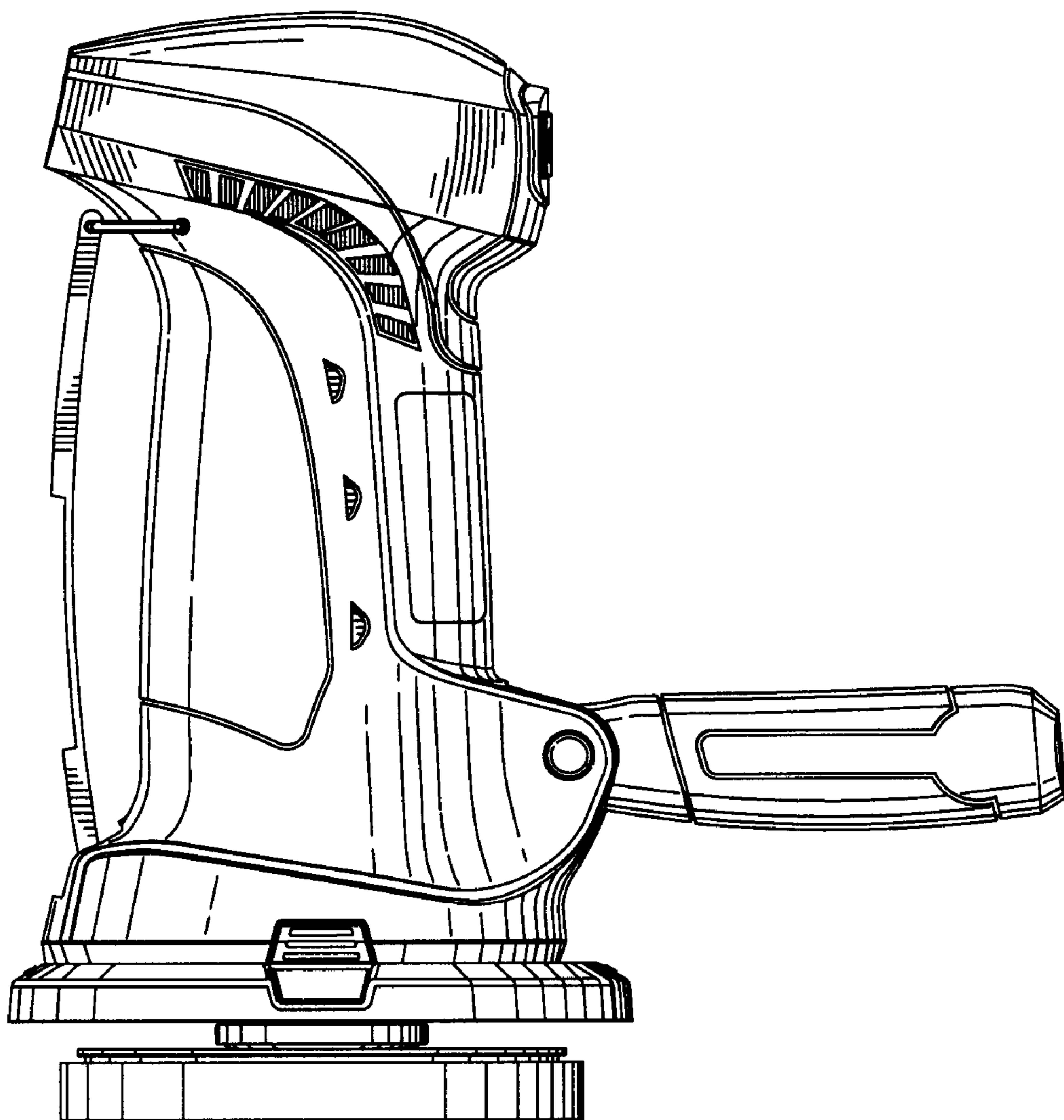




FIG. 4

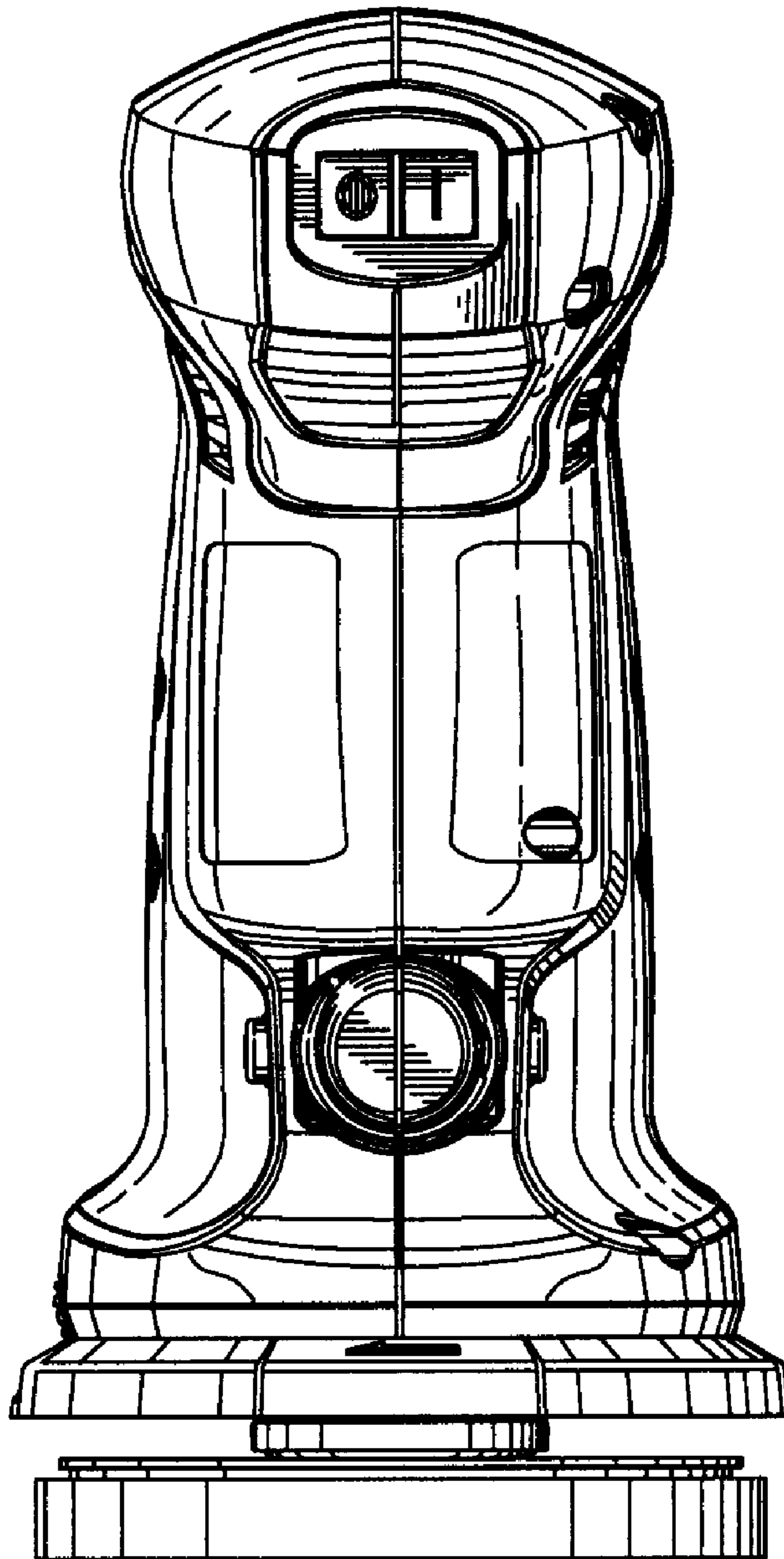


FIG. 5

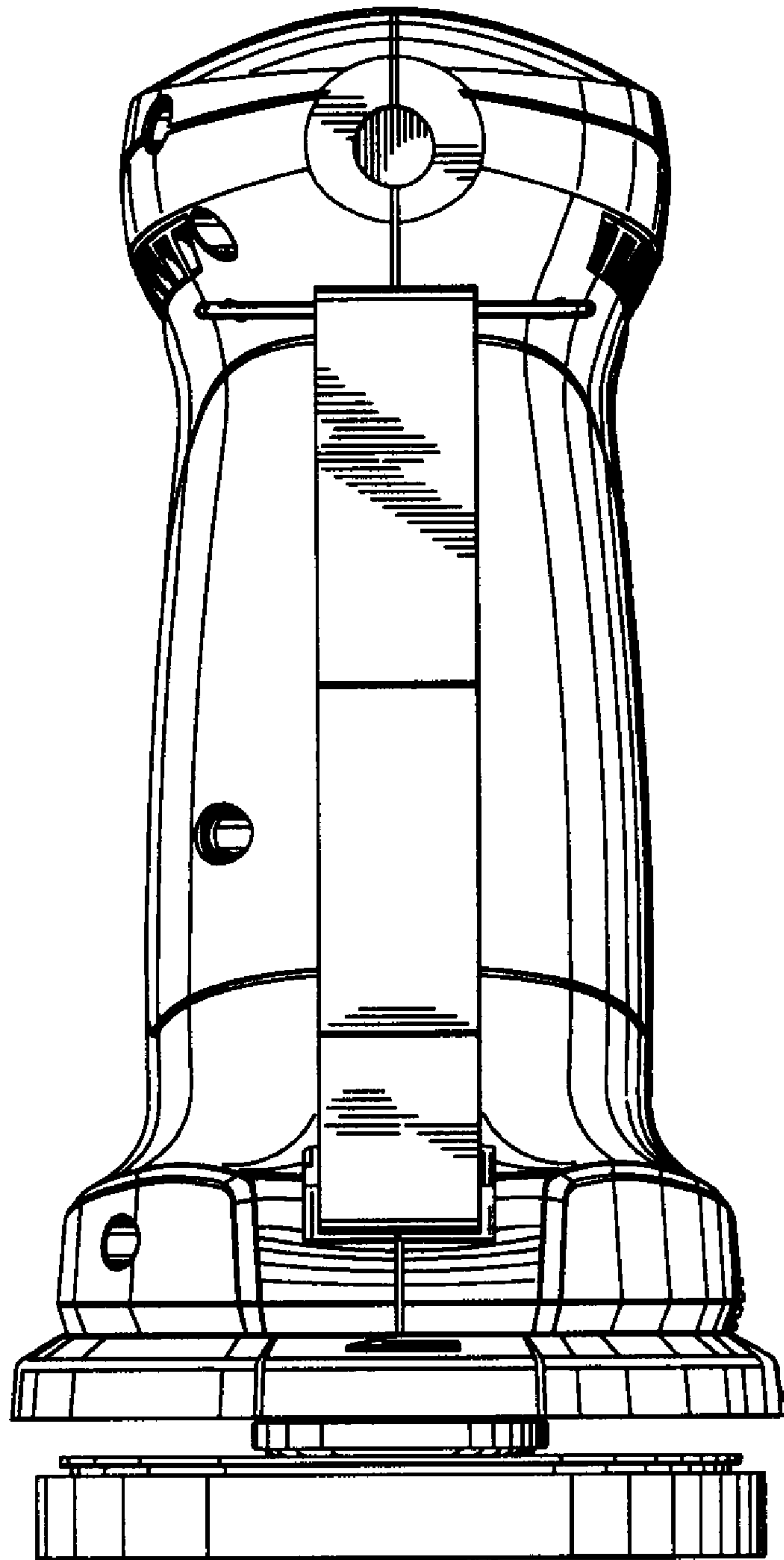


FIG. 6

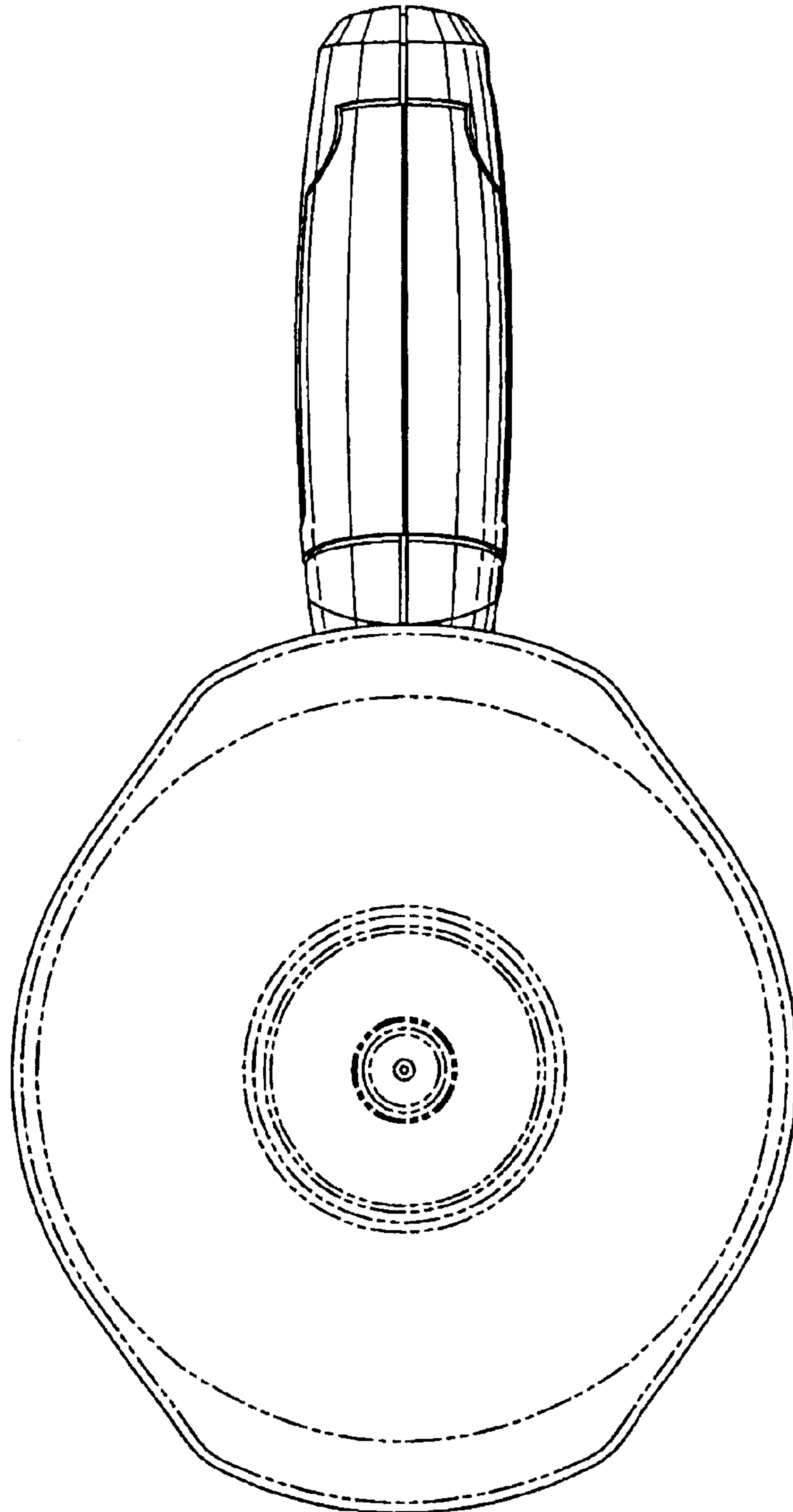


FIG. 7

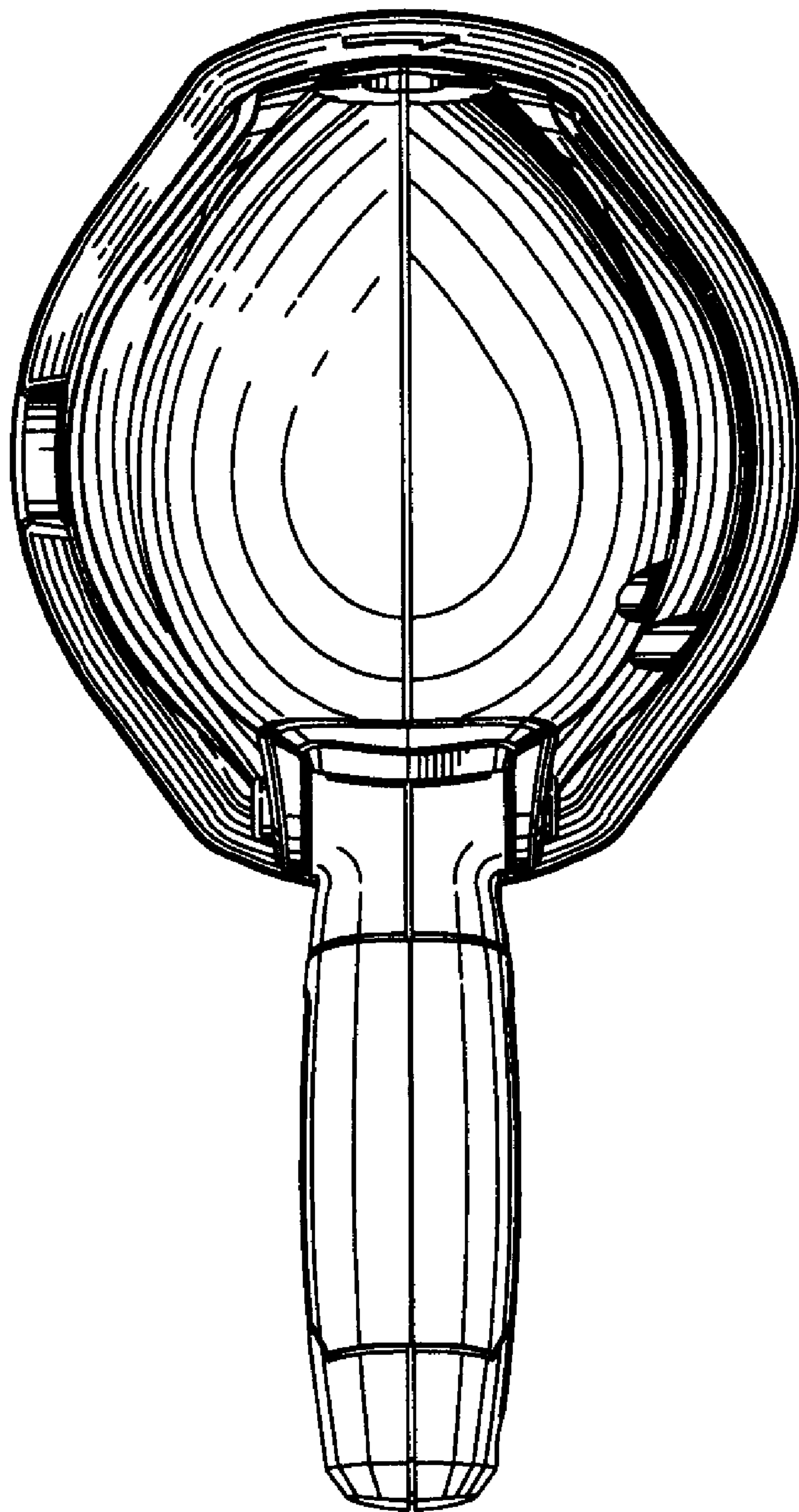




FIG. 8

