



US00D530168S

(12) **United States Design Patent**
Doi et al.

(10) **Patent No.: US D530,168 S**
(45) **Date of Patent: ** Oct. 17, 2006**

(54) **SOLDERING IRON**
(75) Inventors: **Tetsuyuki Doi**, Hiroshima (JP);
Tomohiro Shigekawa, Hiroshima-Ken
(JP)

D315,853 S * 4/1991 Zaborowski et al. D8/30
D317,704 S * 6/1991 Zaborowski et al. D8/30
5,928,536 A * 7/1999 Lee 219/229
D514,407 S * 2/2006 Lin D8/30

FOREIGN PATENT DOCUMENTS

(73) Assignee: **Taiyo Electric Ind. Co., Ltd.**,
Hiroshima-ken (JP)

JP 2-81760 U 6/1990

(**) Term: **14 Years**

* cited by examiner

(21) Appl. No.: **29/232,753**

Primary Examiner—Philip S. Hyder
(74) *Attorney, Agent, or Firm*—Darby & Darby

(22) Filed: **Jun. 22, 2005**

(57) **CLAIM**

(30) **Foreign Application Priority Data**

The ornamental design for a soldering iron, as shown and described.

Dec. 28, 2004 (JP) 2004-040114

DESCRIPTION

(51) **LOC (8) Cl.** **08-05**
(52) **U.S. Cl.** **D8/30**
(58) **Field of Classification Search** D8/29.1,
D8/30; 219/227, 228, 229, 230, 241, 248,
219/238, 497

FIG. 1 is a perspective view of a soldering iron.
FIG. 2 is a front elevation view thereof.
FIG. 3 is a rear elevation view thereof.
FIG. 4 is a top plan view thereof.
FIG. 5 is a bottom plan view thereof.
FIG. 6 is a right side elevation view thereof.
FIG. 7 is a left side elevation view thereof; and,
FIG. 8 is an enlarged cross-sectional view thereof taken
along line 8—8 in FIG. 2.

See application file for complete search history.

The portion of the article shown in broken lines is for illustrative purpose only and forms no part of the claimed design.

(56) **References Cited**

U.S. PATENT DOCUMENTS

D194,318 S * 1/1963 Knowles D8/30
3,580,462 A * 5/1971 Vanyi 228/51
D299,207 S * 1/1989 Arehart D8/30
D300,200 S * 3/1989 Arehart D8/30
D300,297 S * 3/1989 Arehart D8/30

1 Claim, 8 Drawing Sheets

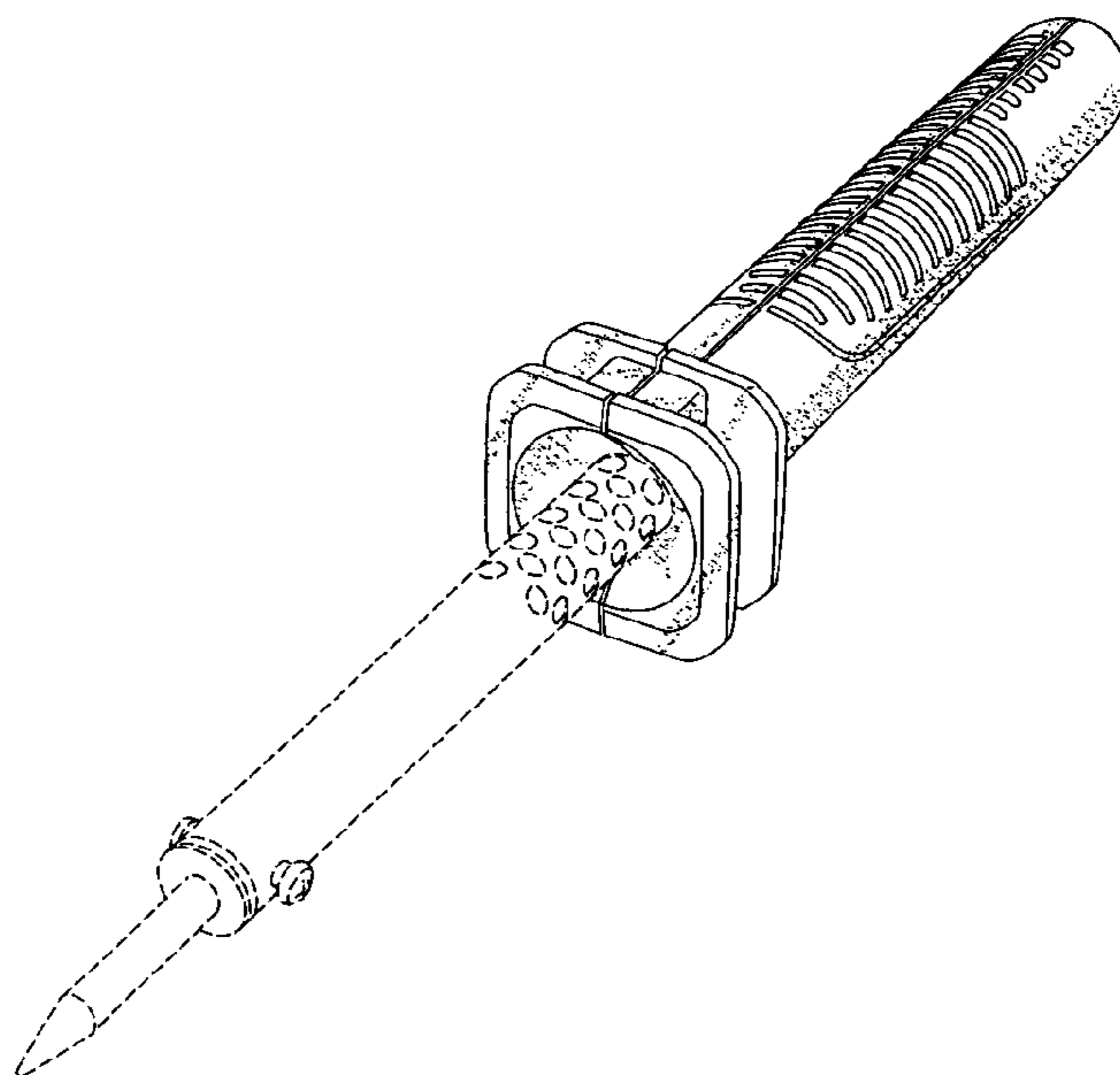


FIG. 1

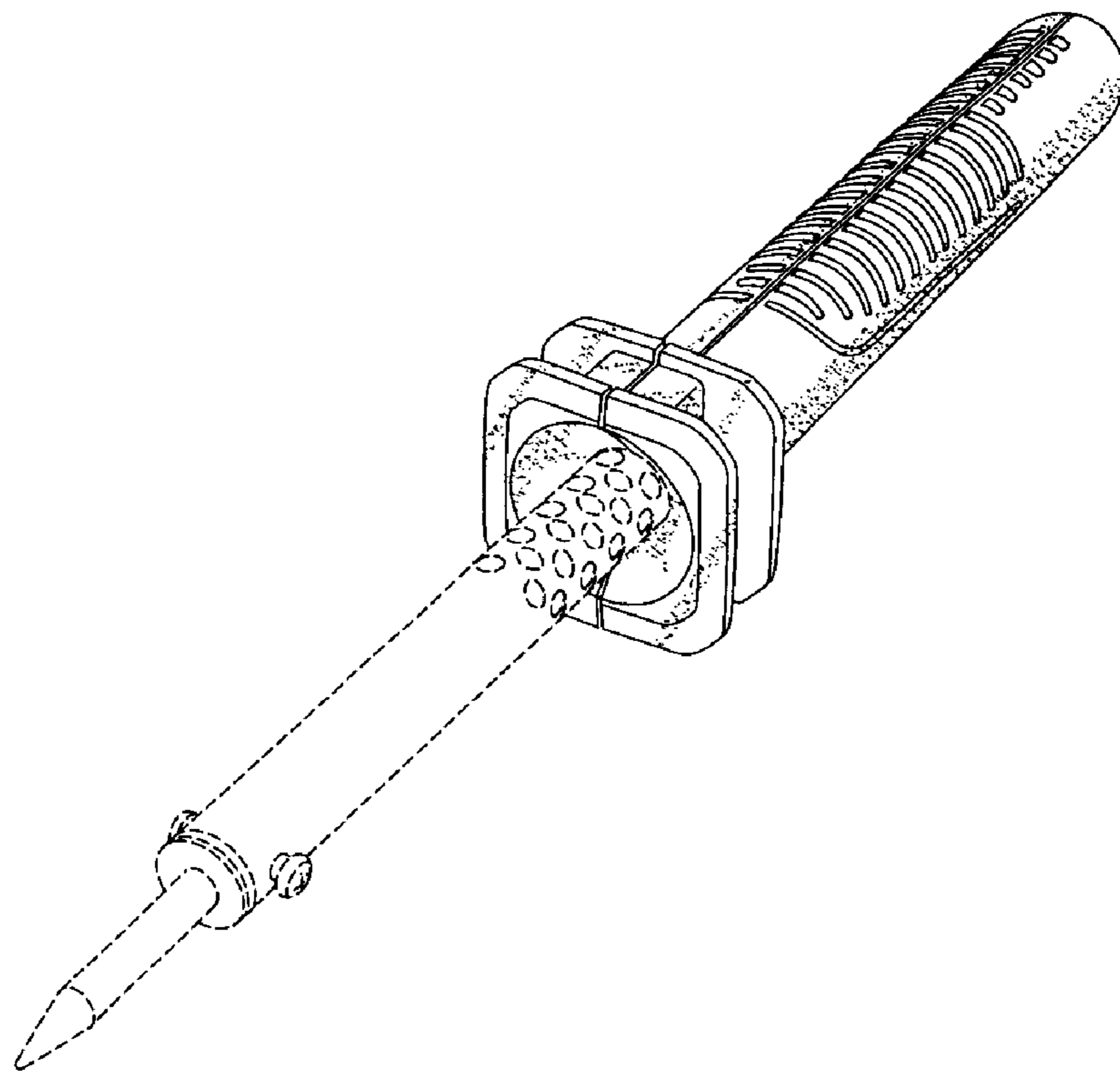


FIG. 2

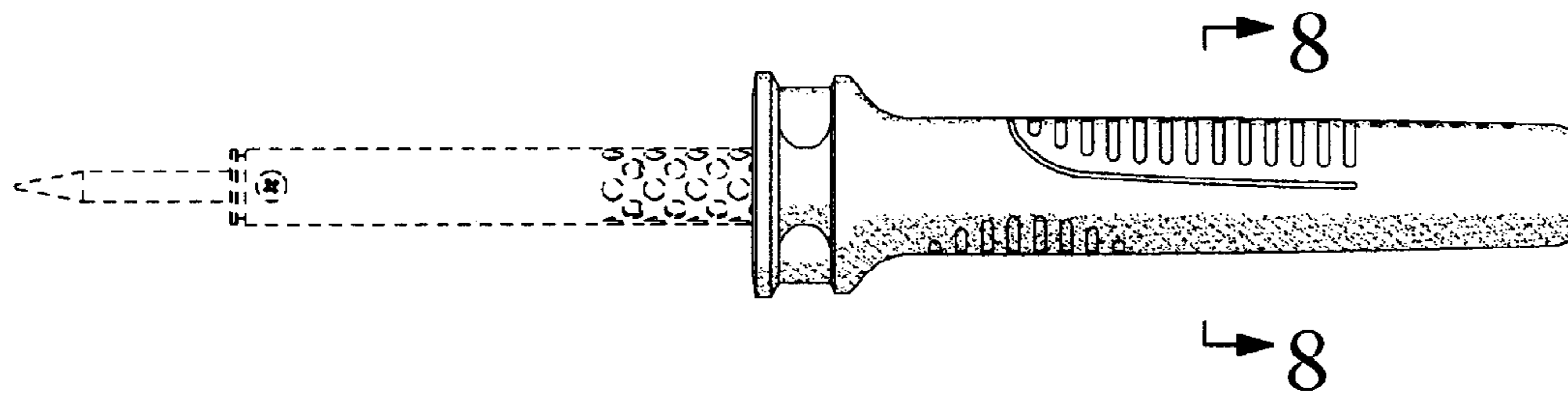


FIG. 3

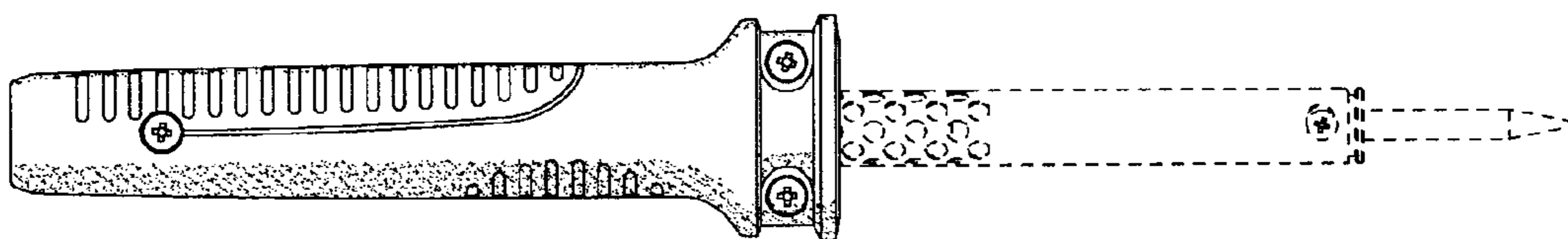


FIG. 4

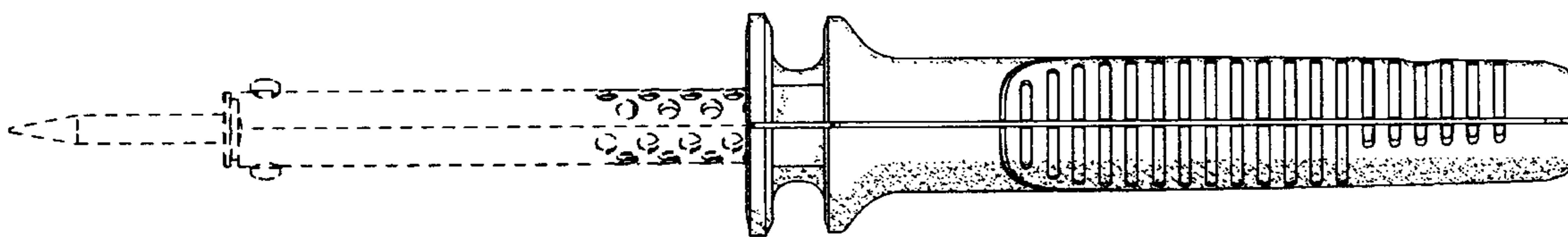


FIG. 5

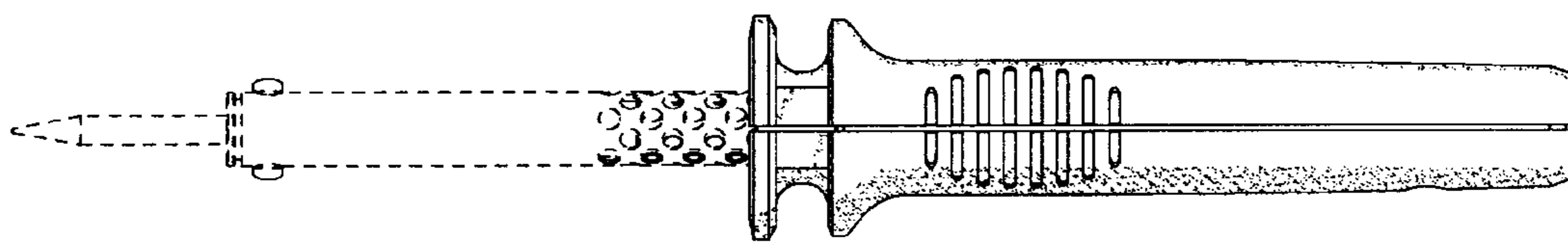


FIG. 6

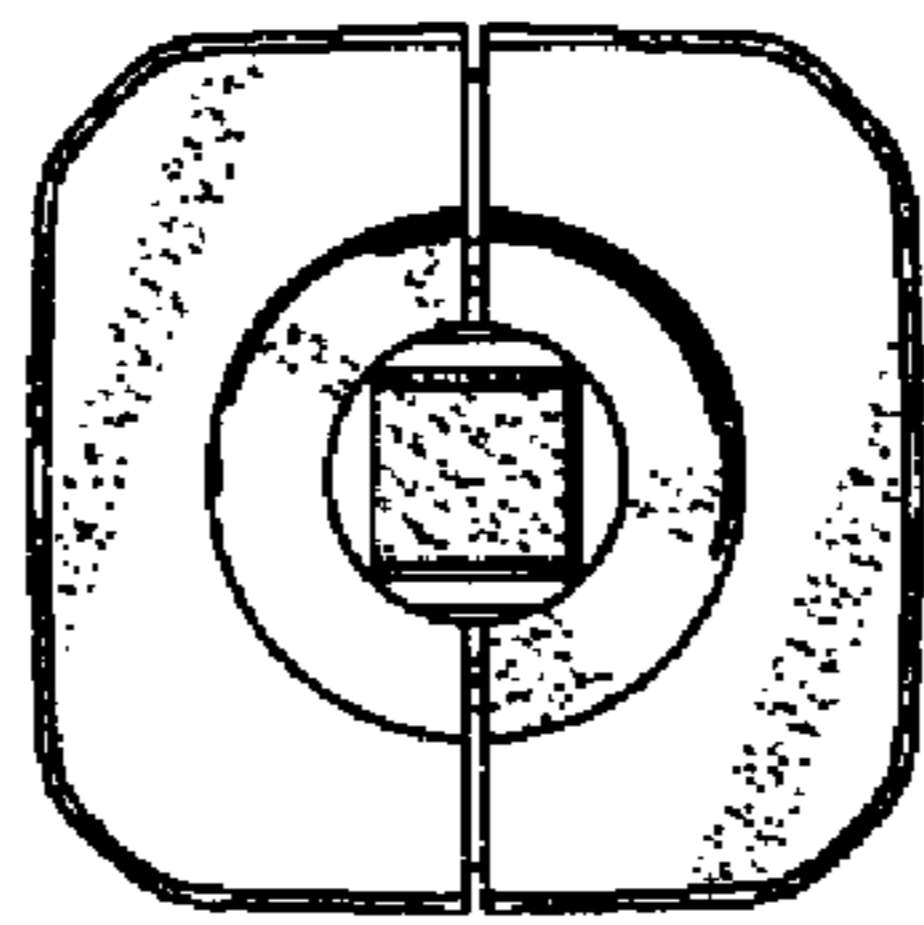


FIG. 7

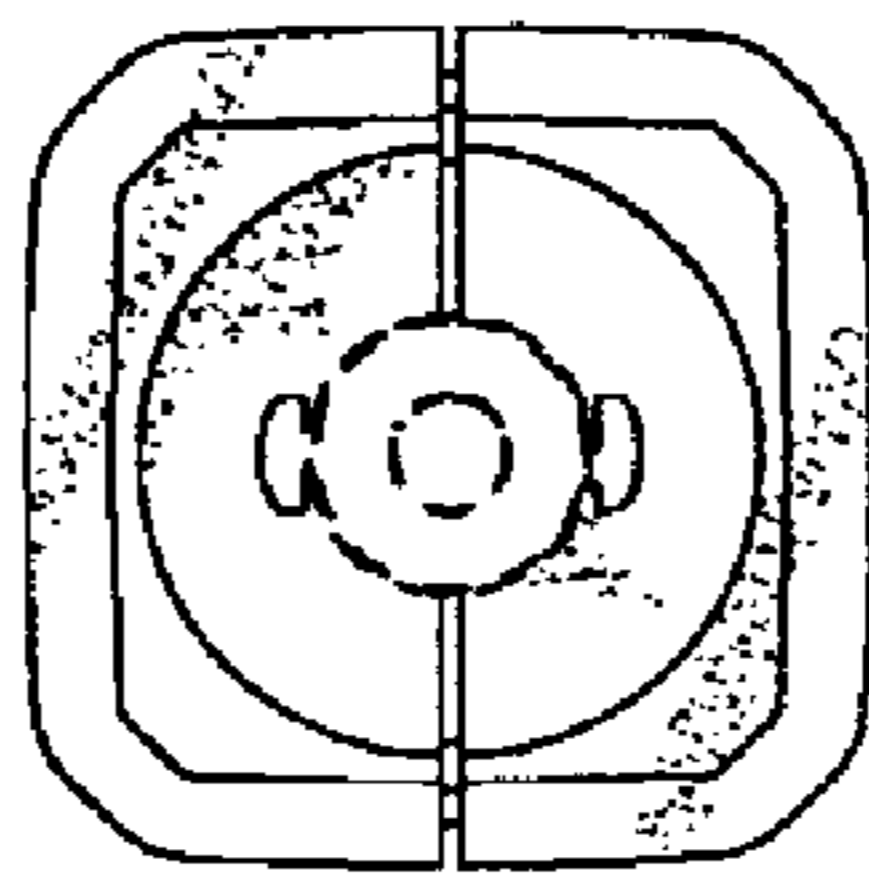


FIG. 8

