



US00D530167S

(12) **United States Design Patent**  
**Tripp, Jr.**

(10) **Patent No.:** **US D530,167 S**

(45) **Date of Patent:** **\*\* Oct. 17, 2006**

(54) **FLARE TEE HOLDING SOCKET**

(76) Inventor: **Wilbur Floyd Tripp, Jr.**, 7030 State Rd., ZZ, West Plains, MO (US) 65775

(\*\*) Term: **14 Years**

(21) Appl. No.: **29/235,045**

(22) Filed: **Jul. 27, 2005**

5,005,451 A *	4/1991	Lee et al. ....	81/487
5,007,312 A	4/1991	Bailey	
D319,171 S *	8/1991	McCord, Jr. ....	D8/70
D366,996 S *	2/1996	Torres .....	D8/29
5,699,701 A *	12/1997	Cotten, Jr. ....	81/3.4
5,862,721 A *	1/1999	Kowats .....	81/121.1
6,082,230 A *	7/2000	Steinweg .....	81/176.15
D432,880 S *	10/2000	Rice et al. ....	D8/29
6,378,401 B1 *	4/2002	Lordahl et al. ....	81/124.4
6,609,445 B1 *	8/2003	Elmore .....	81/124.2

**Related U.S. Application Data**

(63) Continuation of application No. 10/732,051, filed on Dec. 10, 2003, now abandoned.

(51) **LOC (8) Cl.** ..... **08-05**

(52) **U.S. Cl.** ..... **D8/29**

(58) **Field of Classification Search** ..... D8/21-29,  
D8/71, 107; D17/22; 81/13, 44, 55, 487,  
81/3.4, 119-121.1, 3, 16, 60-62.3, 177.1,  
81/177.8, 124.3, 124.7, 125.1, 125.5, 177.5,  
81/176.1, 176.15, 186, 436, 58.1; 7/100,  
7/151

See application file for complete search history.

(56) **References Cited**

**U.S. PATENT DOCUMENTS**

1,579,795 A *	4/1926	Sears .....	81/119
3,119,290 A	1/1964	Ivie	
3,277,749 A	10/1966	Osburn et al.	
3,772,943 A *	11/1973	Itano .....	81/119
4,016,783 A *	4/1977	Spector et al. ....	81/459
4,334,443 A	6/1982	Pearson	
4,542,666 A *	9/1985	White .....	81/176.1
4,546,679 A	10/1985	Burghardt	
4,802,391 A *	2/1989	Willhoite et al. ....	81/488
D301,964 S *	7/1989	Ball .....	D8/24

\* cited by examiner

*Primary Examiner*—Raphael Barkai

*Assistant Examiner*—Randall H. Gholson

(74) *Attorney, Agent, or Firm*—Richard L. Marsh

(57) **CLAIM**

The ornamental design for a flare tee holding socket, as shown and described.

**DESCRIPTION**

FIG. 1 is a upper right perspective of the flare tee holding socket.

FIG. 2 is a front plan view of the design for the flare tee holding socket, the rear plan view identical.

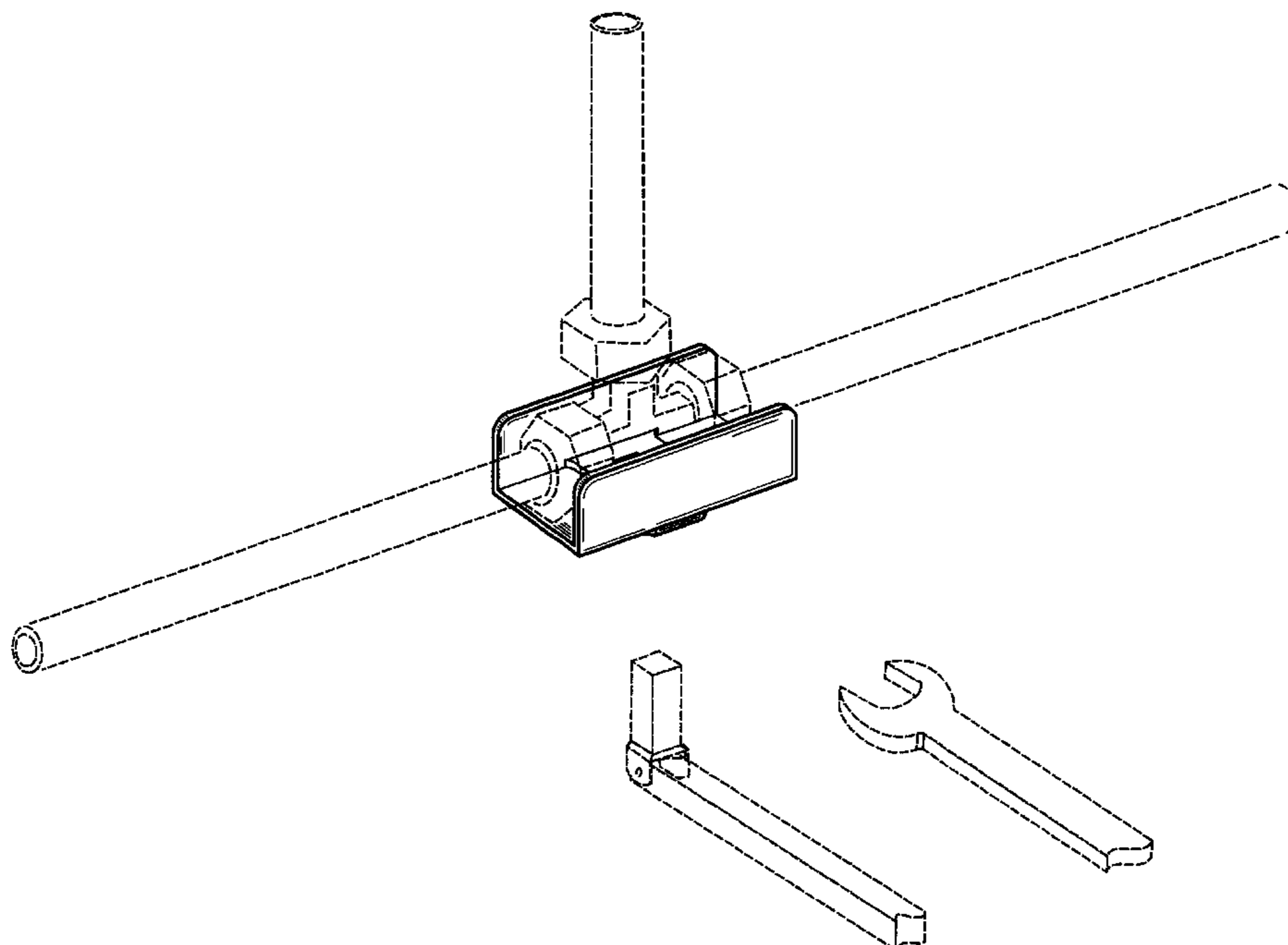
FIG. 3 is a right side plan view of the design for the flare tee holding socket, the left side plan view identical.

FIG. 4 is a top plan view of the design for the flare tee holding socket; and,

FIG. 5 is a bottom plan view of the design for the flare tee holding socket.

The dashed lines represent the flare tee and the wrenches used with the holding socket and therefore form no part of the invention.

**1 Claim, 2 Drawing Sheets**



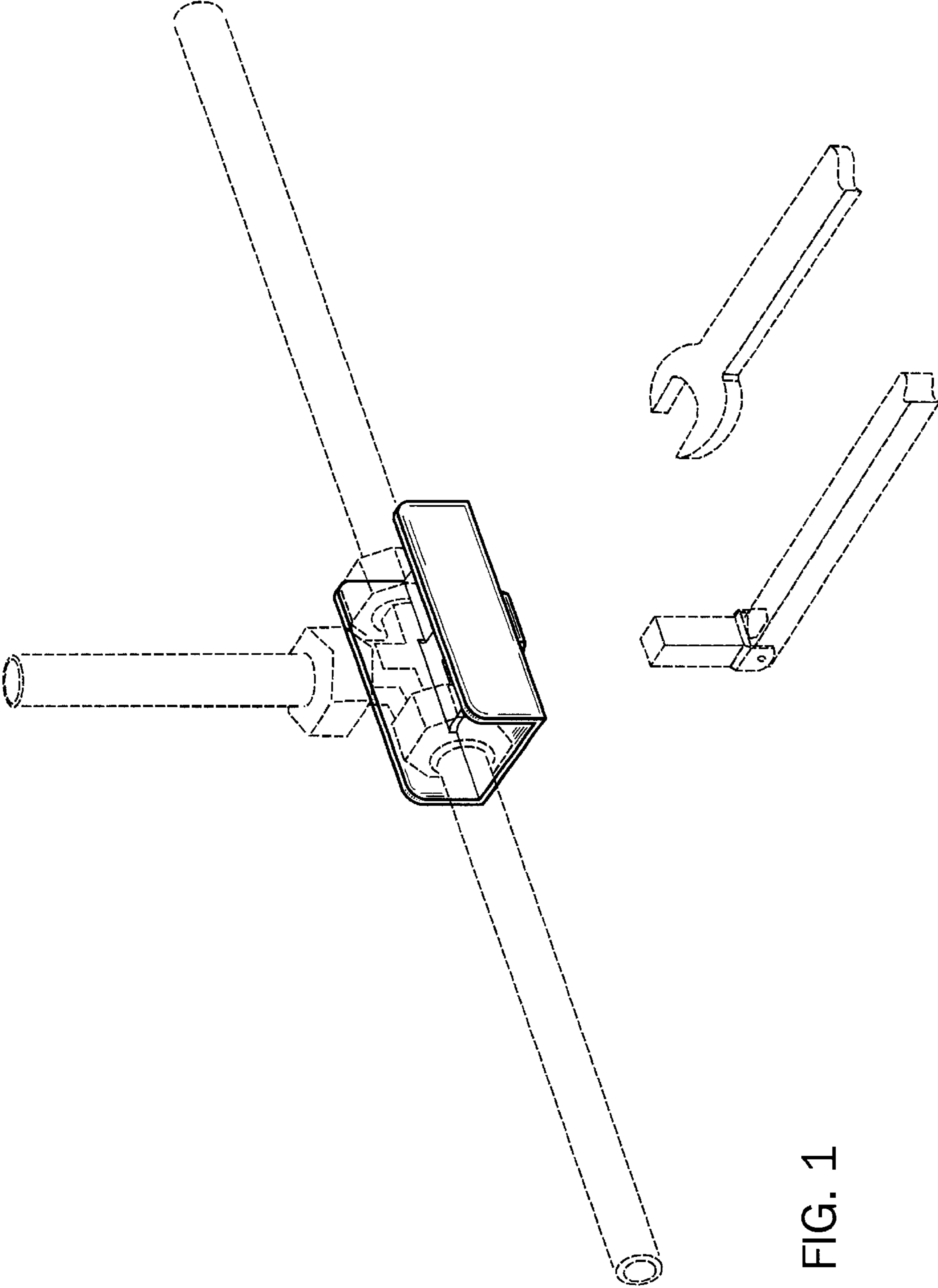


FIG. 1

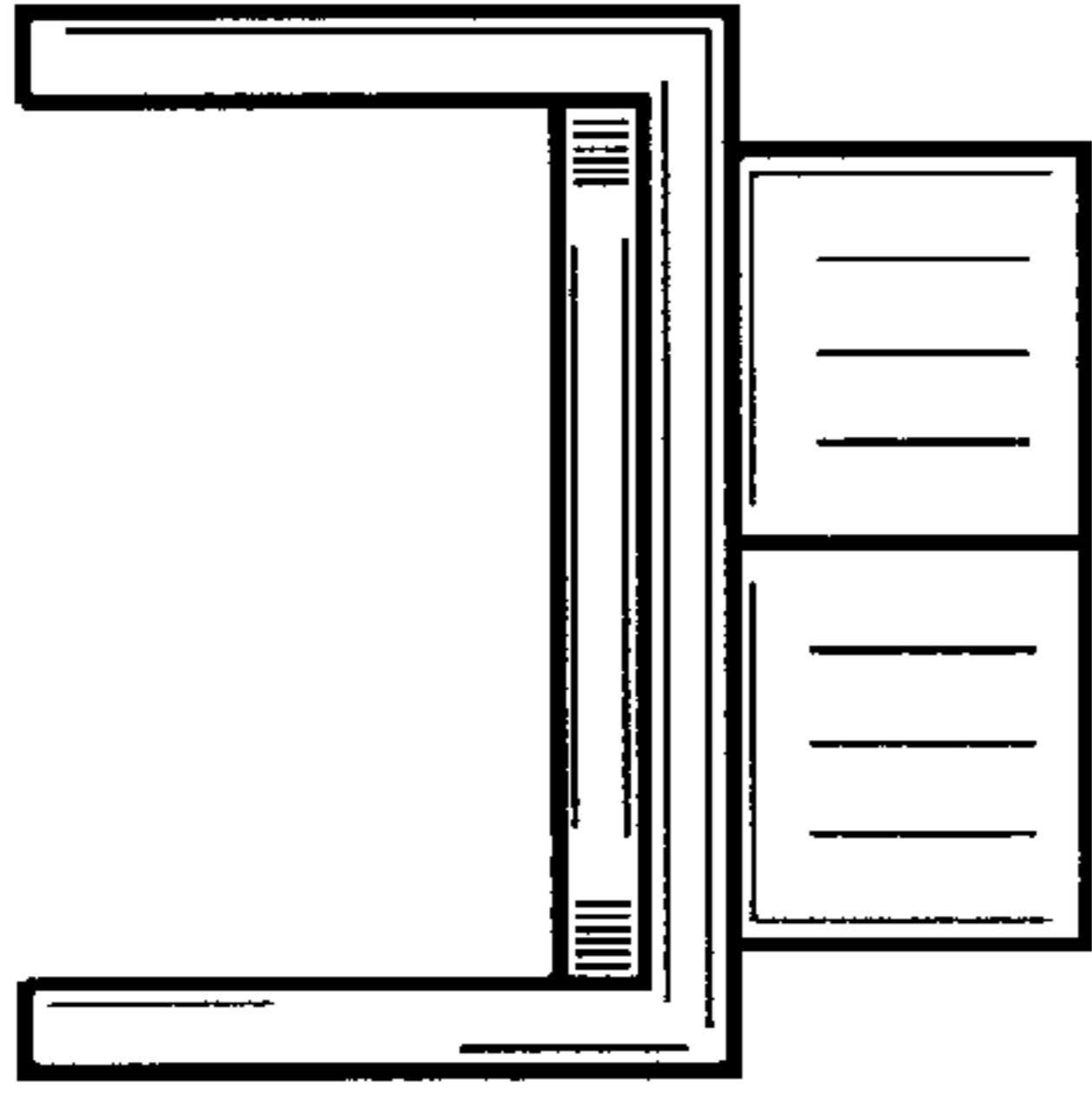


FIG. 3

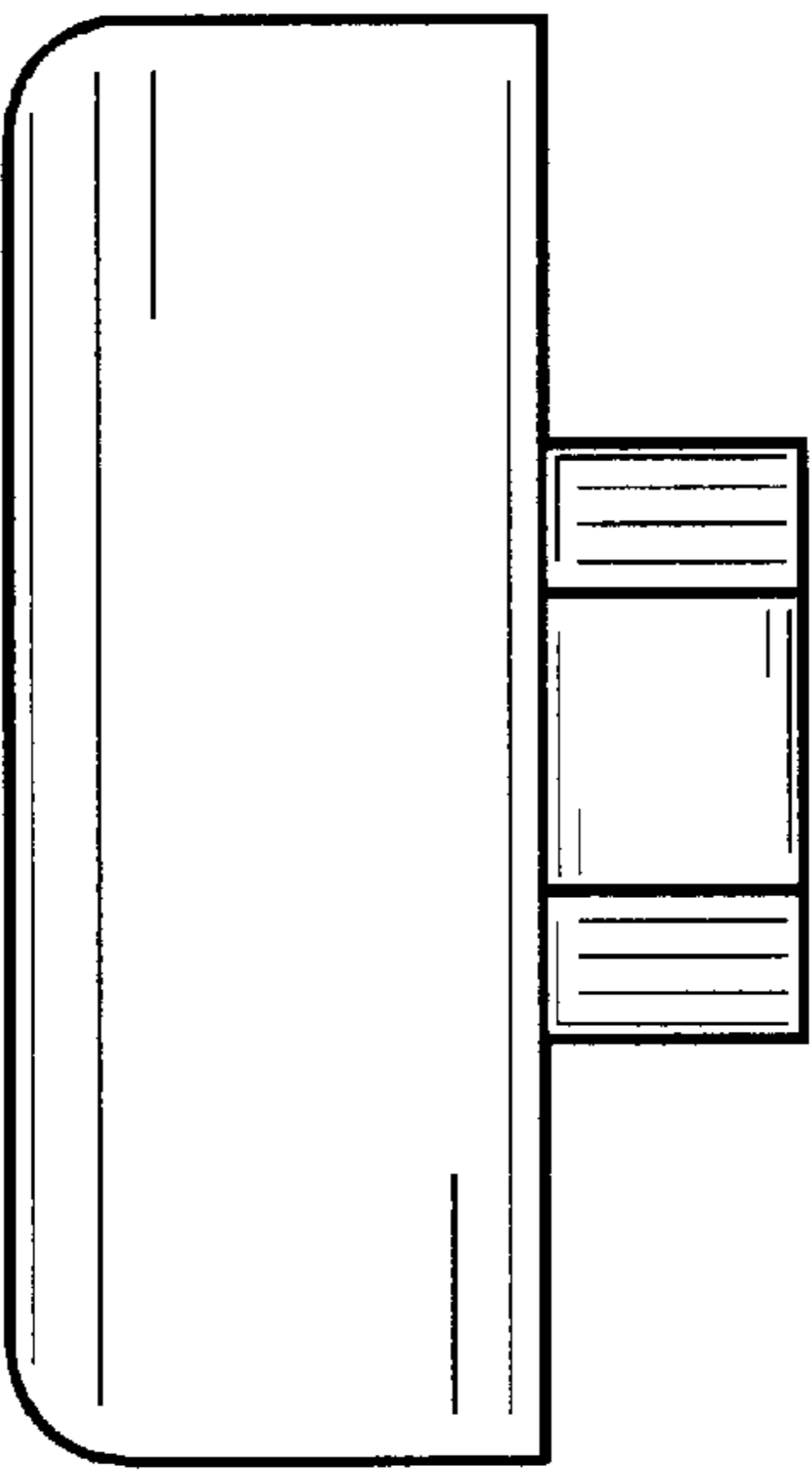


FIG. 2

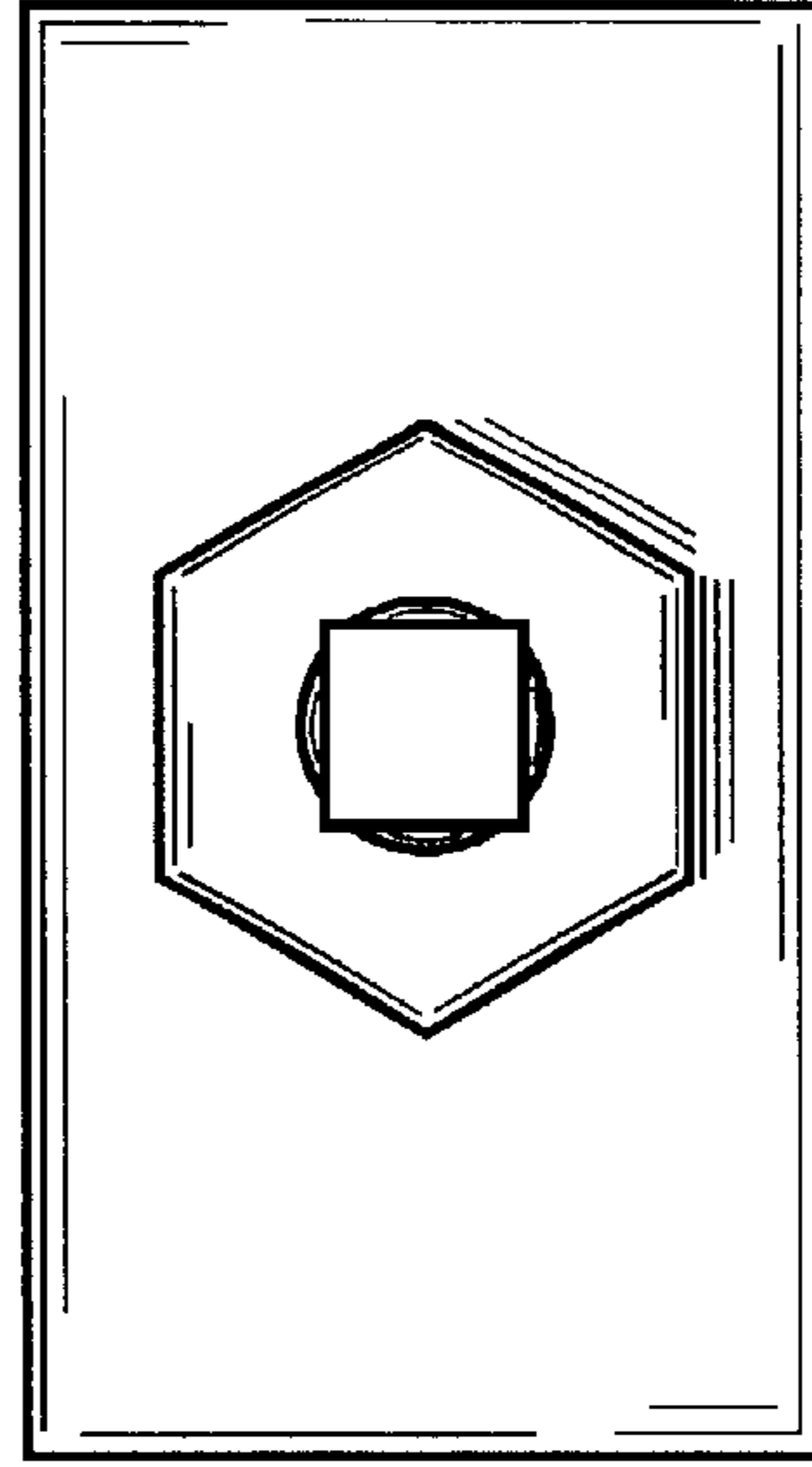


FIG. 5

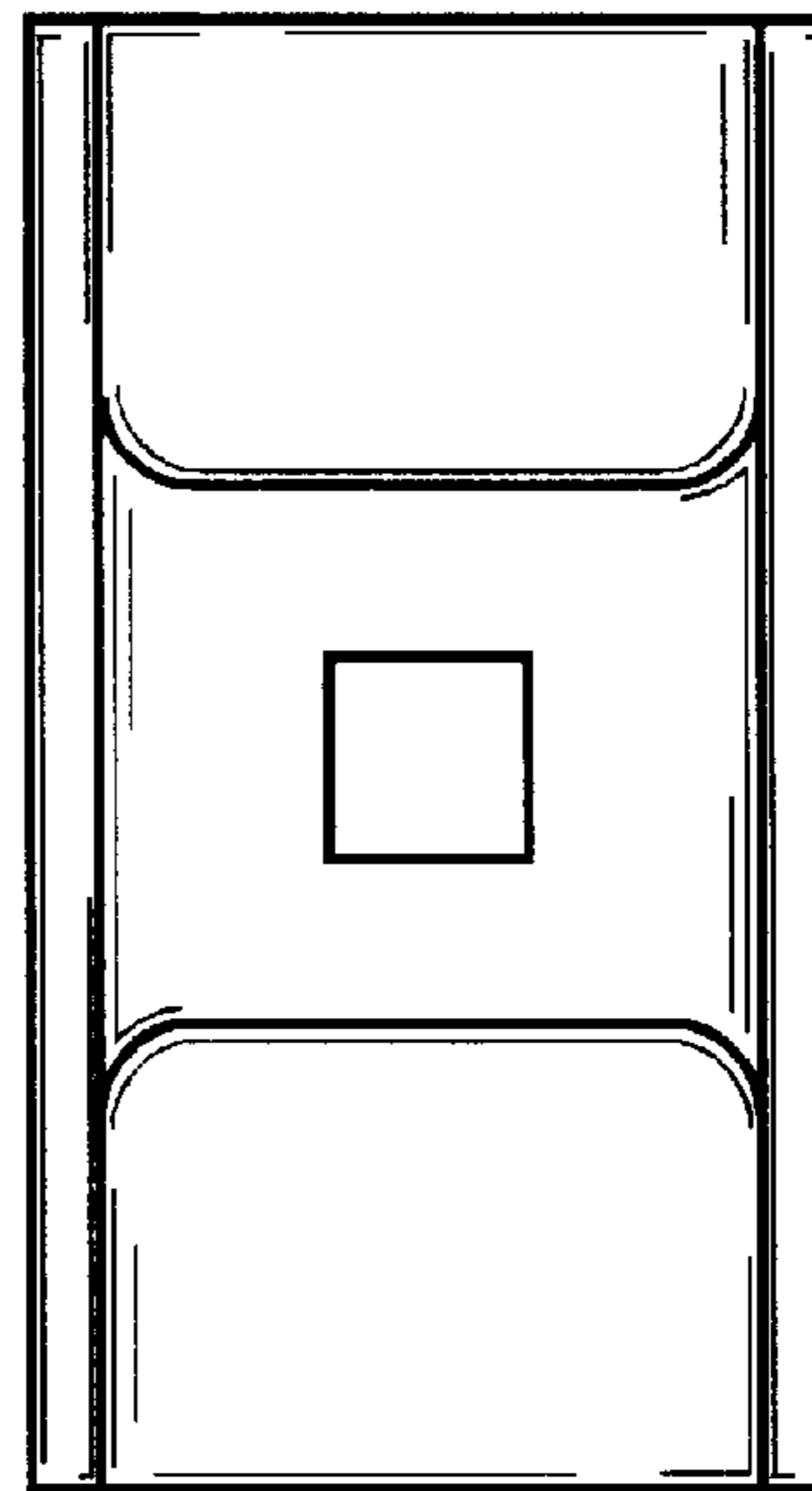


FIG. 4