

US00D530165S

(12) **United States Design Patent**
Tanaka

(10) **Patent No.:** **US D530,165 S**

(45) **Date of Patent:** **** Oct. 17, 2006**

(54) **HEAD FOR A CAULKING APPARATUS**

6,889,872 B1 * 5/2005 Herman et al. 222/82

(75) Inventor: **Yoji Tanaka**, Yokohama (JP)

OTHER PUBLICATIONS

(73) Assignee: **Polymer Systems Co., Ltd.**, Yokohama (JP)

U.S. Appl. No. 29/214,512, filed Oct. 4, 2004, (8 pages).
Community Design Registration No. 000241468-0001 published on Dec. 28, 2004 corresponding to U.S. Appl. No. 29/214,512 (4 pages).

(**) Term: **14 Years**

* cited by examiner

(21) Appl. No.: **29/217,566**

Primary Examiner—Philip S. Hyder

(22) Filed: **Nov. 18, 2004**

(74) *Attorney, Agent, or Firm*—Osha Liang L.L.P.

(30) **Foreign Application Priority Data**

(57) **CLAIM**

Oct. 13, 2004 (JP) 2004-031023

The ornamental design for a head for a caulking apparatus, as shown and described.

(51) **LOC (8) Cl.** **08-05**

DESCRIPTION

(52) **U.S. Cl.** **D8/14.1**

(58) **Field of Classification Search** D8/14,
D8/14.1; 222/135, 459, 566, 569, 570, 137
See application file for complete search history.

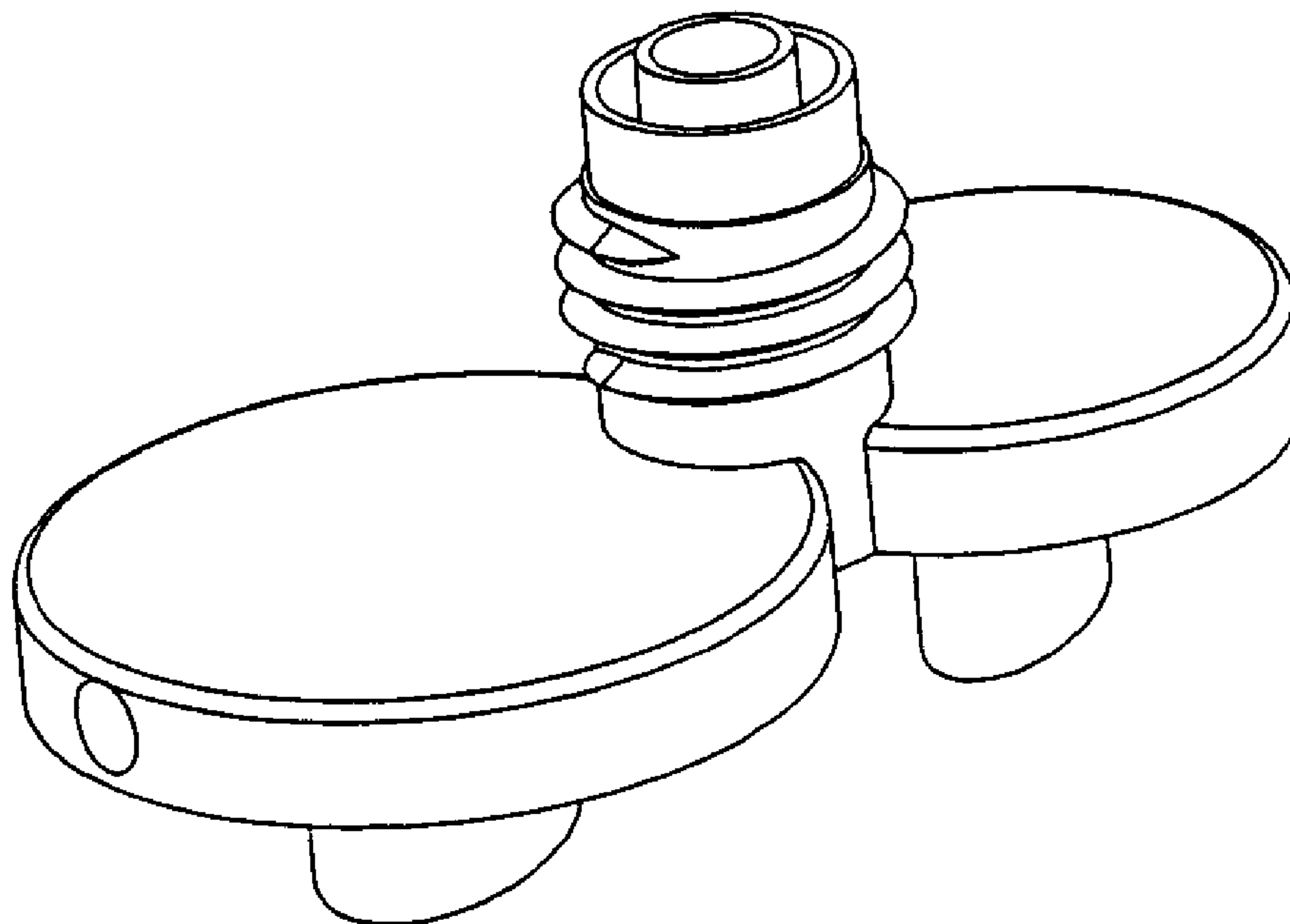
FIG. 1 shows a front view of the design.
FIG. 2 shows a left side view of the design.
FIG. 3 shows a right side view of the design.
FIG. 4 shows a top plan view of the design.
FIG. 5 shows a rear view of the design.
FIG. 6 shows a bottom plan view of the design.
FIG. 7 shows a perspective view seen from the front side of the design; and,
FIG. 8 shows a perspective view seen from the rear side of the design.

(56) **References Cited**

U.S. PATENT DOCUMENTS

5,228,599 A * 7/1993 Keller 222/137
5,330,079 A * 7/1994 Keller 222/135
5,458,262 A * 10/1995 Keller 222/135
D377,891 S * 2/1997 Bencich D8/14.1
D443,488 S * 6/2001 Palladino D8/14.1
6,311,871 B1 * 11/2001 Binder 222/145.6

1 Claim, 4 Drawing Sheets



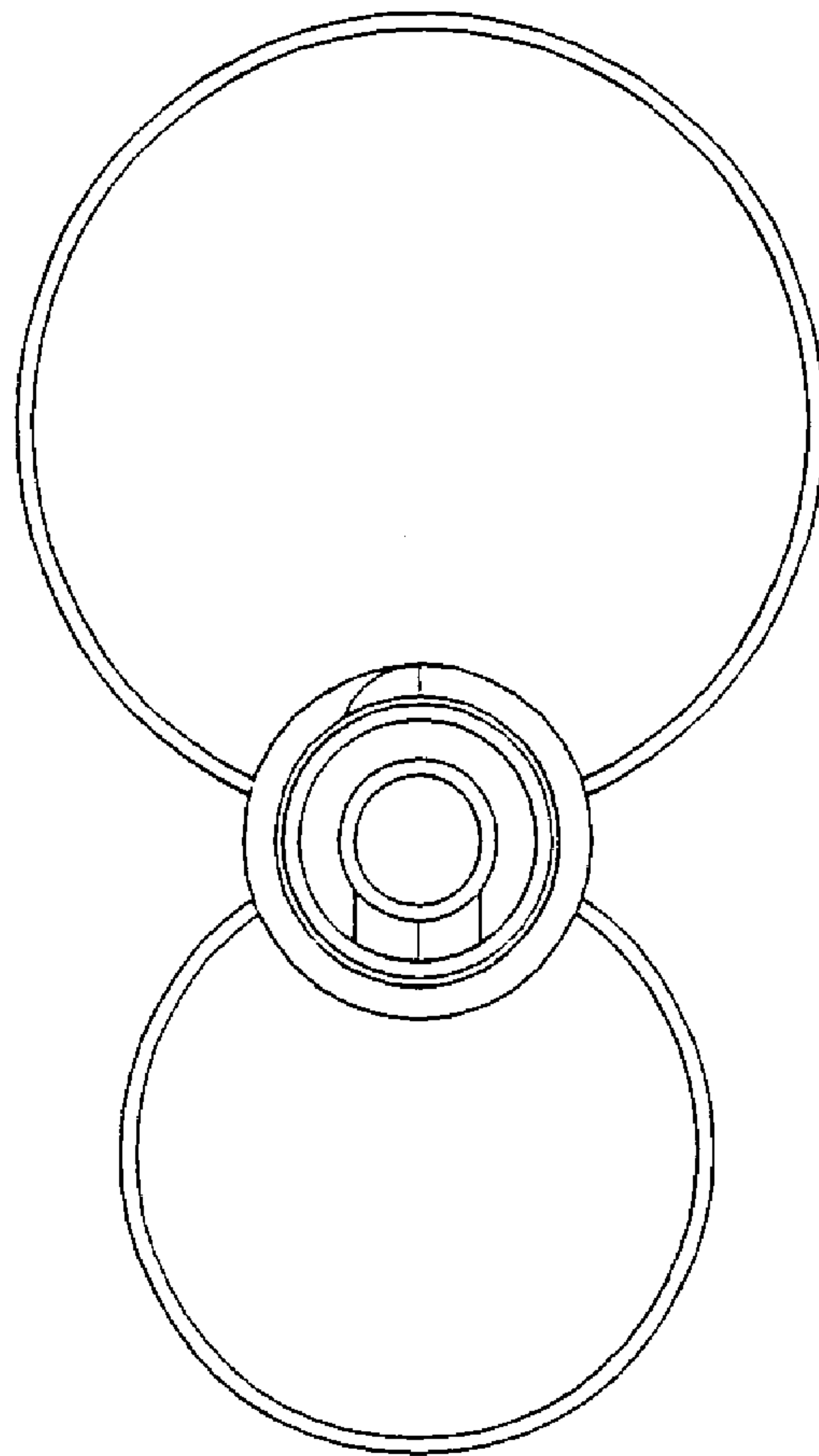


FIG. 1

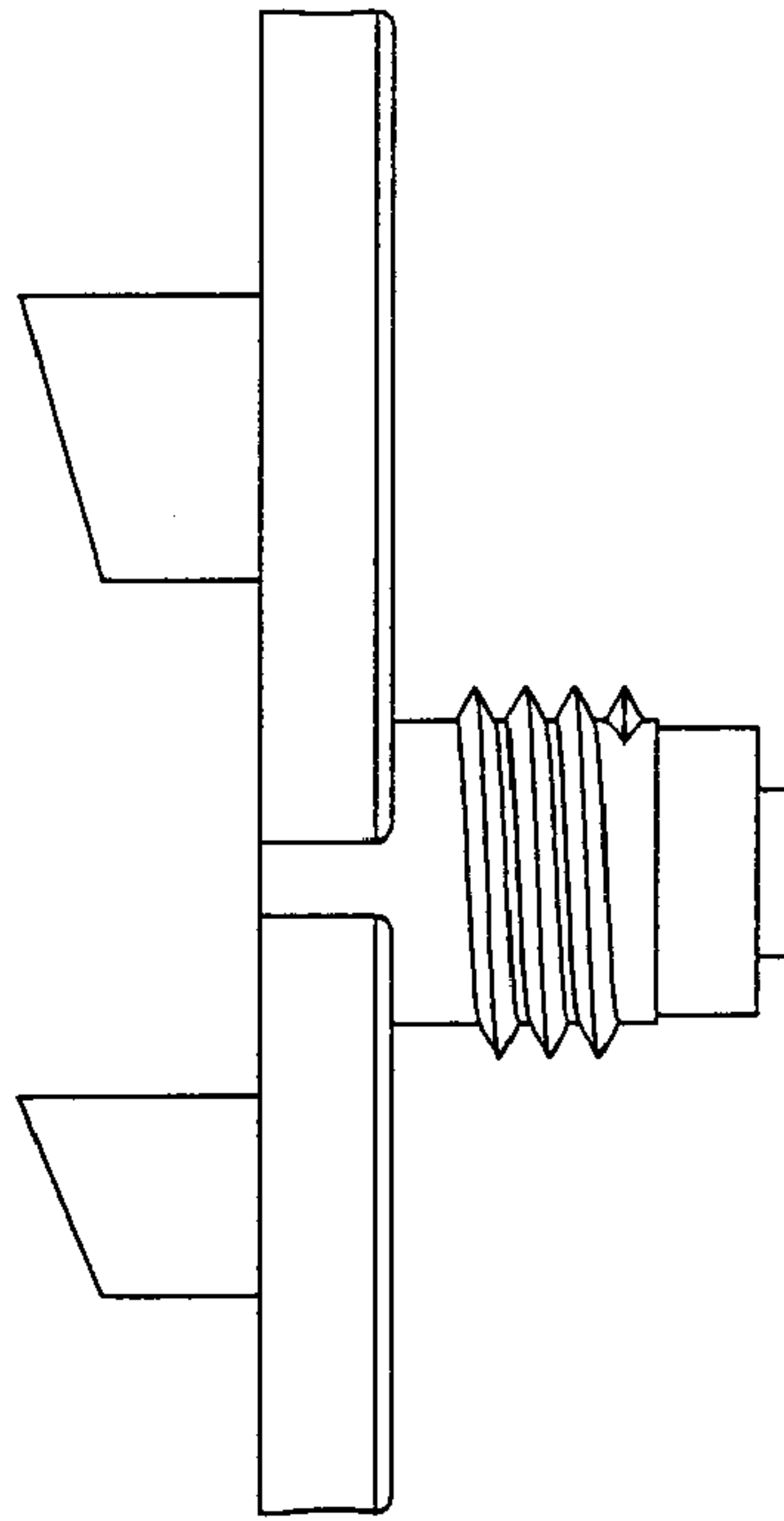


FIG. 2

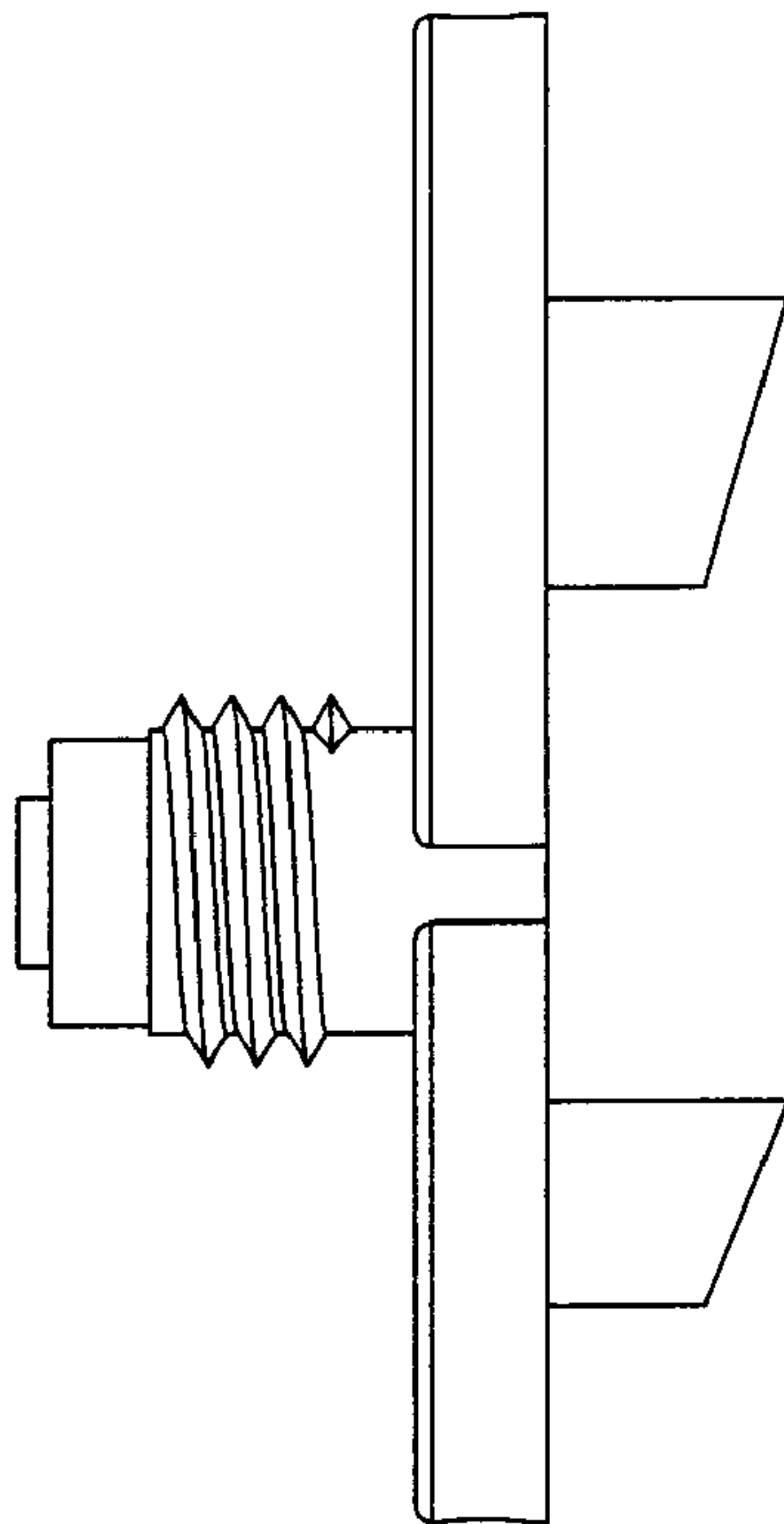


FIG. 3

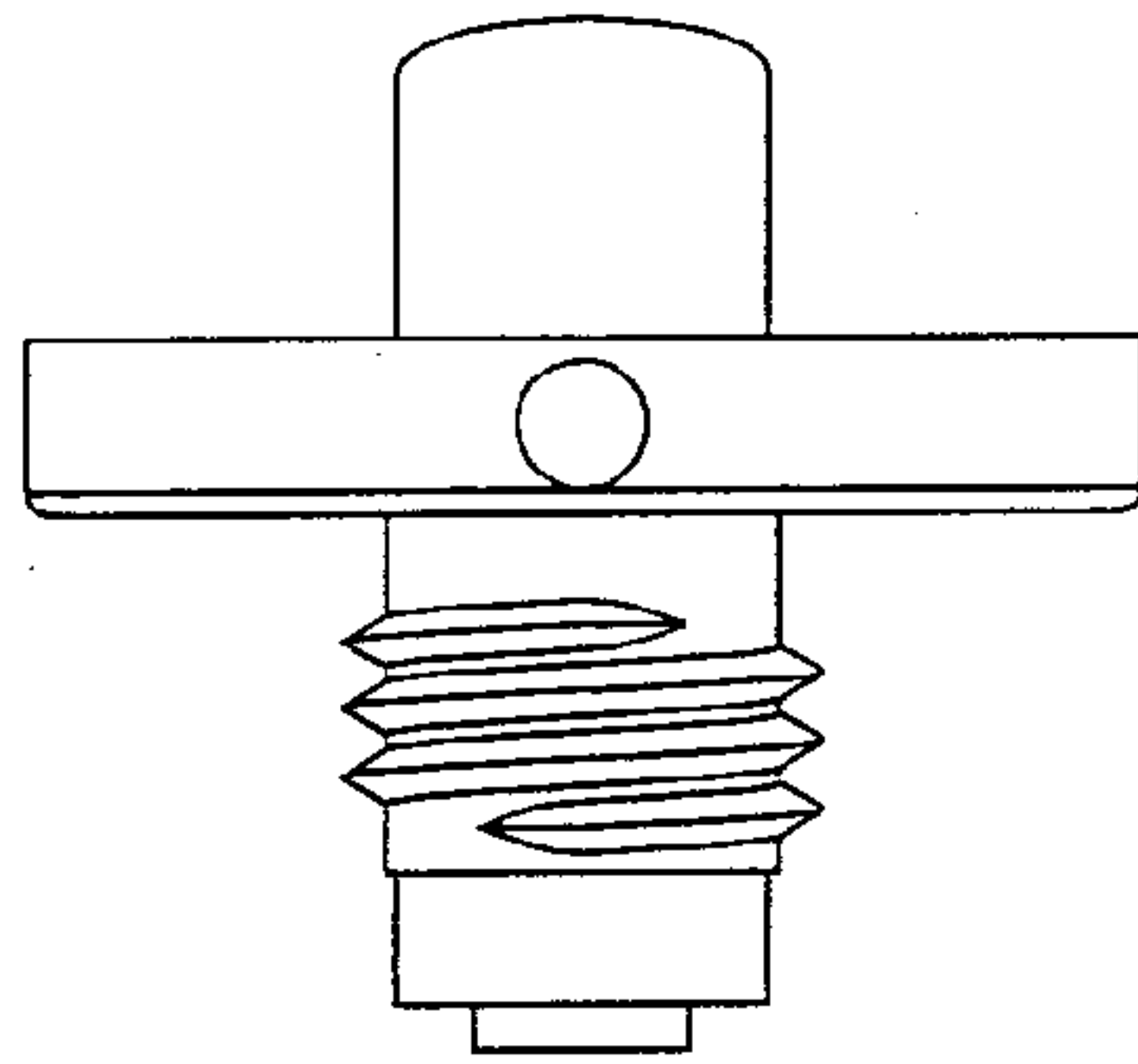


FIG. 4

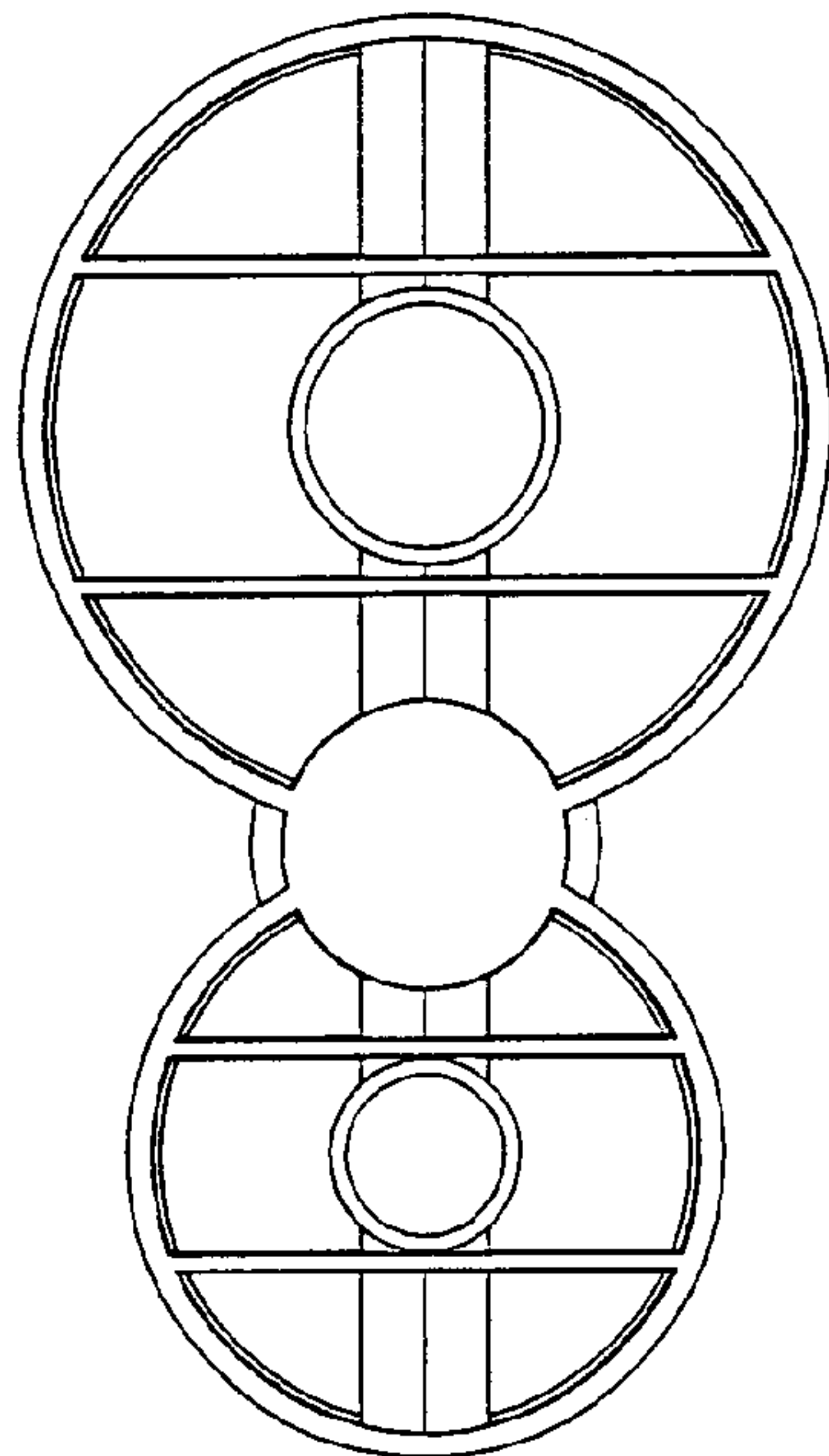


FIG. 5

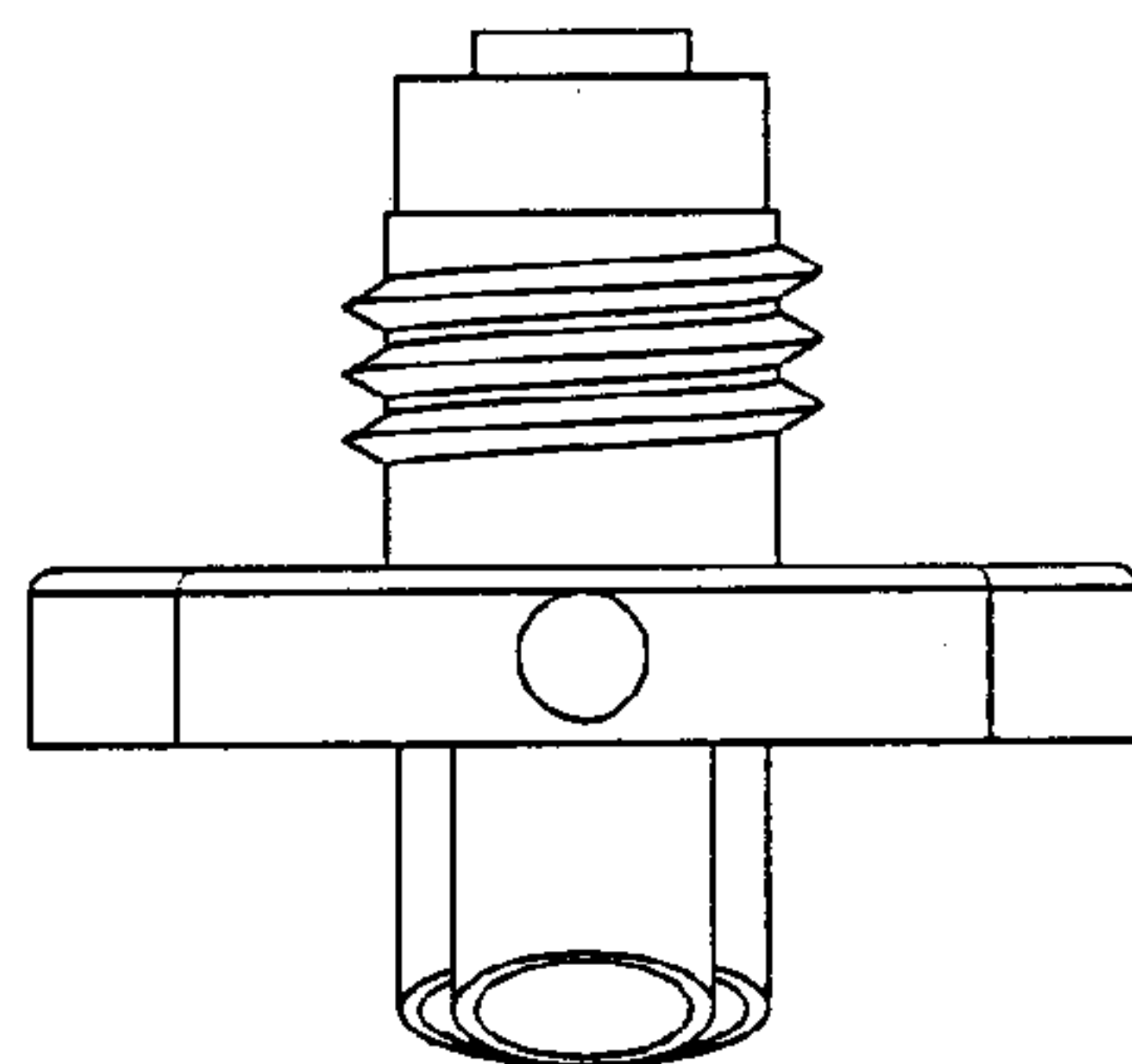


FIG. 6

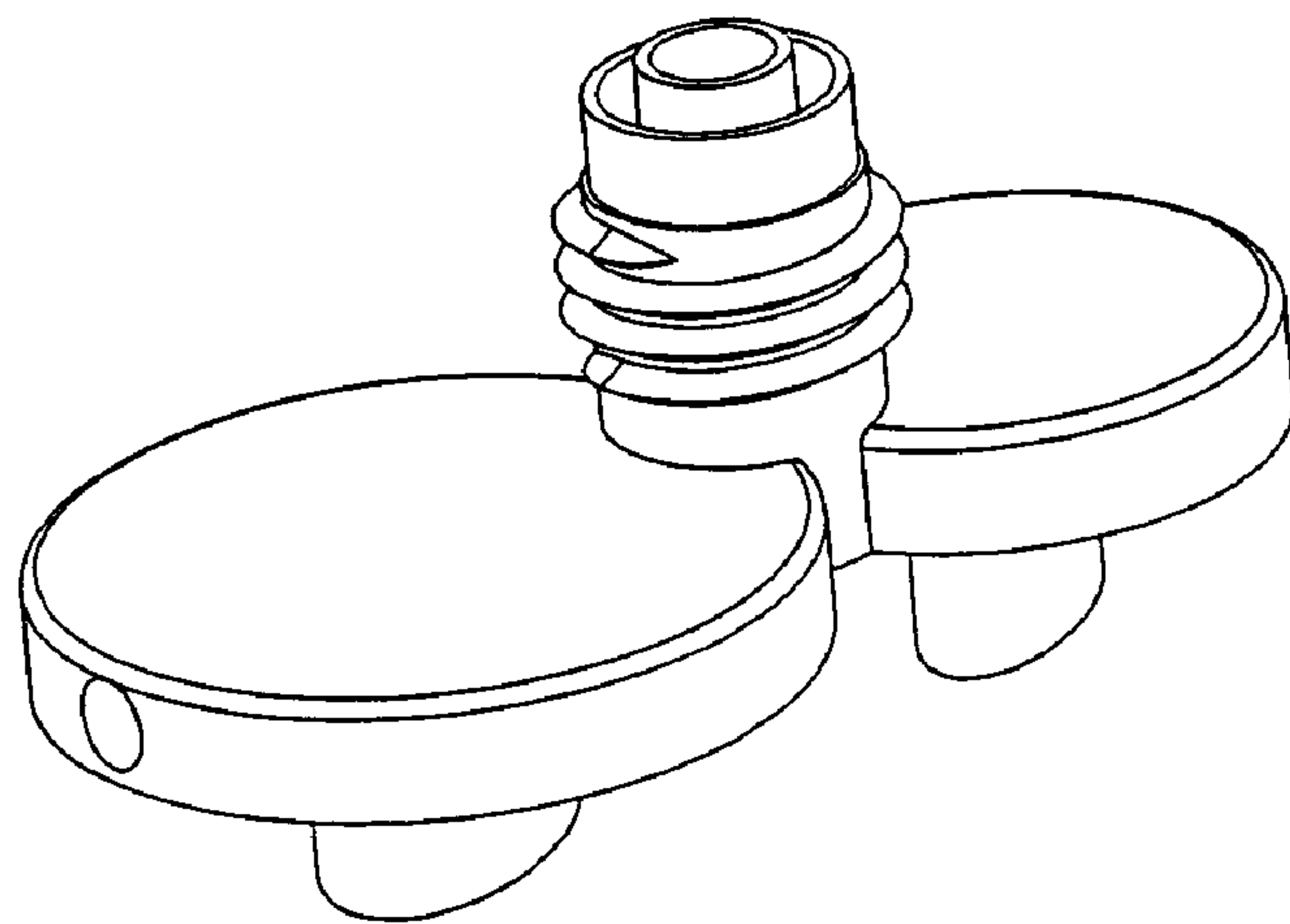


FIG. 7

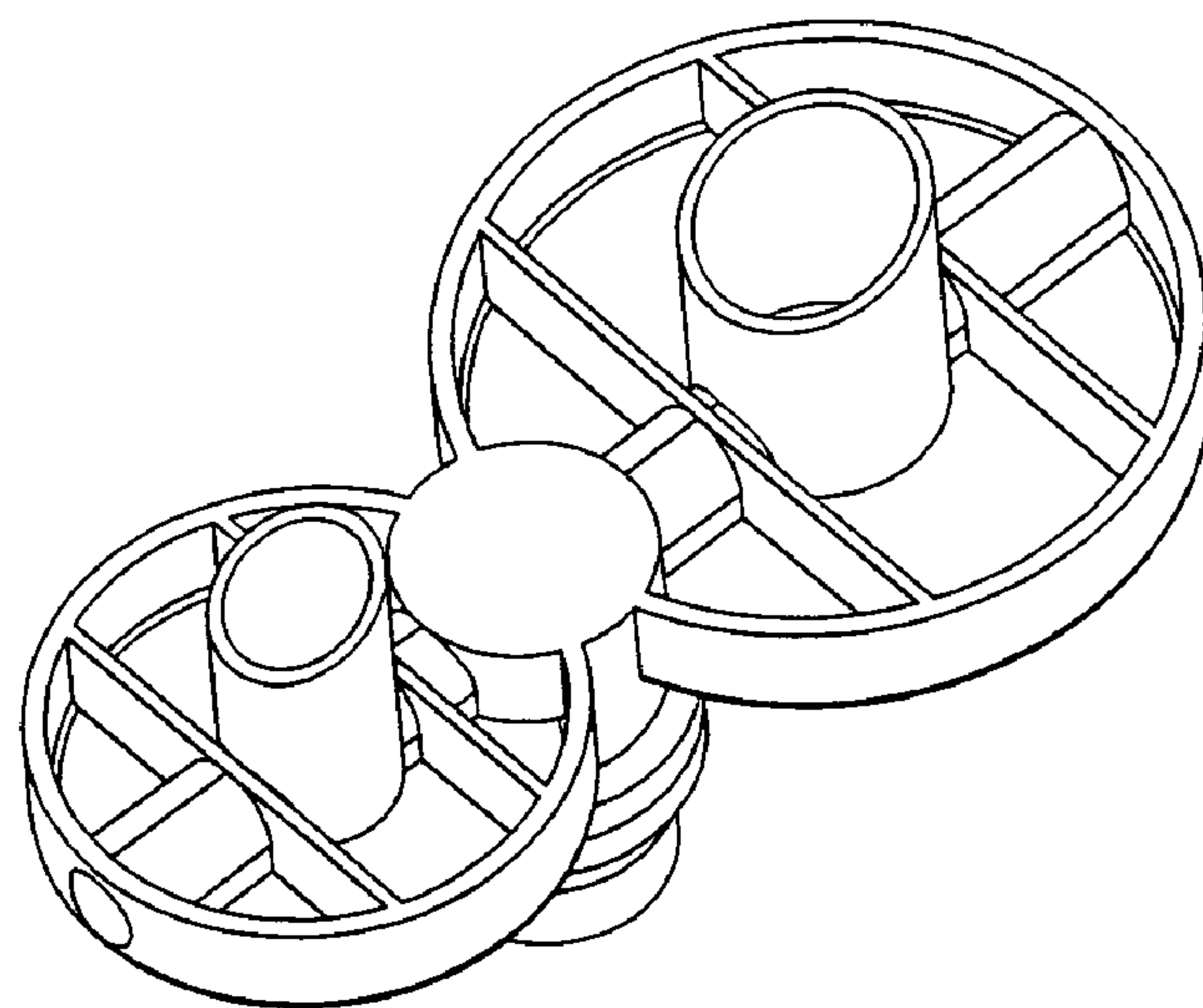


FIG. 8