



US00D530164S

(12) **United States Design Patent**  
**Farley**

(10) **Patent No.:** **US D530,164 S**

(45) **Date of Patent:** **\*\* Oct. 17, 2006**

(54) **GARDENING SAW HEAD**

D414,670 S \* 10/1999 Linden ..... D8/99  
D420,262 S \* 2/2000 Khachatoorian ..... D8/20

(76) Inventor: **Scot Farley**, 37 Princess Street, Cannon Hill (AU), 4170

\* cited by examiner

(\*\*) Term: **14 Years**

*Primary Examiner*—Holly Baynham  
(74) *Attorney, Agent, or Firm*—Shoemaker and Mattare

(21) Appl. No.: **29/244,643**

(57) **CLAIM**

(22) Filed: **Dec. 13, 2005**

The ornamental design for a gardening saw head, as shown and described.

**Related U.S. Application Data**

**DESCRIPTION**

(62) Division of application No. 29/208,221, filed on Jun. 28, 2004.

(51) **LOC (8) Cl.** ..... **08-01**

(52) **U.S. Cl.** ..... **D8/9; D8/7**

(58) **Field of Classification Search** ..... D8/7,  
D8/9; 30/144, 166.3

See application file for complete search history.

FIG. 1 is a perspective view showing a gardening saw head embodying the design, from the top and right;  
FIG. 2 is a perspective view thereof, from the top and left;  
FIG. 3 is an exploded perspective view thereof from the top and right side;  
FIG. 4 is an exploded perspective view thereof from the top and left side;  
FIG. 5 is a reduced scale top plan view thereof;  
FIG. 6 is a right side elevation thereof;  
FIG. 7 is a bottom plan view thereof; and,  
FIG. 8 is a perspective view thereof, from the right side and front.

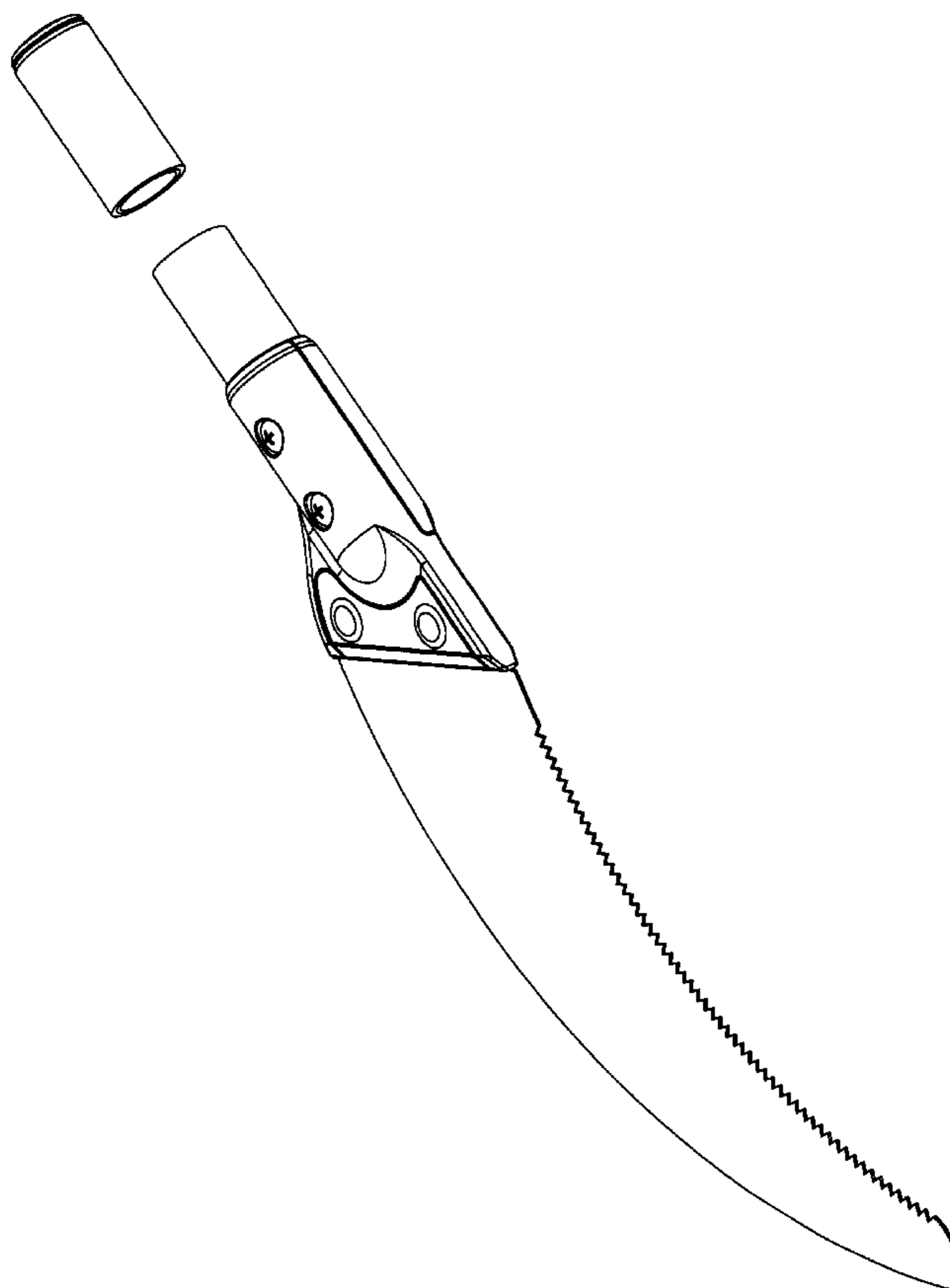
The claim design is shown broken away to indicate indeterminate length.

(56) **References Cited**

**U.S. PATENT DOCUMENTS**

698,764	A	*	4/1902	Tyler	.....	30/166.3
2,286,418	A	*	6/1942	Hoyt	.....	30/144
4,627,165	A	*	12/1986	Gibson	.....	30/166.3
D316,952	S	*	5/1991	Ishida et al.	.....	D8/9
D346,937	S	*	5/1994	Backman	.....	D8/7
5,613,301	A	*	3/1997	Sheu	.....	30/144

**1 Claim, 5 Drawing Sheets**



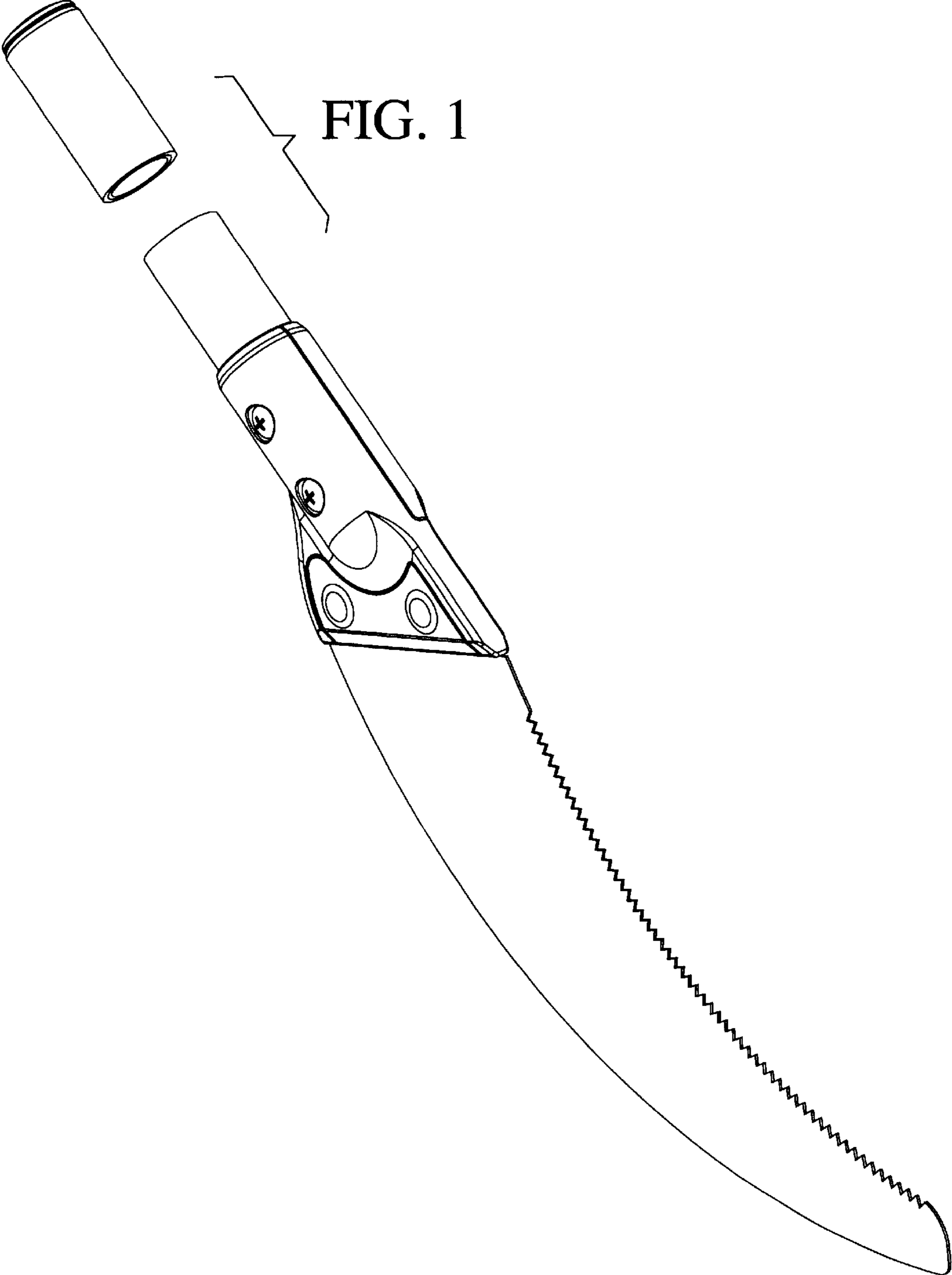
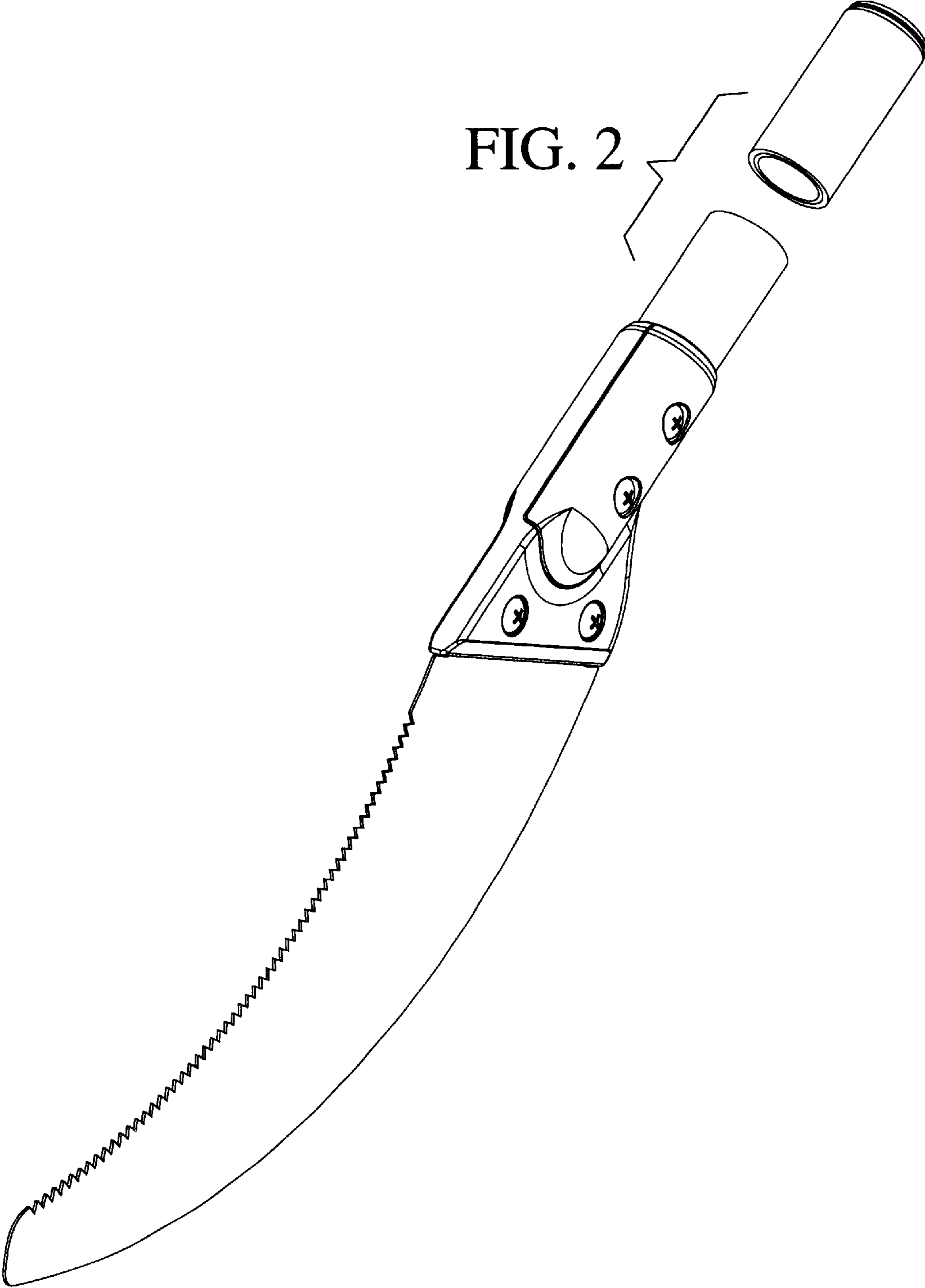


FIG. 2



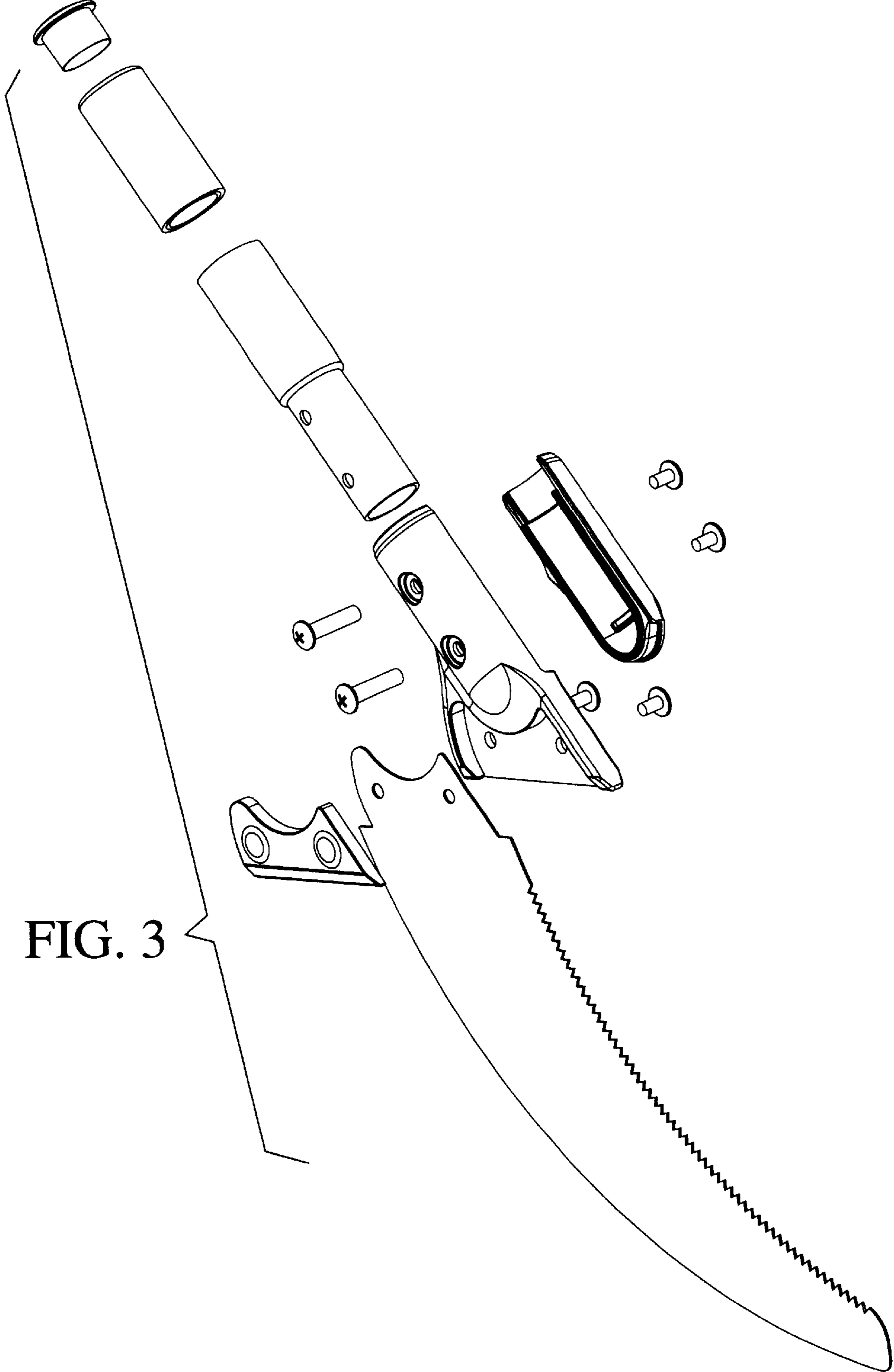


FIG. 3

FIG. 4

