



US00D530163S

(12) **United States Design Patent**  
**Xue-Feng**

(10) **Patent No.:** **US D530,163 S**

(45) **Date of Patent:** **\*\* Oct. 17, 2006**

(54) **GRASS TRIMMER**

(75) Inventor: **Sun Xue-Feng**, Suzhou (CN)

(73) Assignee: **Positec Power Tools (Suzhou) Co., Ltd.**, Suzhou (CN)

(\*\*) Term: **14 Years**

(21) Appl. No.: **29/225,418**

(22) Filed: **Mar. 15, 2005**

(30) **Foreign Application Priority Data**

Sep. 15, 2004 (CN) ..... 2004 3 0070298

(51) **LOC (8) Cl.** ..... **08-01**

(52) **U.S. Cl.** ..... **D8/8**

(58) **Field of Classification Search** ..... D8/8;  
56/12.7; 30/276

See application file for complete search history.

(56) **References Cited**

**U.S. PATENT DOCUMENTS**

D349,220 S \* 8/1994 Griffin ..... D8/8  
D355,818 S \* 2/1995 Nakadachi ..... D8/8

D356,014 S \* 3/1995 Griffin ..... D8/8  
D380,129 S \* 6/1997 Meisner et al. .... D8/8  
D382,450 S \* 8/1997 Meisner et al. .... D8/8  
D414,388 S \* 9/1999 Wright ..... D8/8  
D446,699 S \* 8/2001 Marshall et al. .... D8/8  
D450,226 S \* 11/2001 Martin ..... D8/8  
D456,675 S \* 5/2002 Jong ..... D8/8

\* cited by examiner

*Primary Examiner*—Holly Baynham

(74) *Attorney, Agent, or Firm*—Madson & Austin

(57) **CLAIM**

The ornamental design for a grass trimmer, as shown.

**DESCRIPTION**

FIG. 1 is a perspective view of the grass trimmer showing my new design.

FIG. 2 is a front view thereof.

FIG. 3 is a rear view thereof.

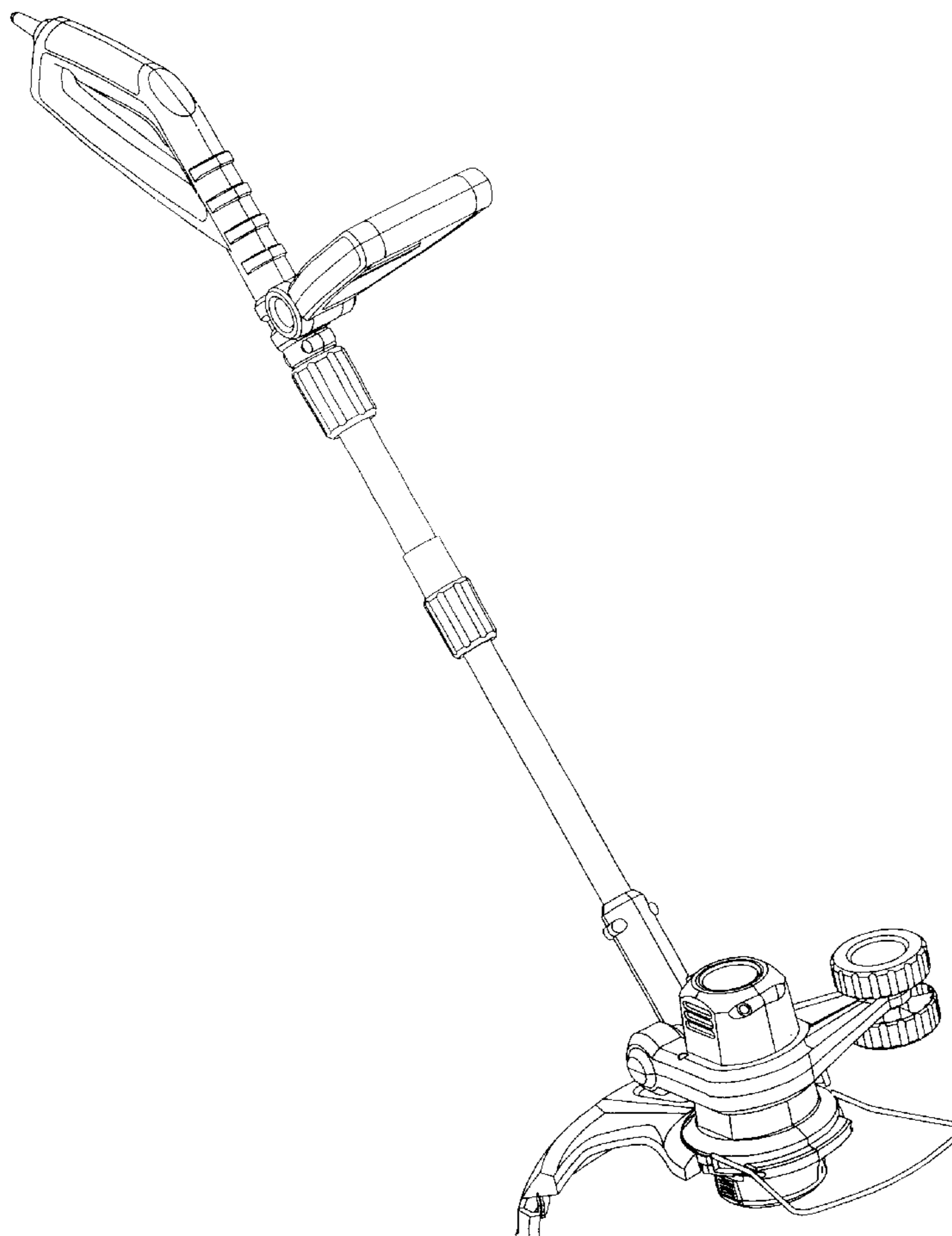
FIG. 4 is a right side view thereof.

FIG. 5 is a left side view thereof.

FIG. 6 is a bottom view thereof; and,

FIG. 7 is a top view thereof.

**1 Claim, 6 Drawing Sheets**



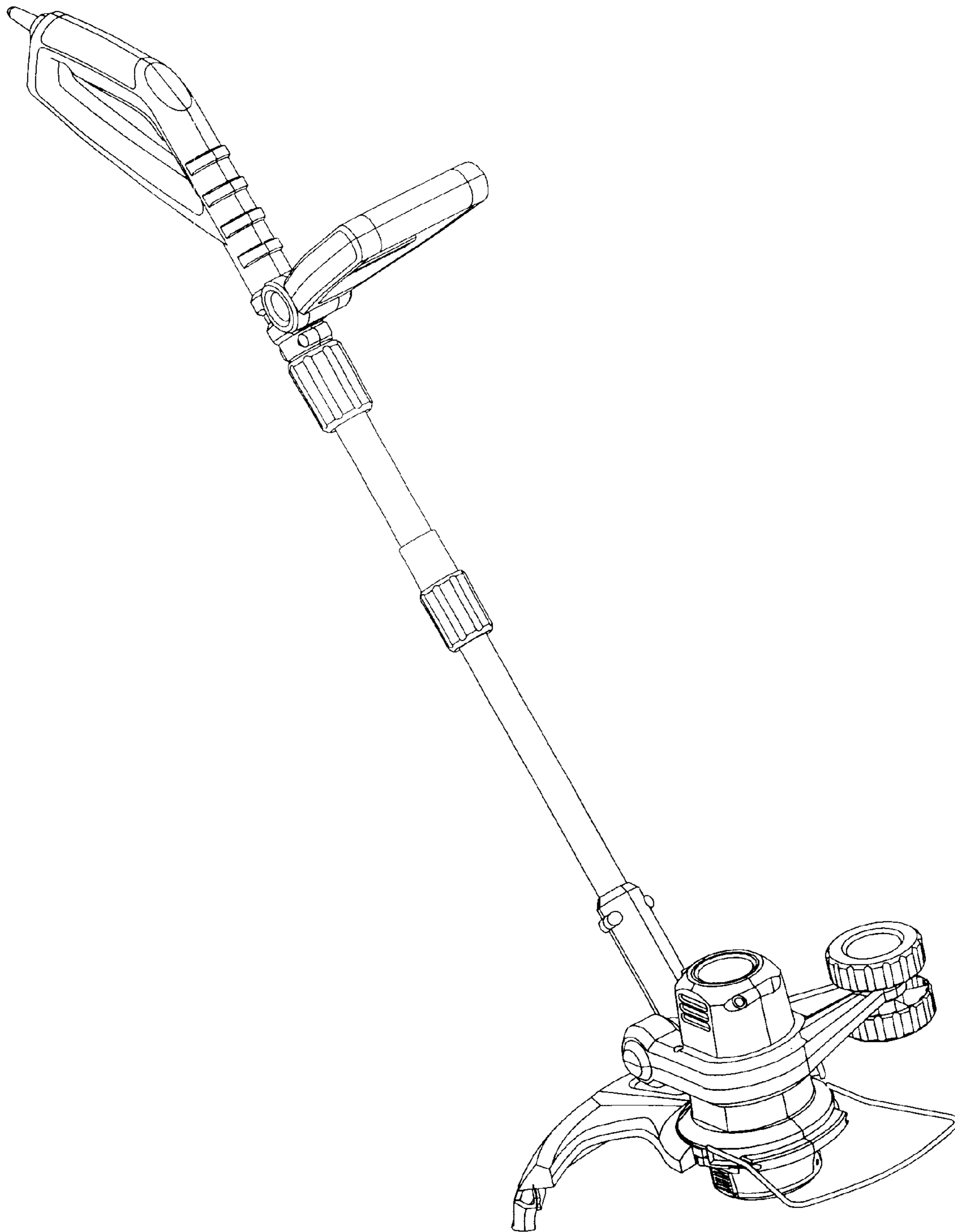


FIG. 1

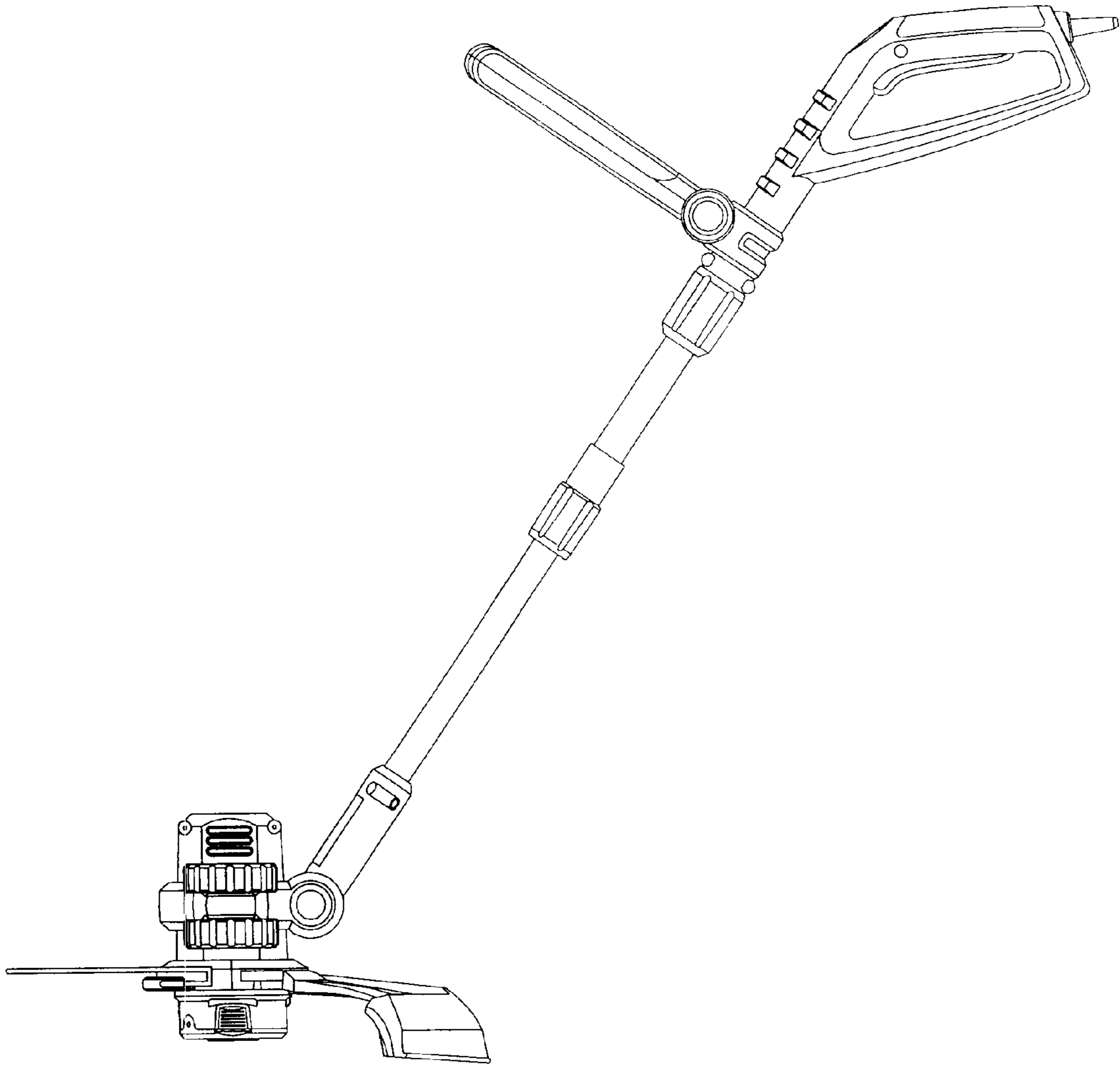


FIG. 2

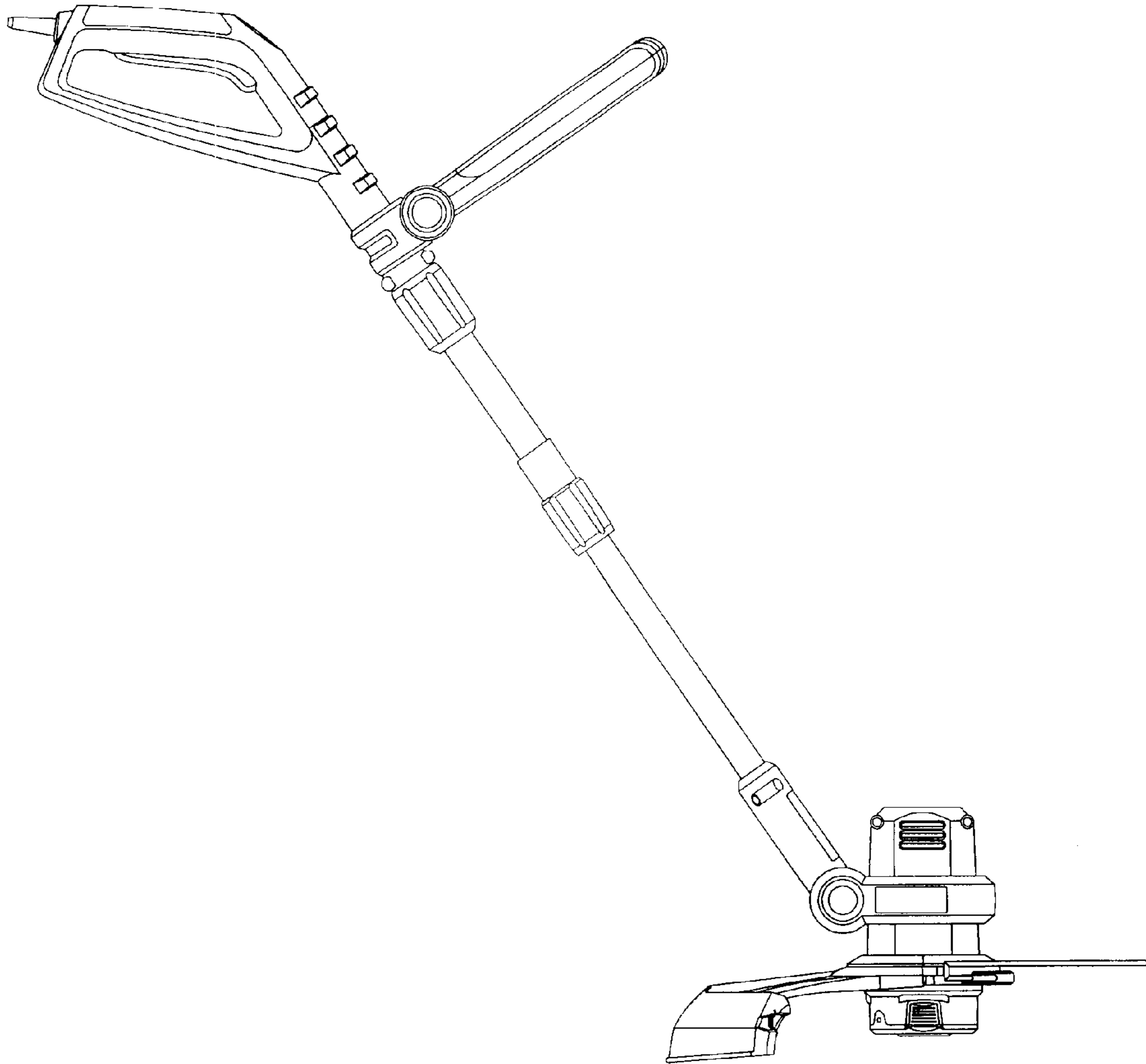


FIG. 3

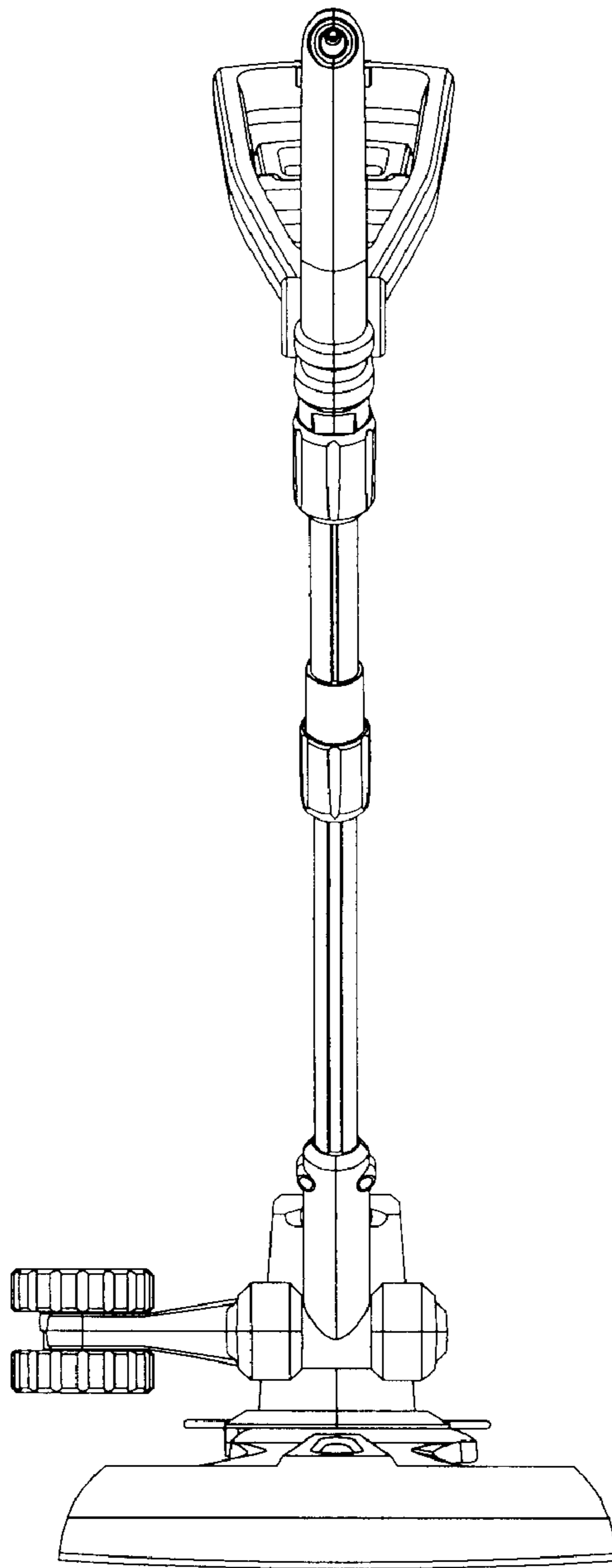


FIG. 4

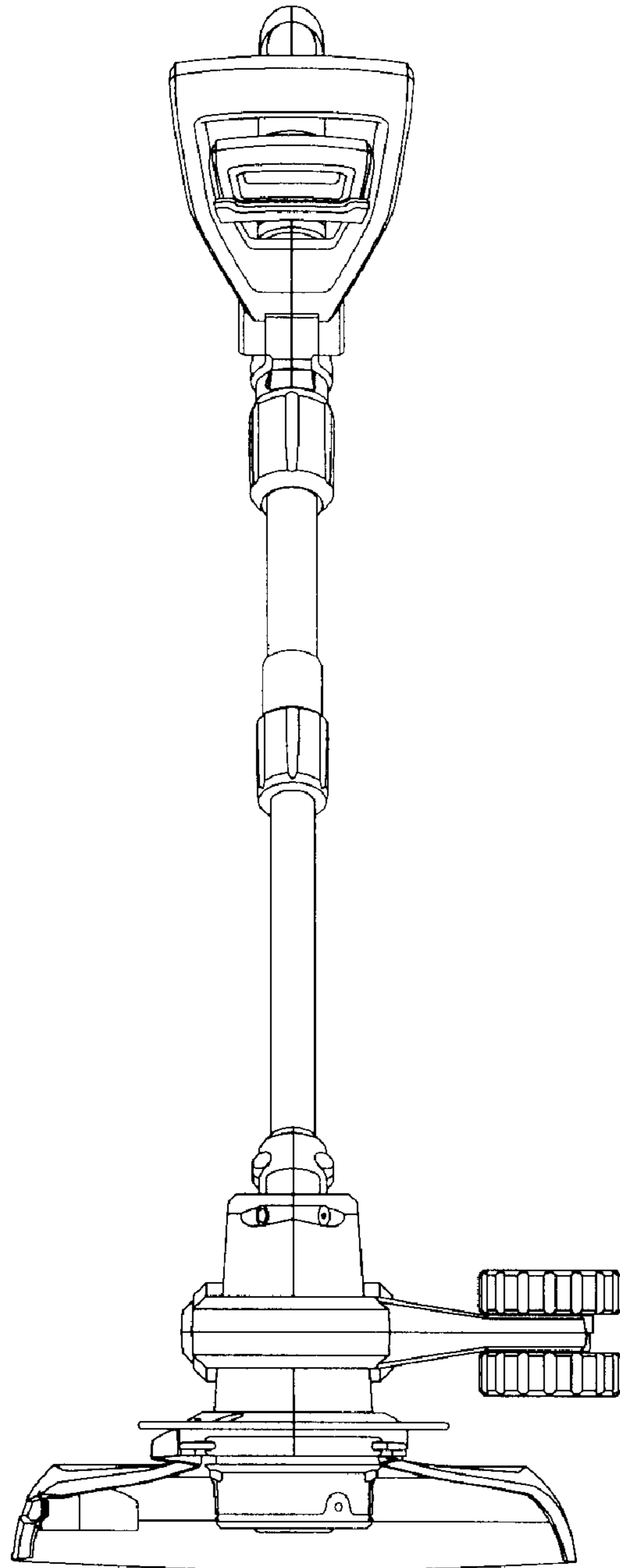


FIG. 5



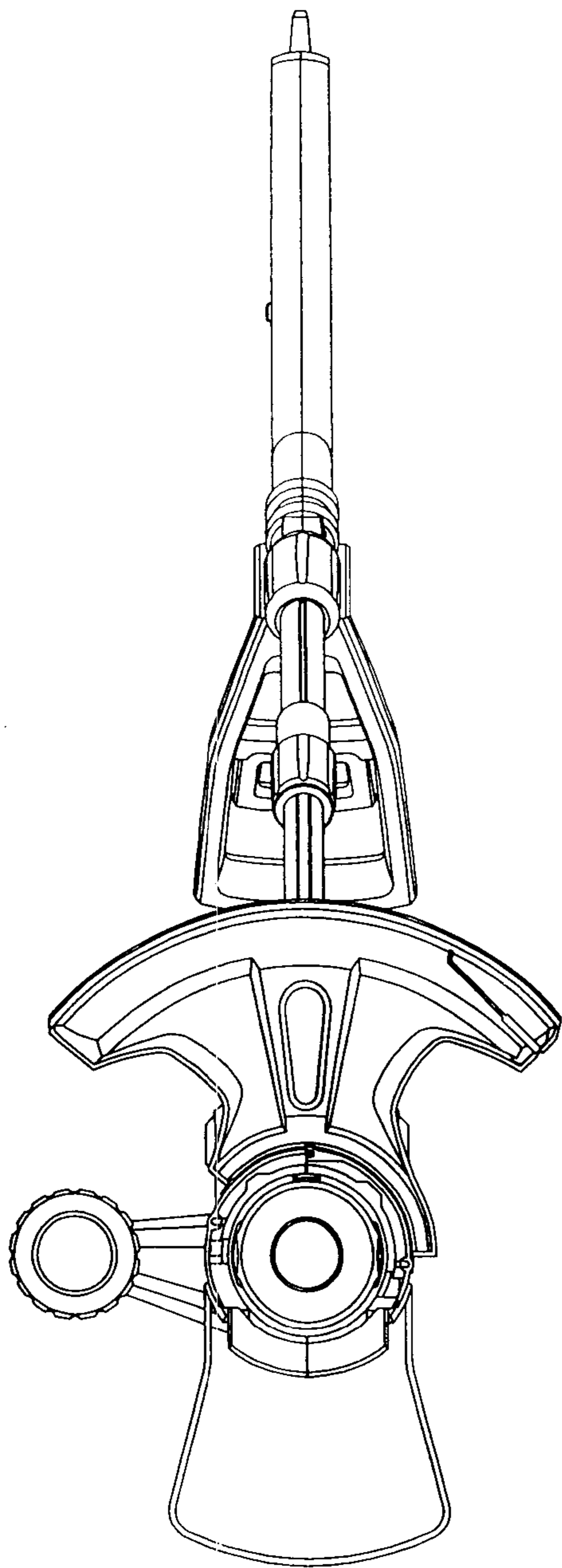


FIG. 6

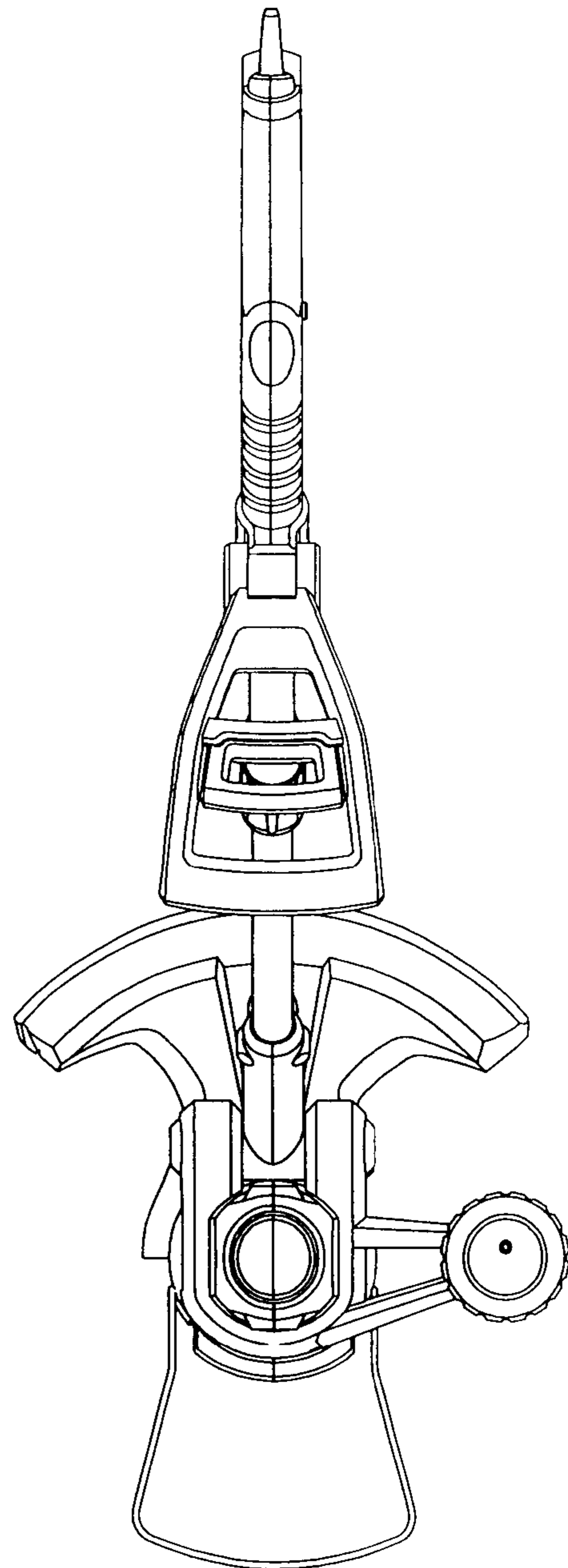


FIG. 7