



US00D530160S

(12) **United States Design Patent**
Maltese et al.

(10) **Patent No.:** **US D530,160 S**

(45) **Date of Patent:** **** Oct. 17, 2006**

(54) **COMBINED CONTAINER AND
COMPARTMENTED LID HAVING
RETAINER CLIPS WITH EATING UTENSILS**

4,984,367 A 1/1991 Albanese
5,042,712 A 8/1991 DeRoseau
5,419,049 A 5/1995 MacArthur-Onslow

(76) Inventors: **Carrie Maltese**, 300 West St., Unit #3,
Mount Kisco, NY (US) 10549;
Nathaniel E. Hirshfield, 300 West St.,
Unit #3, Mount Kisco, NY (US) 10549

* cited by examiner

Primary Examiner—Terry A. Wallace
(74) *Attorney, Agent, or Firm*—Donald R. Schoonover

(**) Term: **14 Years**

(57) **CLAIM**

(21) Appl. No.: **29/232,118**

We claim the ornamental design for a combined container and compartmented lid having retainer clips with eating utensils, as shown and described.

(22) Filed: **Jun. 16, 2005**

DESCRIPTION

(51) **LOC (8) Cl.** **07-01**

(52) **U.S. Cl.** **D7/629**

(58) **Field of Classification Search** D7/629,
D7/709, 710, 538–542, 642, 643, 653; 220/574,
220/574.1, 735; 229/401; 206/216–223, 541–546
See application file for complete search history.

FIG. 1 is a perspective view of a combined container and compartmented lid having retainer clips with eating utensils showing our new design;
FIG. 2 is a top plan view thereof;
FIG. 3 is a bottom plan view thereof;
FIG. 4 is a side elevational view thereof, the elevational view of the opposing side being identical thereto;
FIG. 5 is an end elevational view thereof, the elevational view of the opposing end being identical thereto; and,
FIG. 6 is a perspective view of our invention in use showing the lid opened and an eating utensil removed from its retainer clip; the broken lines depict environmental structure for illustrative purposes only and form no part of the claimed design.

(56) **References Cited**

U.S. PATENT DOCUMENTS

1,514,379 A * 11/1924 Fleischer 206/229
3,679,093 A * 7/1972 Chang 220/574
3,955,742 A 5/1976 Marshall et al.
4,036,398 A 7/1977 Hoogvelt et al.
4,068,115 A 1/1978 Mack et al.
4,893,768 A 1/1990 Hall
4,930,637 A * 6/1990 DeRoseau 206/541

1 Claim, 2 Drawing Sheets

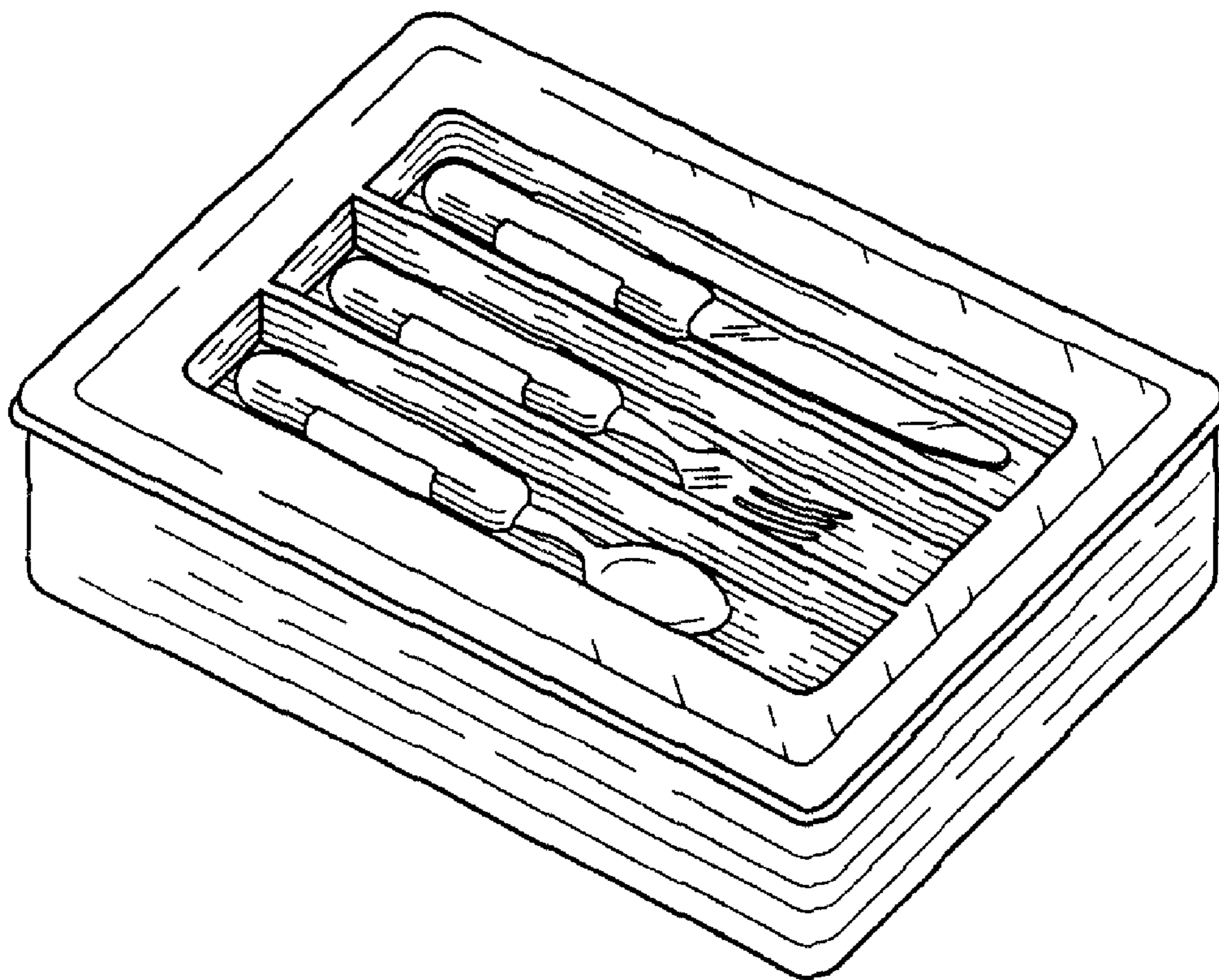


Fig. 1

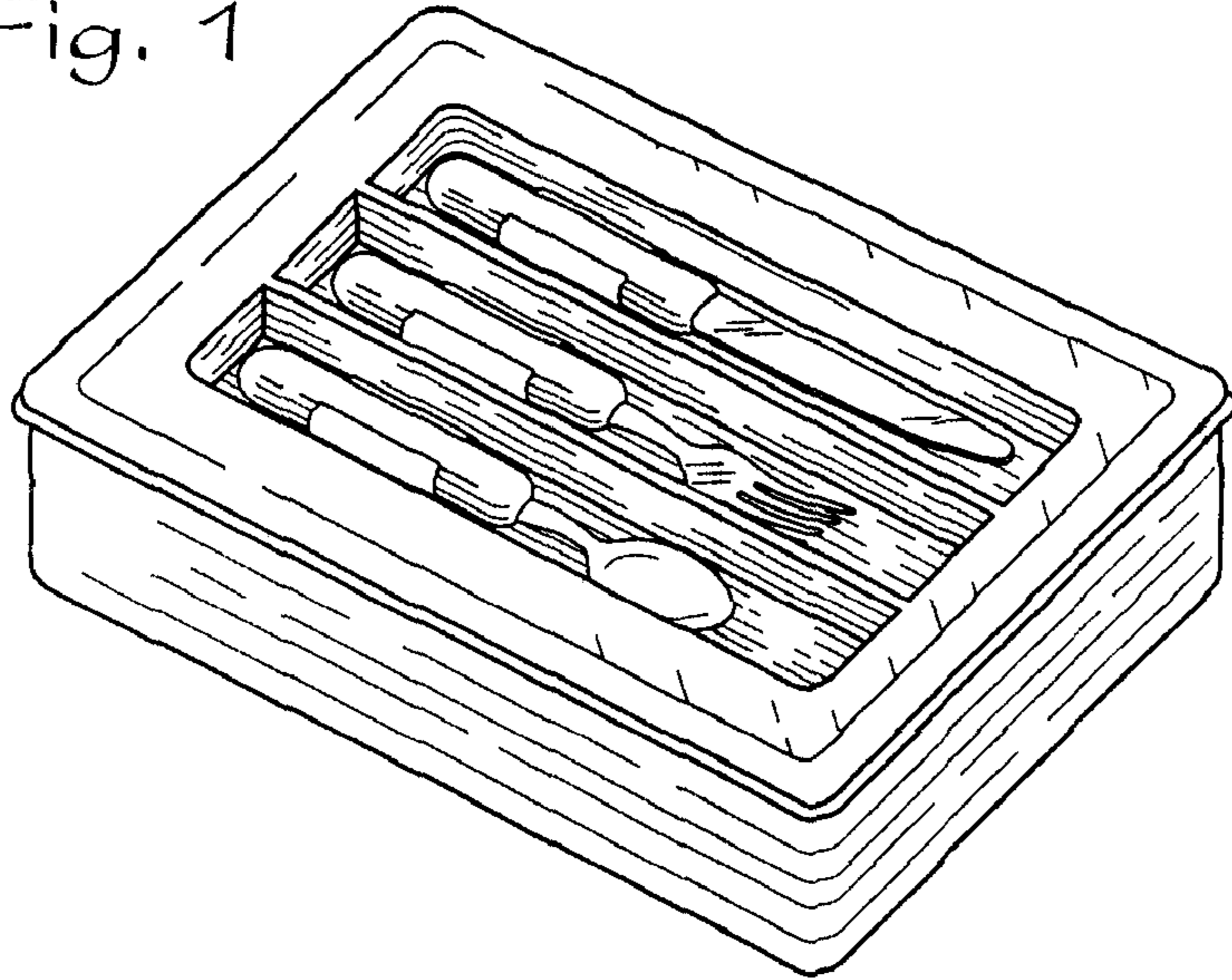


Fig. 2

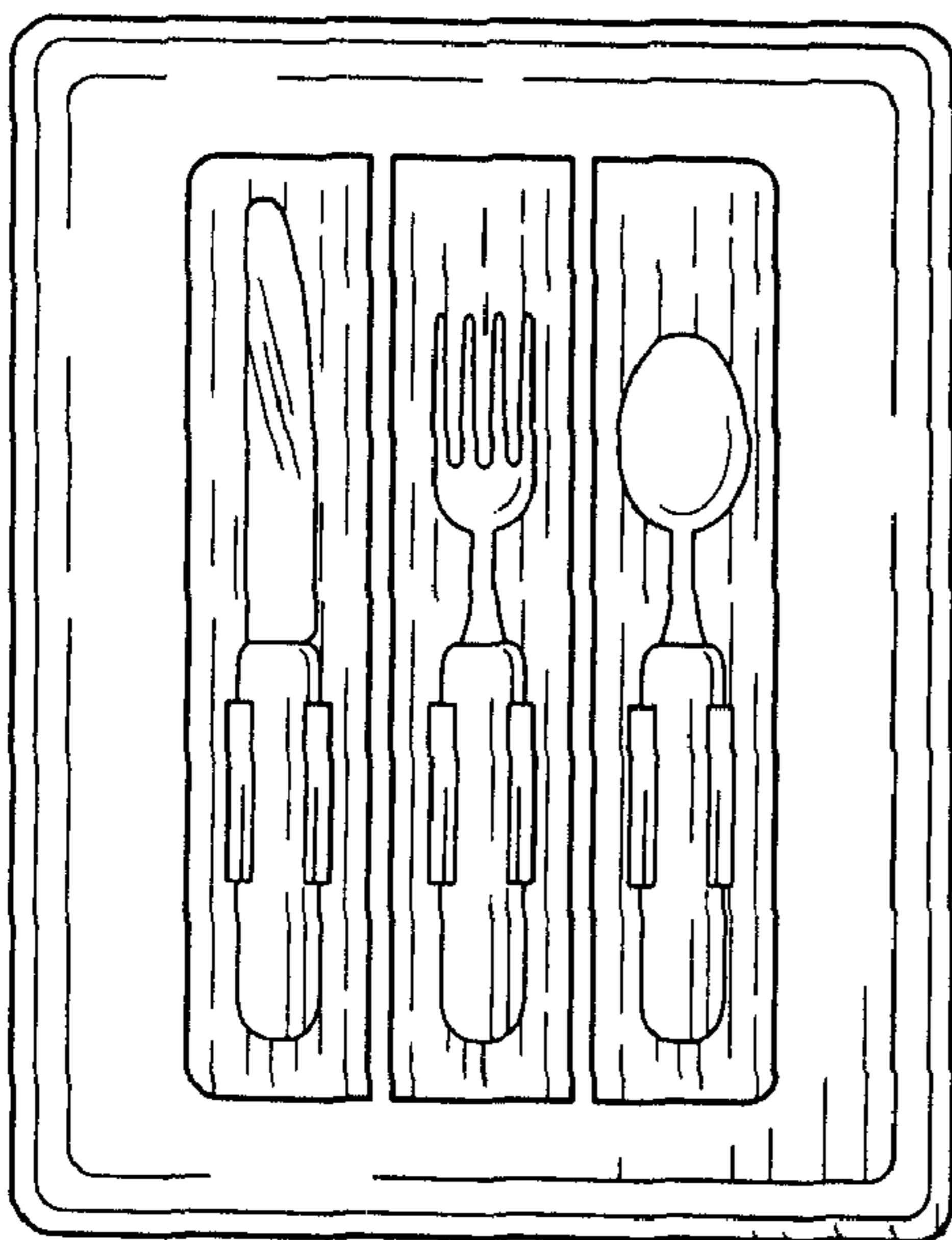


Fig. 3

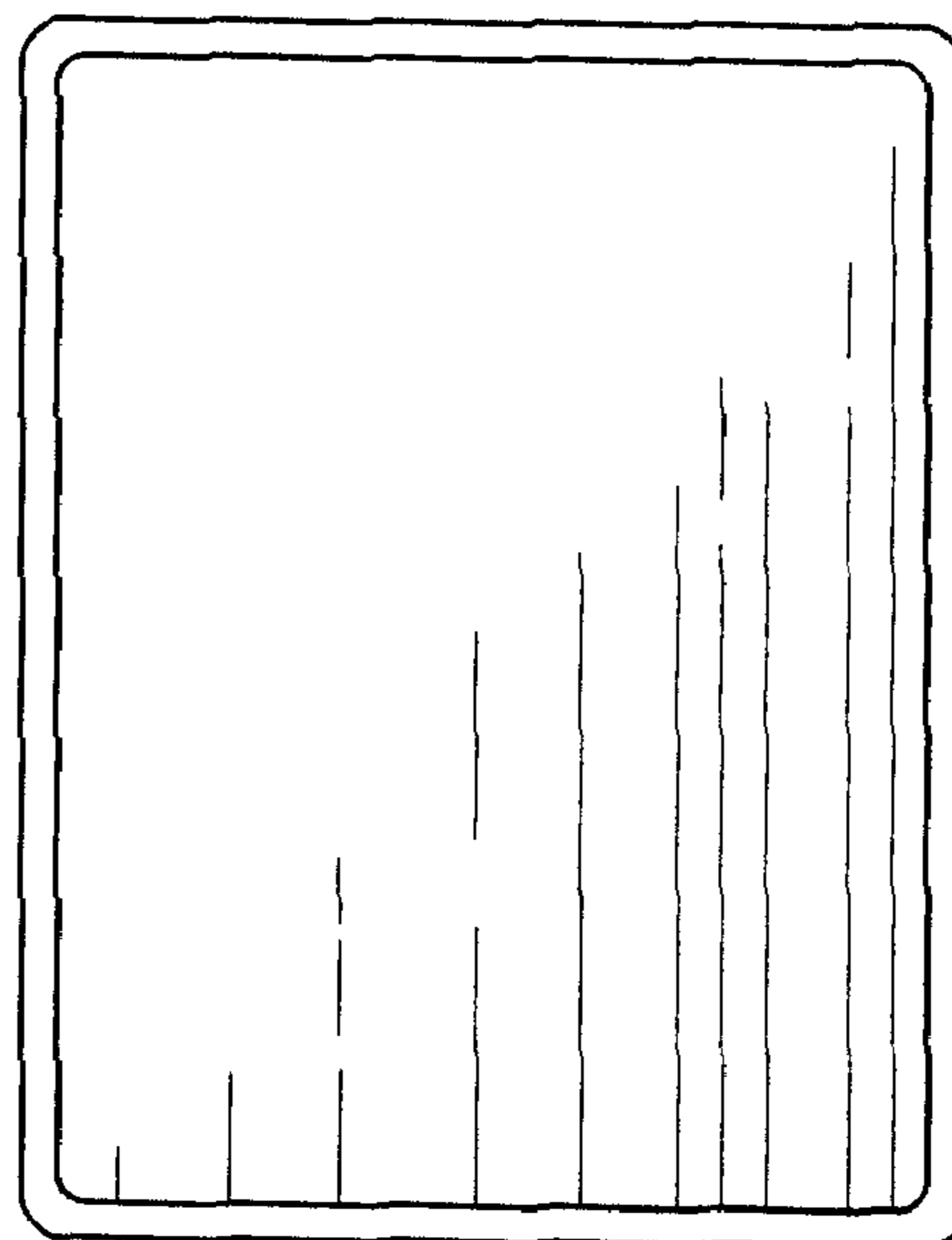


Fig. 4

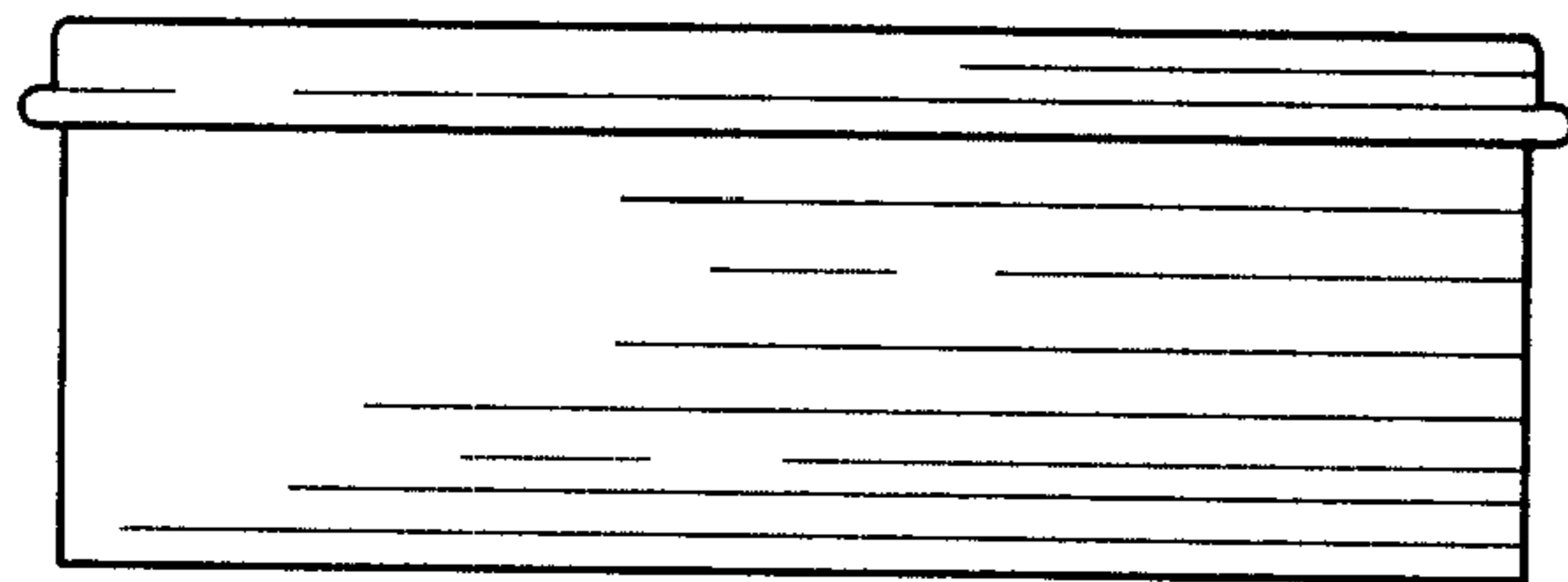


Fig. 5

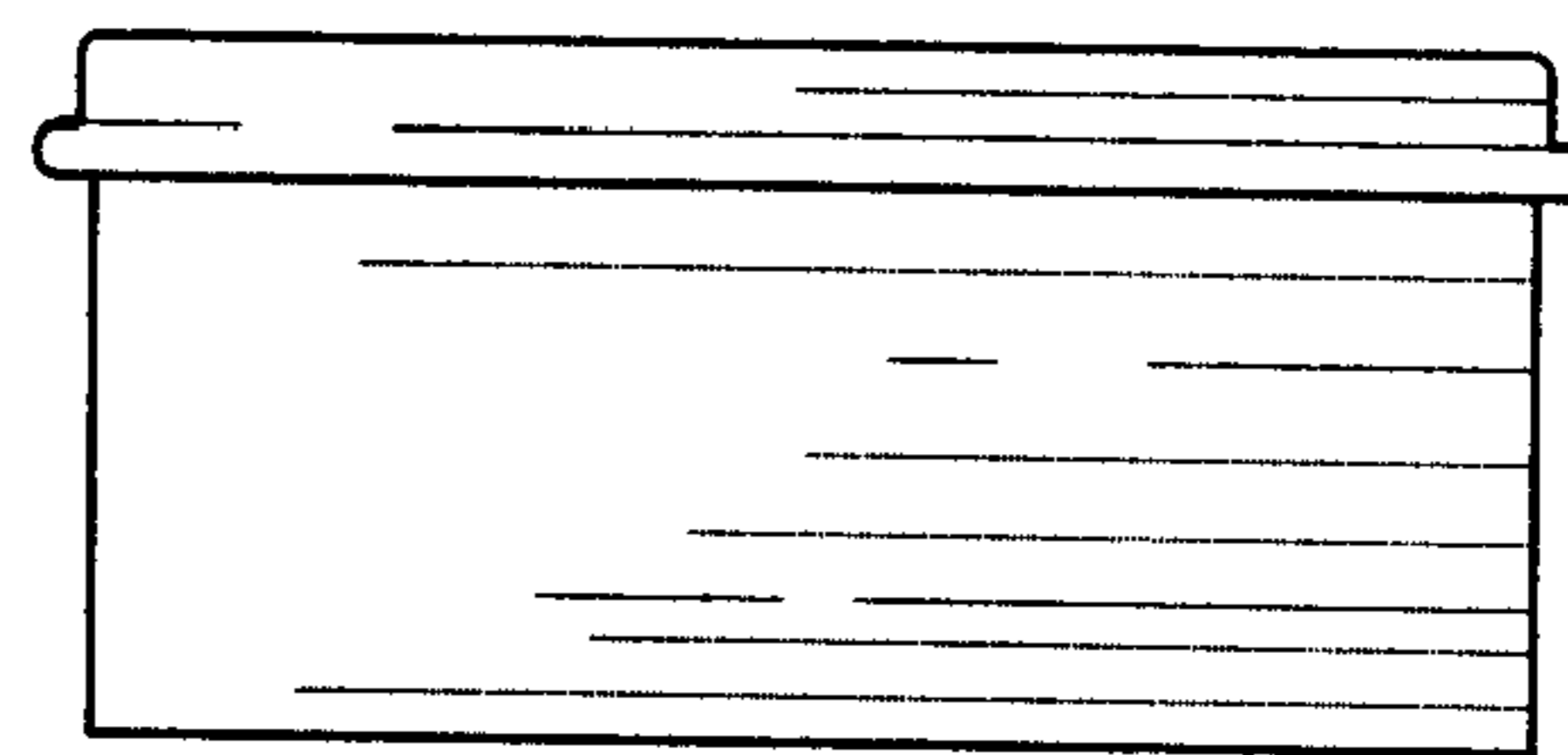


Fig. 6

