

US00D530155S

(12) **United States Design Patent**  
**Chang**

(10) **Patent No.:** **US D530,155 S**

(45) **Date of Patent:** **\*\* Oct. 17, 2006**

(54) **FOOD PLATE**

(76) **Inventor:** **Sun Hui Chang**, 2540 College Ave.,  
#202, Berkeley, CA (US) 94704

(\*\*) **Term:** **14 Years**

(21) **Appl. No.:** **29/201,249**

(22) **Filed:** **Mar. 10, 2004**

(51) **LOC (8) Cl.** ..... **07-01**

(52) **U.S. Cl.** ..... **D7/554.3; D7/619**

(58) **Field of Classification Search** ..... D7/550.1,  
D7/552.1, 553.1-553.6, 553.8, 554.2, 555;  
D9/457, 756; 206/557, 562, 563, 564, 784,  
206/814; 220/557, 562, 563, 564, 815  
See application file for complete search history.

(56) **References Cited**

**U.S. PATENT DOCUMENTS**

- 2,642,731 A \* 6/1953 Valenti ..... 220/574
- D268,010 S \* 2/1983 O'Brien ..... D9/457
- D353,077 S \* 12/1994 Hollstrom et al. .... D7/553.5
- D366,817 S \* 2/1996 Sampson ..... D7/553.1

\* cited by examiner

*Primary Examiner*—Charles A. Rademaker

(74) *Attorney, Agent, or Firm*—H. Michael Brucker

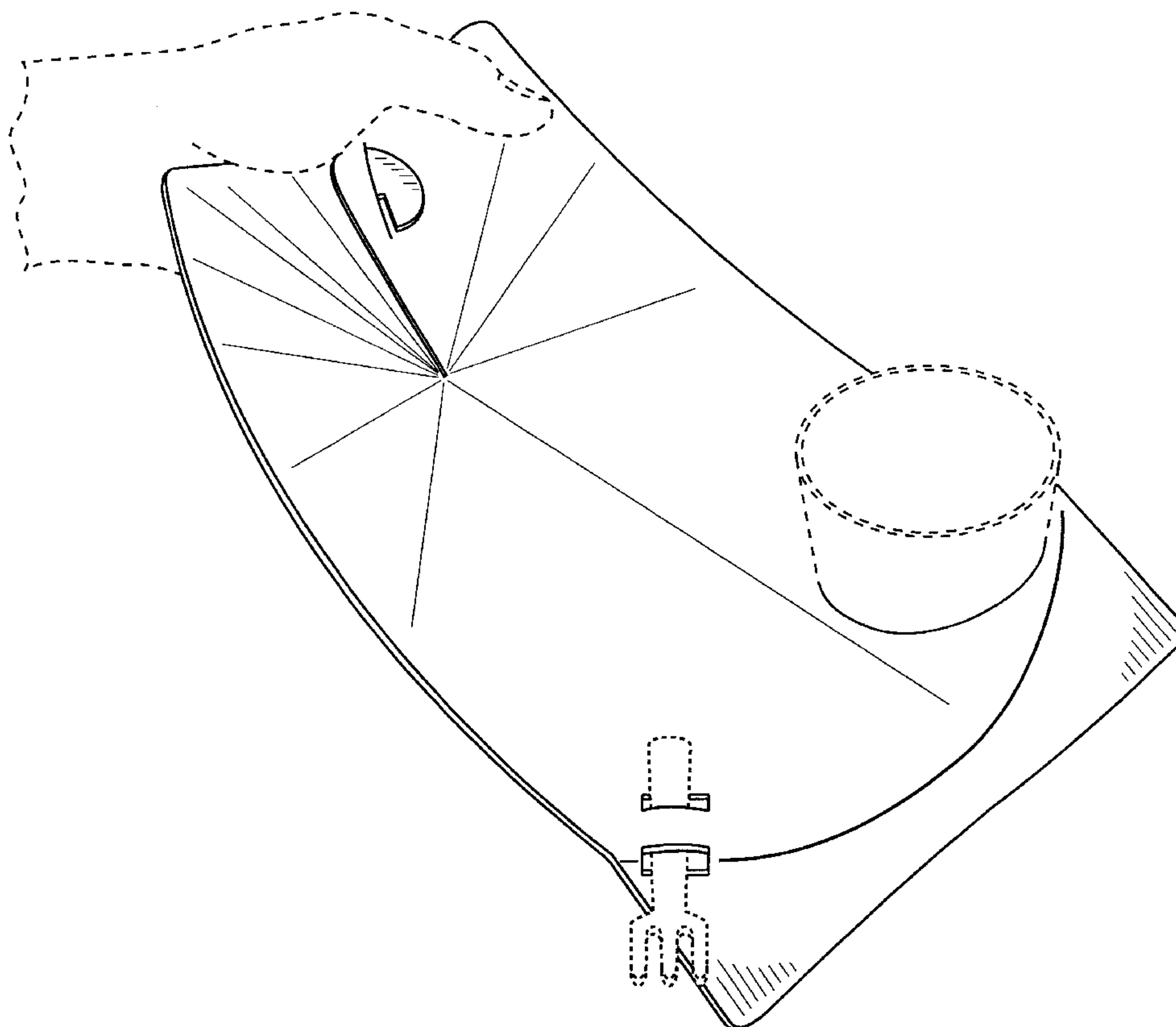
(57) **CLAIM**

The ornamental design for a food plate, as shown and described.

**DESCRIPTION**

FIG. 1 is a top, front and left perspective view of a food plate showing my new design the broken lines are a representation of environment only and form no part what is claimed; FIG. 2 is another top, front and left perspective view thereof; FIG. 3 is another top perspective view thereof in an alternate position; FIG. 4 is a top plan view thereof; FIG. 5 is a right side elevation thereof; FIG. 6 is a bottom plan view thereof; FIG. 7 is a left side elevation thereof; FIG. 8 is a front elevation thereof; FIG. 9 is a rear elevation thereof; FIG. 10 is a top, front and left perspective view of the design shown in FIGS. 1 through 9 in a flat or unfolded condition; FIG. 11 is a bottom plan view thereof, the side opposite being a mirror image; FIG. 12 is a side elevation thereof, the side opposite being identical; FIG. 13 is a front elevation thereof; and, FIG. 14 is a rear elevation thereof.

**1 Claim, 7 Drawing Sheets**



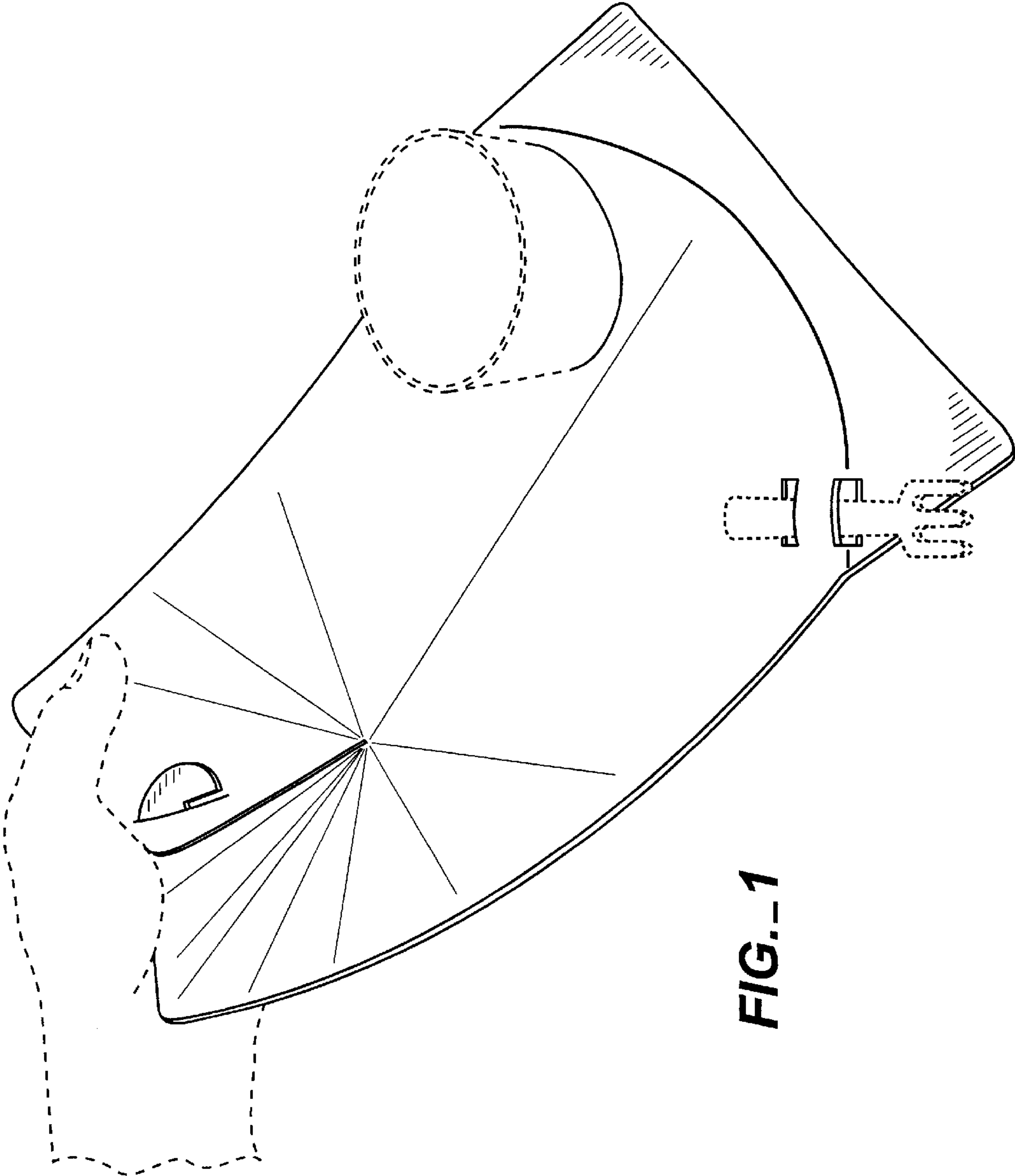
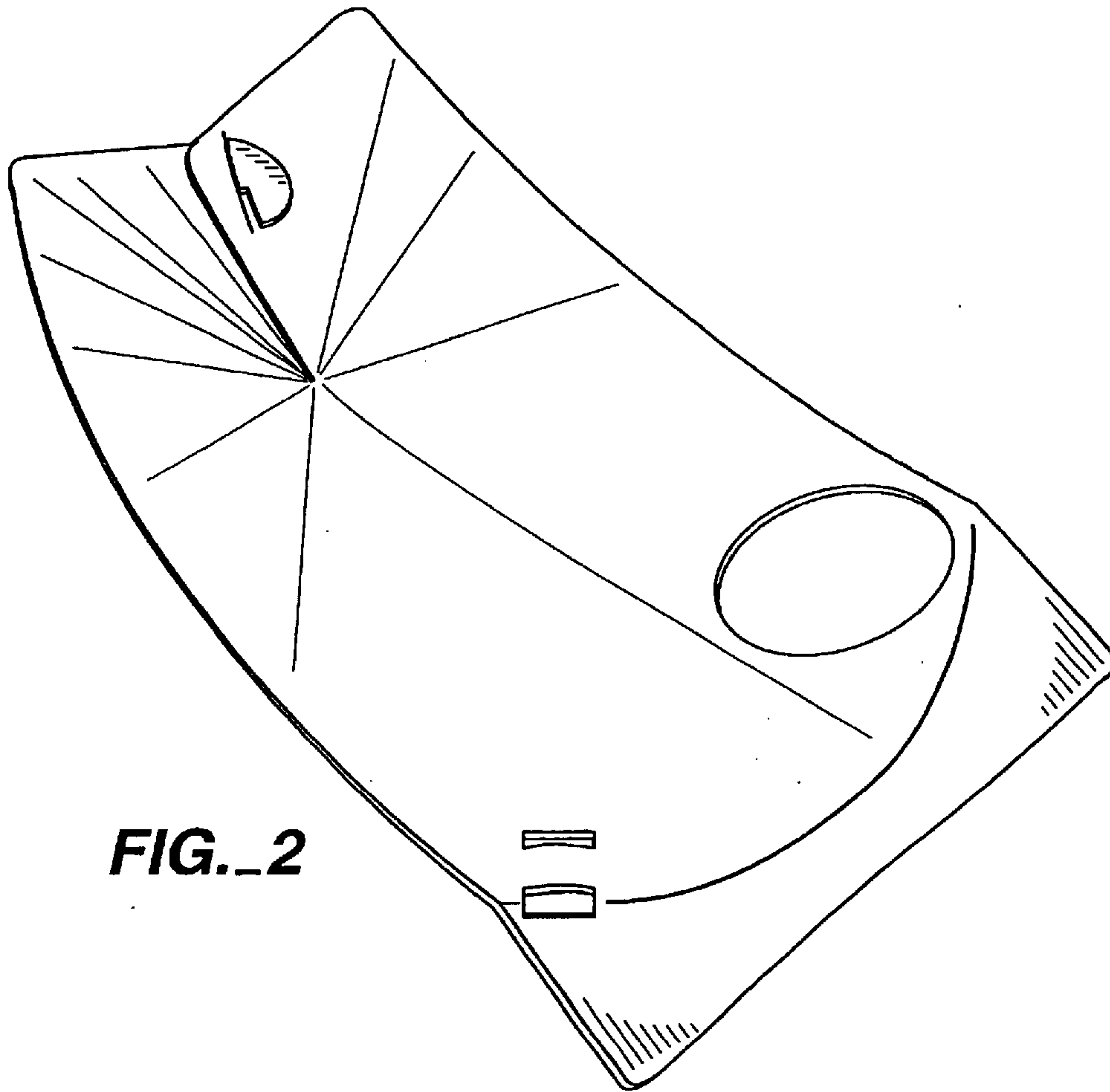
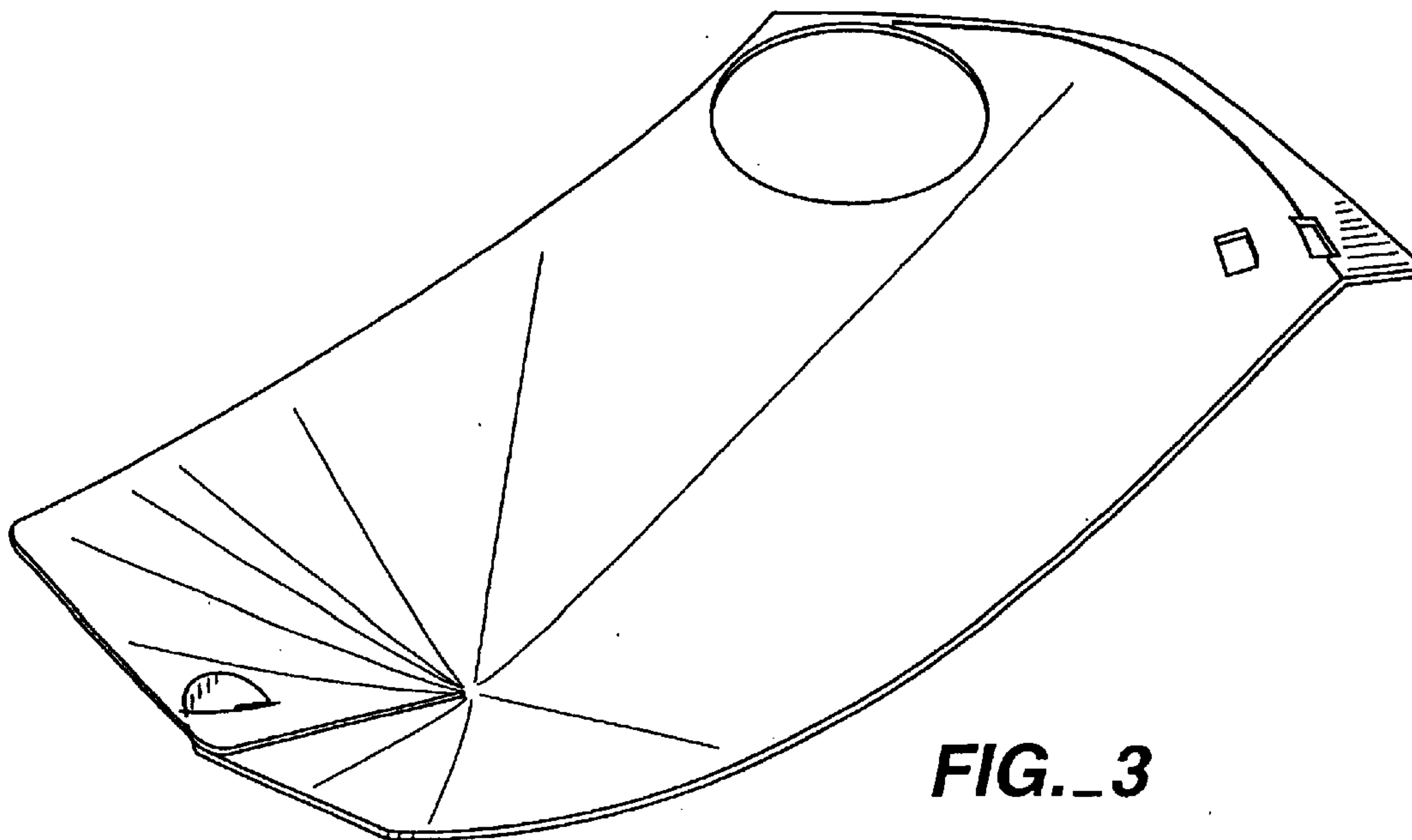


FIG.-1



**FIG. 2**



**FIG. 3**

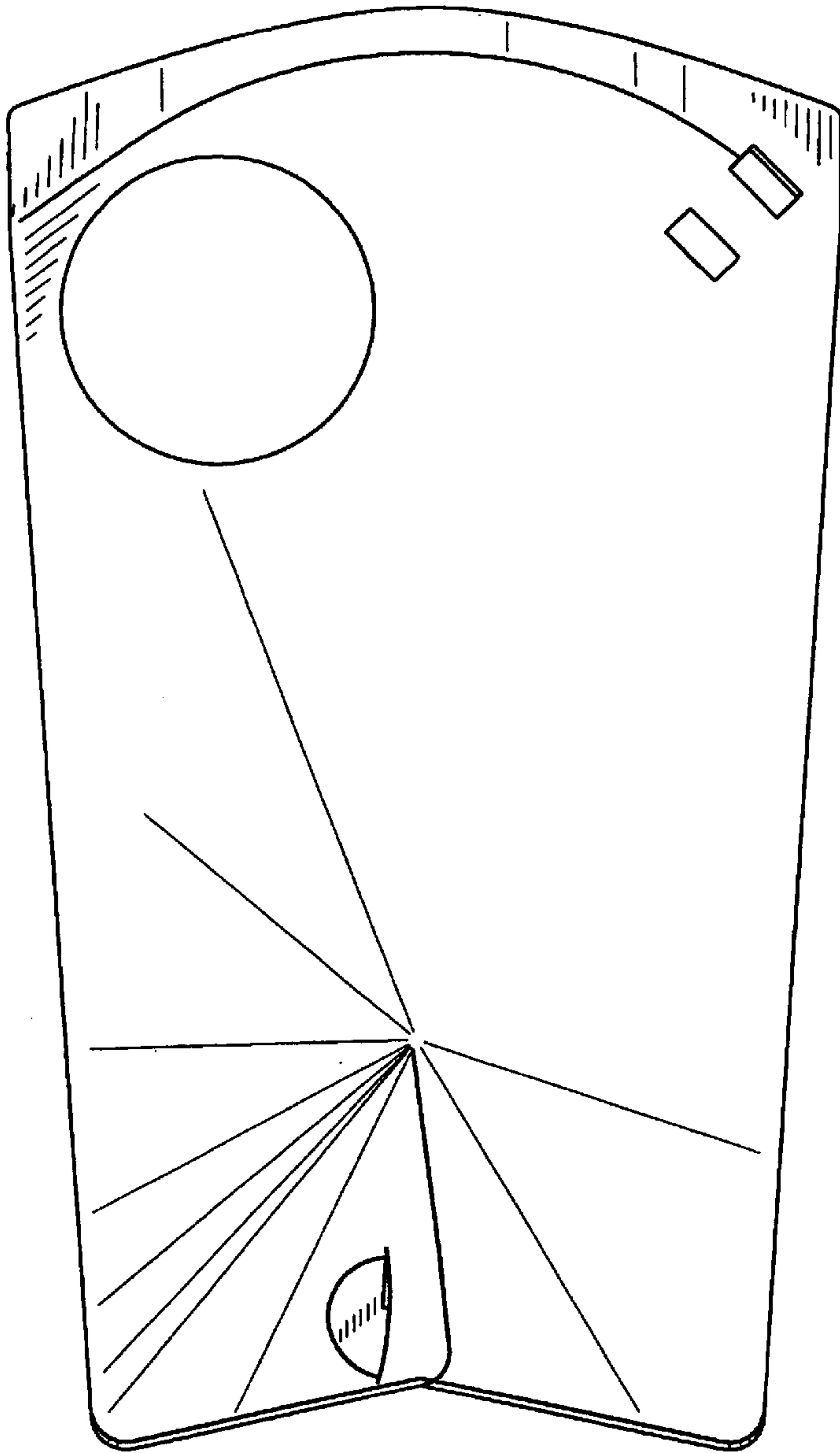


FIG.--4



FIG.--5

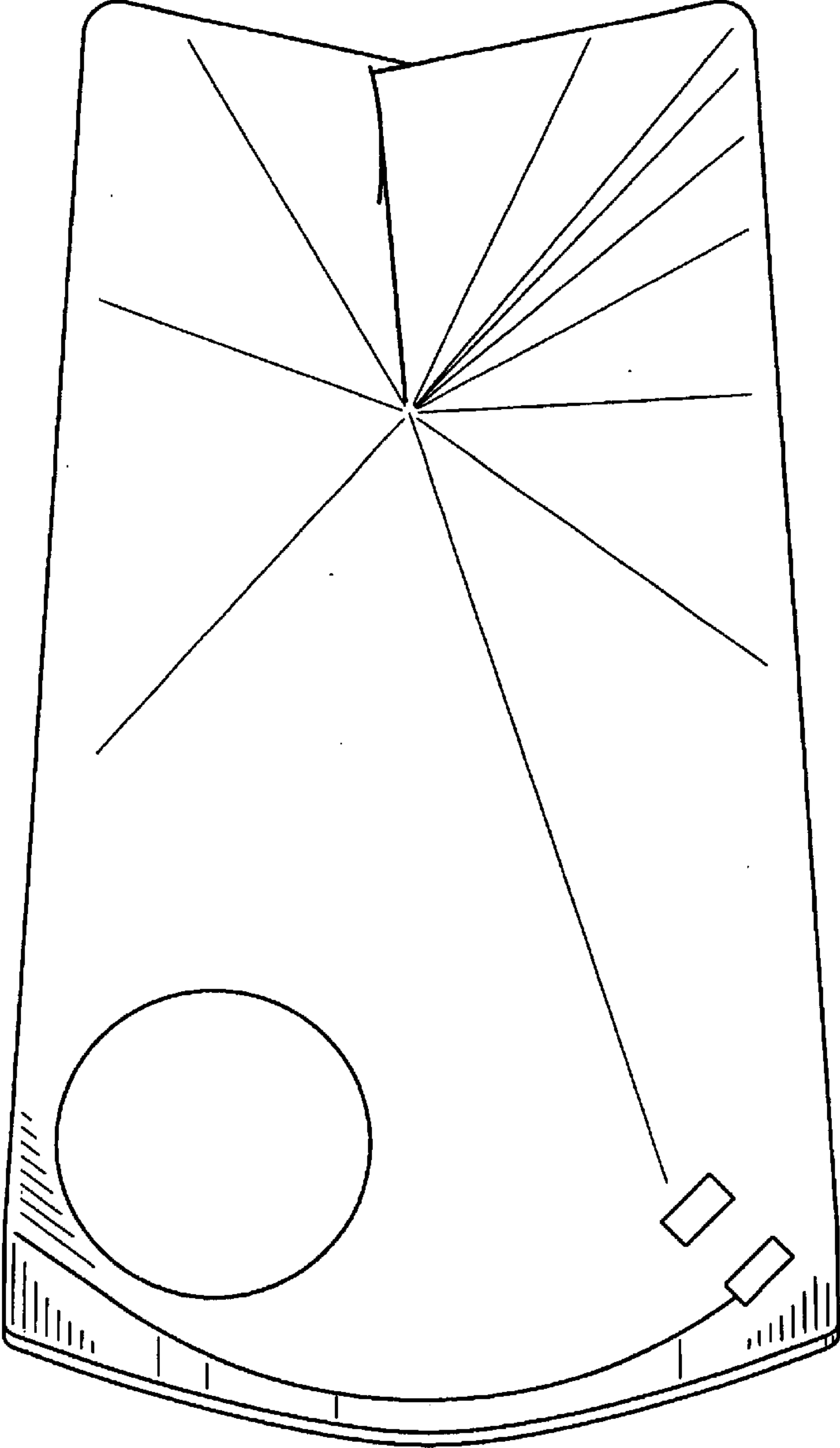


FIG. 6

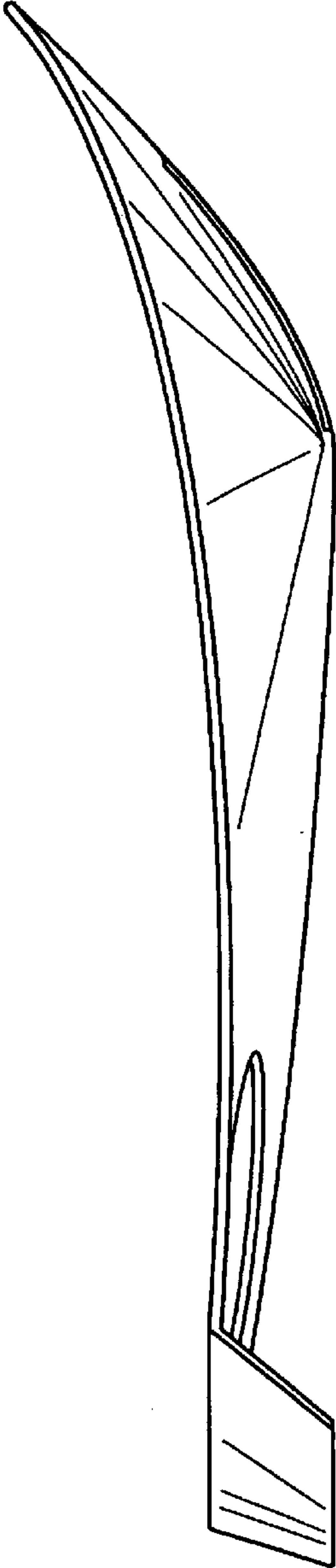
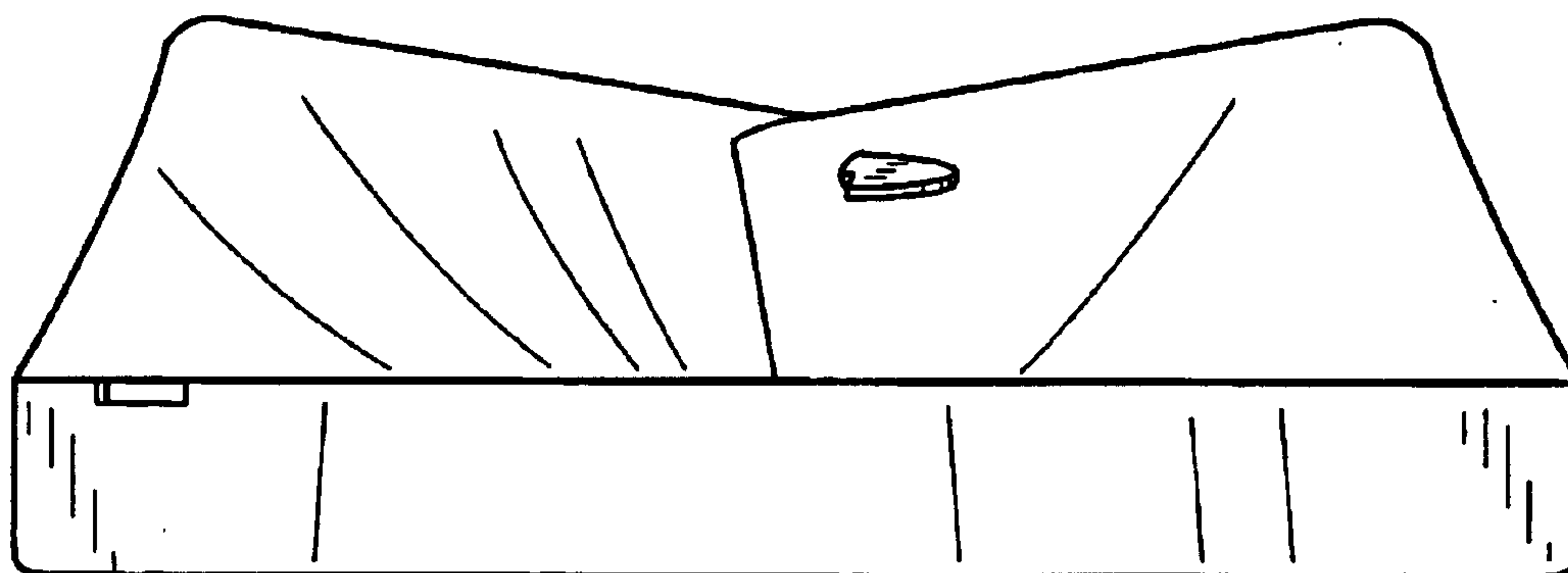
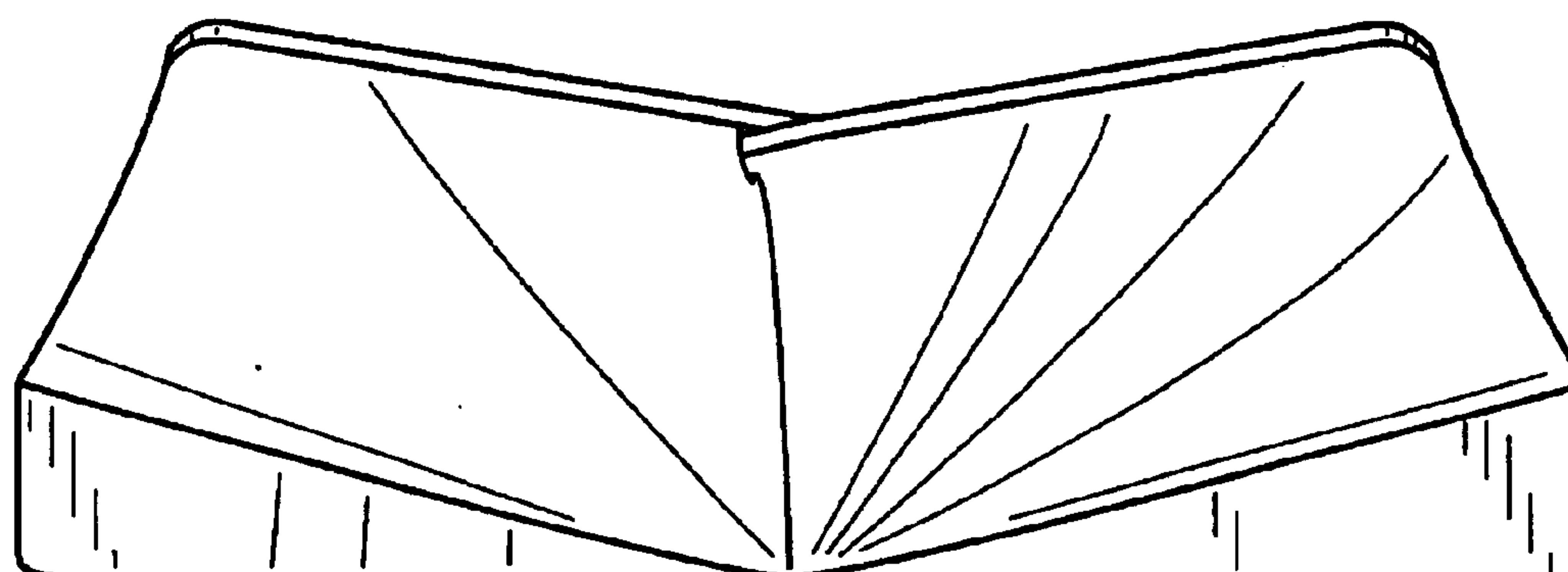


FIG. 7

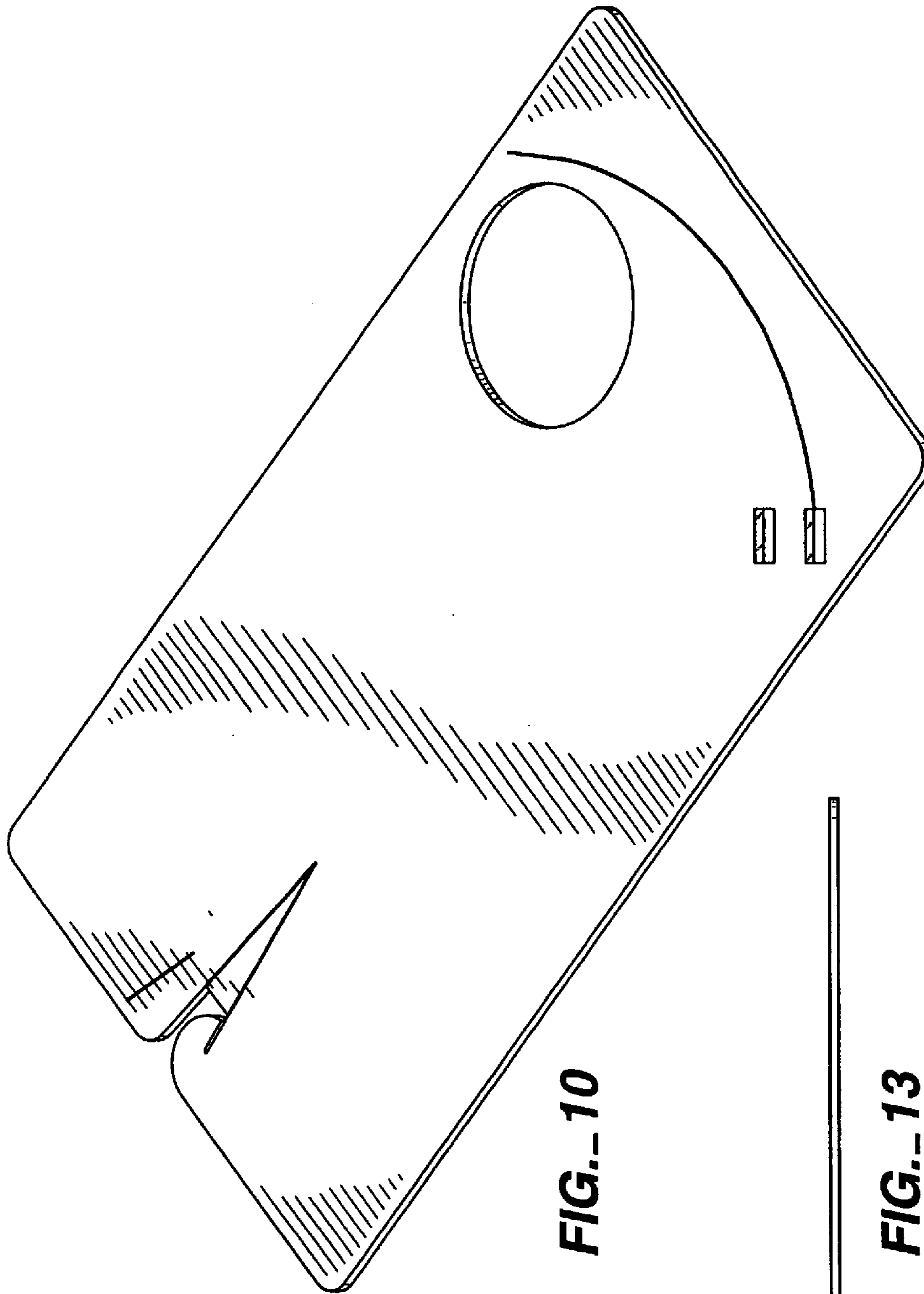


**FIG. 8**



**FIG. 9**





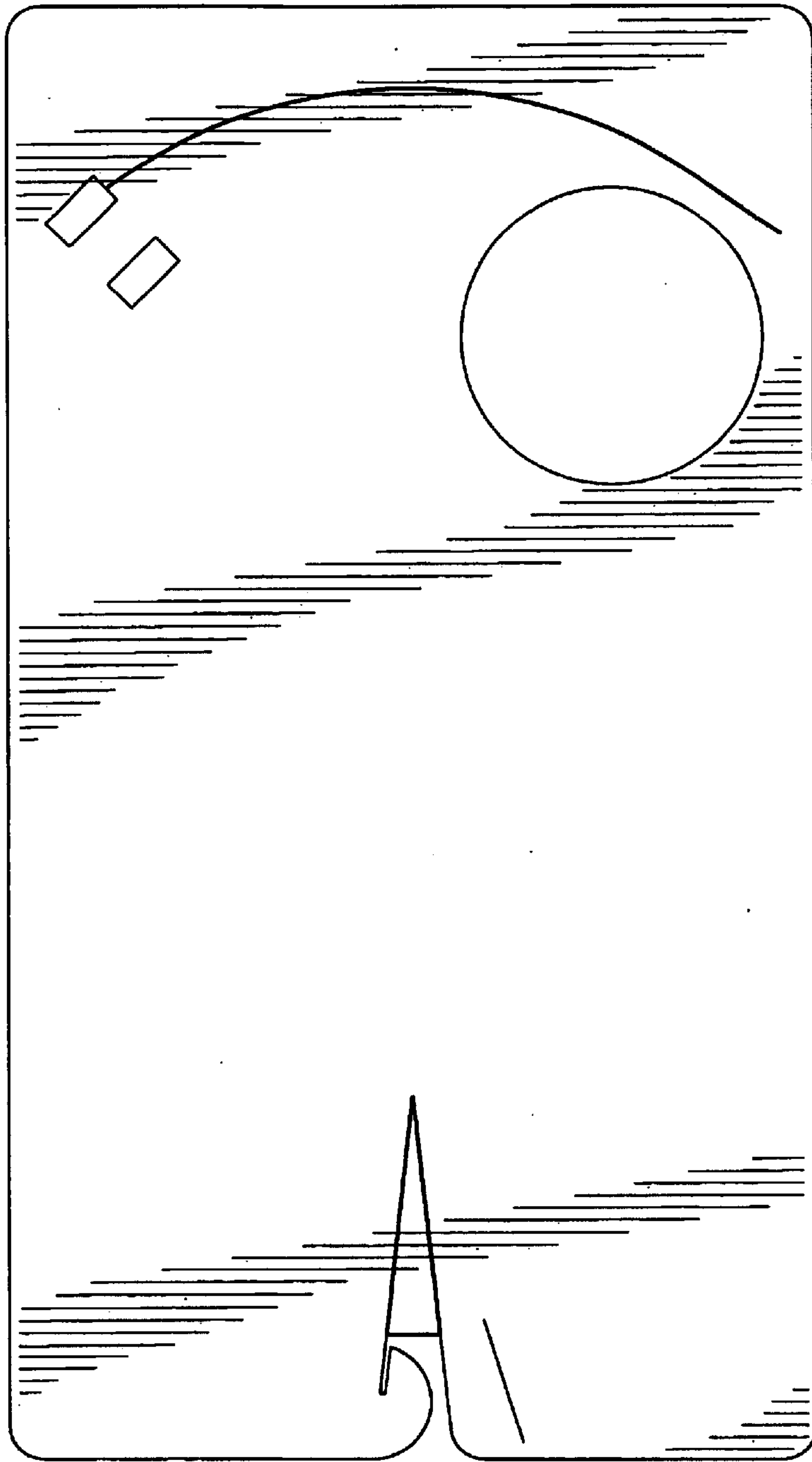
**FIG. 10**



**FIG. 13**



**FIG. 14**



**FIG. 11**



**FIG. 12**