



US00D530152S

(12) **United States Design Patent**
Pryor

(10) **Patent No.:** **US D530,152 S**

(45) **Date of Patent:** **** Oct. 17, 2006**

(54) **UPPER OVEN DOOR AND A LOWER MINI OVEN DOOR HAVING A WINDOW**

D429,954 S	*	8/2000	Orzel et al.	D7/405
D470,720 S	*	2/2003	Jones et al.	D7/405
D477,177 S	*	7/2003	Jeong	D7/340
D491,411 S	*	6/2004	De Mello	D7/340
D495,919 S	*	9/2004	De Mello	D7/340

(75) Inventor: **James Edward Pryor**, Clarksville, TN (US)

* cited by examiner

(73) Assignee: **Electrolux Home Products, Inc.**, Cleveland, OH (US)

Primary Examiner—Robert A. Delehanty

Assistant Examiner—Mark Cavanna

(**) Term: **14 Years**

(74) *Attorney, Agent, or Firm*—Pearne & Gordon LLP

(21) Appl. No.: **29/256,603**

(57) **CLAIM**

(22) Filed: **Mar. 22, 2006**

The ornamental design for a upper oven door and a lower mini oven door having a window, as shown and described.

Related U.S. Application Data

DESCRIPTION

(62) Division of application No. 29/227,723, filed on Apr. 14, 2005, now Pat. No. Des. 525,830.

FIG. 1 is a front perspective view of an upper oven door and a lower mini oven door having a window therein;

(51) **LOC (8) Cl.** **07-02**

FIG. 2 is a front view thereof;

(52) **U.S. Cl.** **D7/405**

FIG. 3 is a left side view thereof;

(58) **Field of Classification Search** D7/339–341,

FIG. 4 is a right side view thereof;

D7/346–349, 402, 405, 406; 126/21 A, 39 B,

FIG. 5 is a top view thereof; and,

126/39 R; 219/391–392, 400, 449–450

FIG. 6 is a bottom view thereof.

See application file for complete search history.

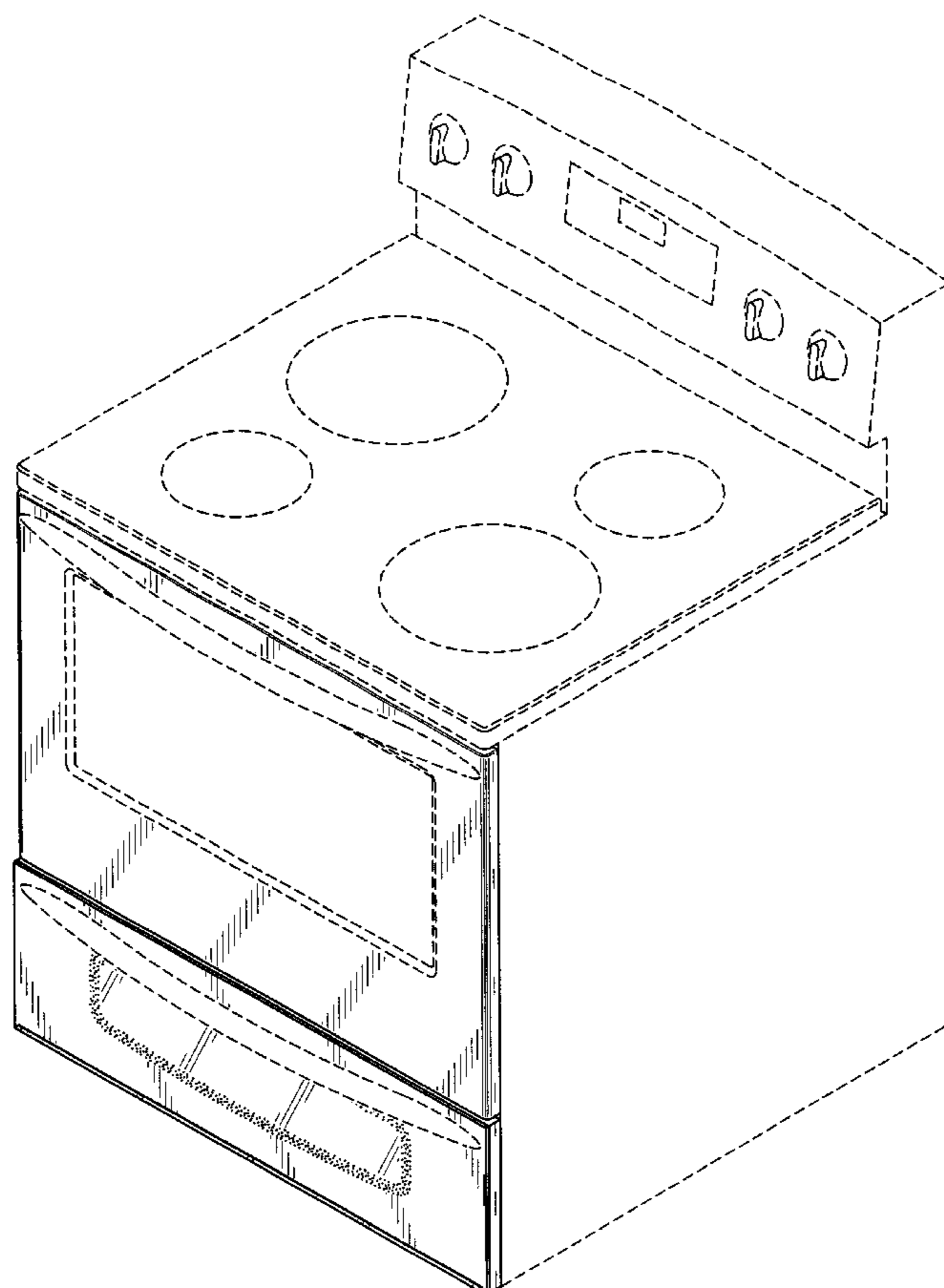
The stippling on the lower mini oven door is a transition from a painted glass surface to a transparent window.

(56) **References Cited**

U.S. PATENT DOCUMENTS

1 Claim, 6 Drawing Sheets

D375,867 S * 11/1996 Sparks D7/340



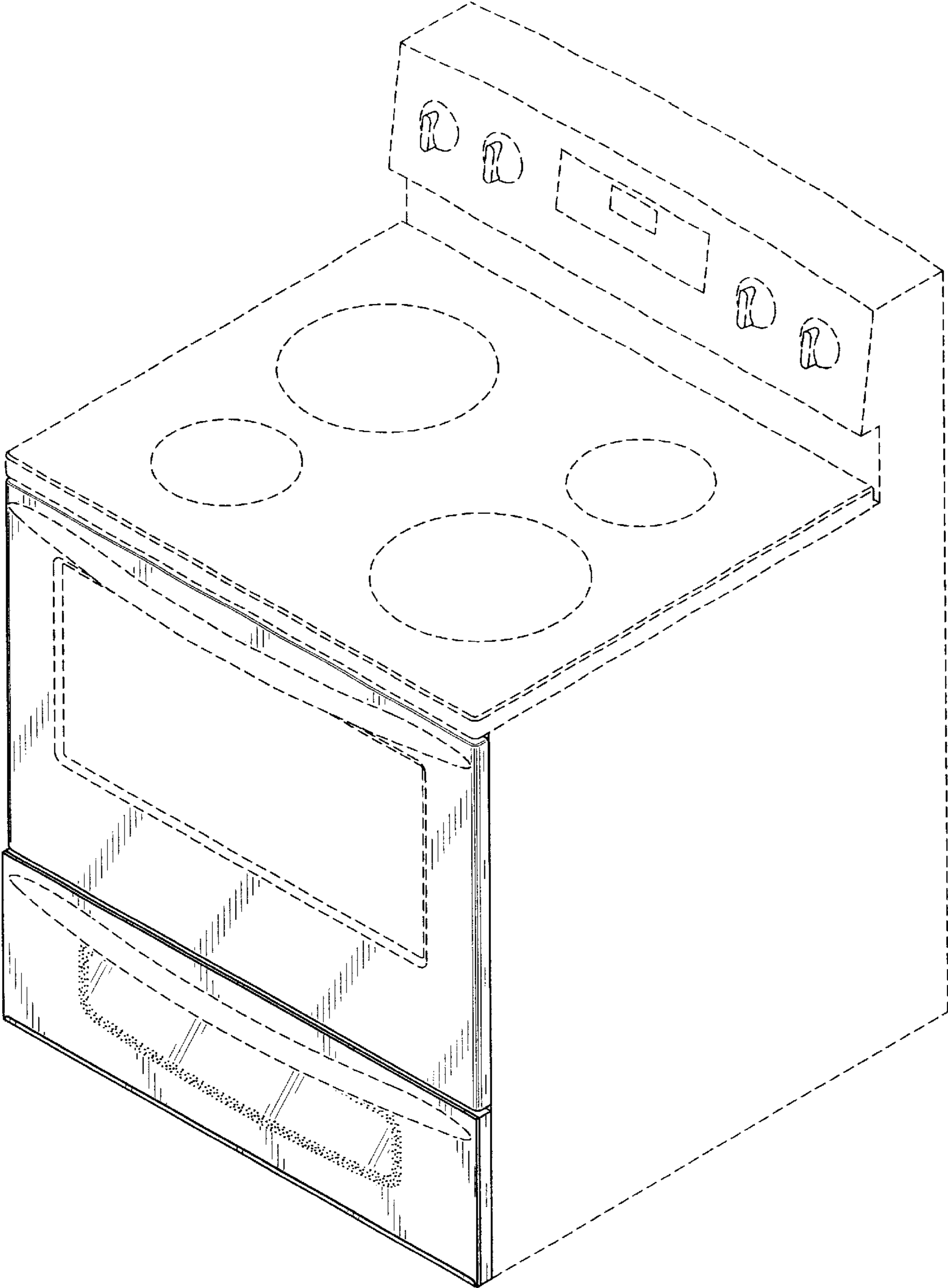


FIG. 1

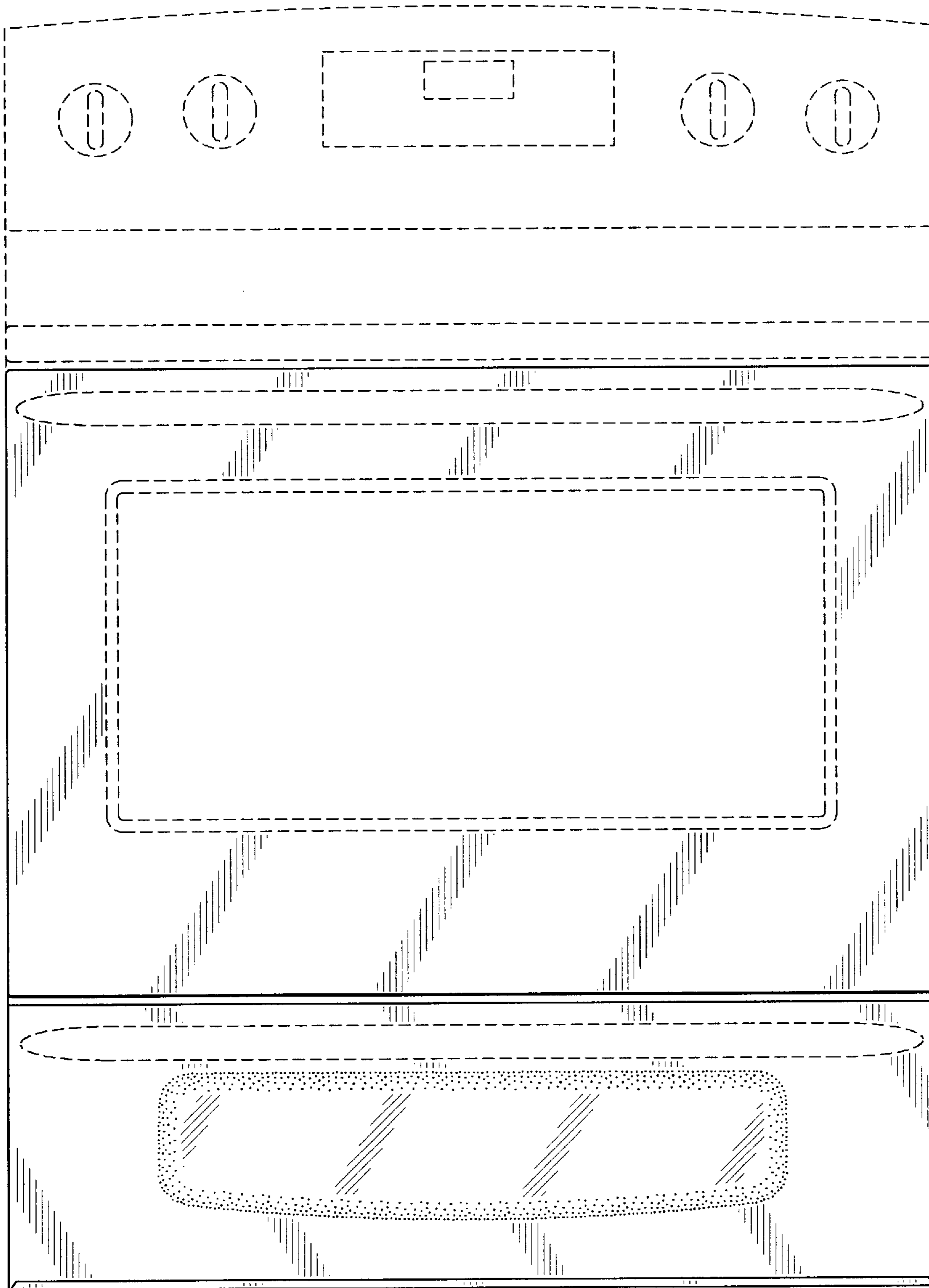


FIG. 2

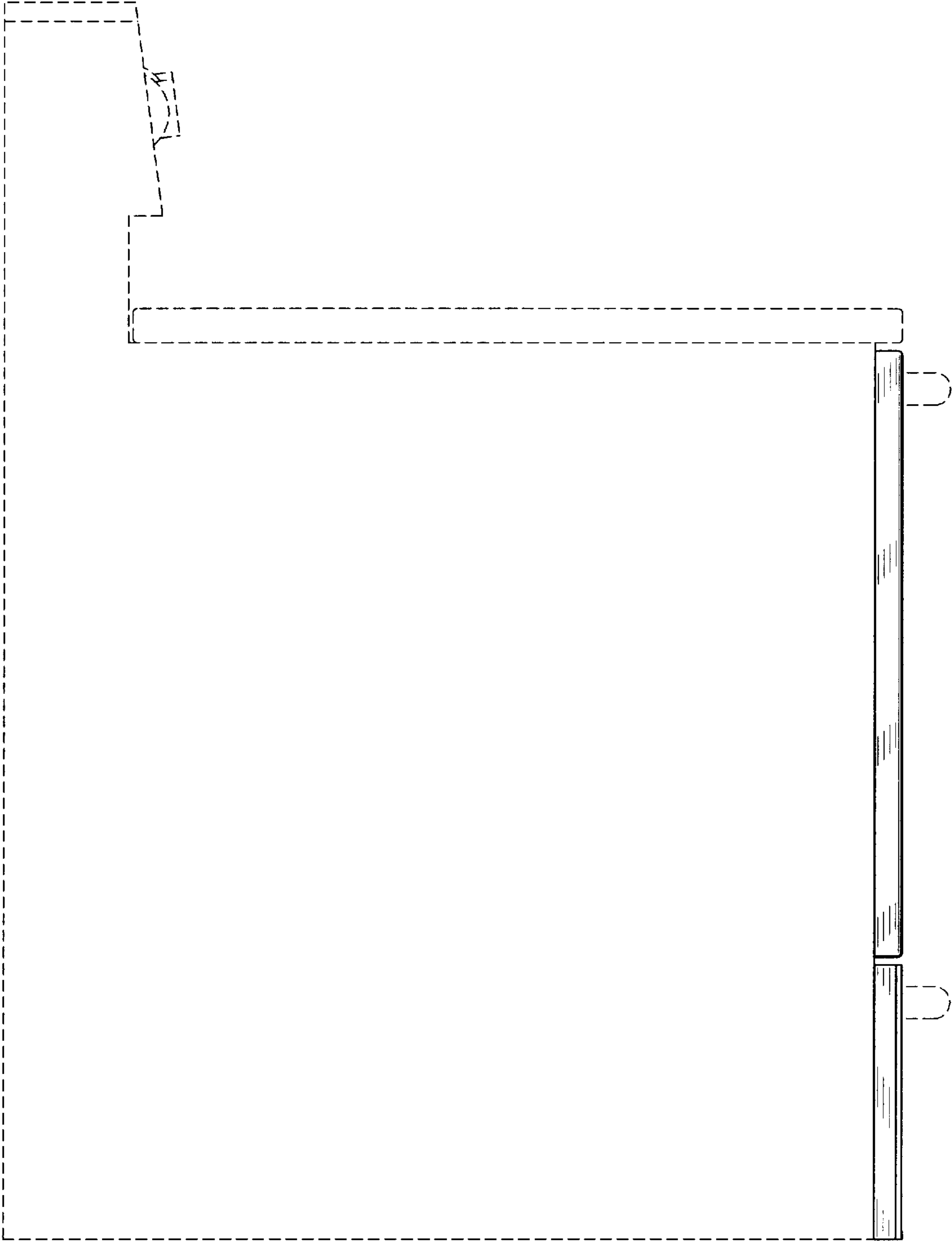


FIG. 3

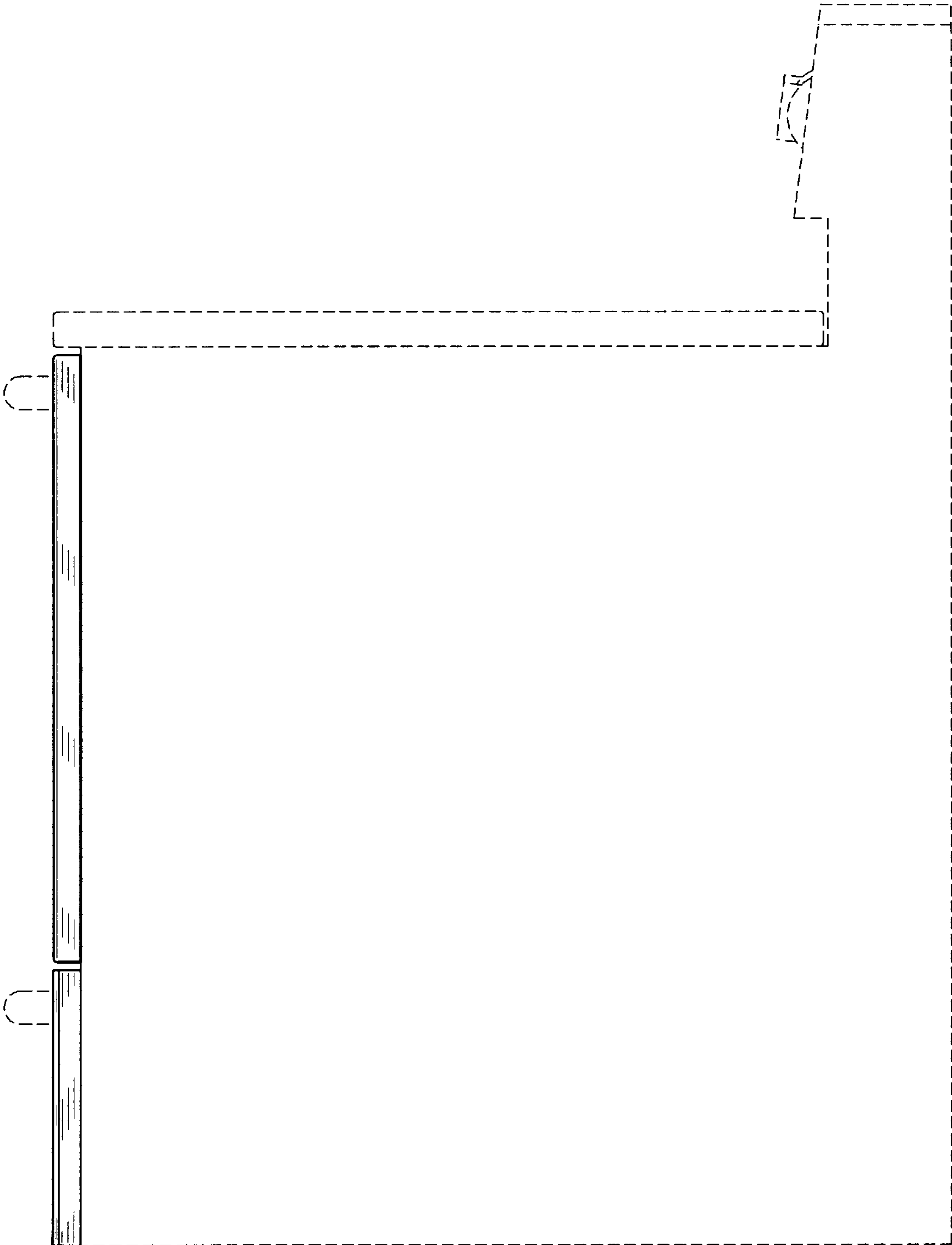


FIG. 4

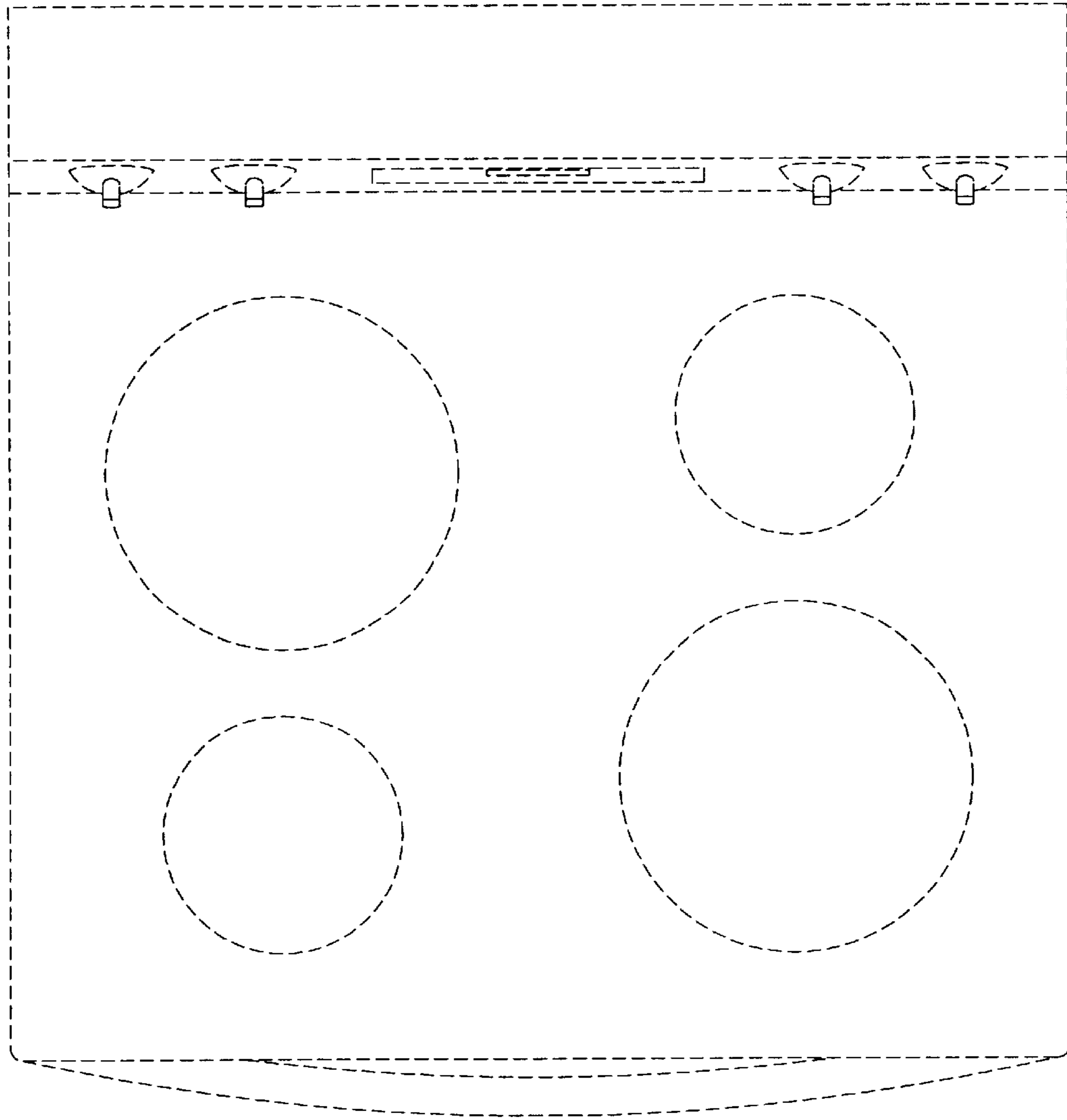


FIG. 5

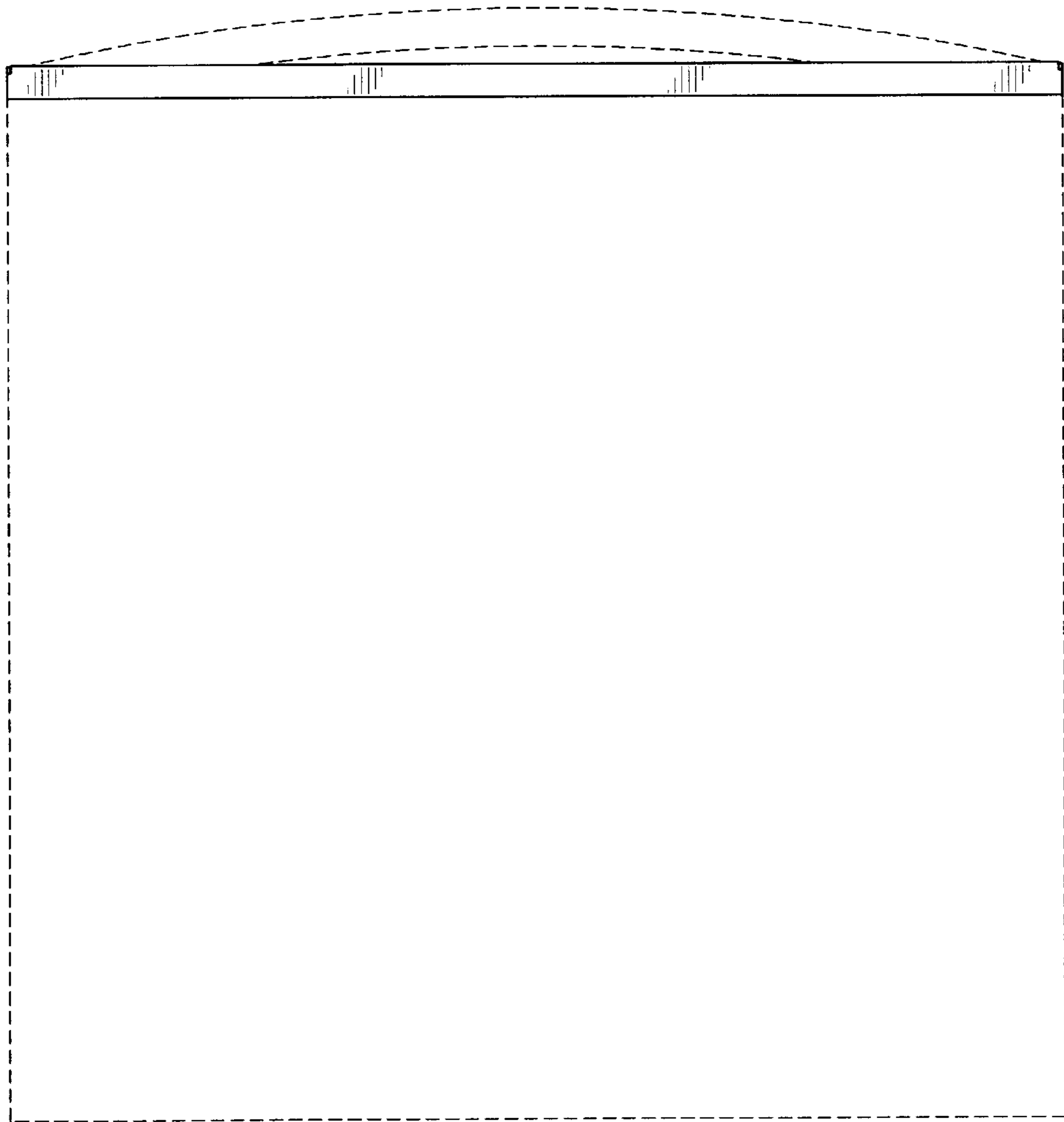


FIG. 6