



US00D530146S

(12) **United States Design Patent**
Ball et al.

(10) **Patent No.:** **US D530,146 S**
(45) **Date of Patent:** **** Oct. 17, 2006**

- (54) **STAND MIXER**
- (75) Inventors: **Alan D. Ball**, Somerville, MA (US);
Charles Greenway, London (GB)
- (73) Assignee: **Conair Corporation**, Stamford, CT
(US)
- (**) Term: **14 Years**
- (21) Appl. No.: **29/237,980**
- (22) Filed: **Sep. 9, 2005**
- (51) **LOC (8) Cl.** **31-00**
- (52) **U.S. Cl.** **D7/379**
- (58) **Field of Classification Search** D7/306,
D7/309, 311, 376–386, 412, 413, 415, 509,
D7/523, 529, 530, 665, 166–169; 99/348,
99/509–511; 241/30, 33, 36, 37.5, 168, 101.01,
241/101.1, 199, 101.2, 279, 282.2, 199.12,
241/282.1, 291, 292.1, 301, 274–278.2, 285.1,
241/285.2, 285.3; 366/64–67, 98, 100, 129,
366/130, 146, 192, 197–214, 241–254, 279,
366/282, 314, 318, 325.3, 325.92, 325.93,
366/325.94, 327.2, 328.2, 329.1, 330.1, 330.2,
366/330.3, 330.4, 330.5, 219–221, 341–349;
D8/1, 16, 20, 9; D9/447; 219/209
See application file for complete search history.

- 5,000,578 A 3/1991 Artin et al.
- D319,555 S * 9/1991 Thomas D7/379
- D341,748 S 11/1993 Correa
- D343,763 S 2/1994 Zimmerman
- D347,969 S 6/1994 Cousins et al.
- D350,871 S * 9/1994 Littmann D7/309
- 5,353,697 A 10/1994 Venturati et al.
- 5,403,091 A 4/1995 Thomas
- 5,524,530 A 6/1996 Nijzingsh et al.
- D378,560 S 3/1997 Myers et al.
- D378,649 S 4/1997 Myers et al.
- D383,646 S 9/1997 Jeppesen et al.
- D390,415 S 2/1998 Hippen et al.
- 5,758,963 A 6/1998 Xie et al.
- D403,920 S 1/1999 Pytlewski
- D404,606 S 1/1999 Huang

(Continued)

FOREIGN PATENT DOCUMENTS

WO WO 2005034699 A1 * 4/2005

* cited by examiner

Primary Examiner—Cathron C. Brooks
Assistant Examiner—Ricky Pham
(74) *Attorney, Agent, or Firm*—Lawrence Cruz; Steven A. Garner

(57) **CLAIM**

The ornamental design for a stand mixer, as shown and described.

DESCRIPTION

FIG. 1 is a perspective view of a stand mixer showing our new design;
FIG. 2 is a right side view thereof;
FIG. 3 is a front view thereof;
FIG. 4 is a top view thereof;
FIG. 5 is a left side view thereof;
FIG. 6 is a rear view thereof; and,
FIG. 7 is a bottom view.

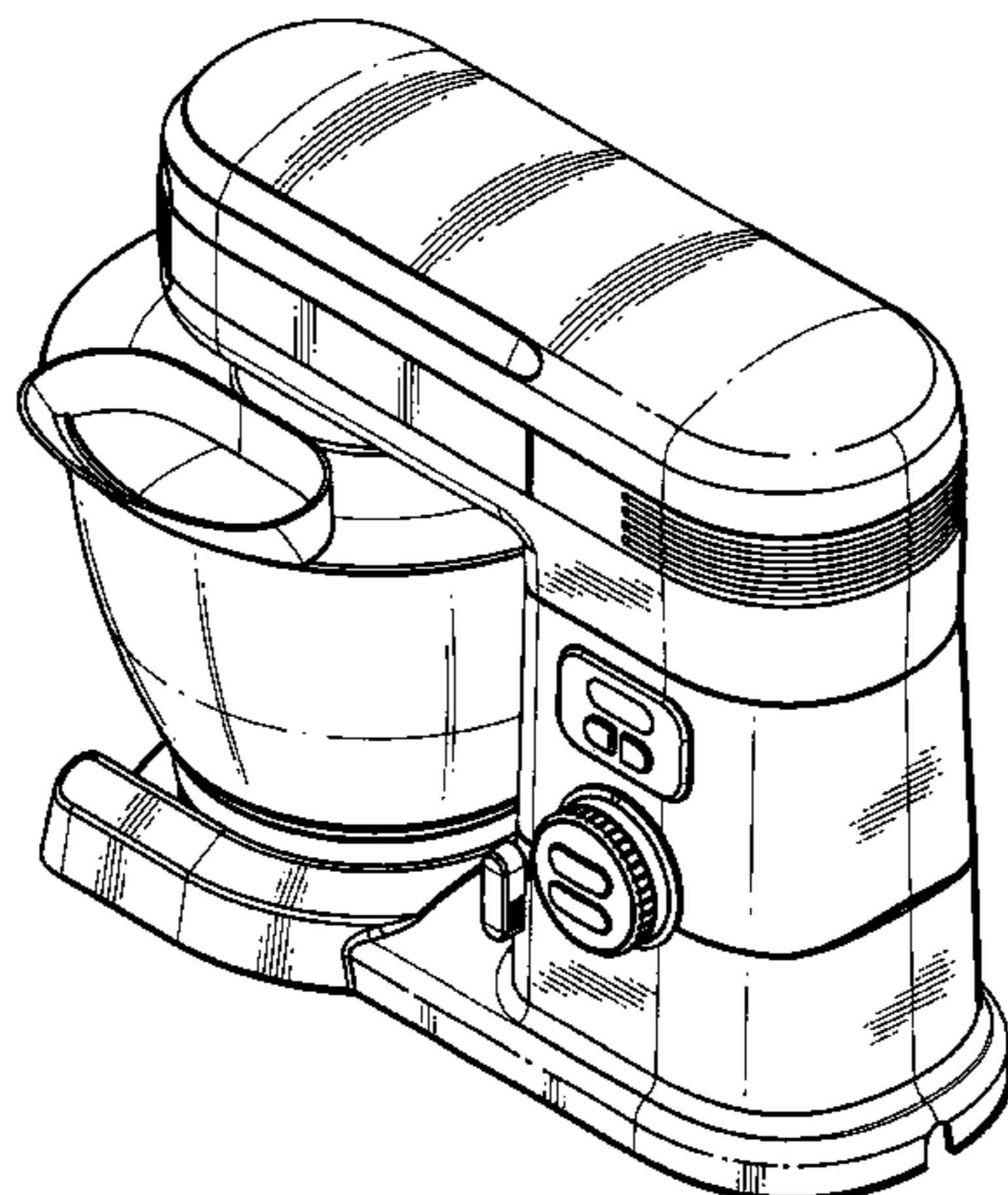
The broken lines are shown for illustrative purposes only and form no part of the claimed design.

1 Claim, 7 Drawing Sheets

(56) **References Cited**

U.S. PATENT DOCUMENTS

- D131,792 S 3/1942 Strauss
- D162,875 S * 4/1951 Polivka et al. D7/379
- D189,936 S * 3/1961 Grange D7/379
- D209,072 S * 10/1967 Duncan D7/379
- 3,809,325 A 5/1974 Marrie
- 4,176,971 A 12/1979 Ernster et al.
- 4,325,643 A 4/1982 Scott et al.
- D277,924 S 3/1985 Kafka
- D280,066 S 8/1985 Engstrom
- D286,258 S 10/1986 Grange
- D291,271 S * 8/1987 Wilson D7/379
- 4,946,285 A 8/1990 Vennemeyer
- D314,883 S * 2/1991 Naft D7/379



US D530,146 S

Page 2

U.S. PATENT DOCUMENTS

D404,607 S	1/1999	Huang		D469,303 S	1/2003	Au	
5,911,505 A	6/1999	St. John et al.		6,669,359 B1	12/2003	Ancona et al.	
5,934,802 A	8/1999	Xie		D484,734 S *	1/2004	Drobeck	D7/309
5,957,578 A	9/1999	Holbrook et al.		D488,956 S	4/2004	Boyle et al.	
D416,752 S *	11/1999	Leverrier	D7/379	D493,067 S	7/2004	Drees et al.	
5,979,850 A	11/1999	Hippen et al.		D499,604 S	12/2004	Hooper et al.	
D436,497 S *	1/2001	Nalbandian	D7/379	6,832,543 B1	12/2004	Siano et al.	
6,176,610 B1	1/2001	Myers et al.		D500,937 S	1/2005	Bravard et al.	
D438,052 S	2/2001	Po-Hei		D502,841 S *	3/2005	Santer	D7/379
D438,424 S	3/2001	Po-Hei		2001/0022139 A1	9/2001	Kubicko et al.	
D447,907 S	9/2001	Po-Hei		2002/0181322 A1	12/2002	Brunswick et al.	
D454,023 S *	3/2002	Wang	D7/309	2004/0001387 A1	1/2004	Hallas et al.	
6,435,708 B1	8/2002	Huang		2004/0129809 A1	7/2004	Siano et al.	
6,481,342 B1	11/2002	Thackray		2005/0058018 A1 *	3/2005	Hooper et al.	366/197

* cited by examiner

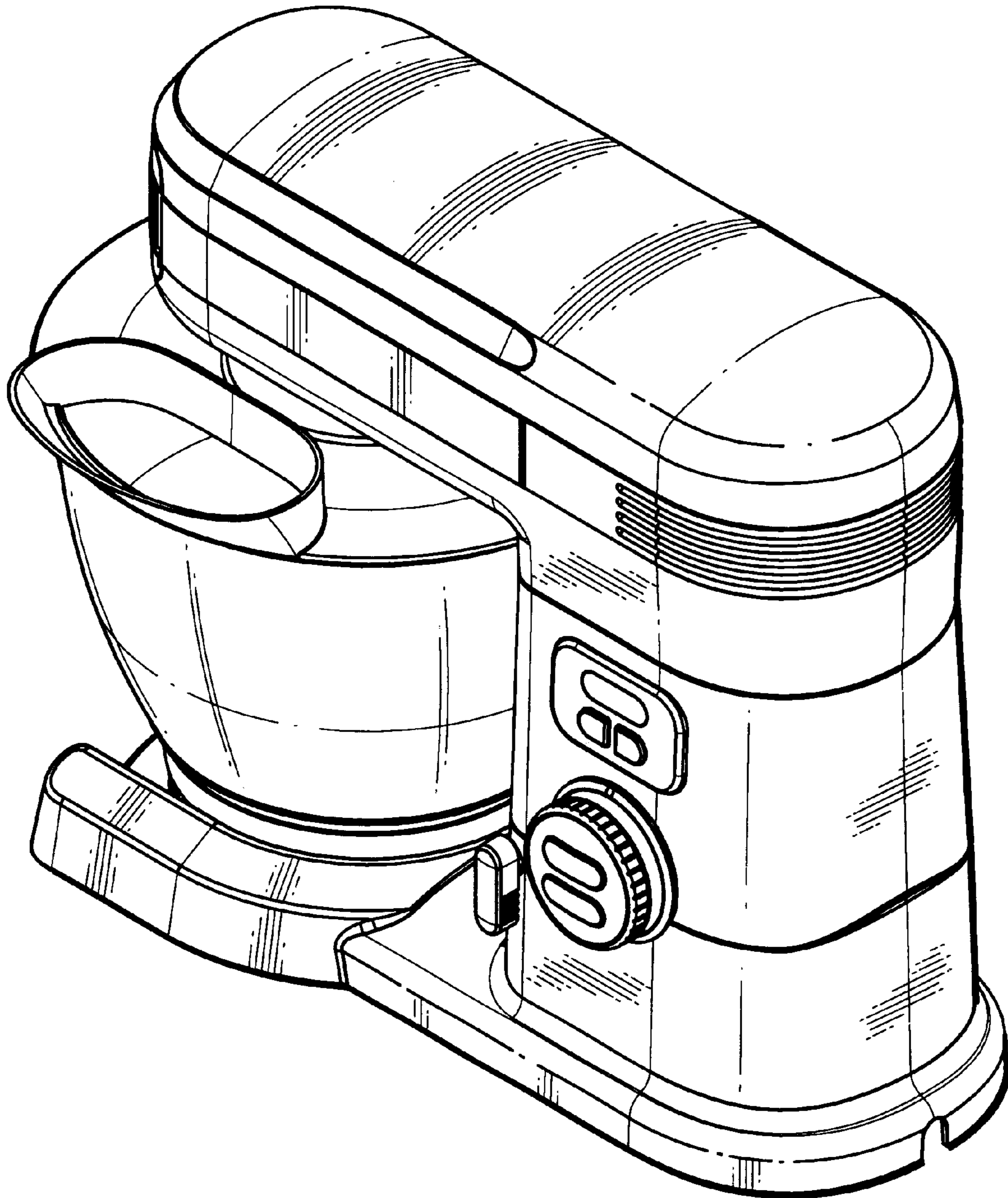


FIG. 1

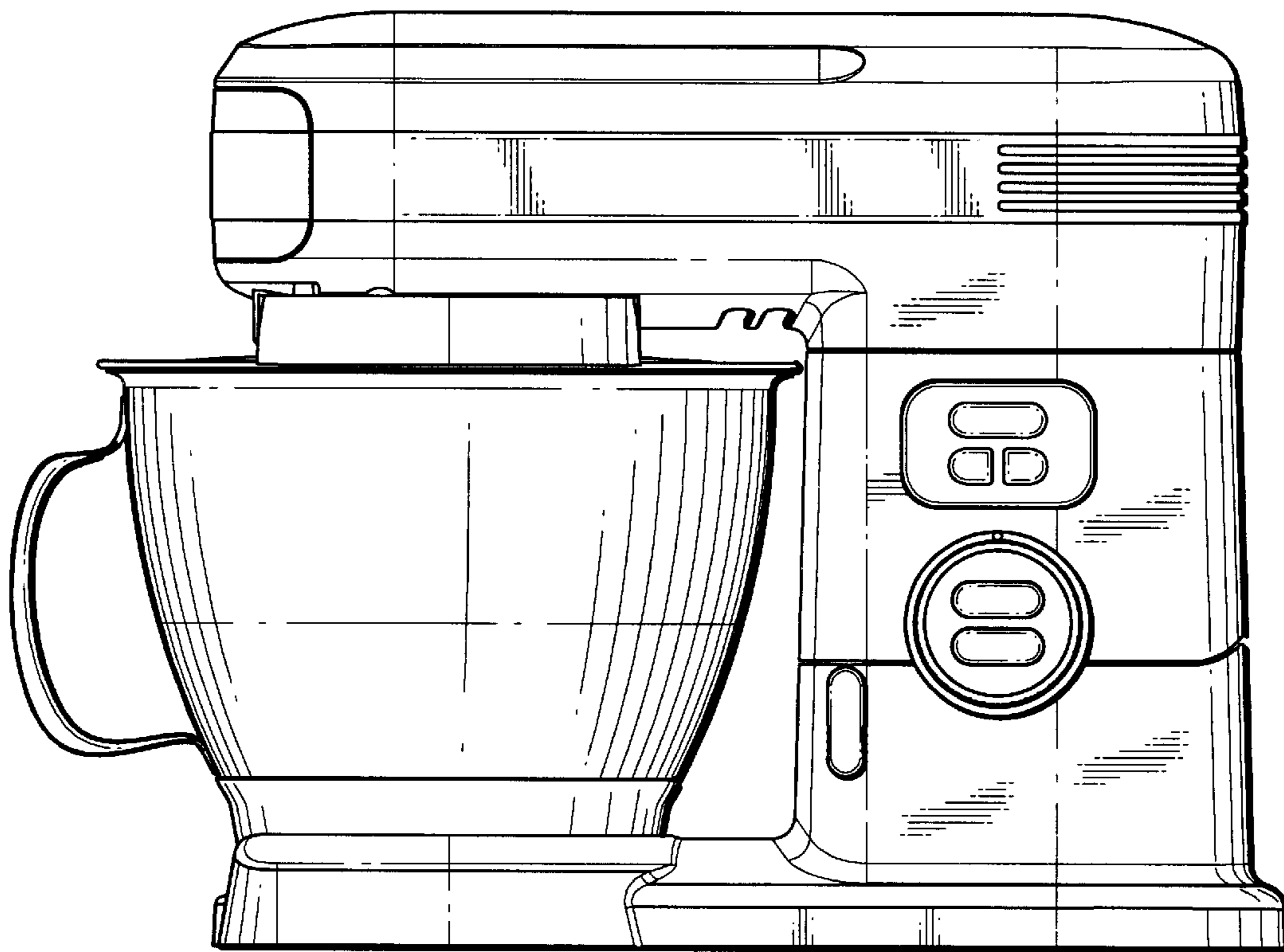


FIG. 2

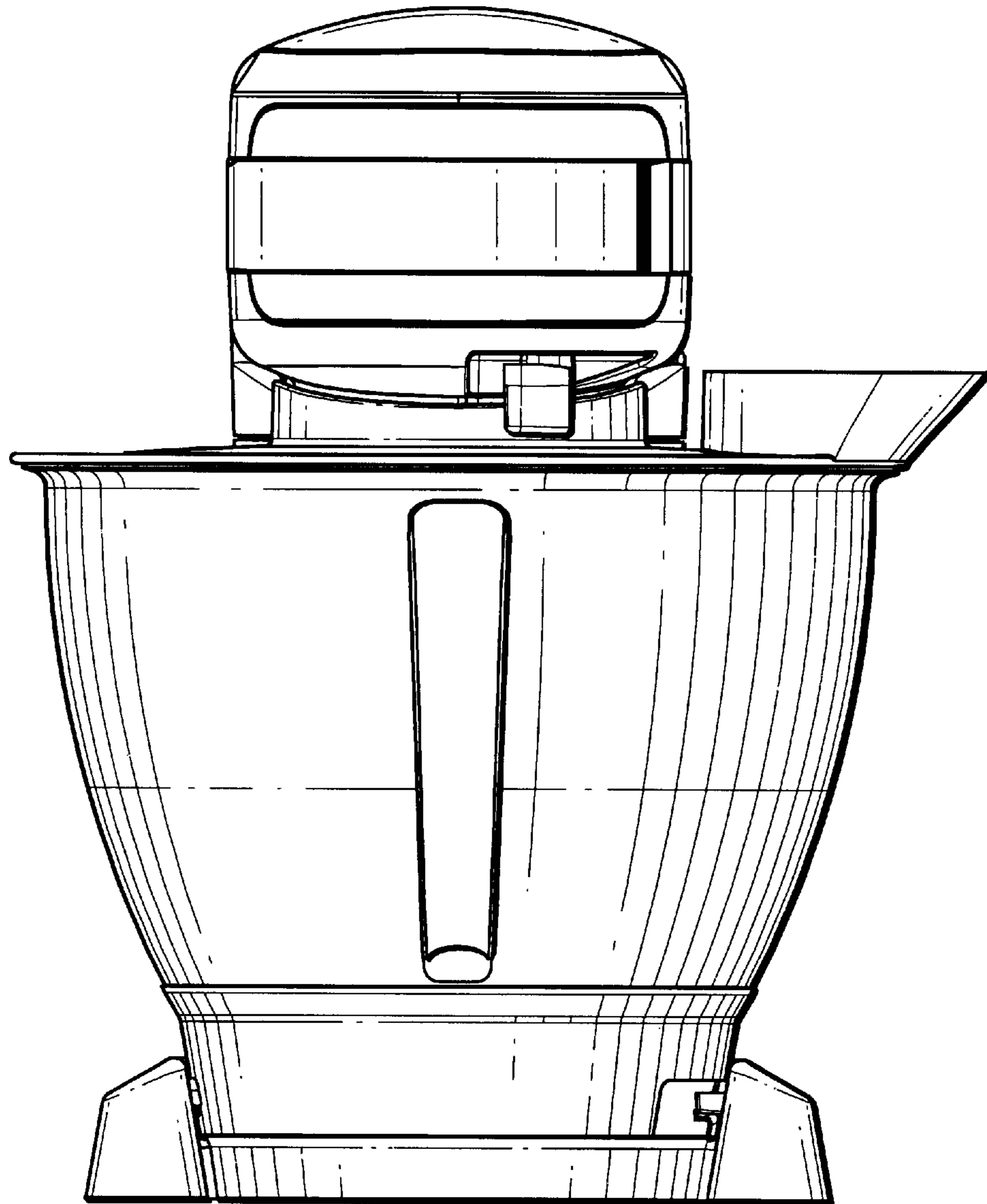


FIG. 3

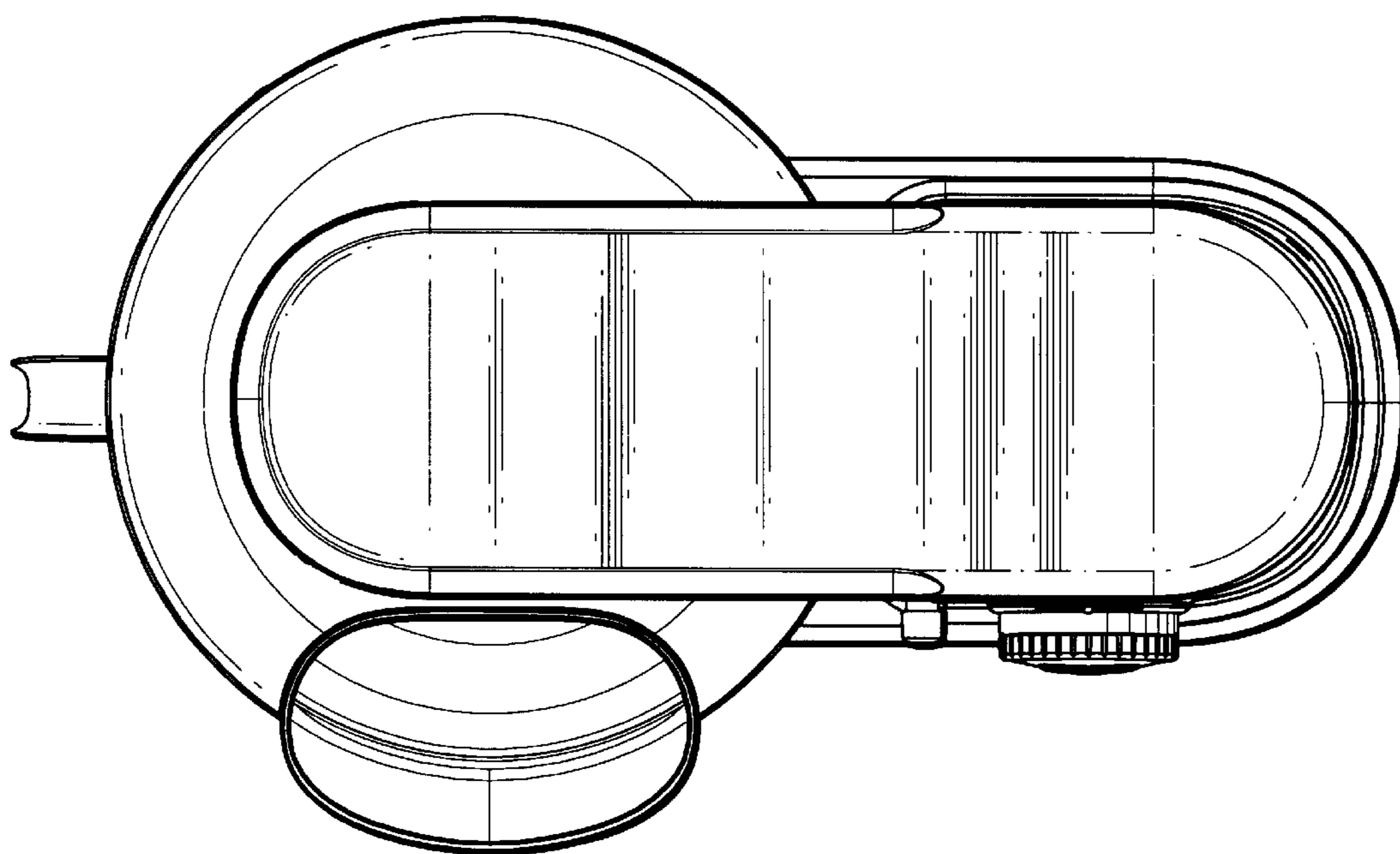


FIG. 4

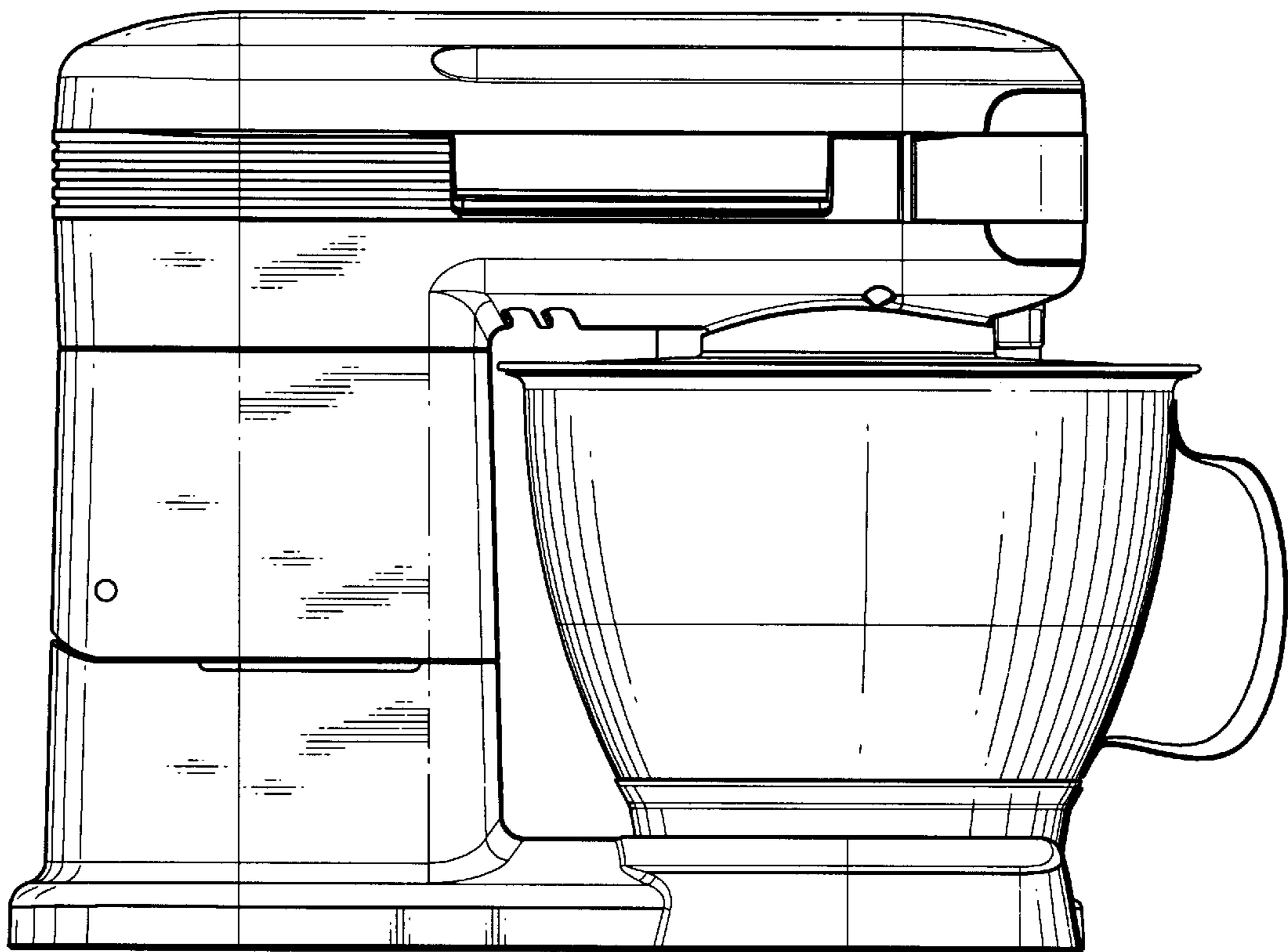


FIG. 5

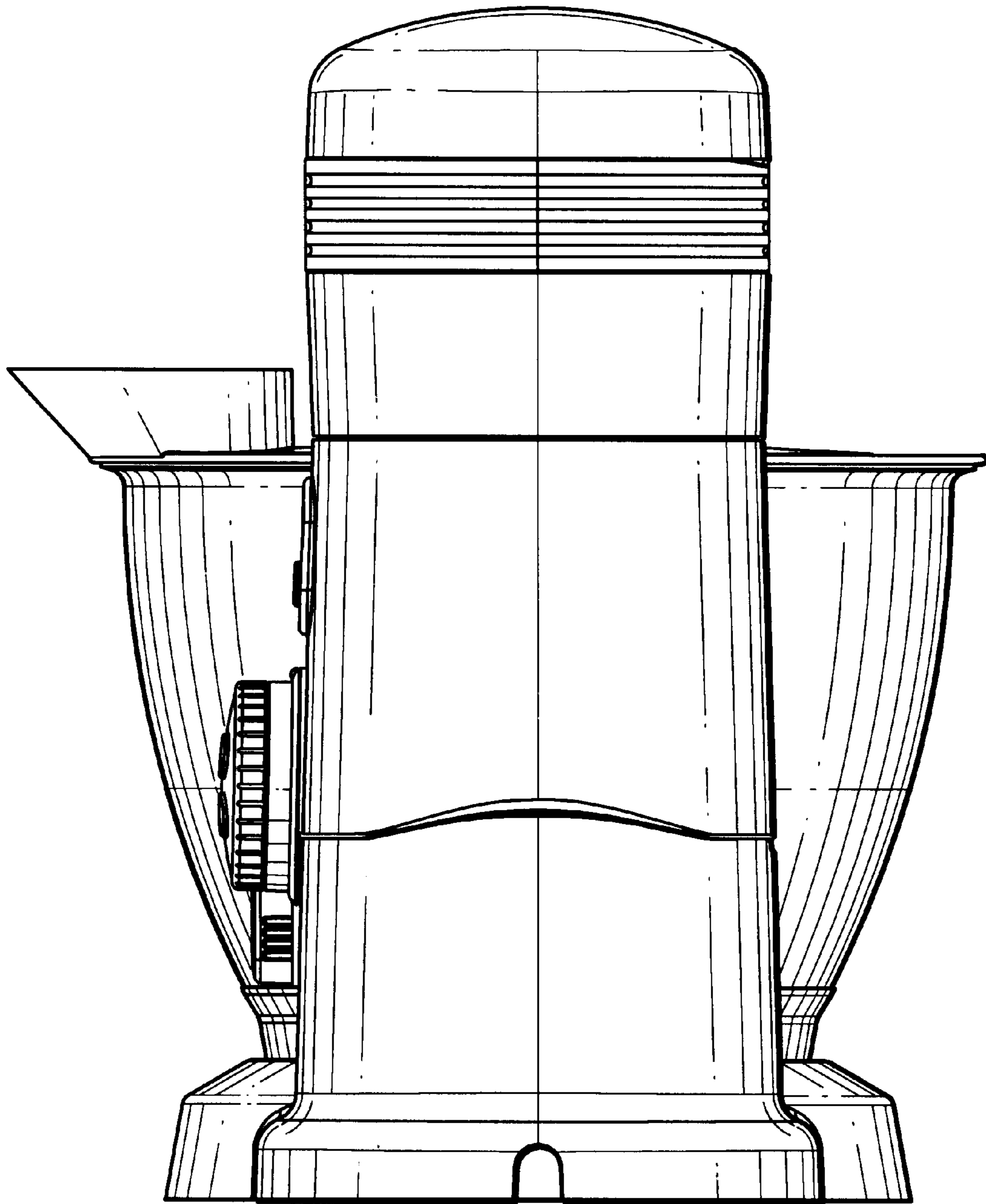


FIG. 6

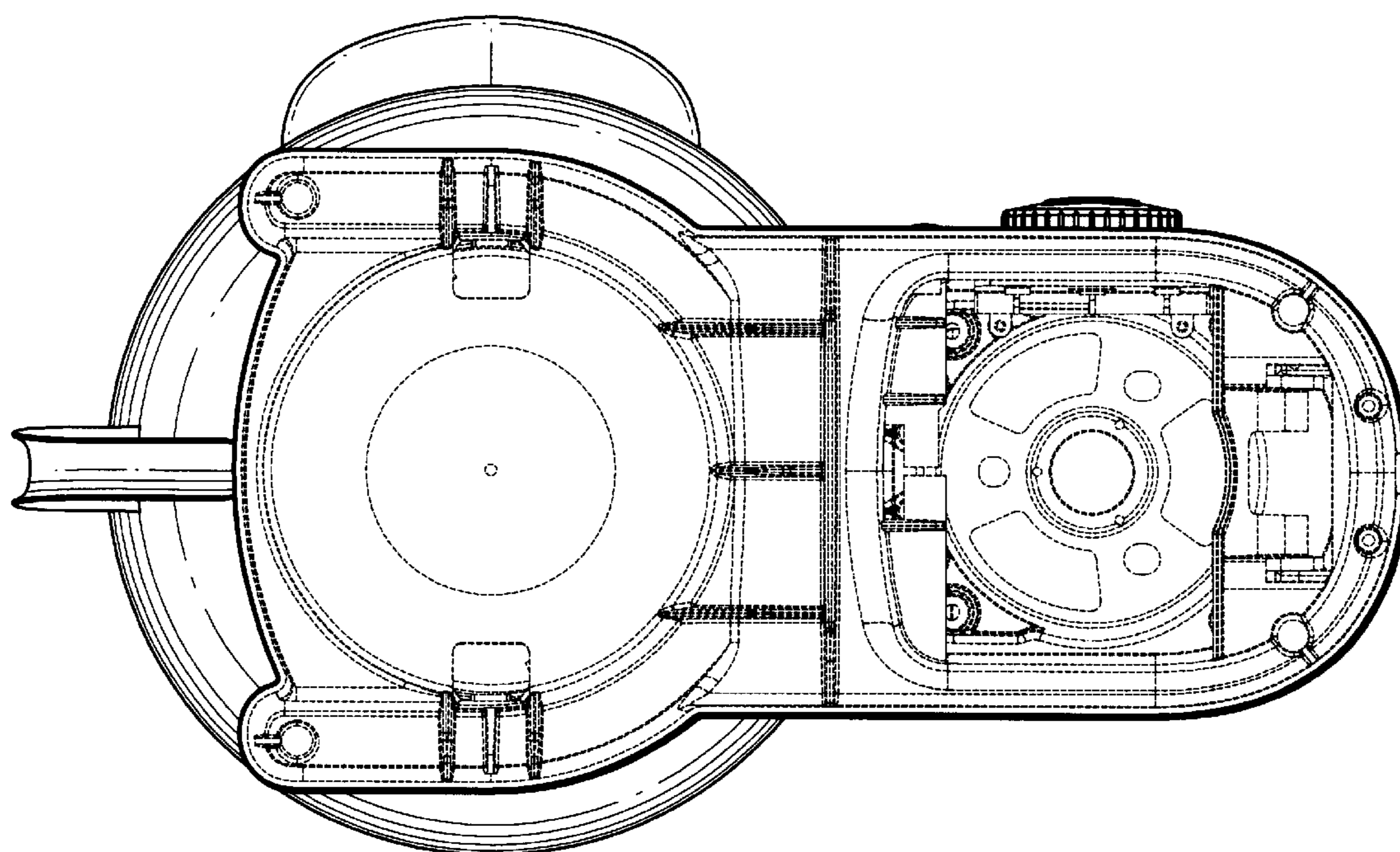


FIG. 7