



US00D530145S

(12) **United States Design Patent**  
**Bergara**

(10) **Patent No.:** **US D530,145 S**

(45) **Date of Patent:** **\*\* Oct. 17, 2006**

(54) **PRESSURE COOKER**

(75) Inventor: **Anartz Bergara**, Lazkao (ES)

(73) Assignee: **Fagor, S. Coop.**, Mondragon (ES)

(\*\*) Term: **14 Years**

(21) Appl. No.: **29/207,411**

(22) Filed: **Jun. 12, 2004**

(30) **Foreign Application Priority Data**

Mar. 12, 2004 (EM) ..... 000148408

(51) **LOC (8) Cl.** ..... **07-02**

(52) **U.S. Cl.** ..... **D7/358**

(58) **Field of Classification Search** ..... D7/323,  
D7/354-361; 99/324, 325, 329 R, 330-339;  
220/203.01, 203.07, 303, 573.1

See application file for complete search history.

(56) **References Cited**

**U.S. PATENT DOCUMENTS**

|           |   |   |         |                |       |            |
|-----------|---|---|---------|----------------|-------|------------|
| 3,973,694 | A | * | 8/1976  | Tess           | ..... | 220/203.06 |
| D253,867  | S | * | 1/1980  | Boldt et al.   | ..... | D7/358     |
| 4,257,394 | A | * | 3/1981  | Zabel          | ..... | 126/374.1  |
| D263,782  | S | * | 4/1982  | Jackson et al. | ..... | D7/358     |
| D295,817  | S | * | 5/1988  | Sebillotte     | ..... | D7/358     |
| D312,751  | S | * | 12/1990 | Moreno         | ..... | D7/358     |
| D353,969  | S | * | 1/1995  | Savinel        | ..... | D7/358     |
| D365,494  | S | * | 12/1995 | Roussard       | ..... | D7/358     |
| D370,382  | S | * | 6/1996  | Combe          | ..... | D7/360     |

|          |   |   |         |                 |       |        |
|----------|---|---|---------|-----------------|-------|--------|
| D384,547 | S | * | 10/1997 | Roussard et al. | ..... | D7/358 |
| D432,349 | S | * | 10/2000 | Jo              | ..... | D7/358 |
| D433,273 | S | * | 11/2000 | Roussard        | ..... | D7/358 |
| D453,661 | S | * | 2/2002  | Colletti        | ..... | D7/358 |
| D455,600 | S | * | 4/2002  | Barrena         | ..... | D7/358 |
| D461,093 | S | * | 8/2002  | Martinez        | ..... | D7/394 |

**FOREIGN PATENT DOCUMENTS**

|    |           |    |   |        |
|----|-----------|----|---|--------|
| DE | 621252    | A5 | * | 1/1981 |
| FR | DM/050517 |    | * | 1/2000 |
| GB | 1024302   |    | * | 1/1985 |
| GB | 2057790   |    | * | 1/1996 |
| GB | 2080474   |    | * | 7/1998 |

\* cited by examiner

*Primary Examiner*—Caron D. Veynar

*Assistant Examiner*—Ricky Pham

(74) *Attorney, Agent, or Firm*—The Kline Law Firm

(57) **CLAIM**

The ornamental design for a pressure cooker, as shown.

**DESCRIPTION**

FIG. 1 is a front elevational view of a pressure cooker showing my new design.

FIG. 2 is a rear elevational view of the pressure cooker.

FIG. 3 is a right elevational view of the pressure cooker.

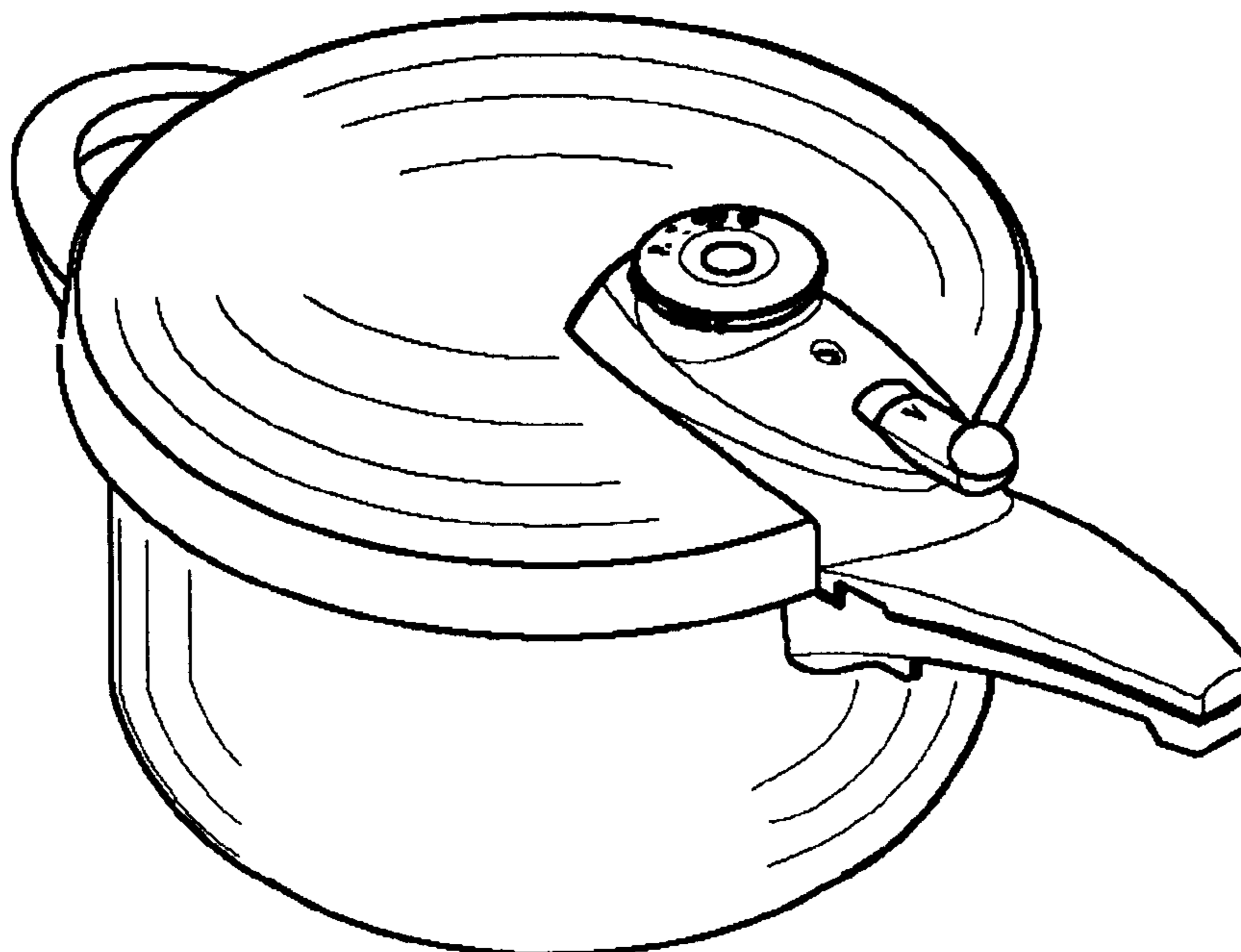
FIG. 4 is a left elevational view of the pressure cooker.

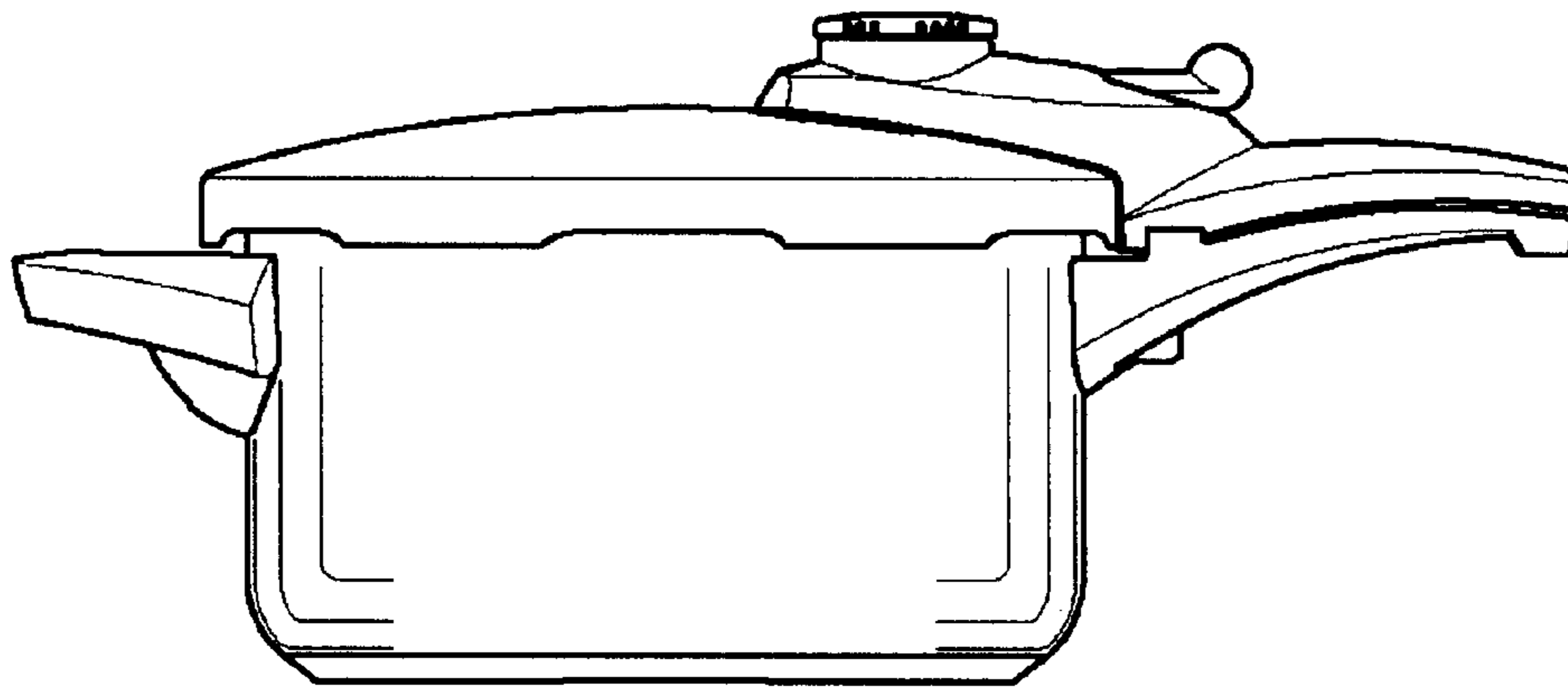
FIG. 5 is a top plan view of the pressure cooker.

FIG. 6 is a bottom plan view of the pressure cooker; and,

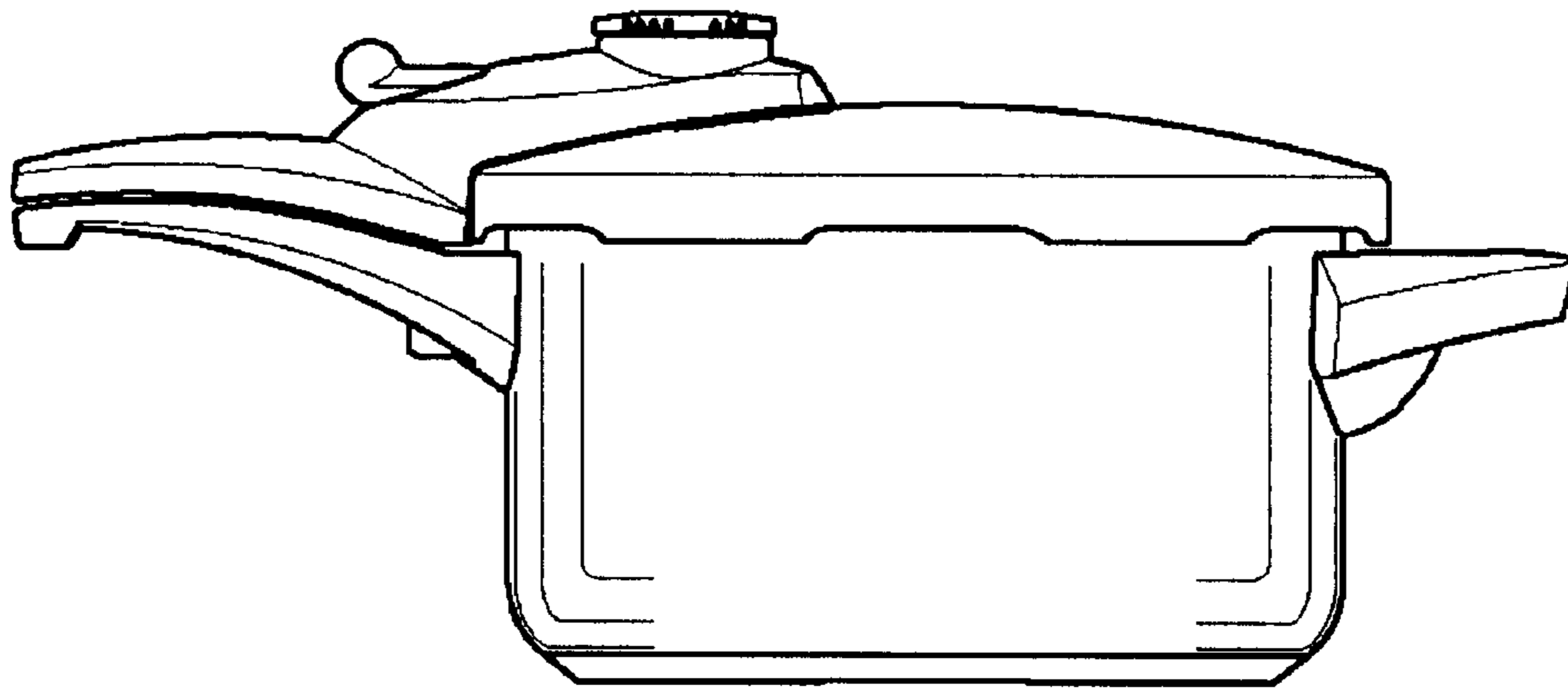
FIG. 7 is a perspective view of the pressure cooker.

**1 Claim, 7 Drawing Sheets**

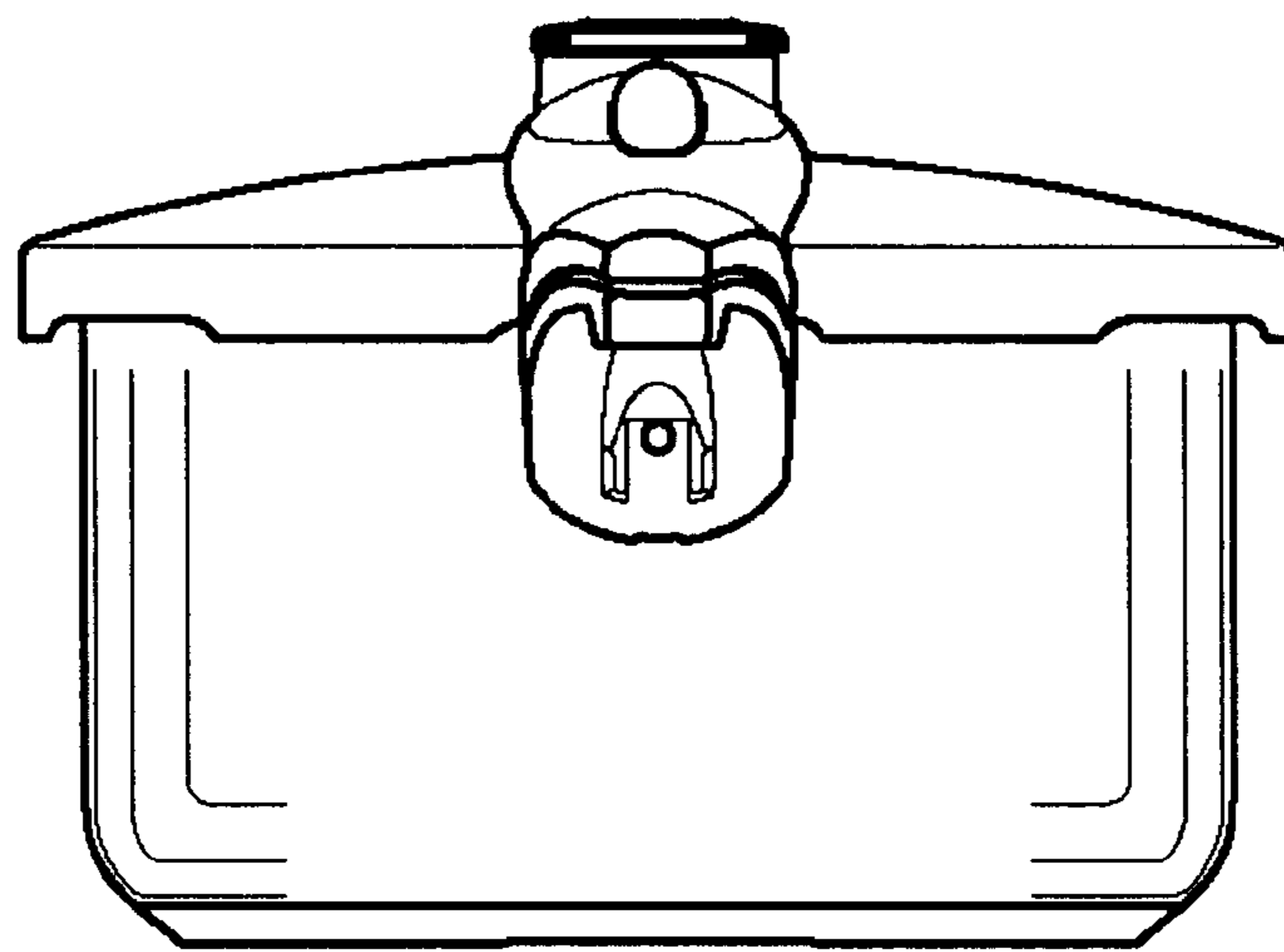




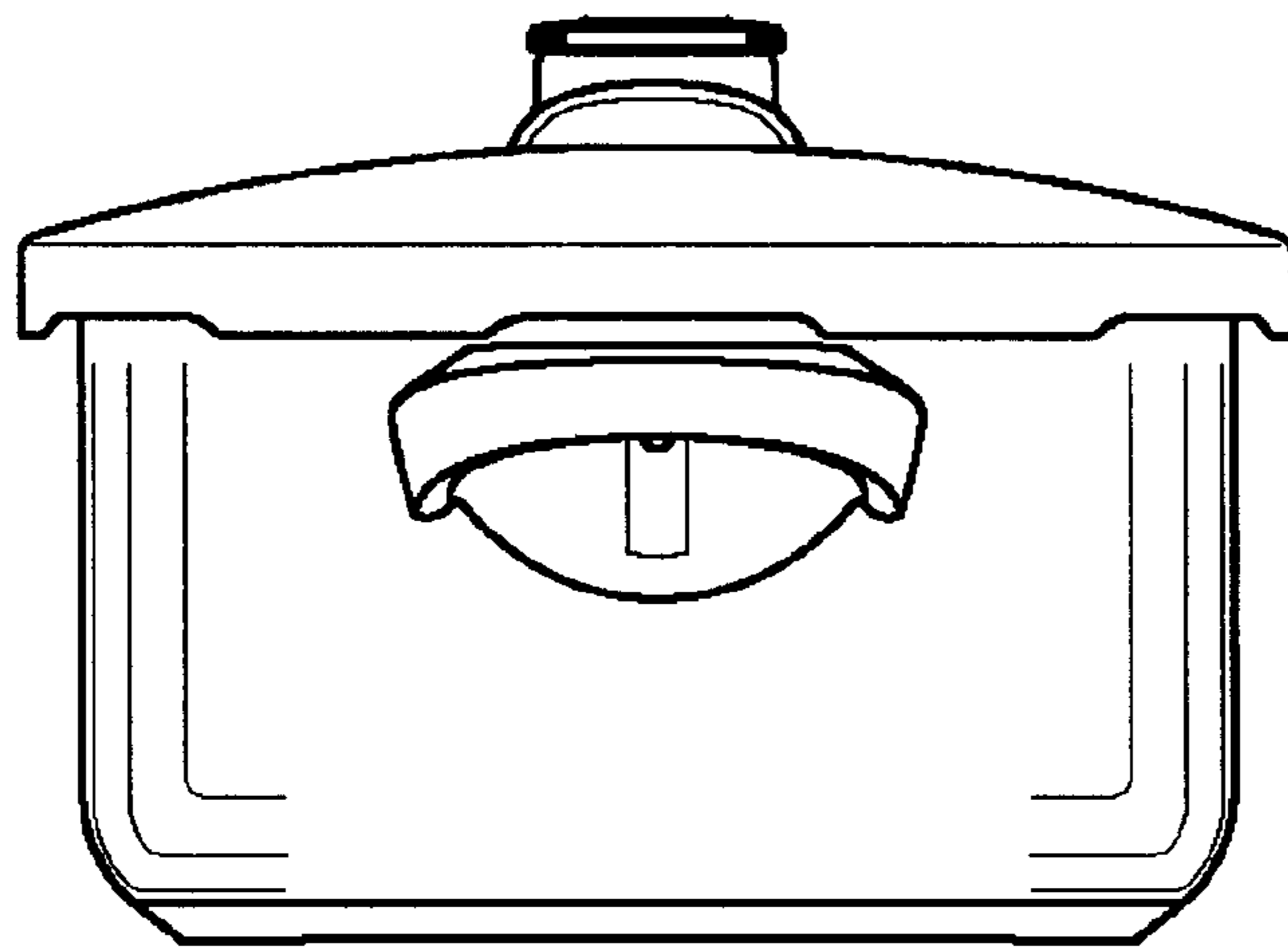
**FIG 1**



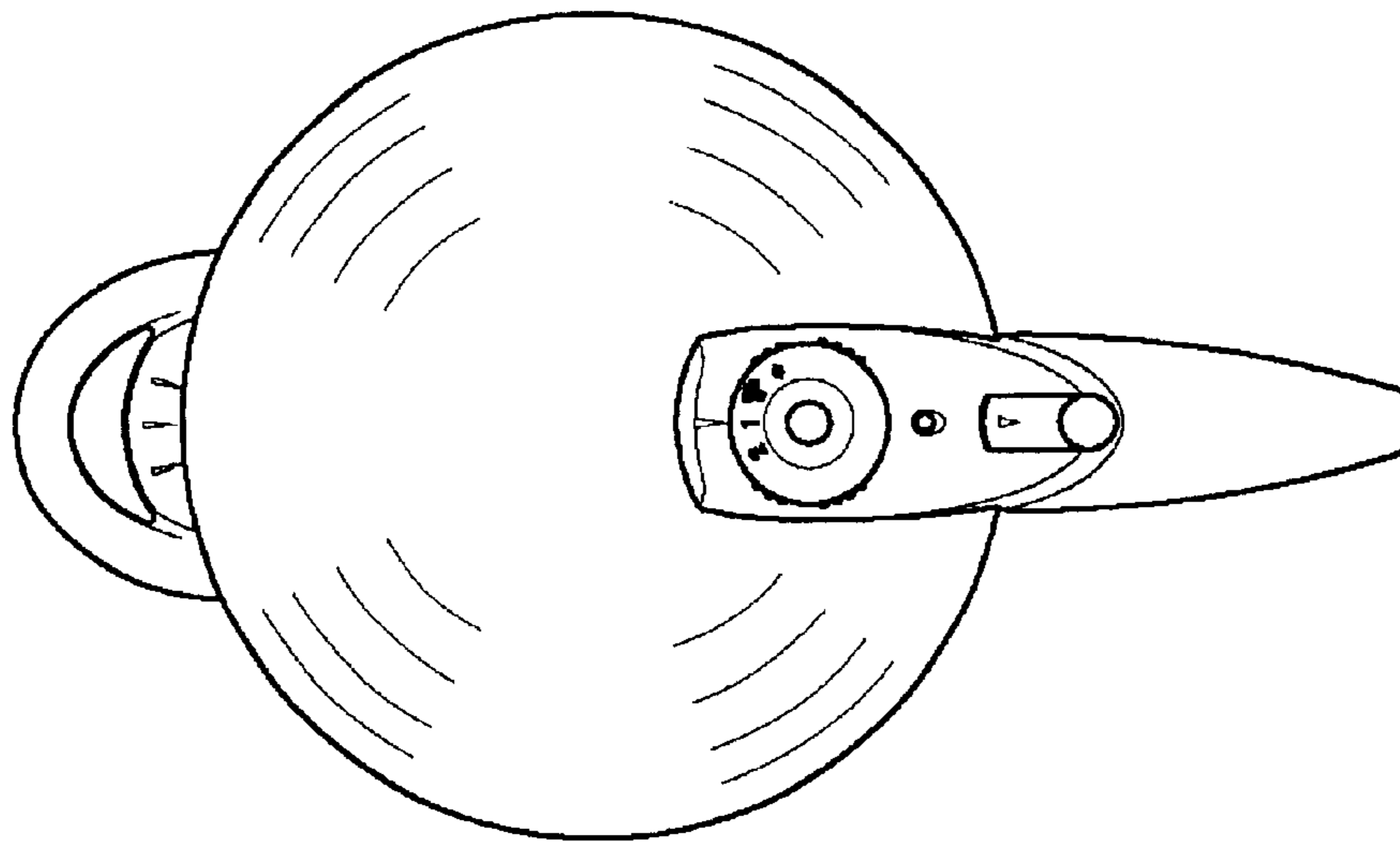
**FIG 2**



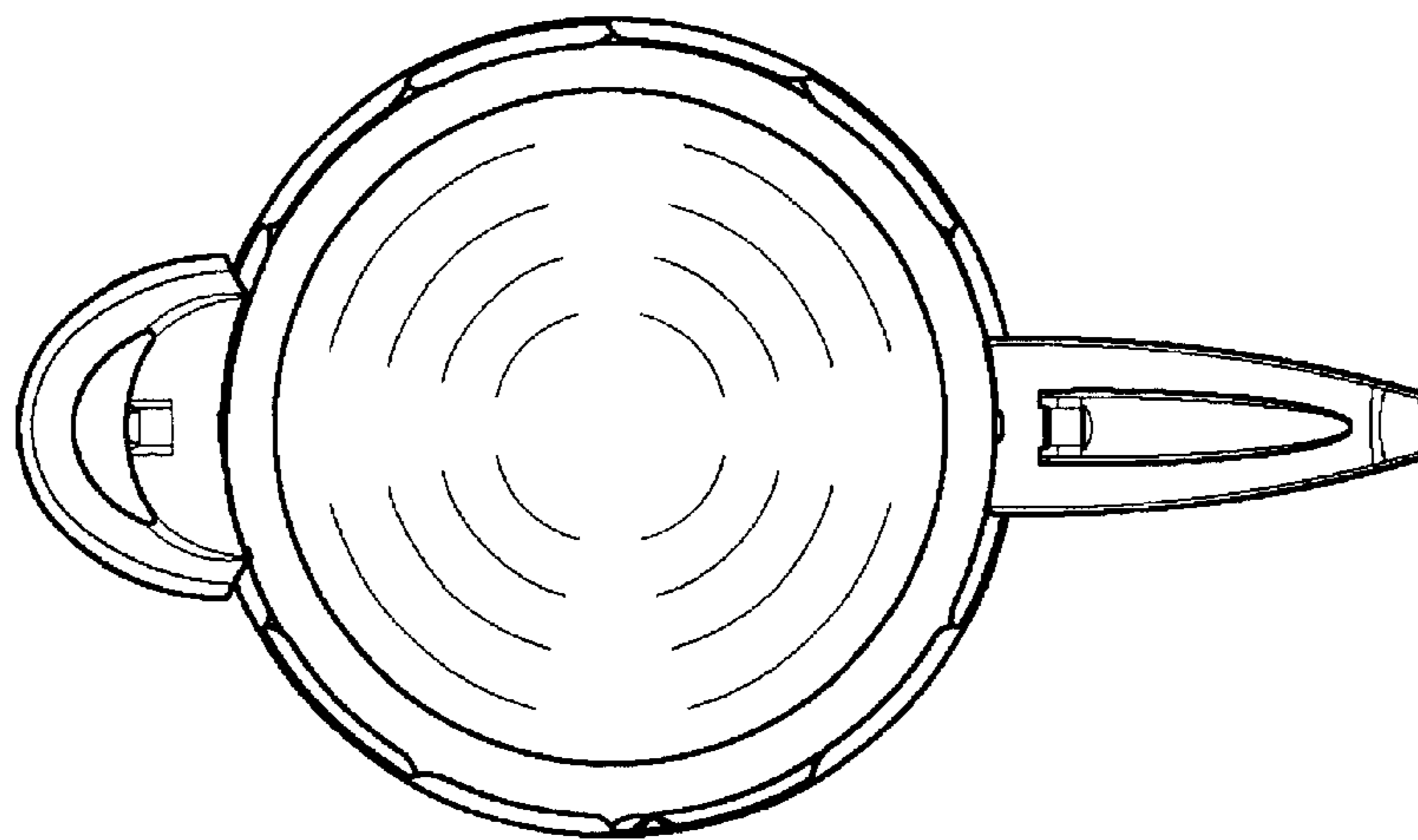
**FIG 3**



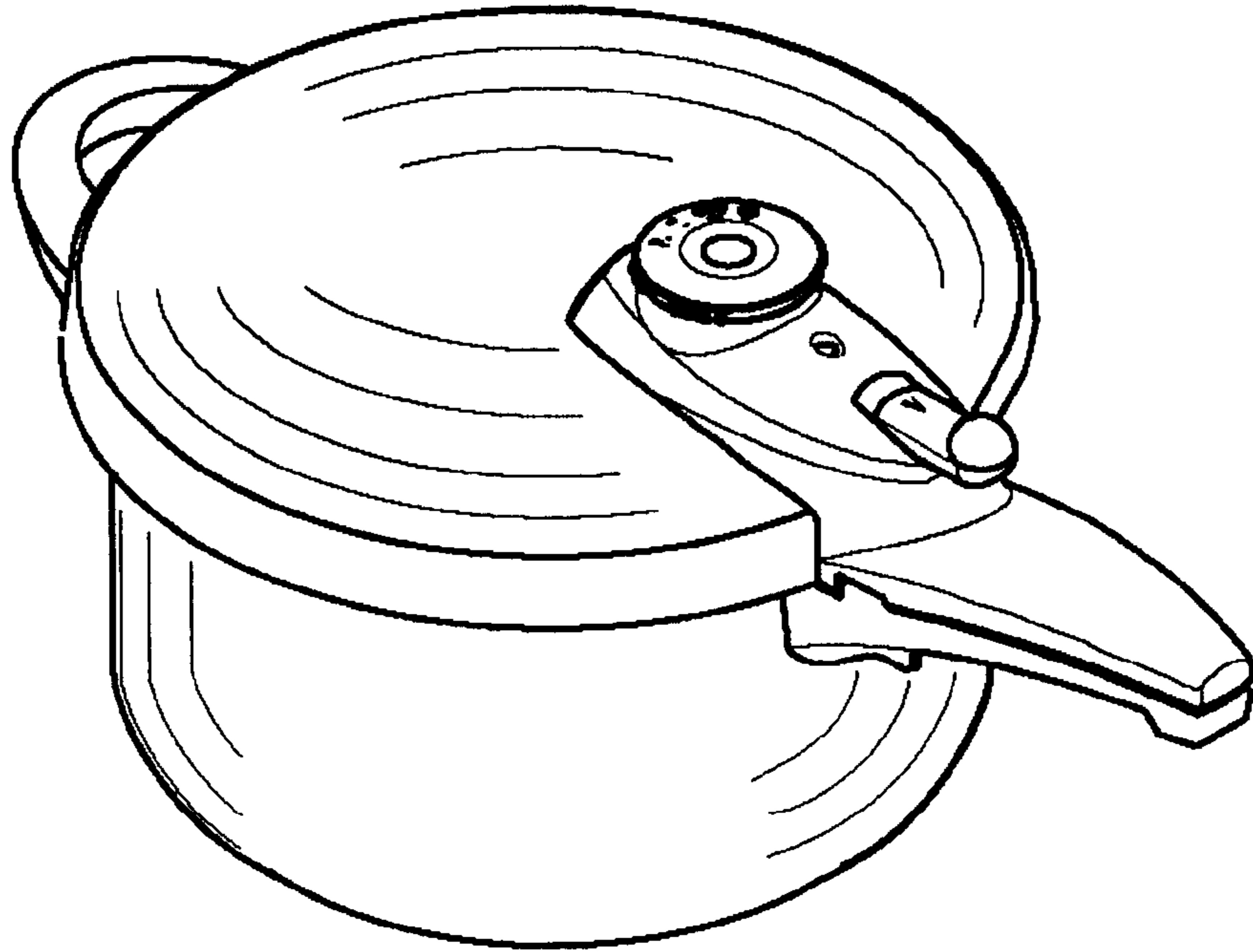
**FIG 4**



**FIG 5**



**FIG 6**



**FIG 7**