



US00D530142S

(12) **United States Design Patent**  
**Munk**

(10) **Patent No.: US D530,142 S**

(45) **Date of Patent: \*\* Oct. 17, 2006**

(54) **COFFEE BEAN ROASTER**

(76) Inventor: **Harald Munk**, Landstr. 10, 23820  
Pronstorf (DE)

(\*\*) Term: **14 Years**

(21) Appl. No.: **29/234,224**

(22) Filed: **Jul. 13, 2005**

(51) **LOC (8) Cl. .... 07-02**

(52) **U.S. Cl. .... D7/323**

(58) **Field of Classification Search** ..... D7/323,  
D7/338, 339, 368; 99/286, 483, 281, 479  
See application file for complete search history.

(56) **References Cited**

**U.S. PATENT DOCUMENTS**

D44,540 S	8/1913	Prims	.....	D7/338
D80,407 S	1/1930	Xippas	.....	D7/331
D103,188 S	2/1937	Richeson	.....	D7/338
D201,947 S	8/1965	Rodriguez	.....	D7/338
4,096,792 A	6/1978	Smith, Jr.	.....	99/355
D282,618 S	2/1986	McBrien	.....	D7/323
D295,489 S	* 5/1988	Ayukawa	.....	D7/338
D316,798 S	5/1991	Munk	.....	D7/338
5,609,097 A	* 3/1997	Newnan	.....	99/483
D389,008 S	* 1/1998	Fogassy	.....	D7/323
D395,192 S	* 6/1998	Fischer et al.	.....	D7/323

5,960,561 A	10/1999	Parodi et al.	.....	34/550
6,036,988 A	3/2000	Lemme et al.	.....	426/466
6,053,093 A	4/2000	Gerhardt et al.	.....	99/331
6,260,479 B1	7/2001	Friedrich et al.	.....	99/331
D451,331 S	* 12/2001	Su	.....	D7/338

**FOREIGN PATENT DOCUMENTS**

DE	19645306	11/1997
EP	0288870	4/1988

\* cited by examiner

*Primary Examiner*—Catherine R. Oliver

(74) *Attorney, Agent, or Firm*—Thomas M. Freiburger

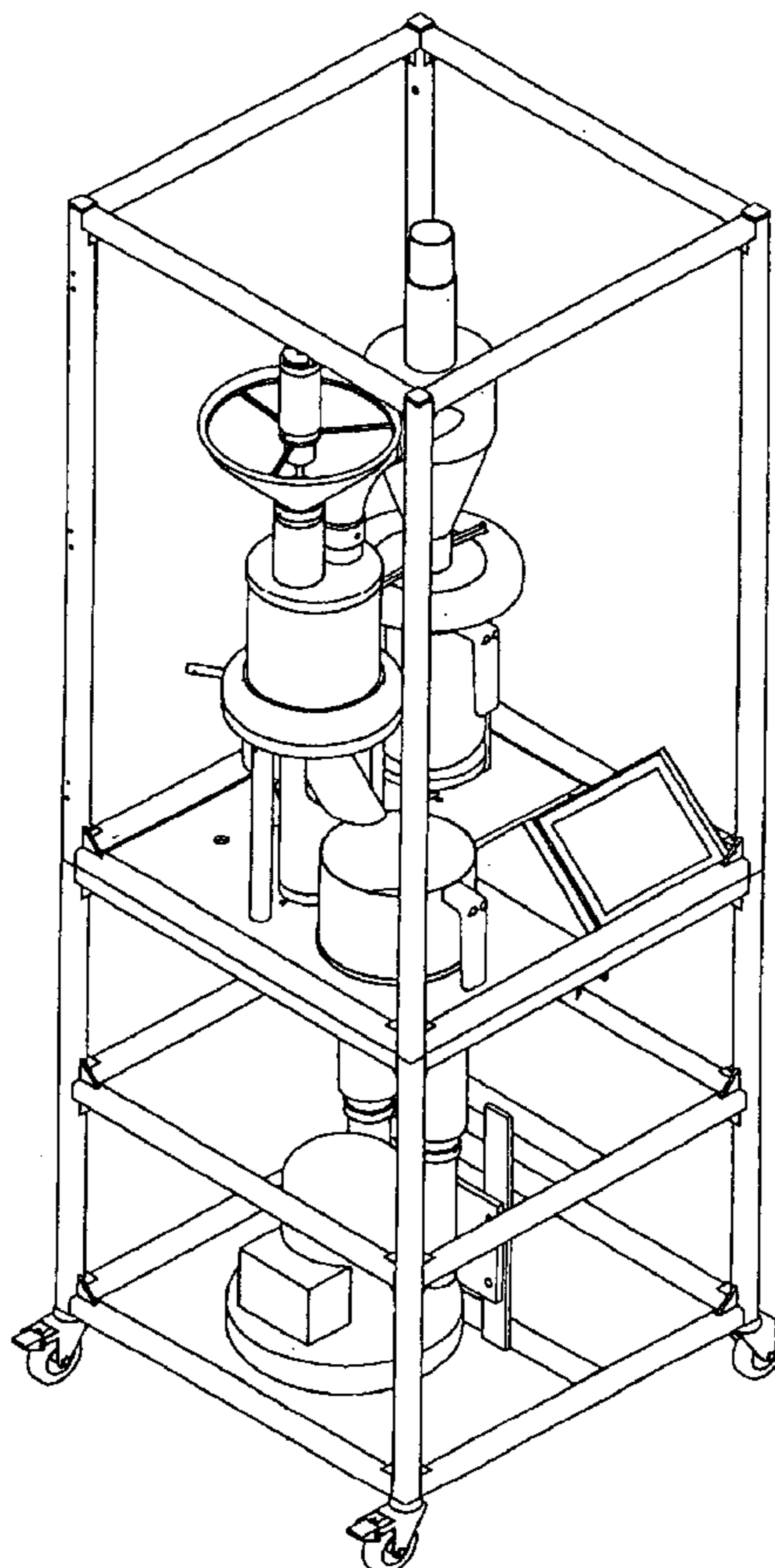
(57) **CLAIM**

The ornamental design for a coffee bean roaster, substantially as shown.

**DESCRIPTION**

FIG. 1 is a perspective view showing a coffee bean roaster according to my new design;  
FIG. 2 is a front elevation view thereof;  
FIG. 3 is a left side elevation view thereof;  
FIG. 4 is a rear elevation view thereof;  
FIG. 5 is a right side elevation view thereof;  
FIG. 6 is a bottom plan view thereof; and,  
FIG. 7 is a top plan view thereof.

**1 Claim, 6 Drawing Sheets**



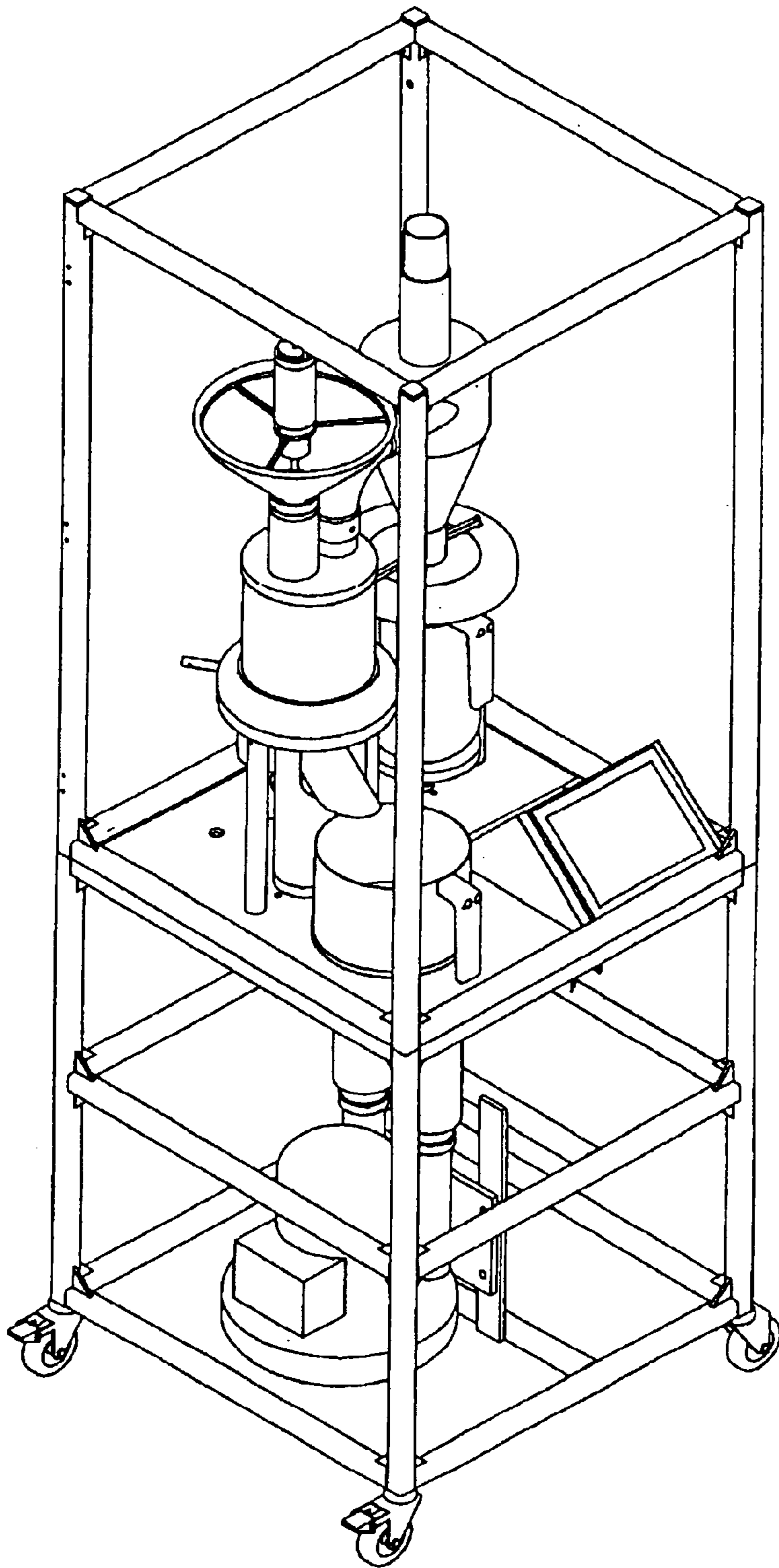


Fig. 1

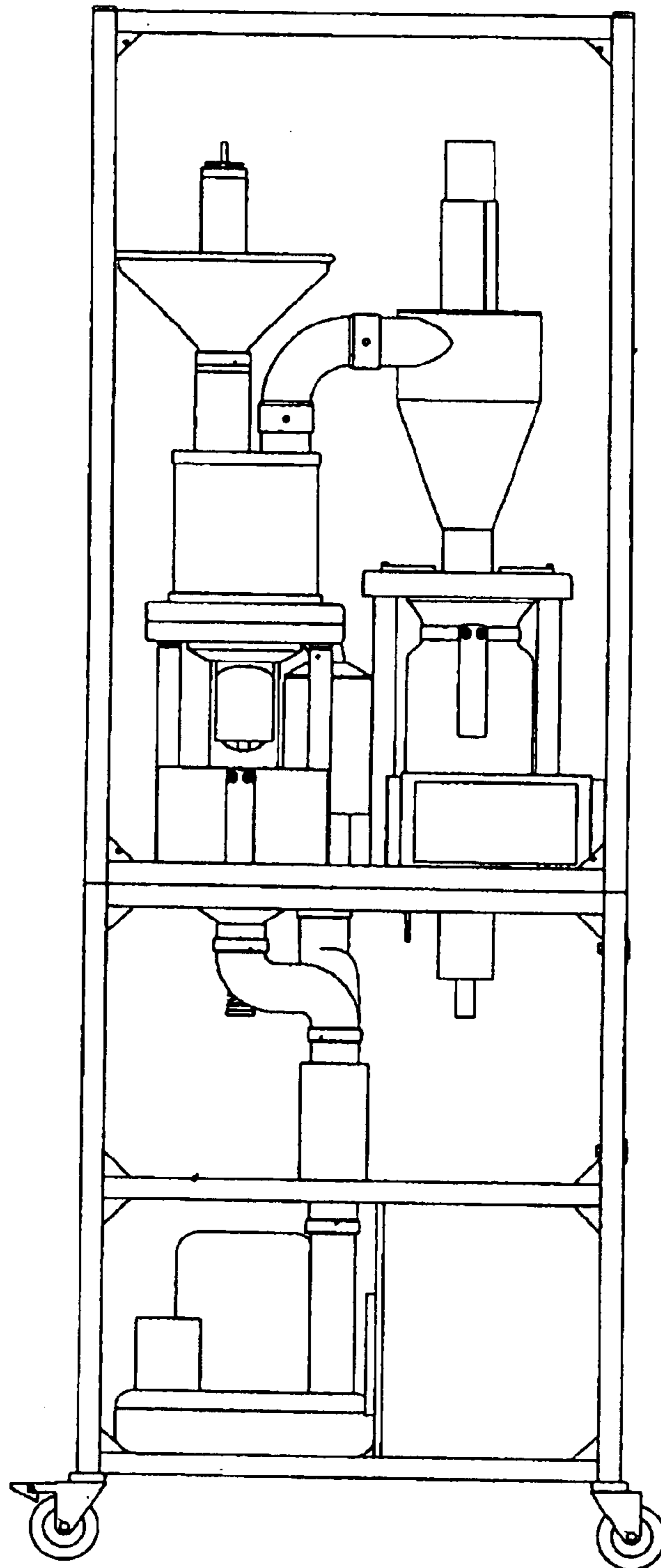


Fig. 2

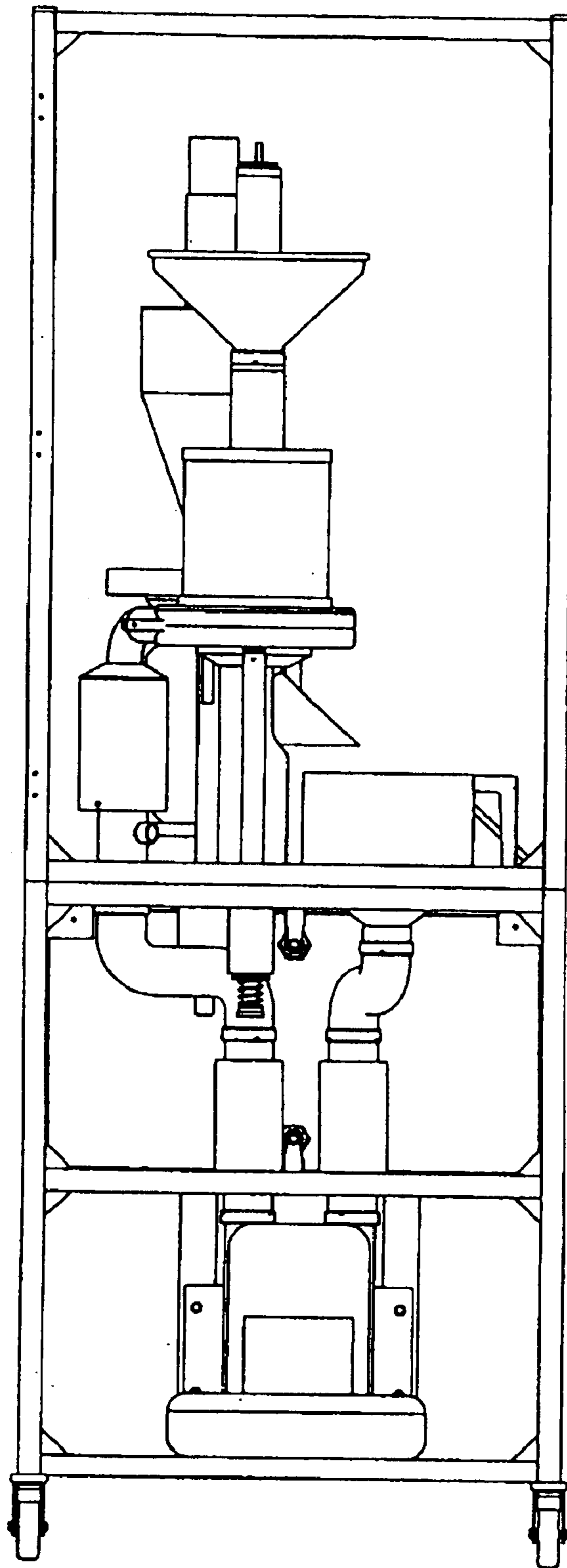


Fig. 3

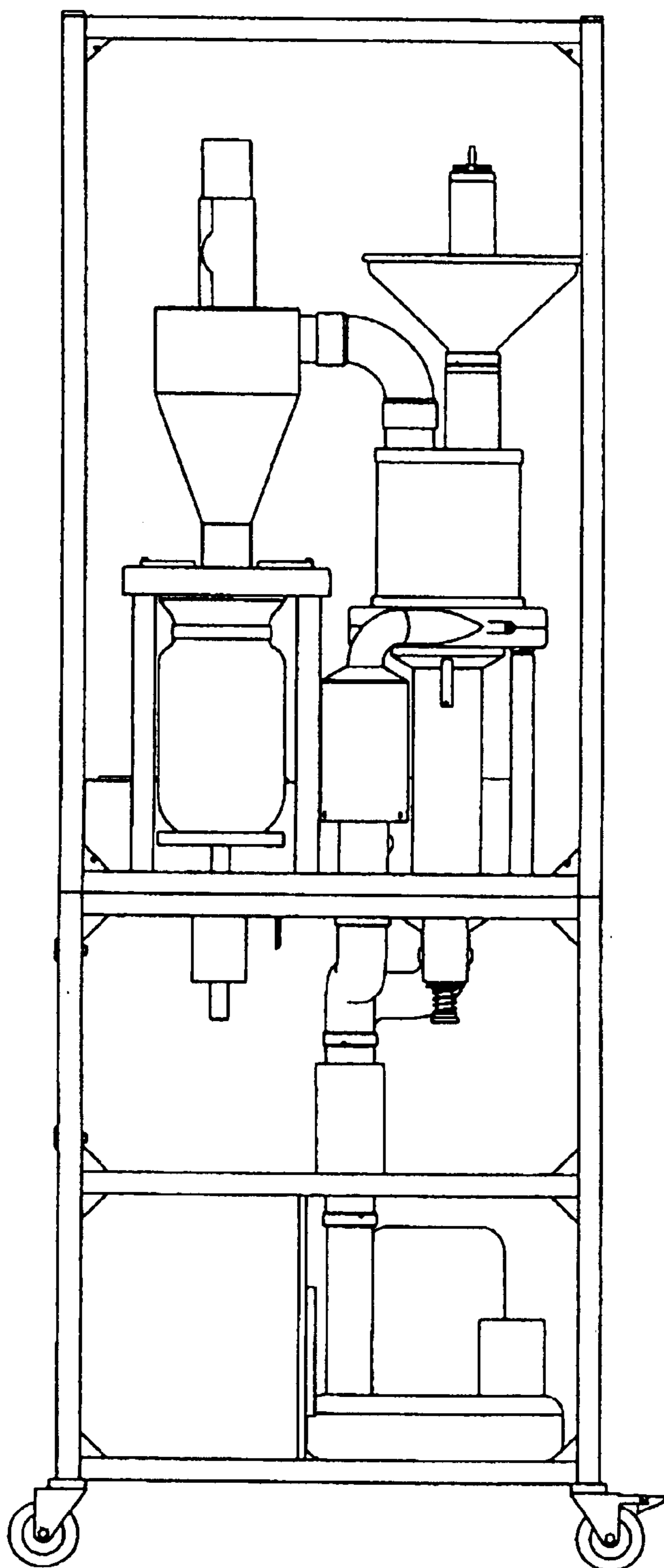


Fig. 4

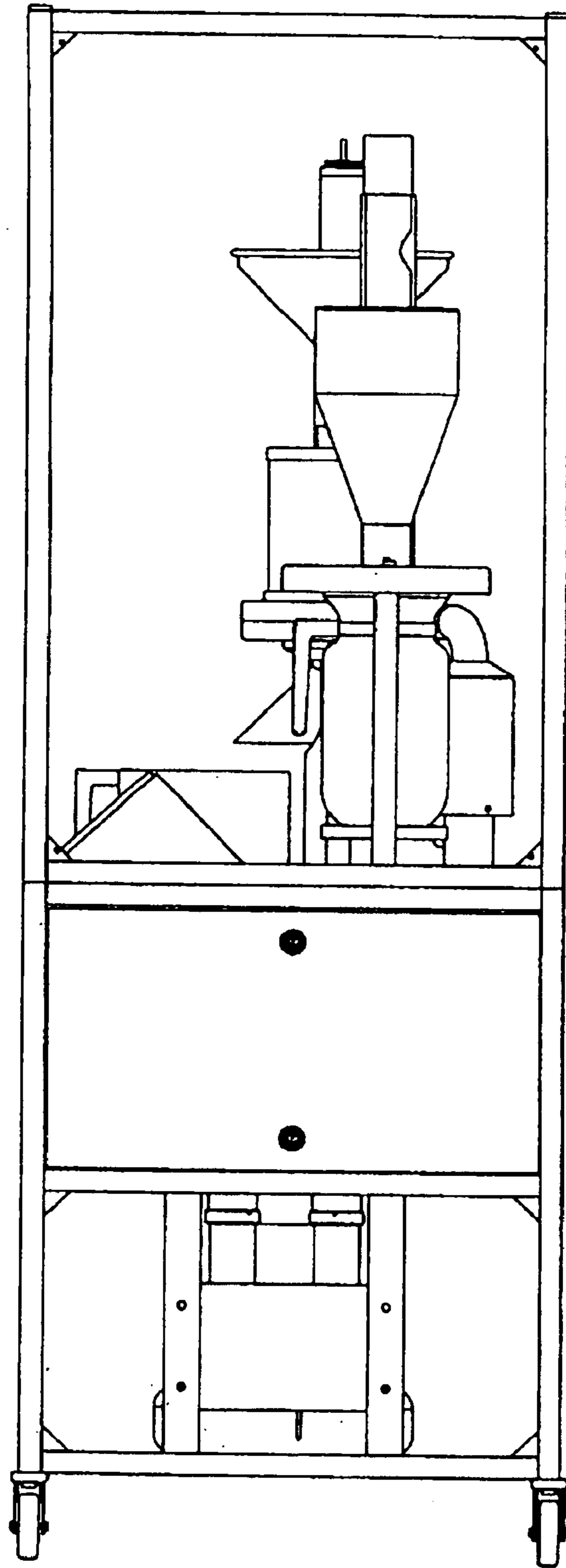


Fig. 5



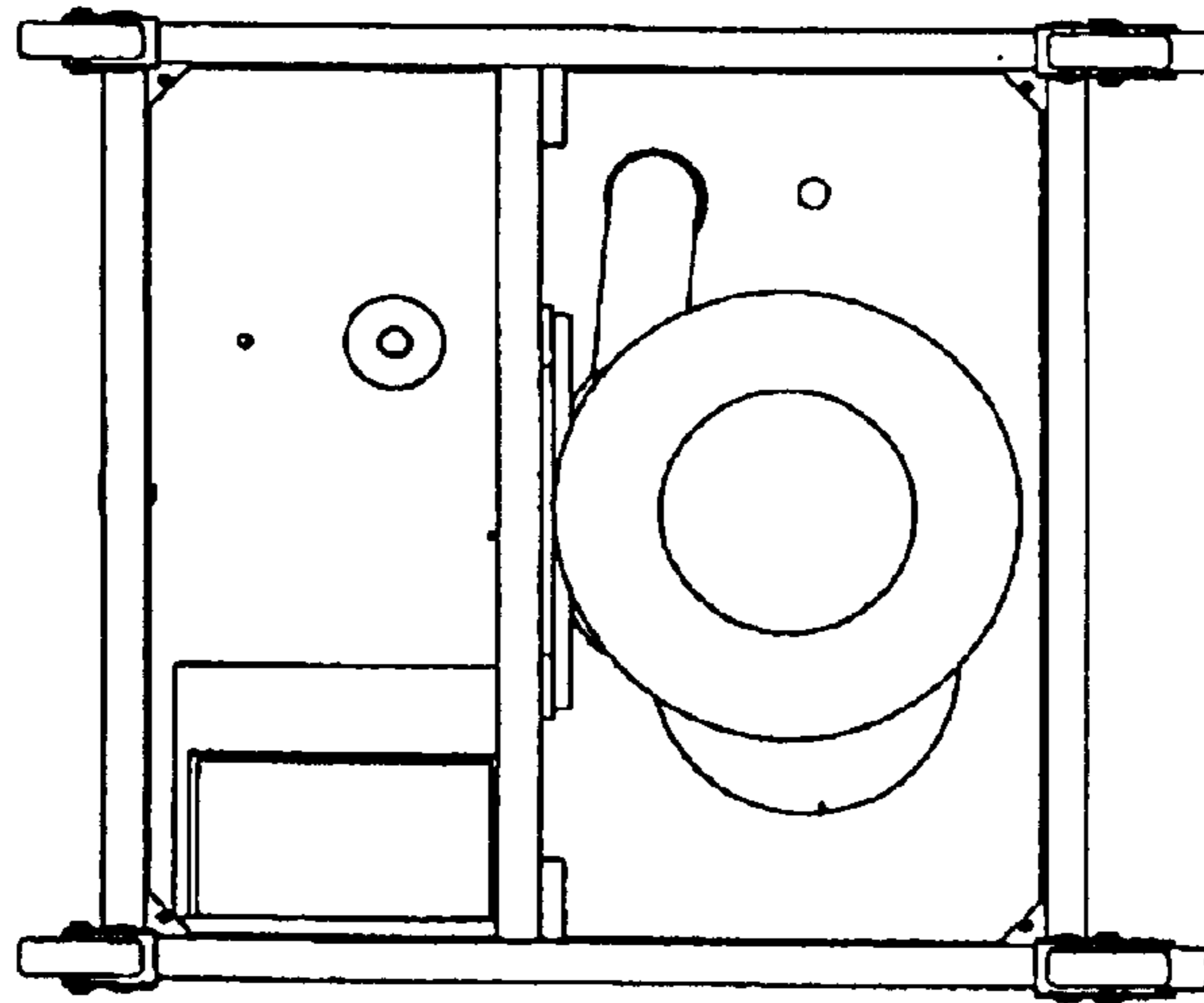


Fig. 6

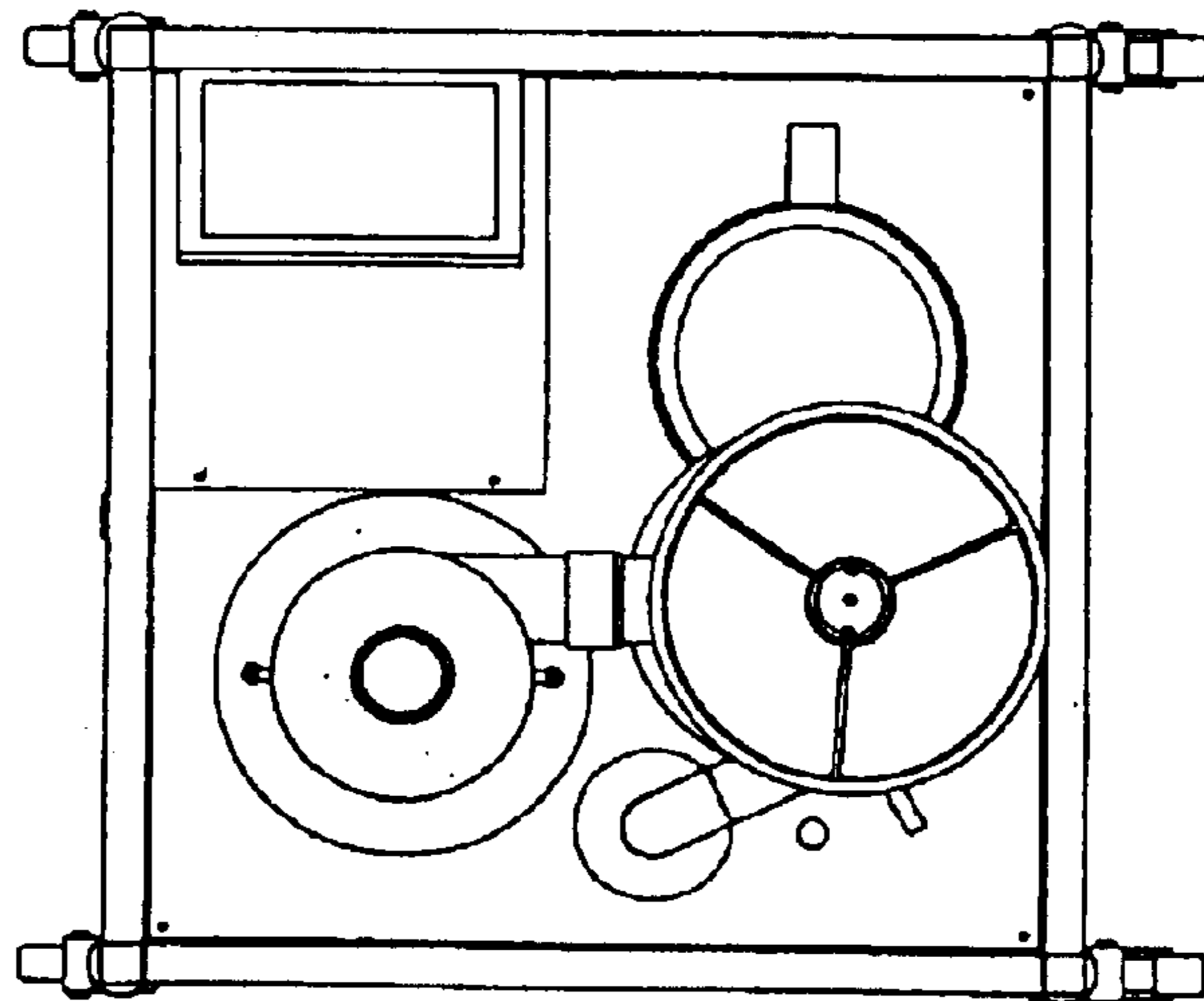


Fig. 7