



US00D530139S

(12) **United States Design Patent**  
**Lin**

(10) **Patent No.:** **US D530,139 S**  
(45) **Date of Patent:** **\*\* Oct. 17, 2006**

(54) **COFFEE MAKER**

(75) Inventor: **Yu-Yuan Lin**, Tainan (TW)

(73) Assignee: **Uni-Splendor Corp.**, Tainan (TW)

(\*\*) Term: **14 Years**

(21) Appl. No.: **29/238,684**

(22) Filed: **Sep. 19, 2005**

(51) **LOC (8) Cl.** ..... **07-01**

(52) **U.S. Cl.** ..... **D7/309; D7/311**

(58) **Field of Classification Search** ..... D7/300,  
D7/306, 309, 310, 311; 99/304, 281, 286,  
99/279, 282

See application file for complete search history.

(56) **References Cited**

**U.S. PATENT DOCUMENTS**

D350,667 S	*	9/1994	Saltet	.....	D7/309
D386,039 S	*	11/1997	Dingelstad	.....	D7/309
D407,596 S	*	4/1999	Hsu	.....	D7/309
D408,208 S	*	4/1999	Hsu	.....	D7/309
D408,680 S	*	4/1999	Lin	.....	D7/309
D444,985 S	*	7/2001	Wu	.....	D7/309
D447,903 S	*	9/2001	Lin	.....	D7/309
6,298,770 B1	*	10/2001	Blankenship et al.	.....	99/304

D450,520 S	*	11/2001	Saltet	.....	D7/309
D454,466 S	*	3/2002	Hong	.....	D7/309
D475,567 S	*	6/2003	Hsu	.....	D7/309
D479,087 S	*	9/2003	Yao	.....	D7/309
D479,088 S	*	9/2003	Yao	.....	D7/309
D485,728 S	*	1/2004	Sham et al.	.....	D7/309
D488,663 S	*	4/2004	Price et al.	.....	D7/309
6,786,133 B1	*	9/2004	Cheng	.....	99/280

\* cited by examiner

*Primary Examiner*—M. N. Pandozzi

(74) *Attorney, Agent, or Firm*—Alan D. Kamrath; Nikolai & Mersereau, P.A.

(57) **CLAIM**

The ornamental design for a coffee maker, as shown and described.

**DESCRIPTION**

FIG. 1 is a perspective view of a coffee maker showing my new design;

FIG. 2 is a front side elevational view thereof;

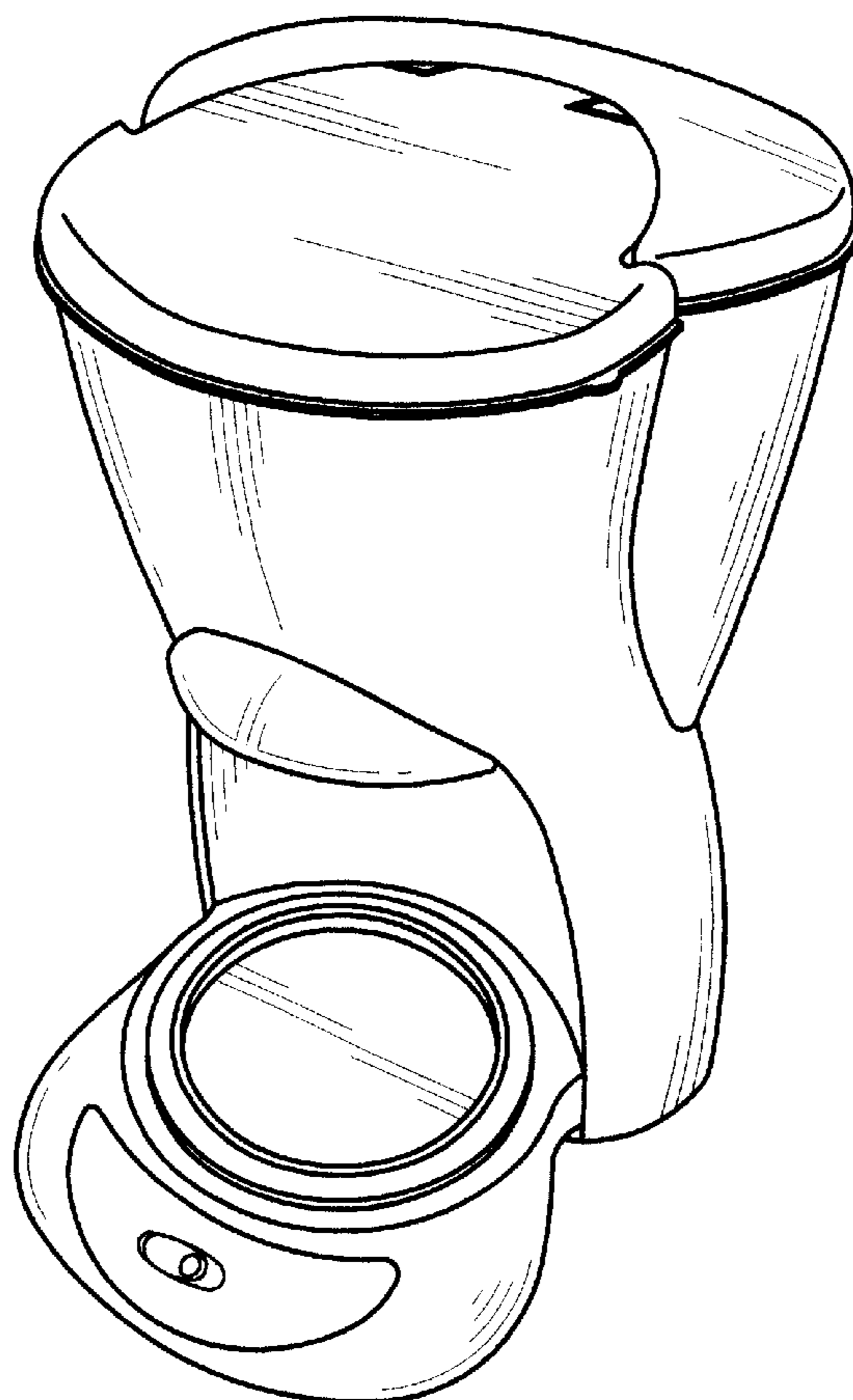
FIG. 3 is a rear side elevational view thereof;

FIG. 4 is a left side elevational view thereof;

FIG. 5 is a right side view thereof; and,

FIG. 6 is a top plan view thereof.

**1 Claim, 4 Drawing Sheets**



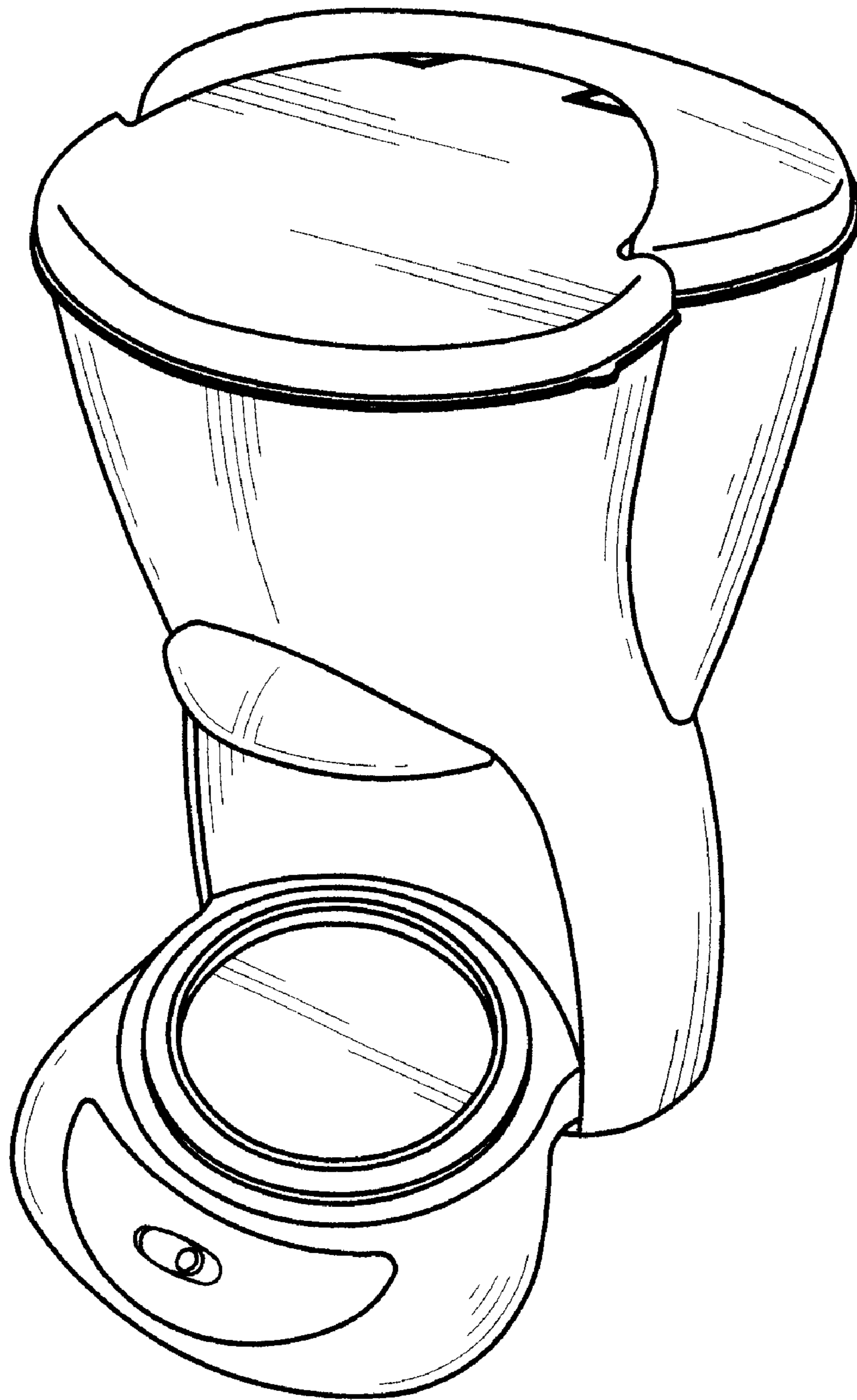


FIG. 1

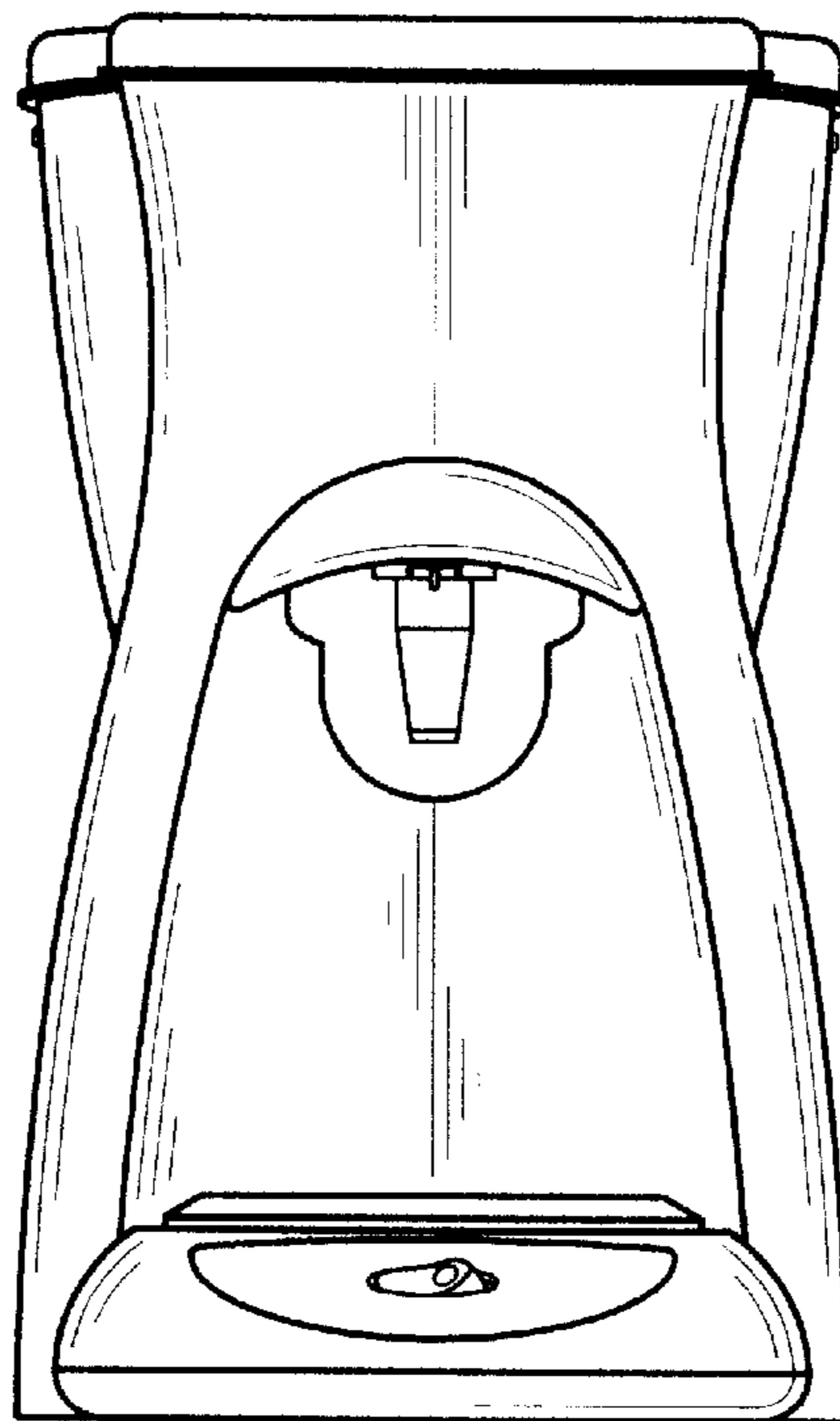


FIG. 2

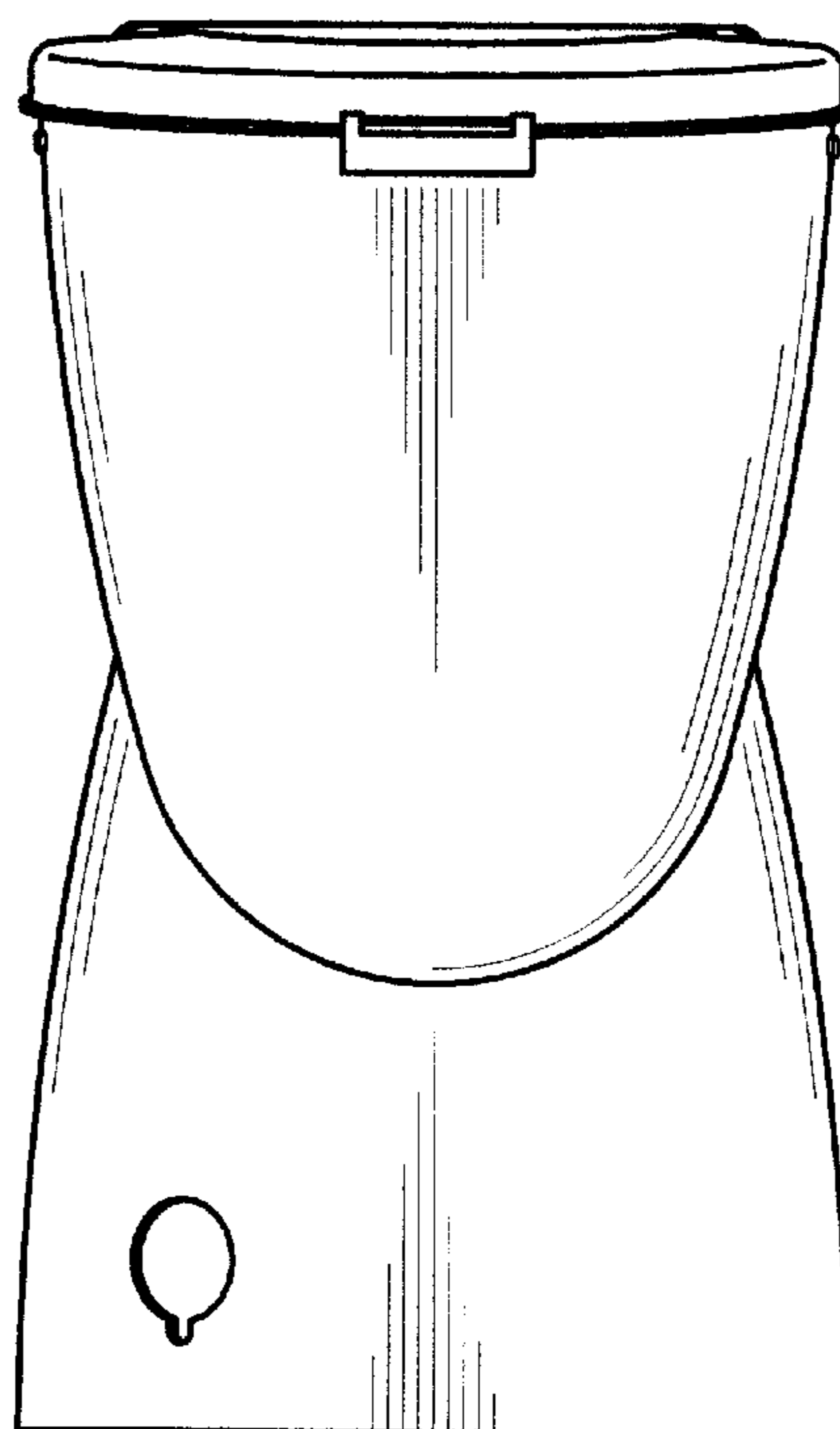


FIG. 3

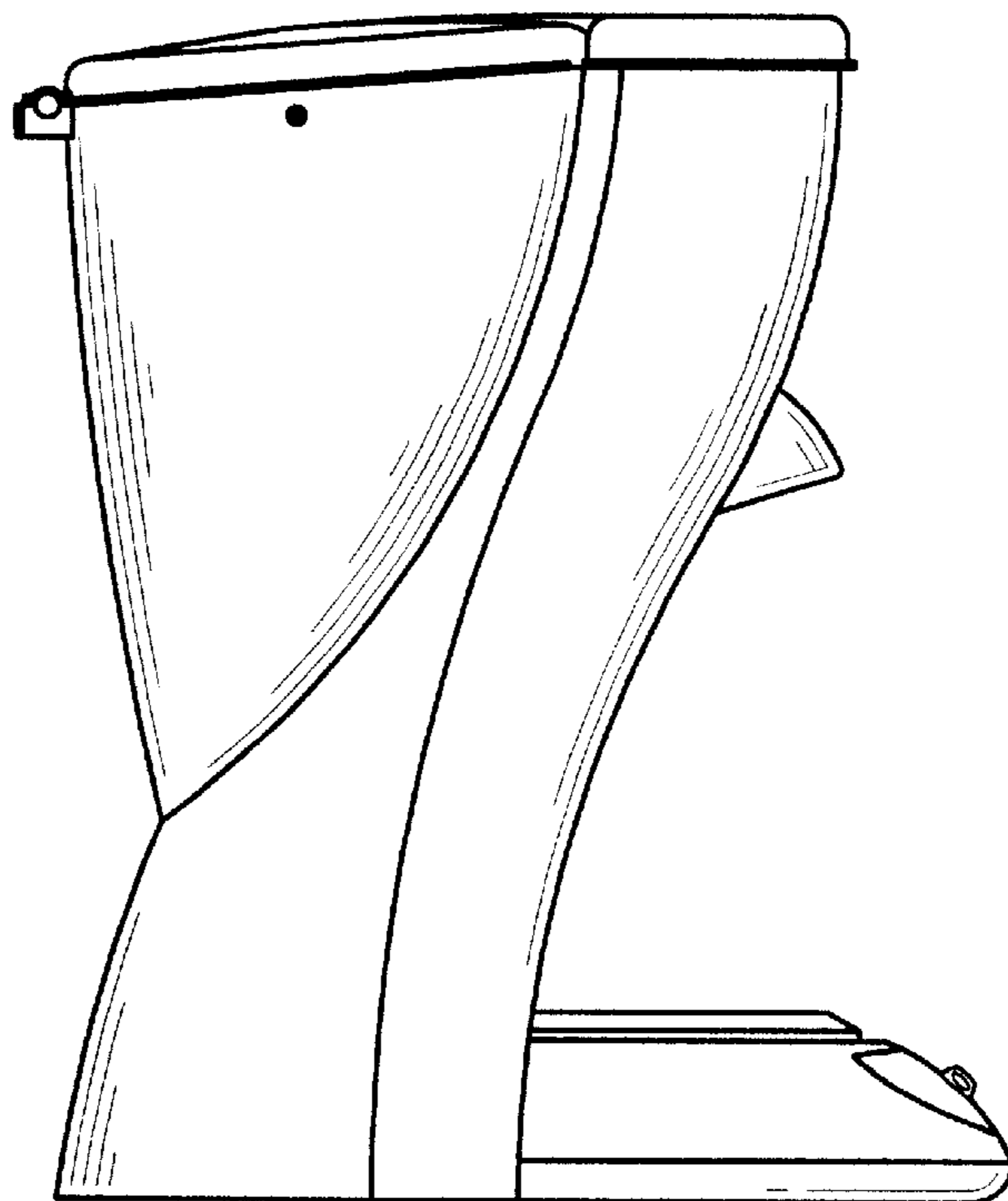


FIG. 4

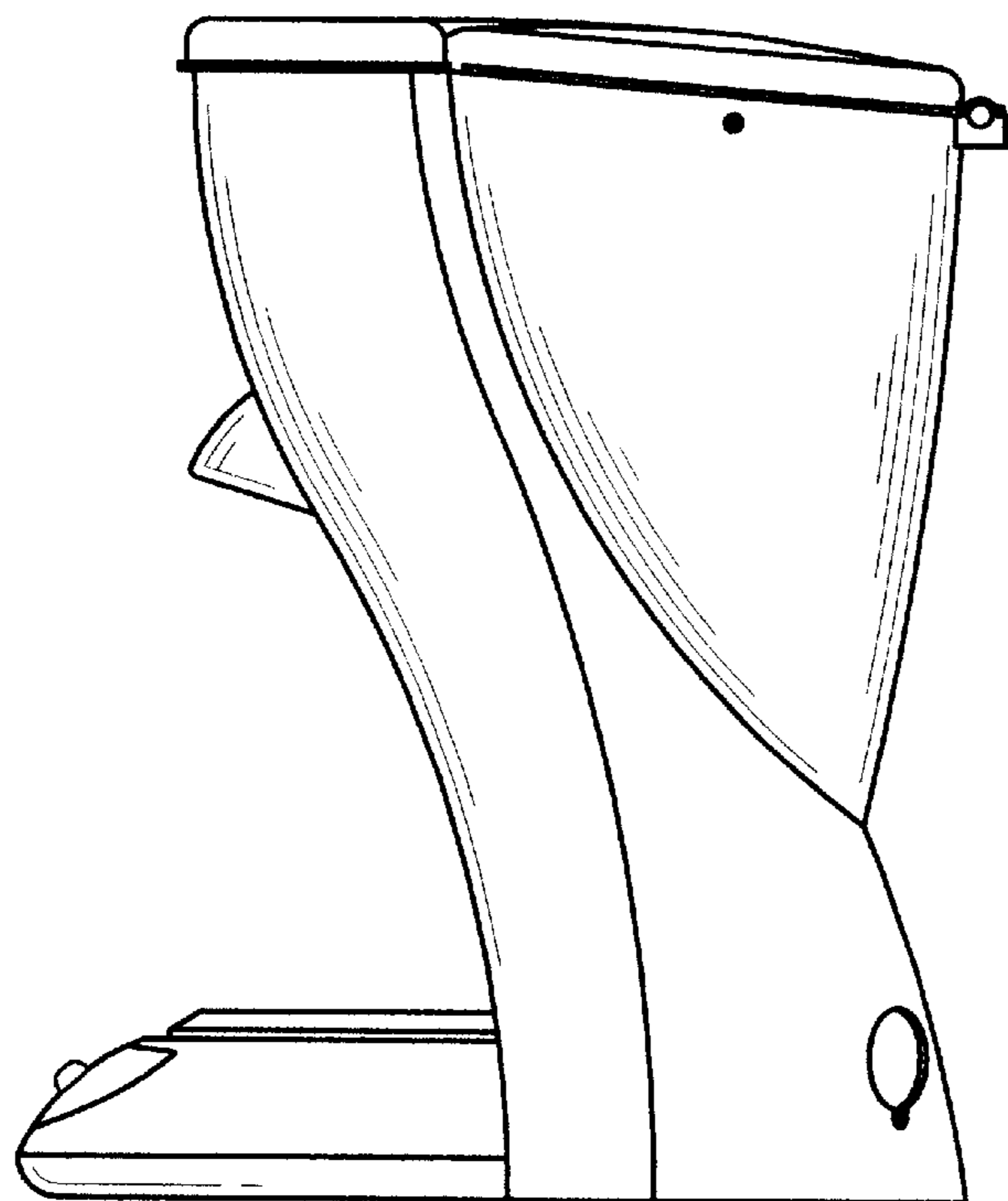


FIG. 5

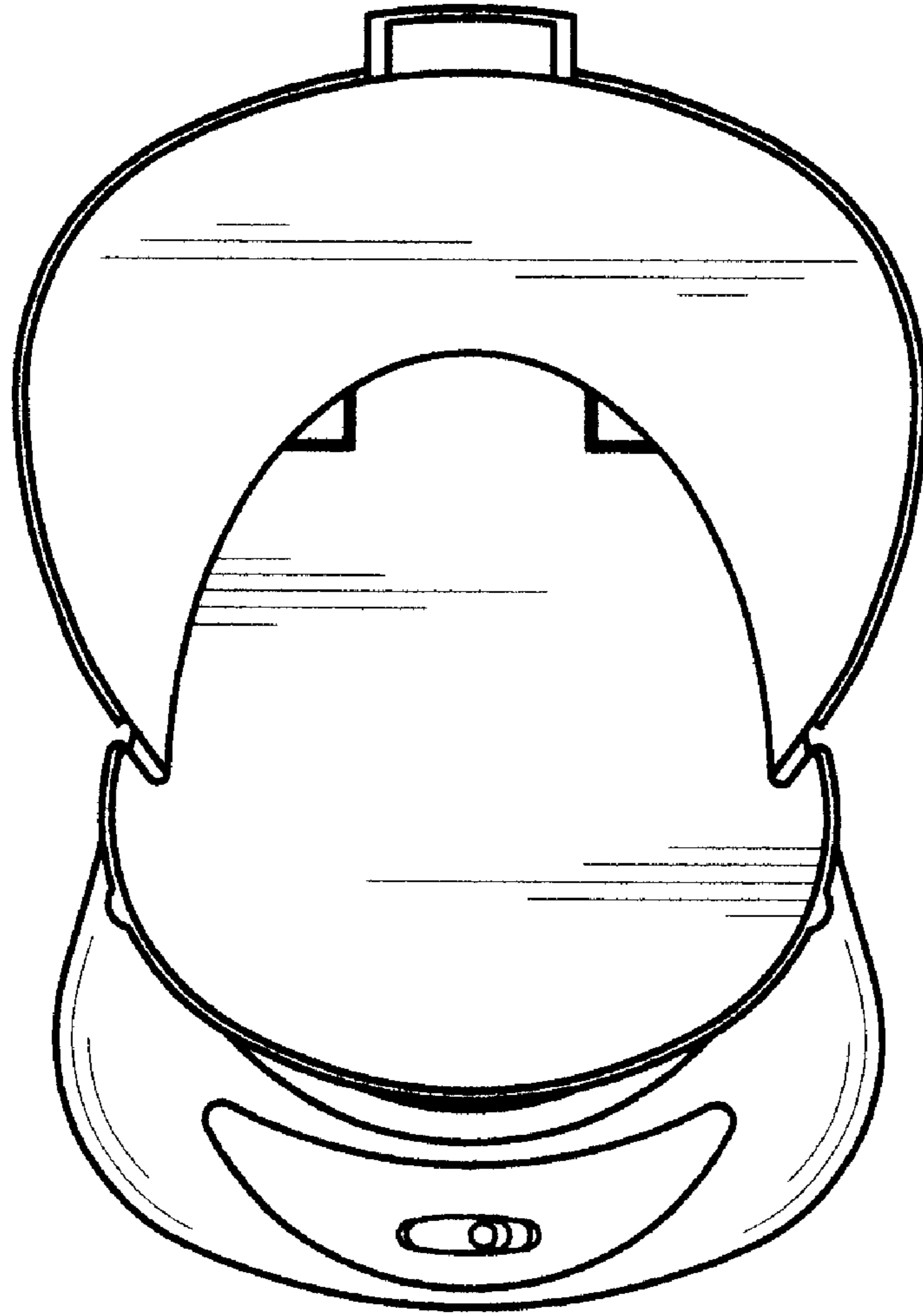


FIG. 6