



US00D530137S

(12) **United States Design Patent**
Wilgus et al.

(10) **Patent No.:** **US D530,137 S**
(45) **Date of Patent:** **** Oct. 17, 2006**

(54) **BEVERAGE JUG**
(75) Inventors: **Mitchell L. Wilgus**, Andover, KS (US);
Timothy M. Holub, Cheney, KS (US)
(73) Assignee: **The Coleman Company, Inc.**, Wichita,
KS (US)
(**) Term: **14 Years**
(21) Appl. No.: **29/239,251**
(22) Filed: **Sep. 28, 2005**

2,963,188 A * 12/1960 Palermo 215/12.2
3,059,452 A 10/1962 Griffin
3,406,532 A 10/1968 Rownd et al.
3,840,153 A 10/1974 Devlin
D236,315 S * 8/1975 Russo D7/605
4,319,629 A 3/1982 Hotta
4,505,252 A 3/1985 Wada et al.
4,531,381 A 7/1985 Toro et al.
4,531,383 A 7/1985 Zimmermann
4,741,176 A 5/1988 Johnson et al.
4,764,393 A 8/1988 Henger et al.
4,843,836 A 7/1989 Childers
4,878,363 A 11/1989 Wells, Sr. et al.

(51) **LOC (8) Cl.** **07-01**
(52) **U.S. Cl.** **D7/300; D7/605**
(58) **Field of Classification Search** D7/300,
D7/312, 313, 306, 605-608; 220/737-740,
220/902, 903, 592.16, 592.17, 592.22, 592.23,
220/592.27; 215/12.1, 12.2, 13.1, 6; 222/185.1
See application file for complete search history.

(Continued)

OTHER PUBLICATIONS

Igloo Products Corporation, *Igloo 2004 Catalog*, 11 pp. ,
Houston Texas (2003).
InGear Sports, "Portable Jugs: 1 & 3 Quart Sizes," *Frozn
Cold to the Core Catalog*, 1 p., Buffalo Grove, Illinois
(2004).
InGear Sports, "Portable Jugs: Compression Wrap," *Frozn
Cold to the Catalog*, 1 p., Buffalo Grove, Illinois (2004).

(56) **References Cited**

U.S. PATENT DOCUMENTS

48,941 A 7/1865 Hinkel
206,128 A 7/1878 Phillips
544,219 A 8/1895 Godet
685,063 A 10/1901 Sauer
1,030,325 A 8/1912 Peoples et al.
1,369,367 A 2/1921 Thomson
1,471,449 A 10/1923 Cahill
1,519,034 A 12/1924 Livingston
1,535,927 A 4/1925 Look
1,572,242 A 2/1926 McLaughlin
1,576,912 A 3/1926 James
1,594,015 A 7/1926 McLaughlin
1,758,008 A 5/1930 Mock
1,954,369 A 4/1934 Solomon
2,016,514 A 10/1935 Putnam
2,120,201 A 6/1938 Fisk
2,144,177 A 1/1939 Blomquist
2,261,276 A 11/1941 Patterson
2,288,044 A 8/1942 Stemme
2,468,661 A 4/1949 Gladstone
2,526,165 A 10/1950 Smith
2,767,583 A 10/1956 Picascia

Primary Examiner—Terry A. Wallace
(74) *Attorney, Agent, or Firm*—Leydig, Voit & Mayer, Ltd.

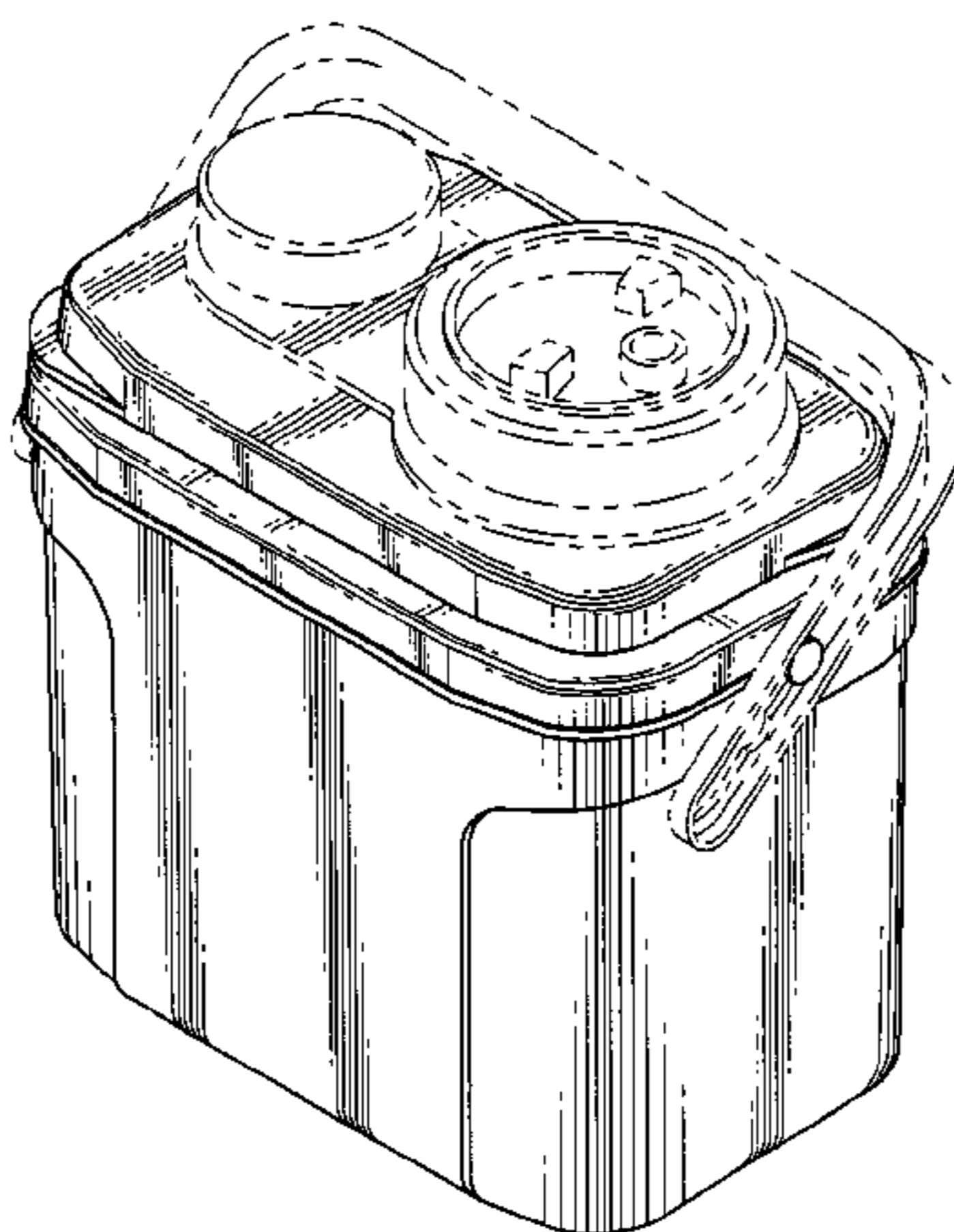
(57) **CLAIM**

The ornamental design for a beverage jug, as shown and
described.

DESCRIPTION

FIG. 1 is a front side perspective view of our new beverage
jug;
FIG. 2 is a front elevation view thereof;
FIG. 3 is a rear elevation view thereof;
FIG. 4 is a left elevation view thereof;
FIG. 5 is a right elevation view thereof;
FIG. 6 is a bottom plan view thereof; and,
FIG. 7 is a top plan view thereof.
The broken line showing is for illustrative purposes only and
forms no part of the claimed design.

1 Claim, 3 Drawing Sheets



US D530,137 S

Page 2

U.S. PATENT DOCUMENTS

4,886,176	A	12/1989	Steakley				
4,981,022	A	1/1991	Snyder				
5,044,173	A	9/1991	Cheng				
5,129,238	A	7/1992	Schwartz et al.				
5,148,688	A	9/1992	Pimm et al.				
5,189,892	A	3/1993	Roberts				
5,350,081	A	* 9/1994	Graham	220/737			
5,456,090	A	10/1995	McCoy				
D408,225	S	* 4/1999	Hodosh	D7/605			
D417,126	S	* 11/1999	Arnfelt	D7/605			
6,295,831	B1	10/2001	Watson				
D451,766	S	* 12/2001	King et al.	D7/605			
6,324,864	B1	12/2001	Stewart et al.				
6,415,624	B1	7/2002	Connors et al.				
6,474,096	B1	11/2002	de la Guardia				
6,494,056	B1	12/2002	Roth et al.				
6,502,418	B1	1/2003	Holley, Jr.				
D472,563	S	4/2003	Roth et al.				
6,584,800	B1	7/2003	Roth et al.				
6,758,058	B1	7/2004	Citrynell et al.				
2004/0065109	A1	4/2004	Metcalf				

* cited by examiner

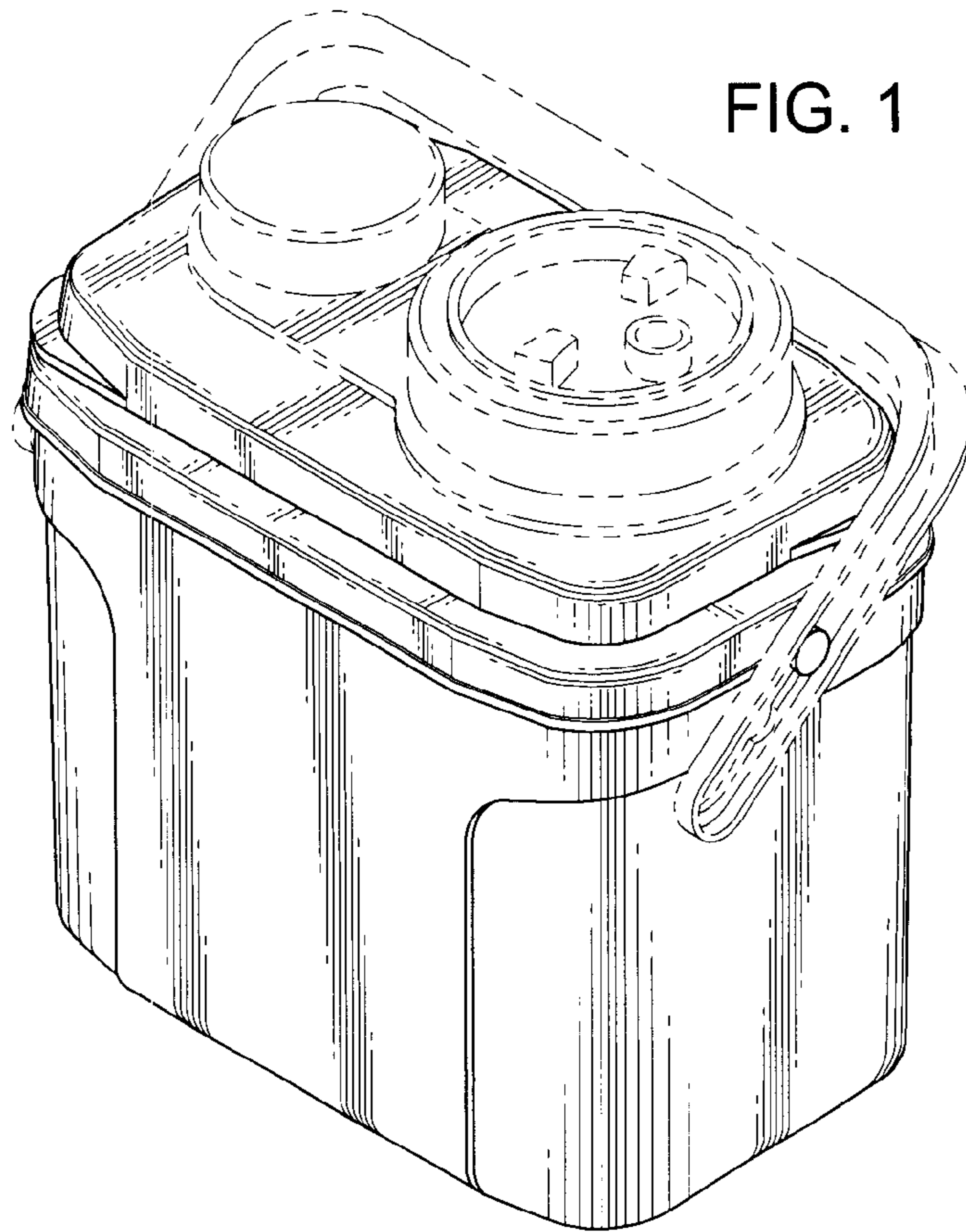


FIG. 1

FIG. 4

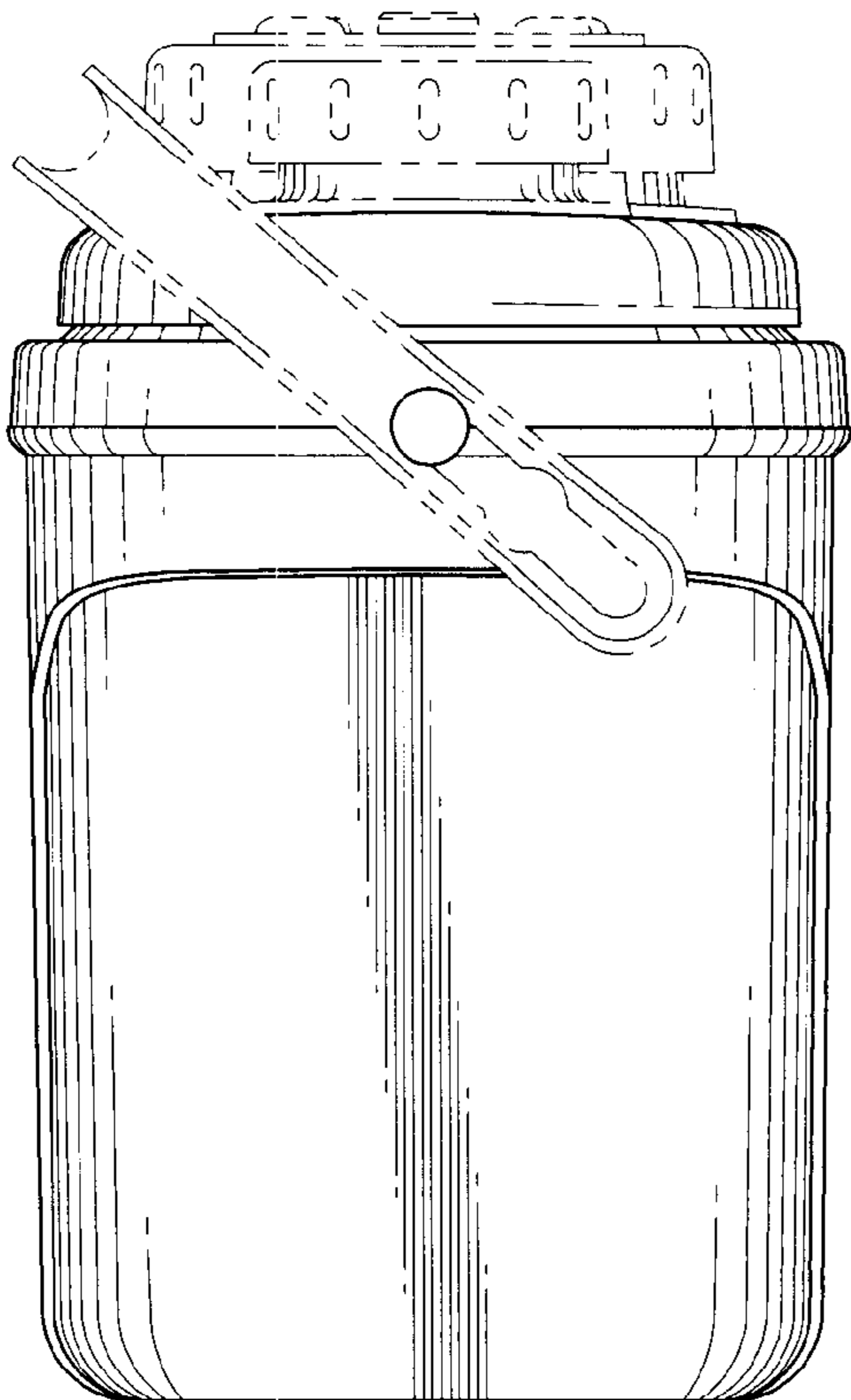


FIG. 5

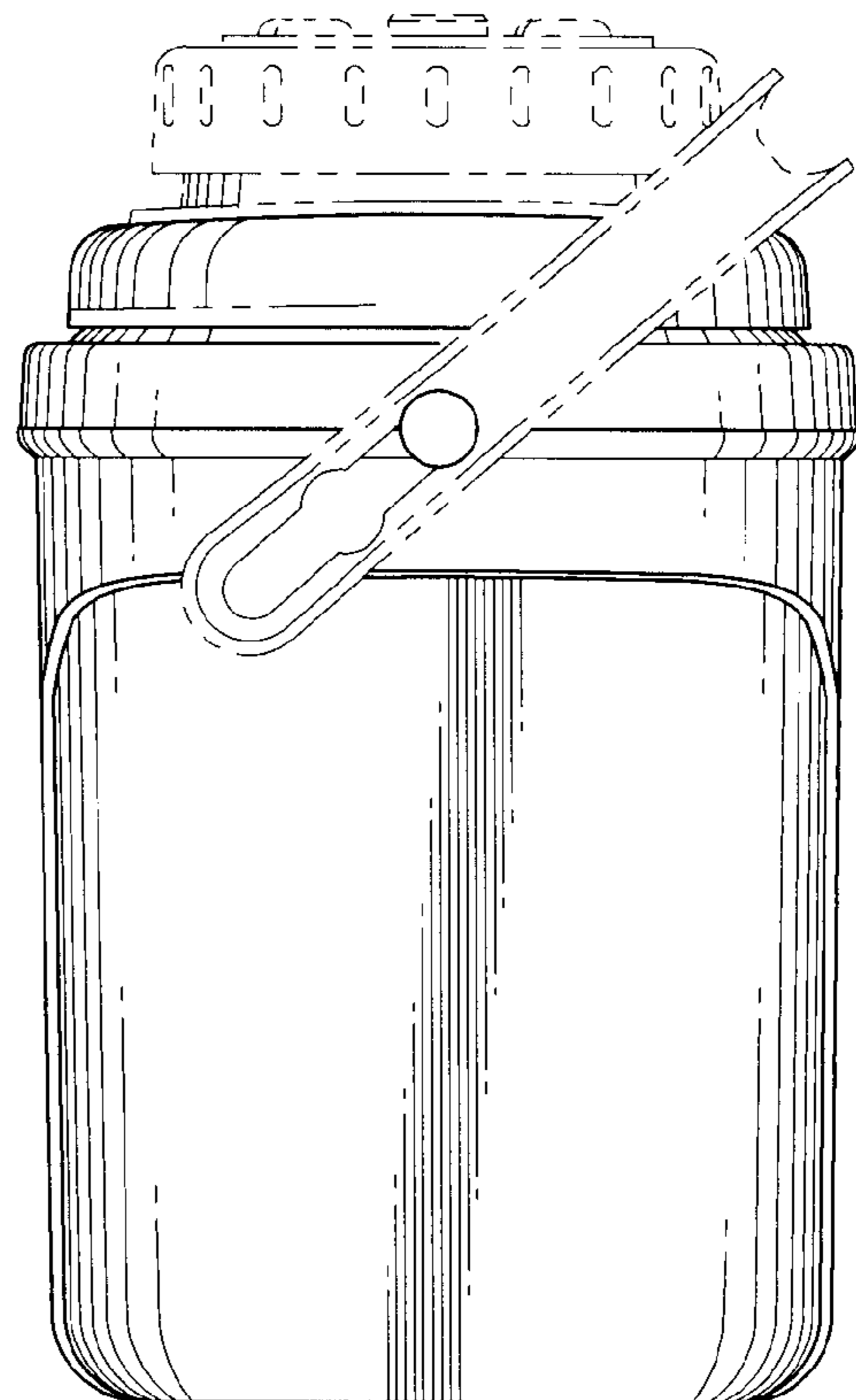


FIG. 2

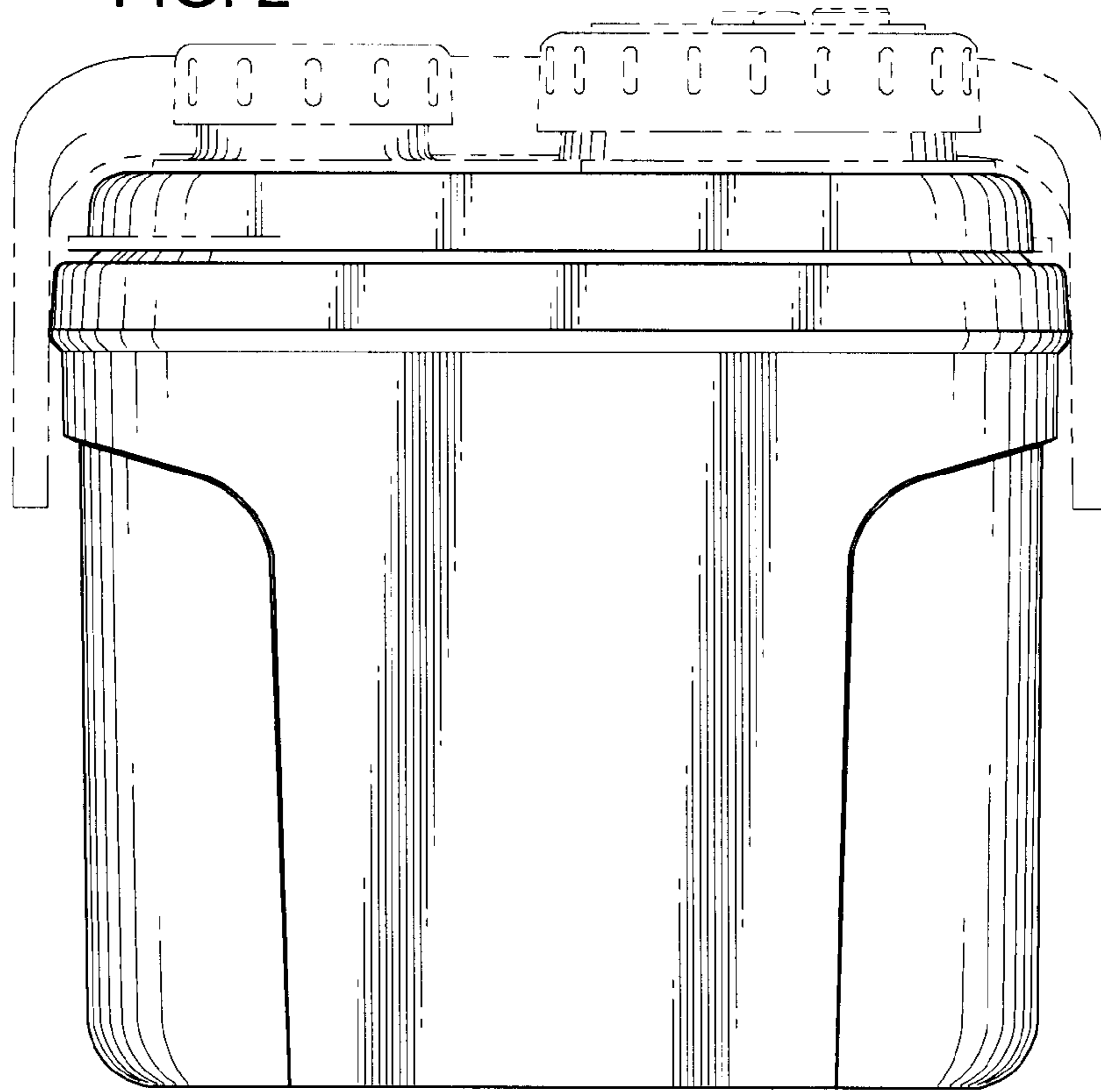


FIG. 3

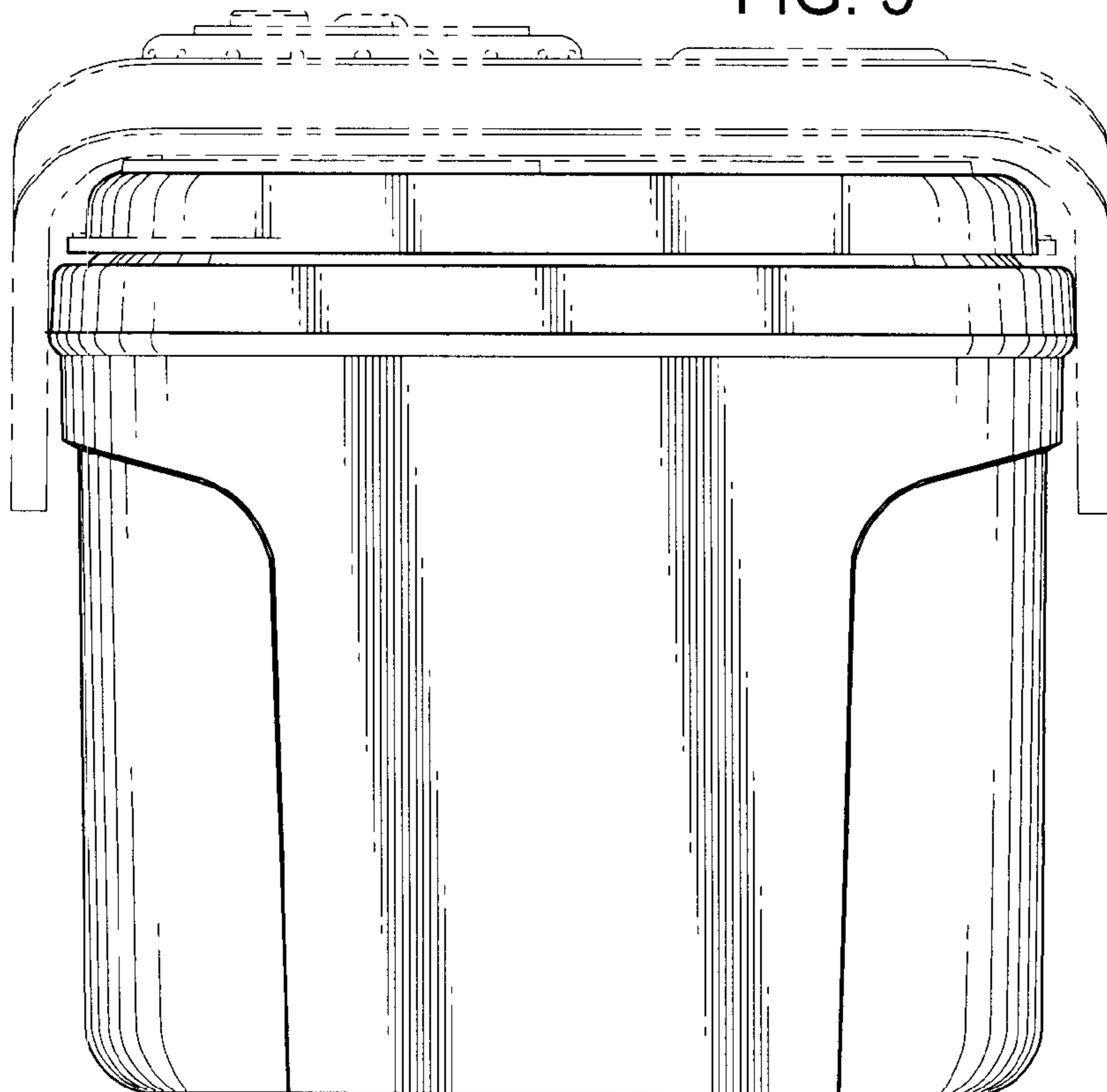


FIG. 6

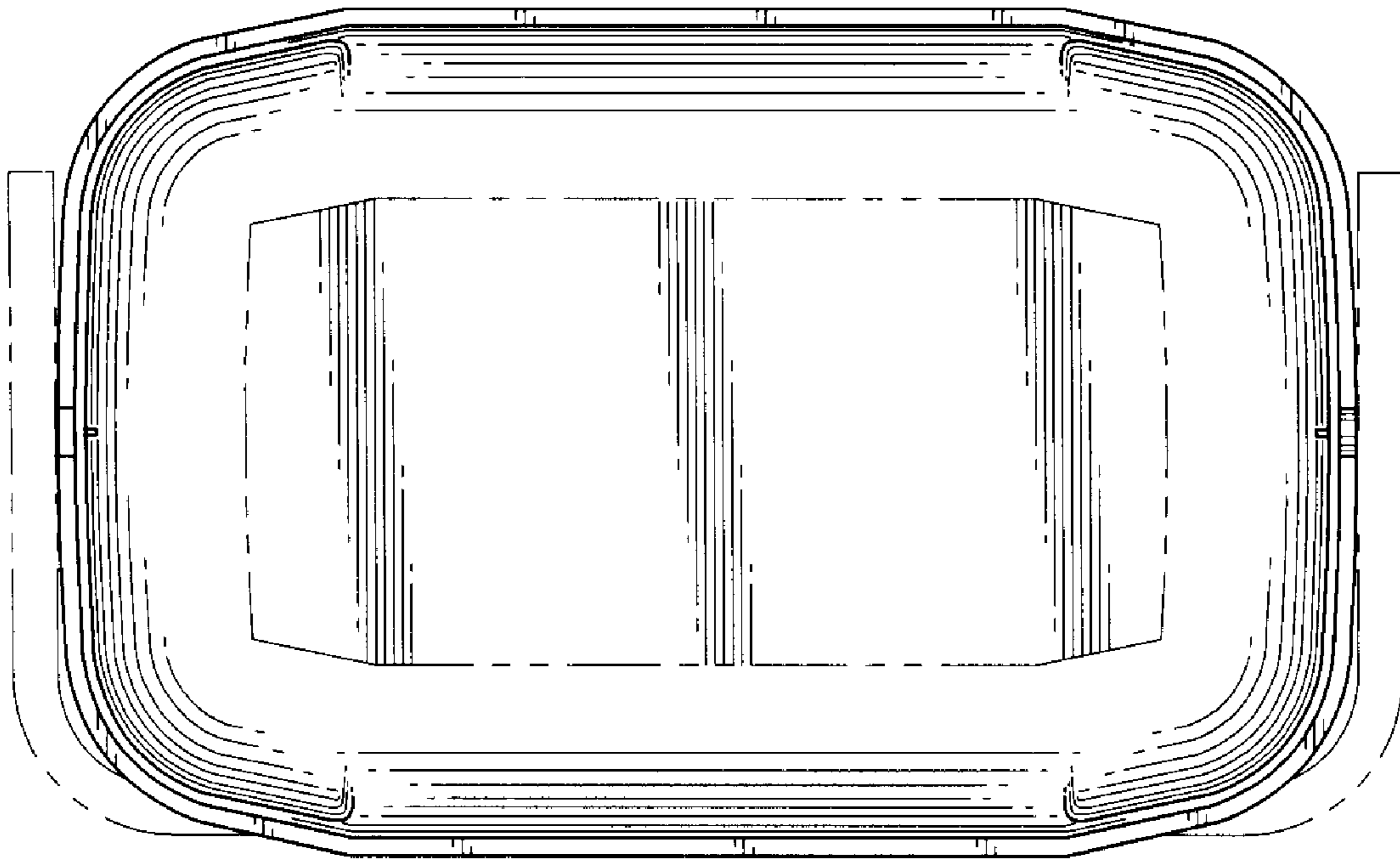


FIG. 7

