



US00D530132S

(12) **United States Design Patent**
Ivankovic

(10) **Patent No.:** **US D530,132 S**

(45) **Date of Patent:** **** Oct. 17, 2006**

(54) **DRAPERY ROD**

(75) Inventor: **Michelle Ivankovic**, Toronto (CA)

(73) Assignee: **Umbra Inc.**, Buffalo, NY (US)

(**) Term: **14 Years**

(21) Appl. No.: **29/245,833**

(22) Filed: **Dec. 29, 2005**

(51) **LOC (8) Cl.** **06-10**

(52) **U.S. Cl.** **D6/580**; D8/376

(58) **Field of Classification Search** D8/376;
D6/578, 579, 580; 160/38, 39; 248/261-265;
211/105.1-105.3

See application file for complete search history.

(56) **References Cited**

U.S. PATENT DOCUMENTS

D324,328 S	*	3/1992	Pagan	D8/376
D368,848 S	*	4/1996	Mulder	D8/363
D391,476 S	*	3/1998	Gourlay	D8/376
D451,003 S	*	11/2001	Proell-Immekus	D8/376

D520,348 S	*	5/2006	Poulet	D8/376
2005/0016697 A1	*	1/2005	Griggs	160/330

* cited by examiner

Primary Examiner—Holly Baynham

Assistant Examiner—Cynthia M. Chin

(74) *Attorney, Agent, or Firm*—Simpson & Simpson, PLLC

(57) **CLAIM**

The ornamental design for a drapery rod, as shown and described.

DESCRIPTION

FIG. 1 is a perspective view of the drapery rod of the invention;

FIG. 2 is a top plan view of the drapery rod;

FIG. 3 is a left side elevational view of the drapery rod;

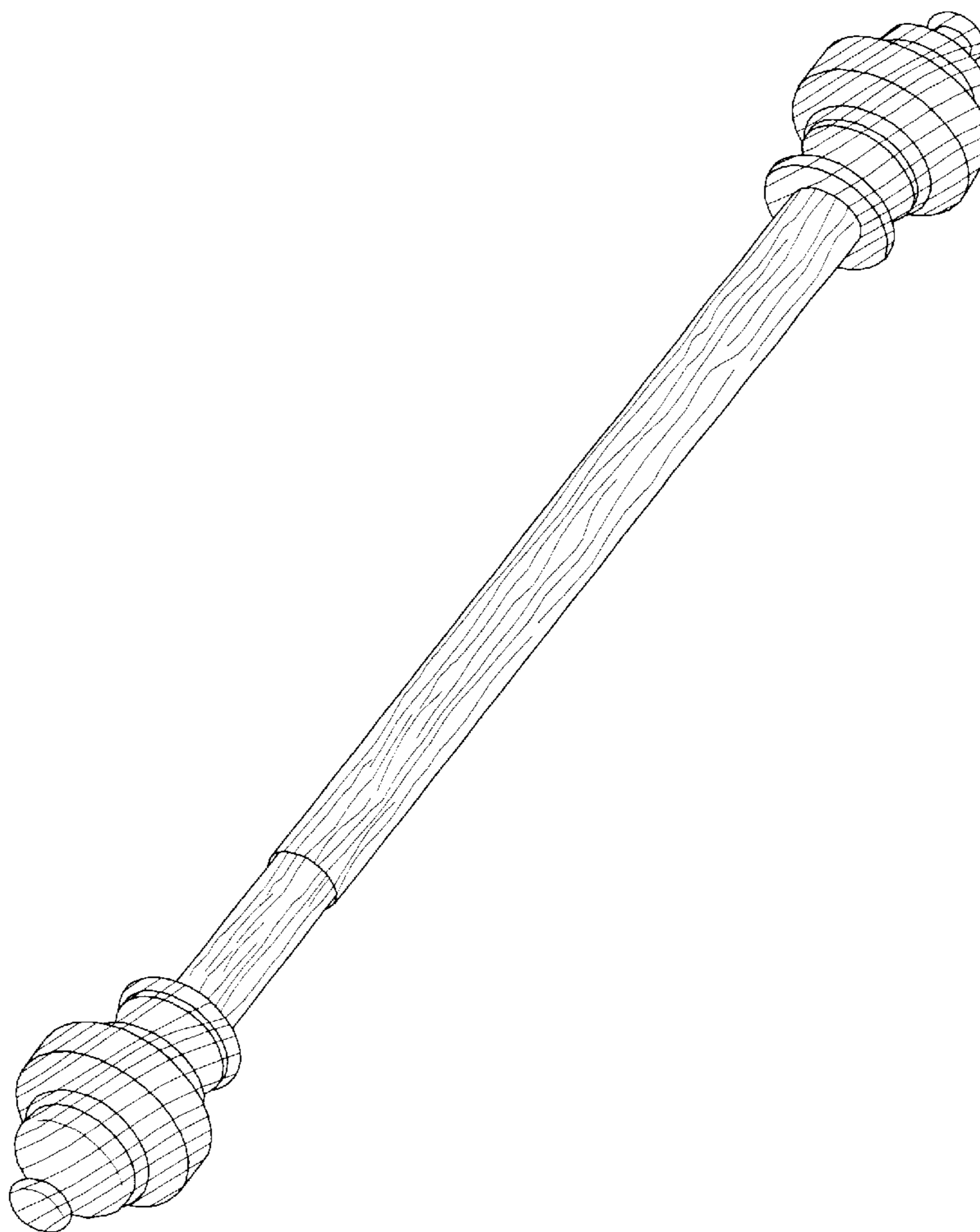
FIG. 4 is a front elevational view of the drapery rod;

FIG. 5 is a back elevational view of the drapery rod;

FIG. 6 is a right side elevational view of the drapery rod; and,

FIG. 7 is a bottom plan view of the drapery rod.

1 Claim, 4 Drawing Sheets



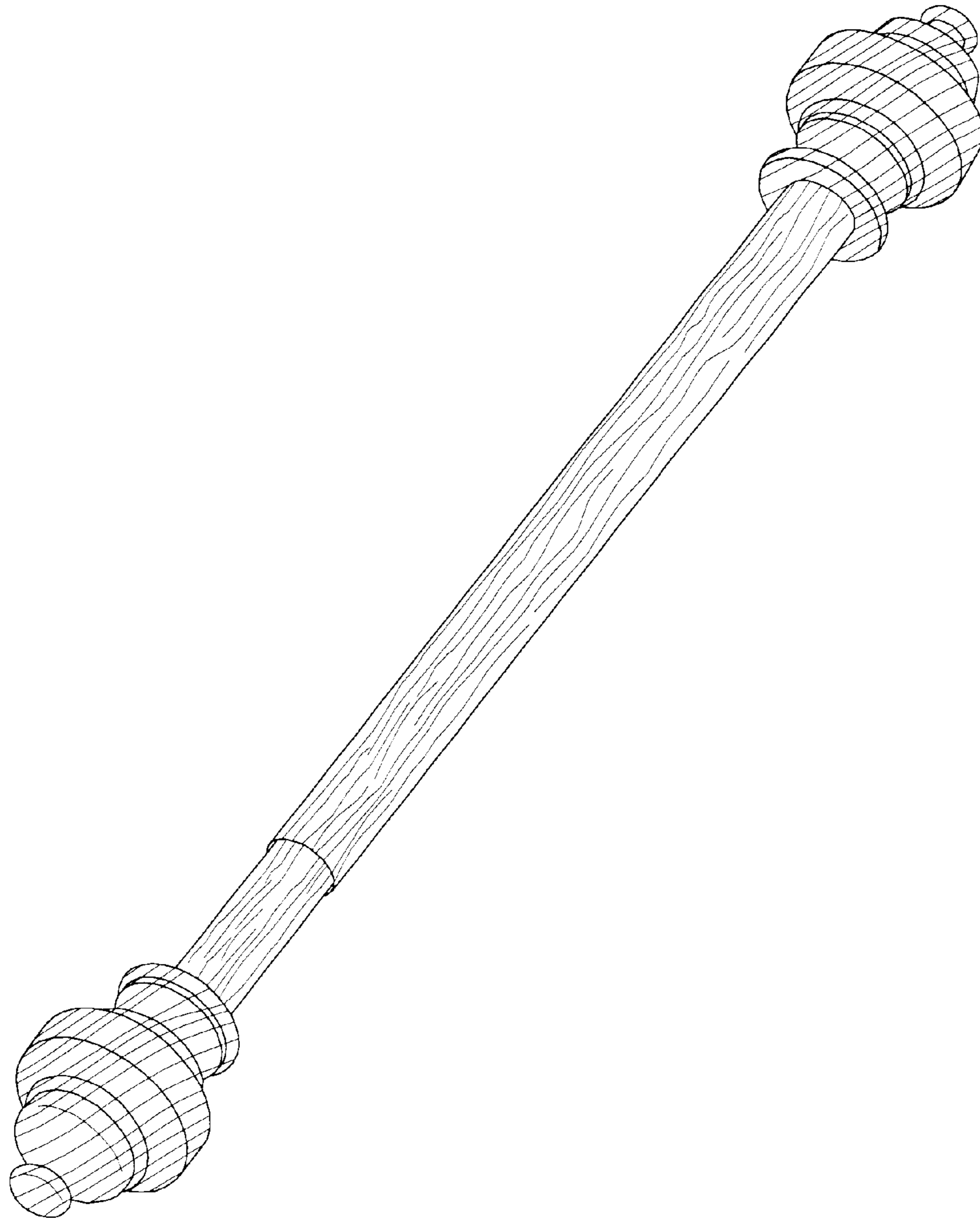


FIG. 1

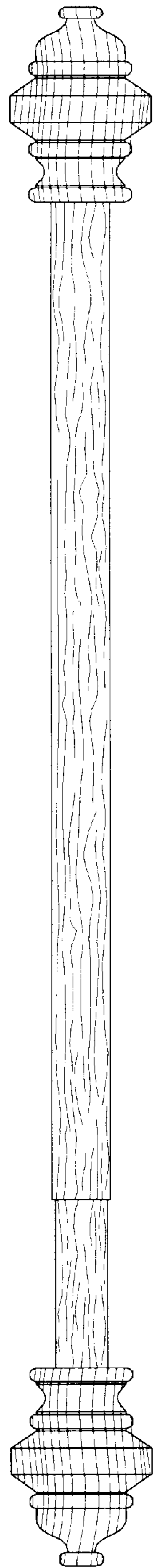


FIG. 2

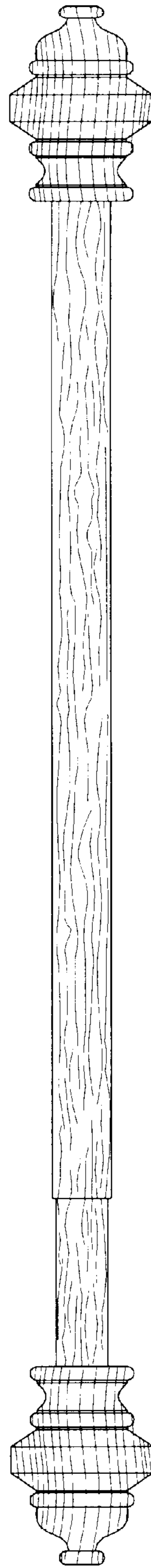


FIG. 3

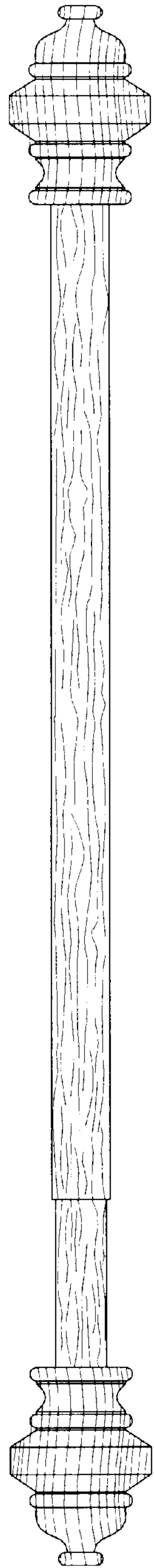


FIG. 4

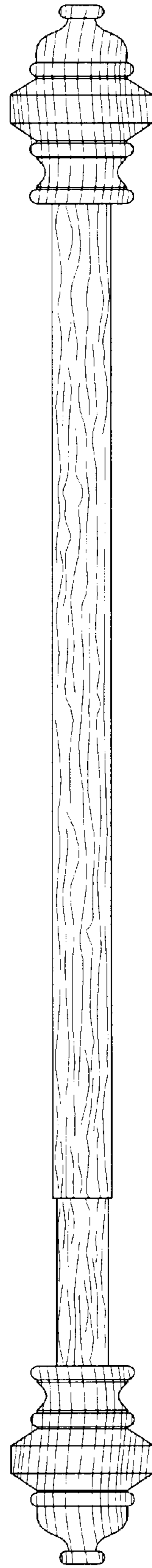


FIG. 5

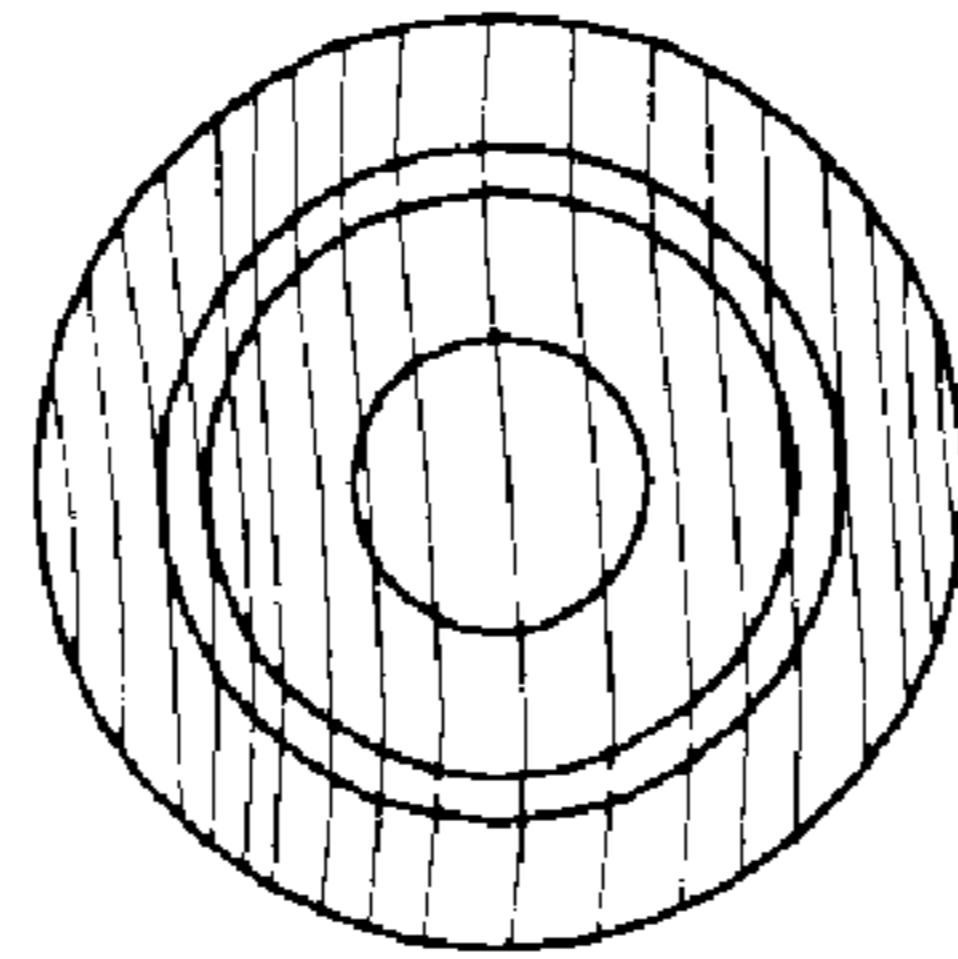


FIG. 6

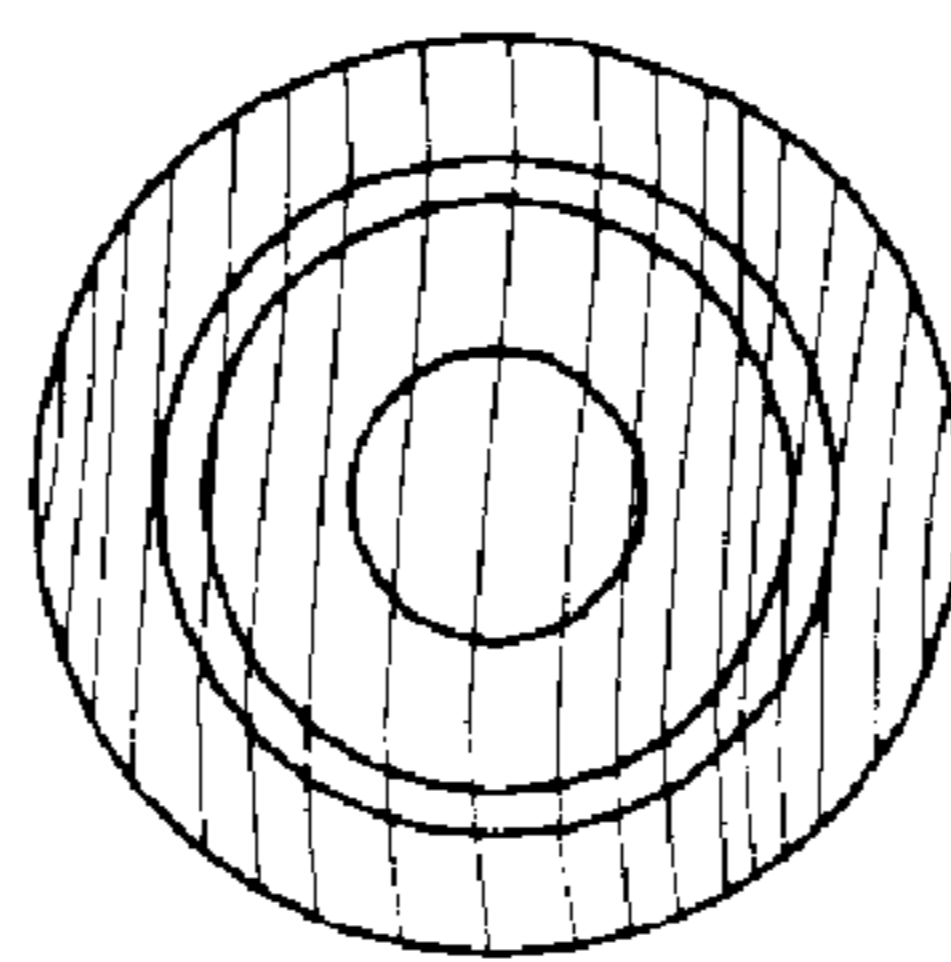


FIG. 7