



US00D530128S

(12) **United States Design Patent** (10) **Patent No.:** **US D530,128 S**
Doran (45) **Date of Patent:** **** Oct. 17, 2006**

(54) **CONTAINER STORAGE ORGANIZER**

(76) Inventor: **Gerald H. Doran**, 133 Ballad Ave.,
Rochester, NY (US) 14626

(**) Term: **14 Years**

(21) Appl. No.: **29/229,735**

(22) Filed: **May 11, 2005**

Related U.S. Application Data

(62) Division of application No. 29/189,096, filed on Aug. 28,
2003, now Pat. No. Des. 509,691.

(51) **LOC (8) Cl.** **06-04**

(52) **U.S. Cl.** **D6/571**

(58) **Field of Classification Search** D6/553,
D6/567, 569-571; D3/304; 211/13.1, 86.01,
211/87.01; 221/33-34, 45, 92; 222/173; 248/309.1,
248/312, 314

See application file for complete search history.

(56) **References Cited**

U.S. PATENT DOCUMENTS

1,952,466	A	3/1934	Sjodin et al.	
3,307,709	A	3/1967	Hulterstrum	
4,068,760	A	1/1978	Johnson, Jr.	
4,378,889	A	4/1983	Lebowitz	
D286,968	S	12/1986	Gecchelin	
4,844,249	A	7/1989	Coulombe	
4,899,886	A *	2/1990	Johansen	D6/571
4,932,533	A	6/1990	Collier	
5,031,778	A	7/1991	Edgecombe	
D324,883	S *	3/1992	Demirjian	D6/571
5,147,038	A	9/1992	Pergeau	
5,224,596	A	7/1993	Kruger	
D345,071	S *	3/1994	Gould	D6/571

5,291,998	A	3/1994	Fiebig	
D392,482	S *	3/1998	Seenath	D6/515
D437,167	S *	2/2001	Hardaway	D6/570
D437,719	S *	2/2001	Dicellis	D6/571
6,349,820	B1	2/2002	Kelley et al.	
D468,162	S	1/2003	Martin	
D468,591	S	1/2003	Lillelund et al.	
6,502,711	B1	1/2003	McRae	
D469,926	S	2/2003	Petrucelli	

* cited by examiner

Primary Examiner—Brian N Vinson

(74) *Attorney, Agent, or Firm*—Kenneth J. Lukacher;
Martin Lukacher

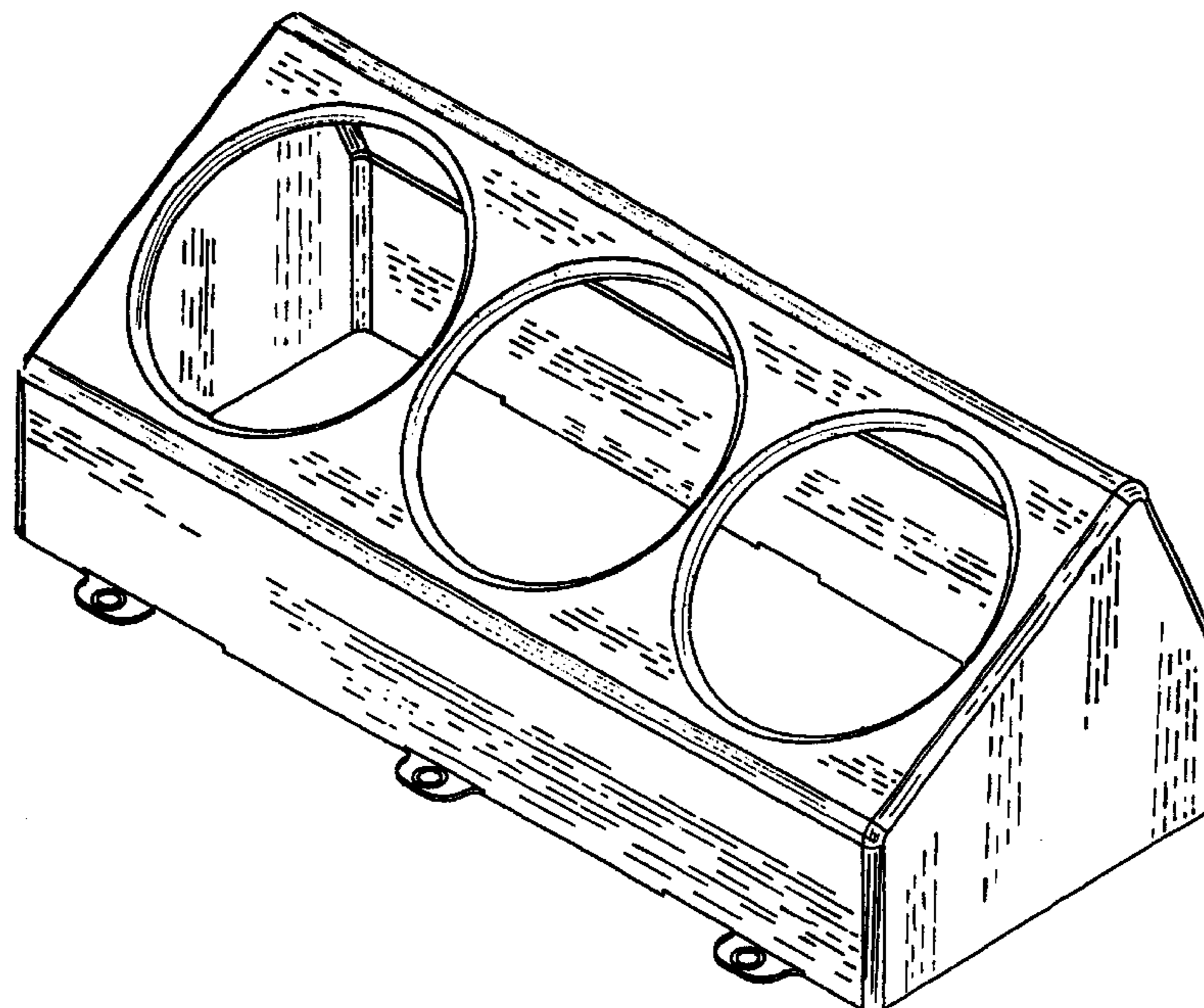
(57) **CLAIM**

The ornamental design for container storage organizer, as
shown and described.

DESCRIPTION

FIG. 1 is a perspective view of a container storage organizer
in accordance with a first embodiment of the invention
which consists of a single container storage organizer unit;
FIG. 2 is a front elevation view thereof;
FIG. 3 is an end elevational view thereof;
FIG. 4 is a top plan view thereof;
FIG. 5 is a bottom plan view thereof;
FIG. 6 is a perspective view of a container storage organizer
in accordance with a second embodiment of the invention
which embodiment is similar to the first embodiment except
for an additional container storage location;
FIG. 7 is a front elevational view of the second embodiment;
FIG. 8 is a side elevational view of the second embodiment;
FIG. 9 is a top plan view of the second embodiment; and,
FIG. 10 is a bottom plan view of the second embodiment.

1 Claim, 10 Drawing Sheets



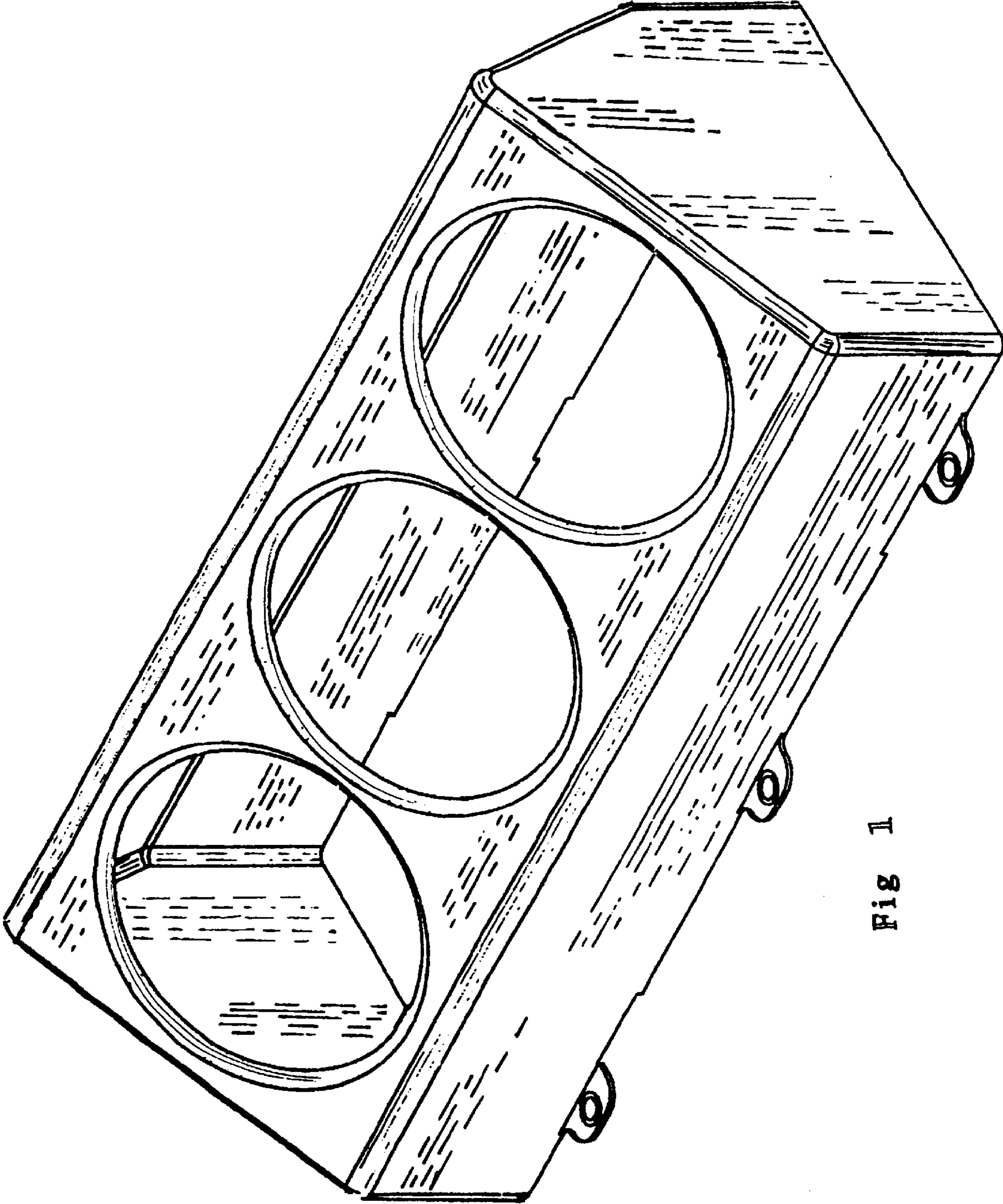


Fig 1

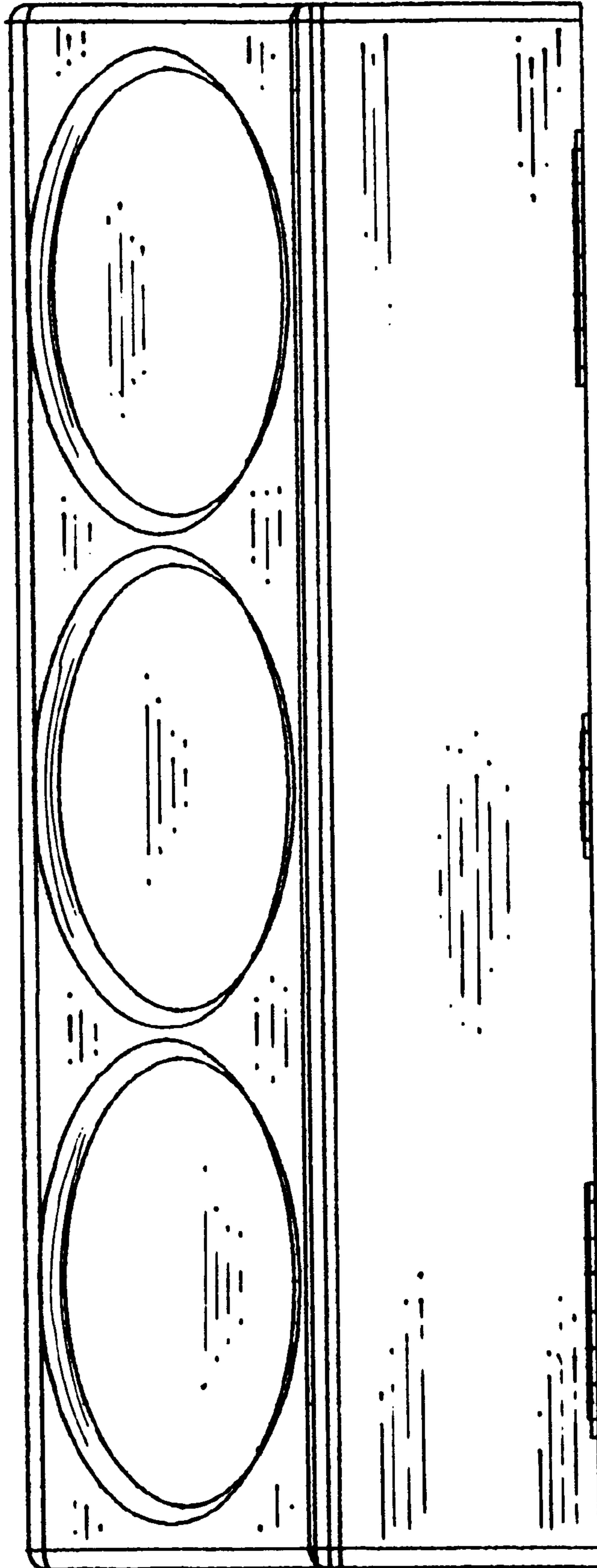


Fig 2

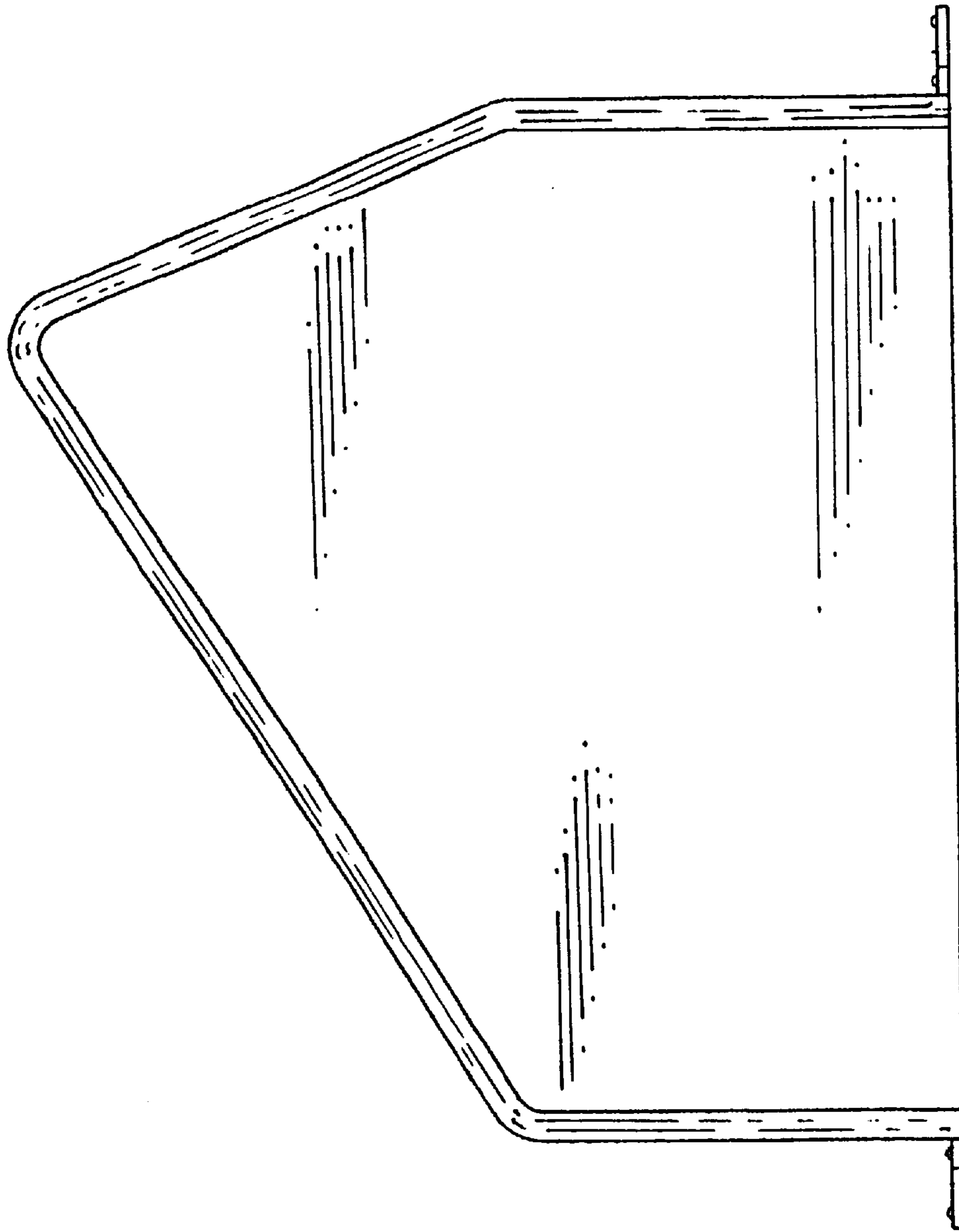


Fig 3

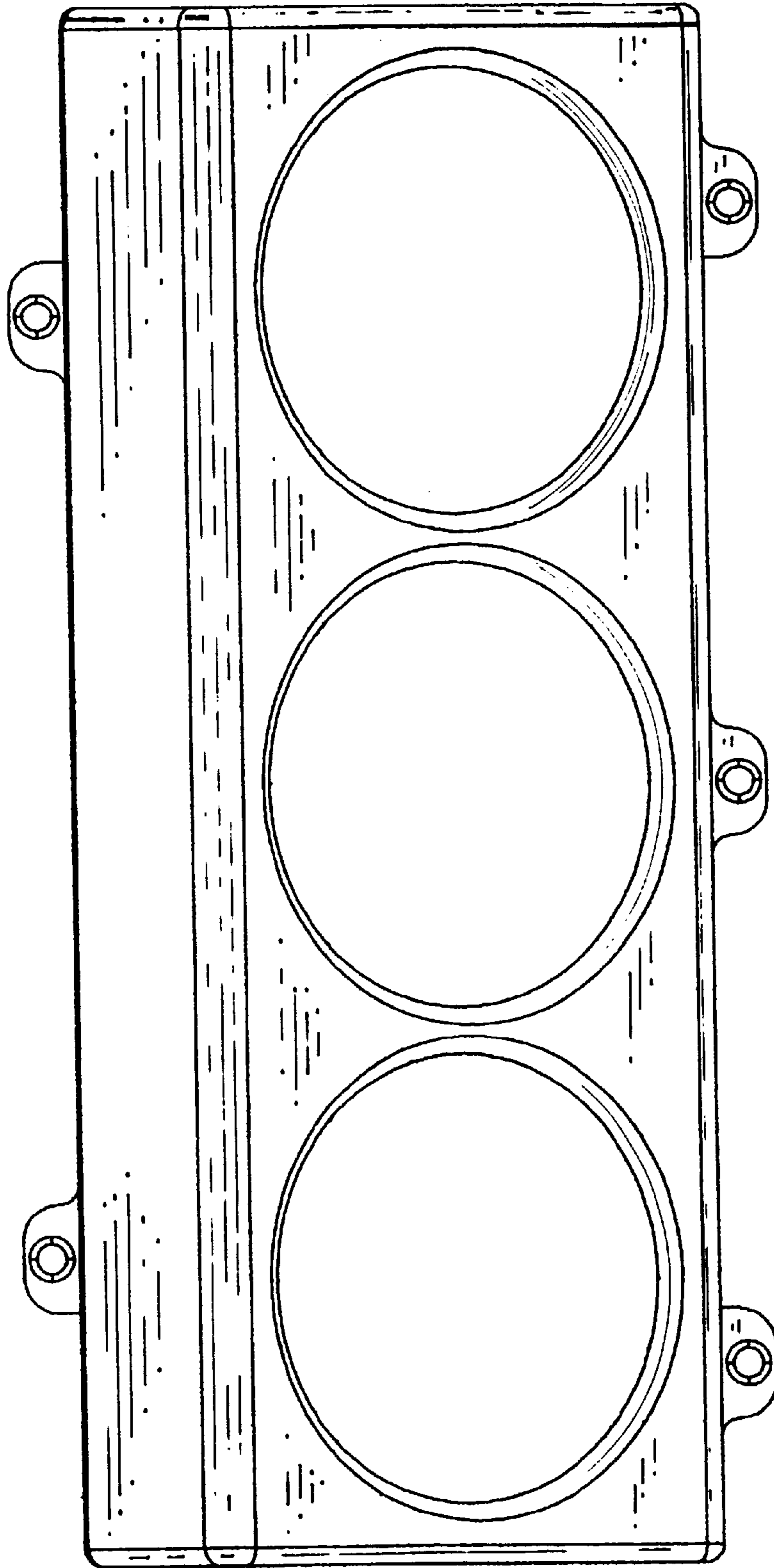


Fig 4

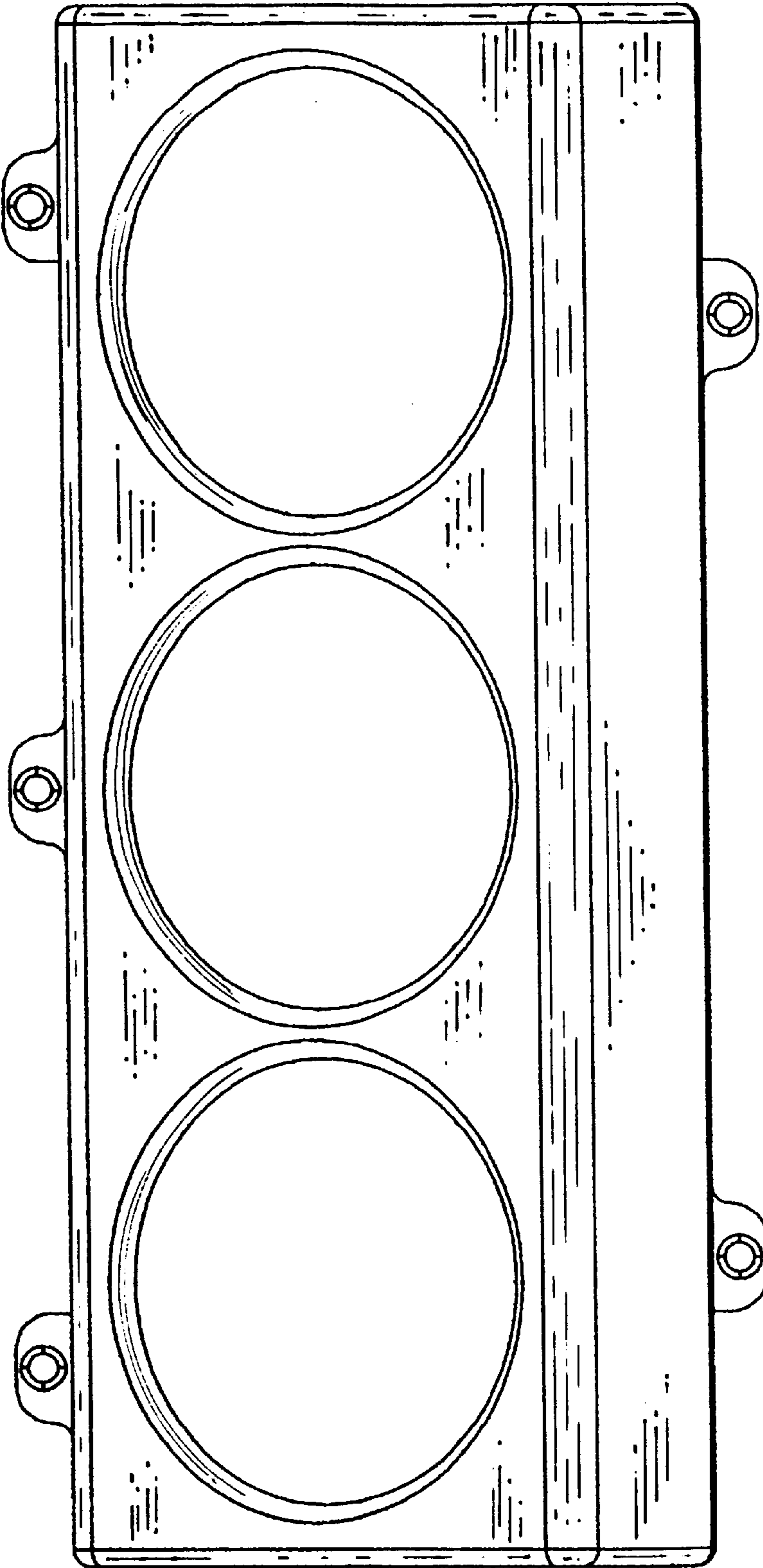


Fig 5

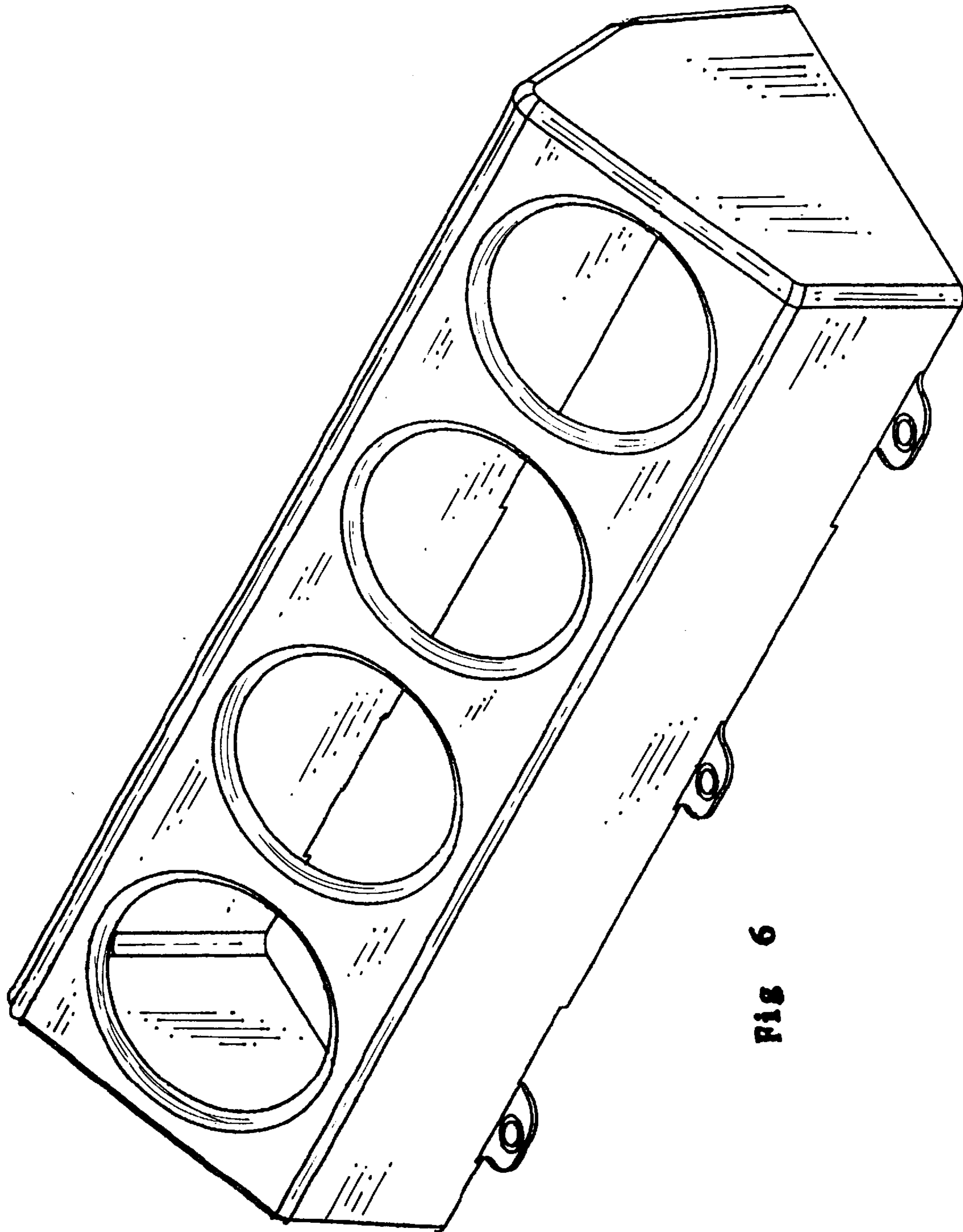


FIG 6

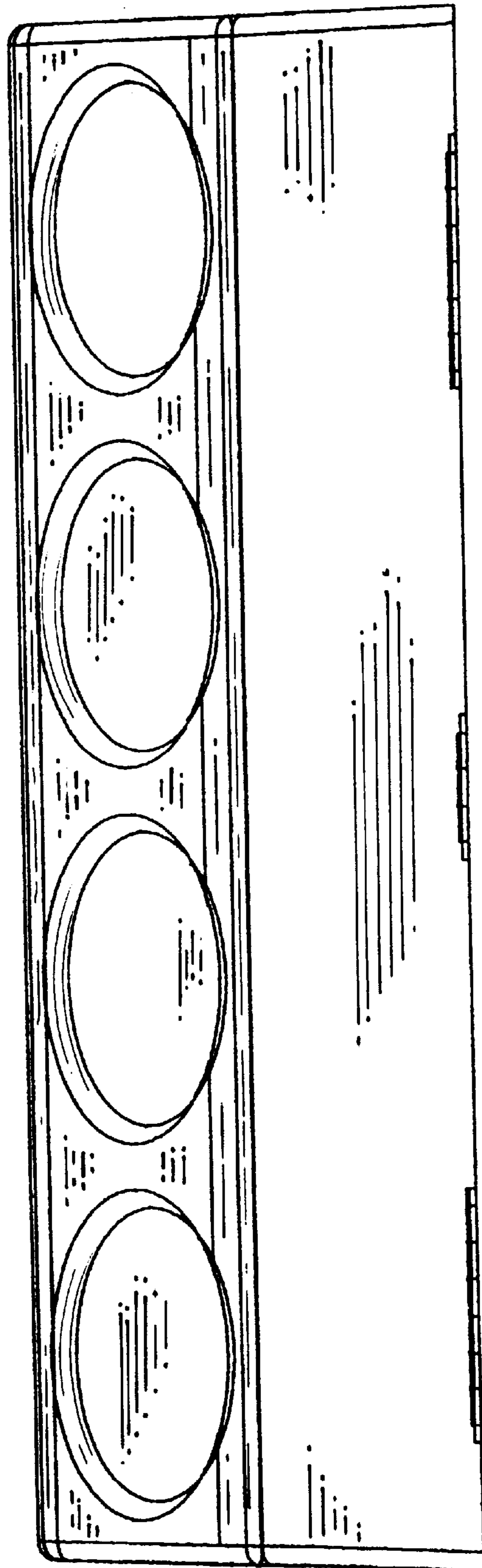
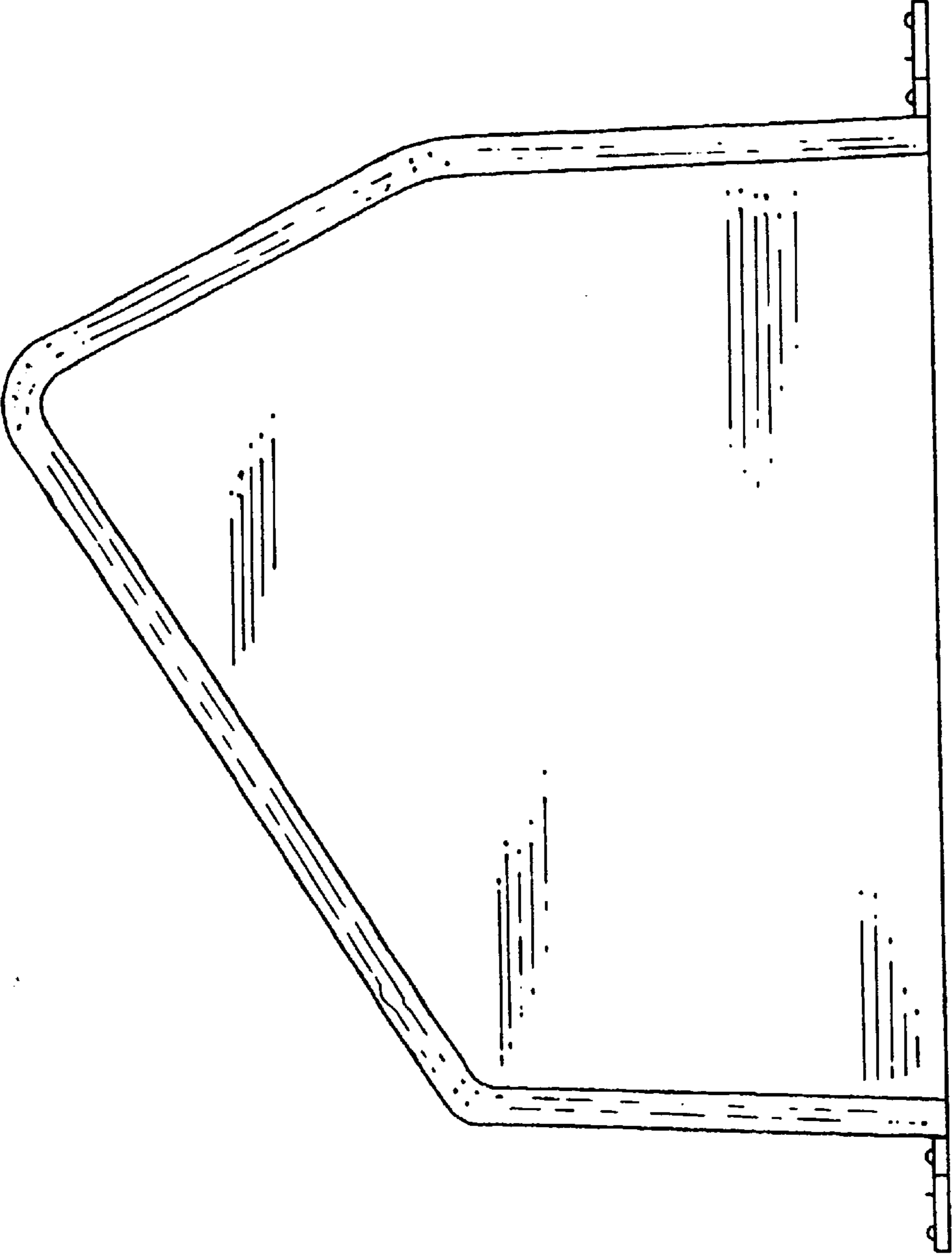


Fig 7



8

Fig

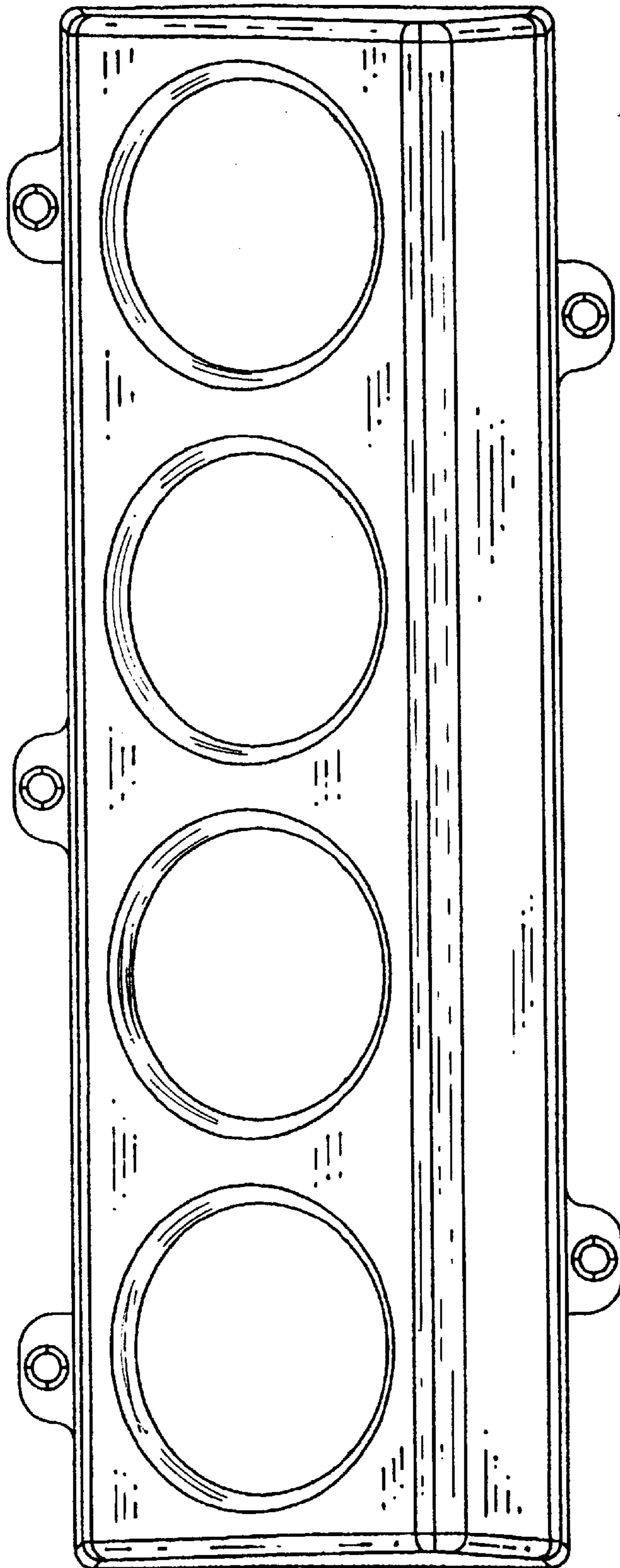


Fig 9

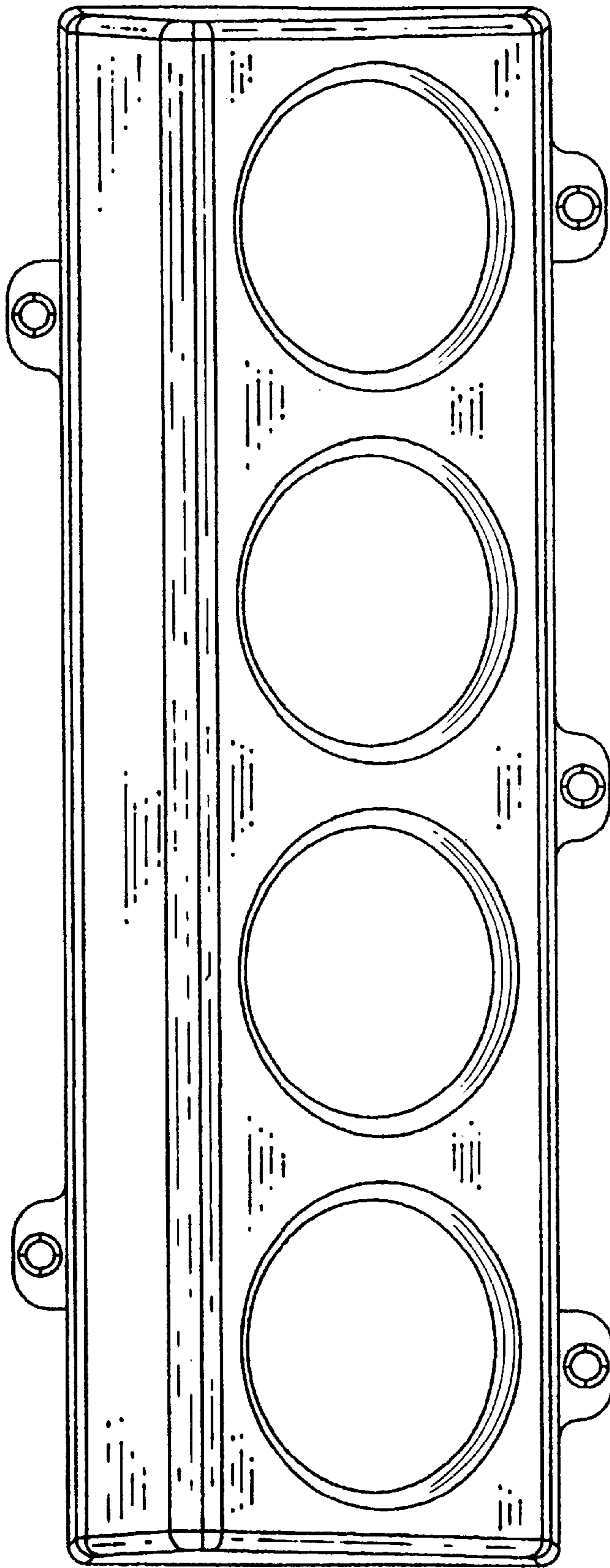


Fig 10